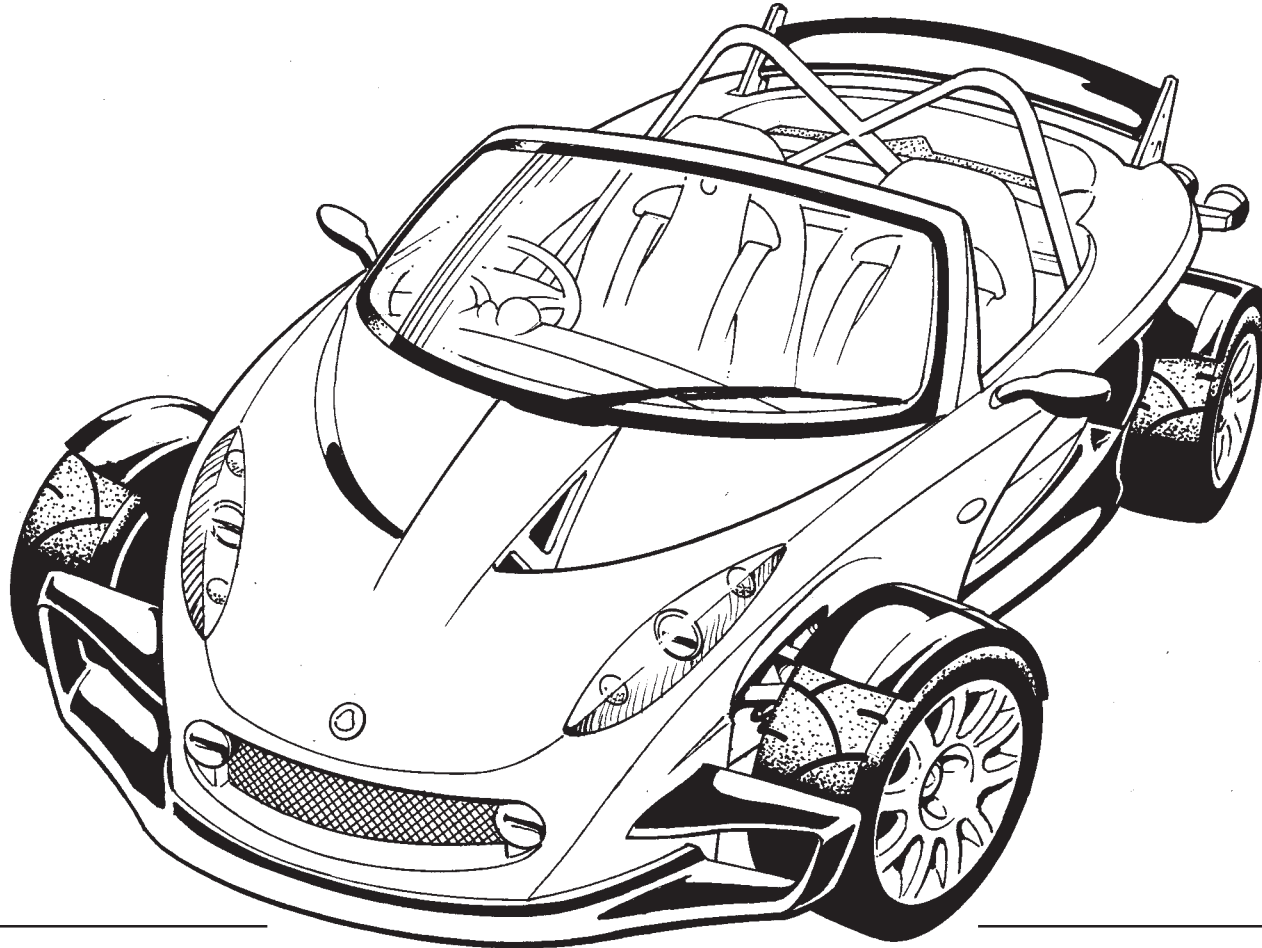




340R SERVICE PARTS LIST



Technical Publications, Lotus Cars Limited, Hethel, Norwich, Norfolk, NR14 8EZ. England.

Telephone 01953 608000 www.lotuscars.com

© Lotus Cars Ltd. 2000

Part Number A340T0325J

Updated 3rd April 2017

FOREWORD

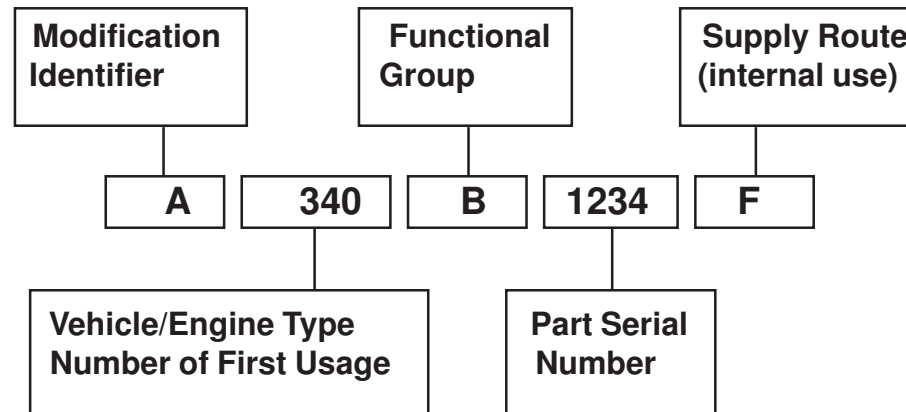
This publication has been designed for use by Lotus Dealers, and may be updated periodically by the issuing of update packages to the dealer network. Lotus policy is one of continuous product improvement and the right is reserved to alter specifications at any time without prior notice. Whilst every care has been taken to ensure correctness of information, it is impossible to guarantee complete freedom from omissions and errors, or to accept liability arising from such errors or omissions, but nothing herein contained shall affect your statutory rights.

USE OF THE PARTS LIST

This parts list covers the 340R model. 2000 model year. The manual is arranged in function groups, as defined by the Contents page.

PART NUMBERS

Part numbers used in this publication are in the format as follows:



Modification Identifier: This letter identifies a version or modification of the part. Part numbers with different prefix letters may or may not be interchangeable - refer to the remarks column.

Vehicle/Engine Type Number: The type number indicates either the model or engine type on which the part was first used.

026, 036, 045, 500....Elan	076....Eclat S1	084....Eclat S2	111....Elise
050....Elan+2	079....Esprit S1/S2/S2.2	085....Esprit S3	340....340R
046, 054, 065, 074....Europa	082....Esprit Turbo	089....Excel	
075....Elite S1	083....Elite S2	100....Elan 1990	

Functional Group: A single letter indicating the functional area of the parts first use

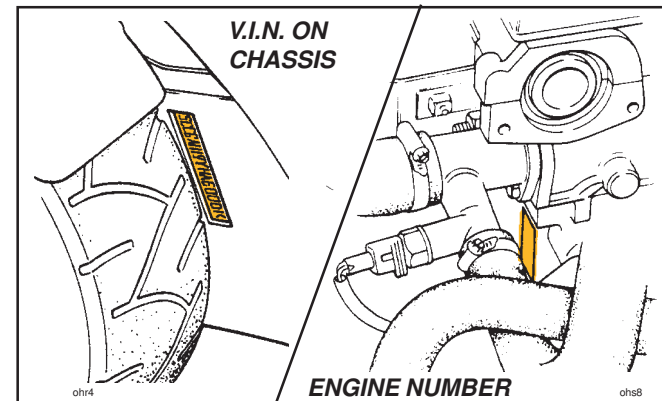
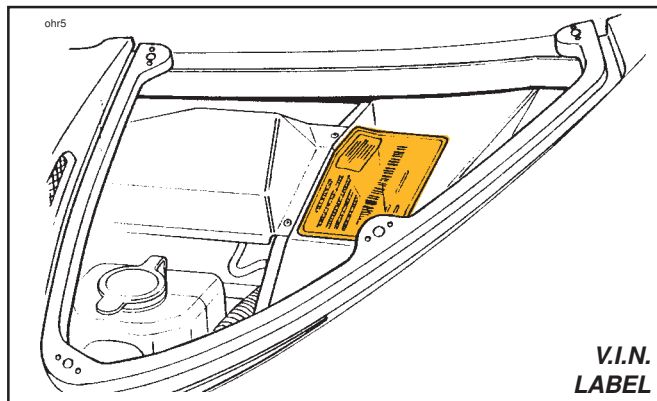
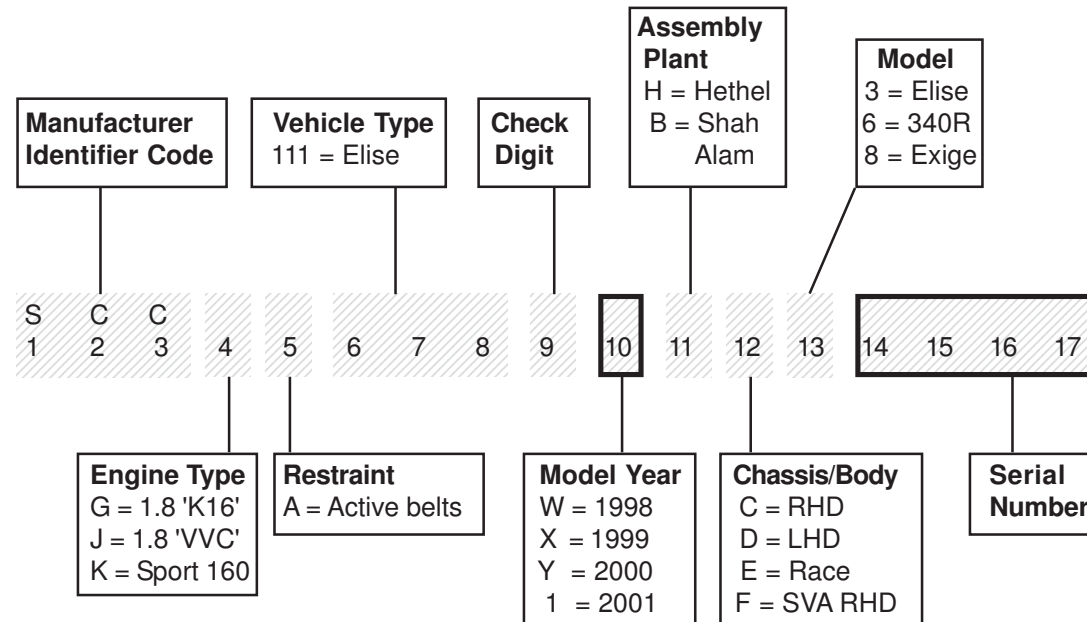
A = Chassis	E = Engine	J = Brakes	P = Heater & AC	U = Hard Trim
B = Body	F = Transmission	K = Cooling	Q = Clutch	V = Soft Trim
C = Front Suspension	G = Wheels & Tyres	L = Fuel System	R = Final Drive	W = Standard Fixings
D = Rear Suspension	H = Steering	M = Electrics	S = Exhaust	

VEHICLE IDENTIFICATION NUMBER & ENGINE NUMBER

The Vehicle Identification Number (V.I.N.) is stamped on the chassis in the right hand rear sill area, and is also printed on a label stuck to the body in the front services compartment. The engine number is marked on a vertical patch at the left hand end of the forward face of the cylinder block, and is most easily viewed using a mirror.

Both numbers should always be quoted with any vehicle enquiries, as Factory records are filed against V.I.N., and specification change points are identified by V.I.N. or engine number. The vehicle licence number may not accurately reflect vehicle age, may also be changed during the car's life, and is an unreliable method of vehicle identification.

The V.I.N. comprises 17 characters, coded in accordance with European Economic Community (EEC) directives. For change point identification in Service Notes and Service Parts Lists, characters 10 (model year) and 15 - 17, or 14 - 17 (serial number) will be quoted.



Updated 2nd June 2014



10.00 Body

- 10.01a Bodyshell
 - 10.02b Windscreen Frame, Cockpit Tub & Closing Panels
 - 10.04 Crash Structures
 - 10.09a Front Services Access Panels
 - 10.11b Engine Cover Lid
 - 10.23a Spoilers, Aerofoils & Mudguards
 - 10.23b Spoilers & Aerofoils
 - 10.25 Undertray & Diffuser
 - 10.31 Towing Strut/ Hook
-

11.00 Glazing and Seals

- 11.01a Aeroscreen
 - 11.05 Glass / Composite, Tilt Roof Panel
-

12.00 Exterior Fittings

- 12.03 Grilles and Louvres
 - 12.05 Decals, Badges & Protective Film
 - 12.07 Licence Plate Mountings
 - 12.09 Exterior Driving Mirrors
-

13.00 Seats & Seat Belts

- 13.01 Seat Runners
 - 13.02c Seat Assemblies, front
 - 13.27 Seat Belts, front
-

14.00 Pedal Box & Fascia

- 14.01 Pedal Box, Pedals, Throttle Control
 - 14.05 Fascia Structure & Supporting Hardware
-

15.00 Interior Trim

- 15.05 Interior Driving Mirror & Sunvisors
-

- 15.11 Interior Trim & Stowage Provision
 - 15.14 Interior Trims
 - 15.19 Centre Tunnel Trim, Gear Lever Gaiters/Shrouds
 - 15.30 Carpeting & Mats
-

17.00 Electrical

- 17.01 Harnesses, Leads
 - 17.03 Horn, Inertia Switch, Modules, Fuses & Relays
 - 17.05 Interior Switches, Auxiliary Power Socket
 - 17.06 Engine Management & Sensors
 - 17.07 Instruments, Tell Tales, & Displays
 - 17.12 Exterior Lamps, Incl. Headlamps
 - 17.21 Windscreen Wiper Motor, Wipers & Washers
 - 17.31 Battery, Clamps, & Cables
 - 17.33 Security Alarm System, Parking Sensors & Camera
-

18.00 Heating, Ventilation, Air Conditioning

- 18.13 Air Trunking, Ducts & Ventilators
-

19.00 Labels & Literature

- 19.01 Labels, Certificates, Literature etc.
 - 19.03 Owner's Handbooks & Service Notes Manuals
-

30.00 Chassis

- 30.01 Chassis, Subframes
 - 30.02 Seat Belt Mounting Frames, Stays
-

31.00 Suspension

- 31.01 Front Suspension, Incl. Hubs
 - 31.03 Rear Suspension, Incl. Hubs
-

32.00 Steering

- 32.01 Rack & Pinion, & Lower Column
-



32.05 Upper Column, Steering Wheel

33.00 Brakes

33.01 Brake Discs, Calipers, & Parking Brake Assembly
33.03 Master Cylinder, Servo, ABS Controller, Pipes & Hoses
33.05 Parking Brake Mechanism

34.00 Wheels & Tyres

34.01 Wheels, Tyres & Valves

40.00 Engine

40.00 Engine Assemblies
40.01 Engine Block & Oil Pick up
40.01a Engine Mounts
40.02 Gaskets & Sealants, Top Overhaul Set
40.02a Gaskets & Sealants, Bottom Overhaul Set
40.03 Sump Assembly
40.05 Cylinder Head , Valves, Springs
40.07 Camshafts, Tappets, Cam Cover
40.09 Pistons, Con-rods, Liners
40.11 Crankshaft, Bearings, Flywheel
40.13 Water Pump Assembly, Thermostat
40.15 Lubrication System
40.17 Ignition System, Spark plugs & Plug Top Coils
40.19 Alternator and Starter Motor
40.21 Exhaust Manifold

41.00 Belts and Pulleys

41.01 Camshaft Belts, Guards & Pulleys
41.03 Auxiliary Drive Belts & Pulleys

42.00 Induction Systems

42.01 Airboxes, Trunking & Air Filters
42.04 Throttle Body, Mechanism & IAC Valve
42.05 Fuel Injection System

43.00 Emission Equipment

43.03 Vacuum System, Hoses, Pipes & Fittings

44.00 Fuel System

44.01 Fuel Tanks, Filler
44.03 Fuel Pump; Filter, Pipes
44.05 Charcoal Canister & Evaporative Loss System.

45.00 Exhaust

45.01 Exhaust System
45.05 Heatshields

46.00 Cooling

46.01 Engine Cooling System & Fan
46.03 Oil Cooler/Heat Exchanger & Pipes
46.03b Oil Coolers, Pipes & Hoses, V8

47.00 Transmission

47.01 Clutch & Release Mechanism
47.03 Transmission Assembly
47.05 Gearchange Mechanism, External
47.06 Gear Selector Mechanism, Internal
47.07 Gears, Shafts & Bearings
47.11 Final Drive & Bearings
47.15 Driveshafts & Seals

60.00 Special tools

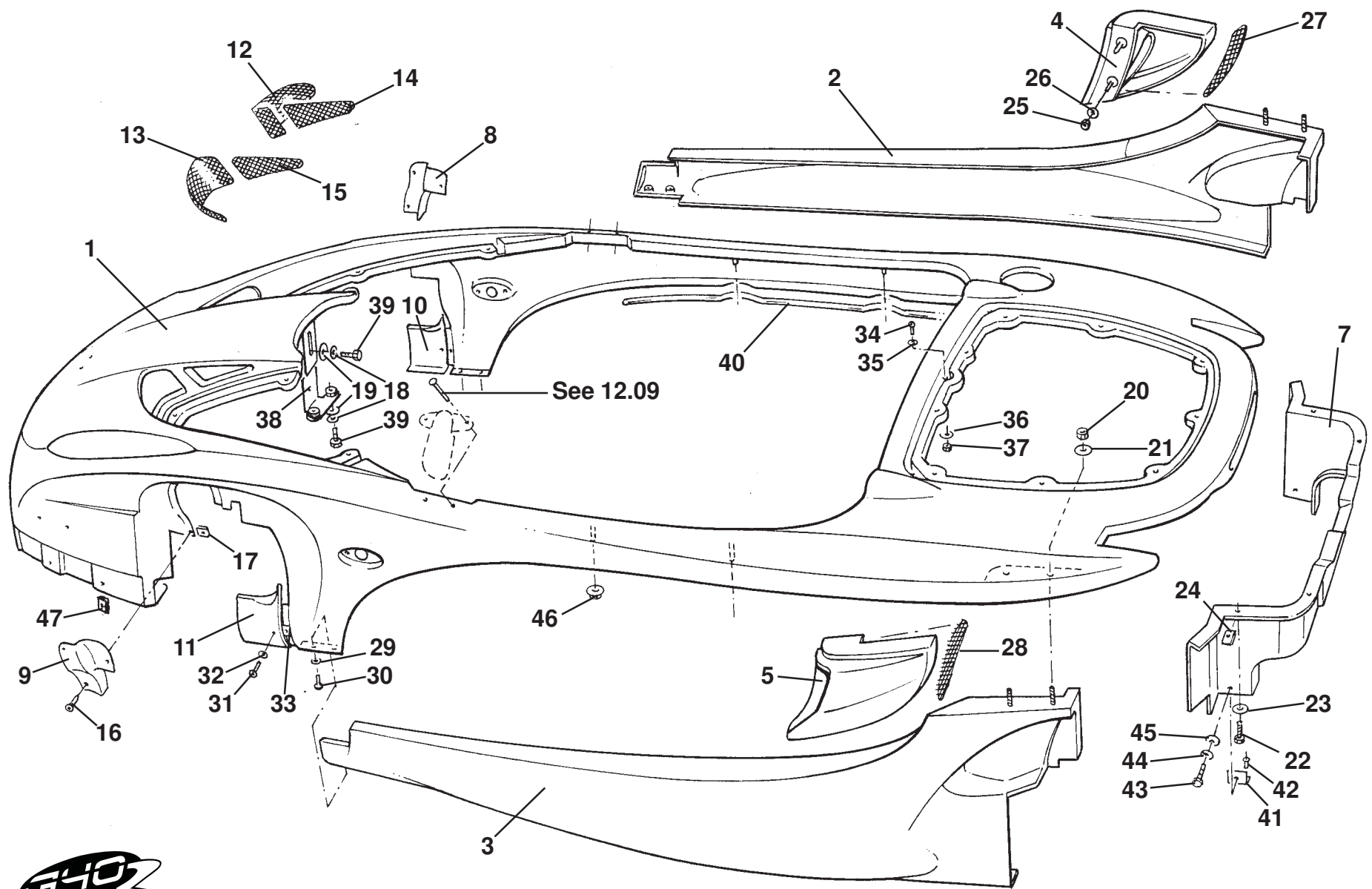
60.01 Tool Kit
60.01a Diagnostic Equipment



60.01b Diagnostic Equipment, Scan III

80.00 Bulk Items

80.20a Touch-in Paint Pencil Range



See 12.09



10.01a

Service Parts List



Function Code 10.01a Bodyshell

<u>Dep</u>	<u>Part Description</u>	<u>Remarks</u>	<u>Option</u>	<u>Part Number</u>	<u>Qty</u>
01	Topshell			A340B0016J	1
02	Sill Panel. RH			A340B0006K	1
03	Sill Panel. LH			A340B0007K	1
04	Side Intake Duct, RH			A340B0104K	1
05	Side Intake Duct, LH			A340B0103K	1
07	Rear Engine Wall			A340B0114K	1
08	Access Panel, bulb replacement, RH			A340B0162K	1
09	Access Panel, bulb replacement, LH			A340B0161K	1
10	Toe Panel, front topshell, RH	Bonded to chassis		A340B0228K	1
11	Toe Panel, front topshell, LH	Bonded to chassis		A340B0227K	1
12	Grille, outlet, front, RH			A340B0140F	1
13	Grille, outlet, front, LH			A340B0141F	1
14	Grille, outlet, side, RH			A340B0138F	1
15	Grille, outlet, side, LH			A340B0139F	1
16	Screw, M5, pan hd. pozi., access panel fix.			A082W7173F	6
17	Spirenut, M5			B100W6372F	6
18	Washer, shakeproof, M8			A075W4048Z	3
19	Washer, flat, M8			A075W4020Z	3



Function Code 10.01a Bodyshell

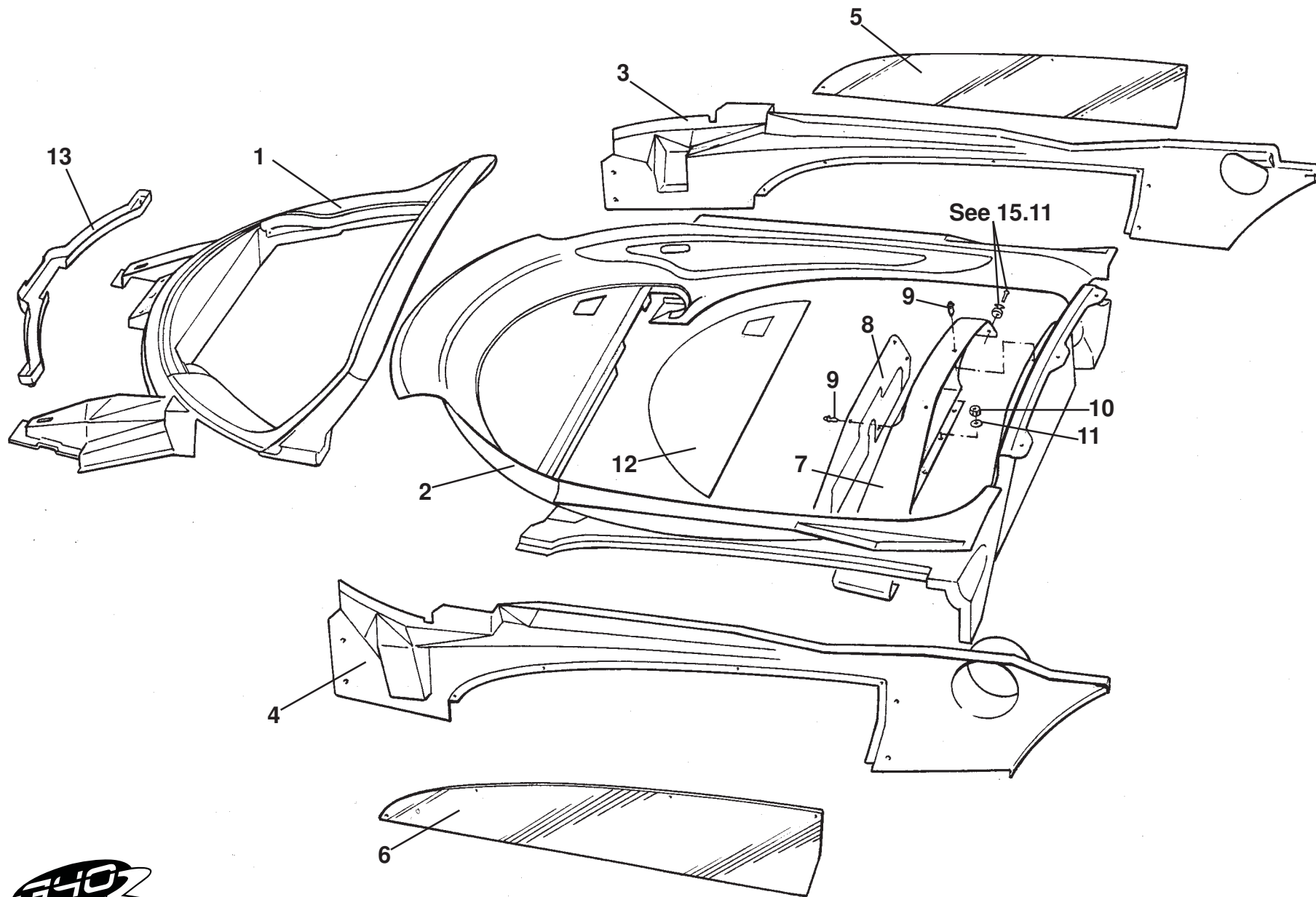
<u>Dep</u>	<u>Part Description</u>	<u>Remarks</u>	<u>Option</u>	<u>Part Number</u>	<u>Qty</u>
20	Nyloc Nut, M6, topshell to sill panel			A075W3009Z	4
21	Washer, flat, M6			A075W4017Z	4
22	Setscrew, M5 x 16. hex. hd. S/S, wall to topshell			A111W1163F	4
23	Washer, flat, M5,			B075W4009Z	4
24	Spirenut			B100W6372F	4
25	Nyloc Nut, M6, intake fix.			A075W3009Z	4
26	Washer, flat, M6			A075W4017Z	4
27	Grille. side intake duct. RH		A340B0144F R/B	B340B0144F	1
28	Grille. side intake duct. LH		A340B0145F R/B	B340B0145F	1
29	Screw, M5 x 20, button, skt. hd., topshell to sill			A082W7173F	4
30	Washer, flat, M5			B075W4009Z	4
31	Screw, M5 x 20, button, skt. hd., topshell to toe panel			A082W7173F	2
32	Washer, flat, M5 S/S			A340W4185F	2
33	Spirenut			B100W6372F	2
34	Screw, M5 x 20, button skt. hd., topshell to bulkhead			A082W7173F	3
35	Escutcheon, screw to topshell		B340B0123F R/B	A340W4185F	3
35a	Washer, self adhesive, escutcheon to topshell	Not illustrated		A340B0136F	3
36	Washer, flat, M5	Replaces item 35		A340W4185F	3
37	Nyloc Nut			A340W3169F	3
38	Bracket, front topshell fix.			B340B0130F	1
39	Screw, M8 x 25, cap, hd. bracket to topshell			A075W7024F	3



Function Code 10.01a Bodyshell

<u>Dep</u>	<u>Part Description</u>	<u>Remarks</u>	<u>Option</u>	<u>Part Number</u>	<u>Qty</u>
40	Edging Strip, topshell flange			A111U6034V	1
41	Bracket, engine wall to subframe			A111U0167F	2
42	Pop Rivet, bracket to subframe			A075W6069Z	4
43	Screw, M5 x 16 hex. hd. S/S, bracket to wall			A111W1163F	2
44	Washer, spring, M5			A082W4097F	2
45	Washer, flat, M5			B075W4009Z	2
46	Phyloc Nut, topshell fix.			A340W3168F	4
47	Spirenut, M5, topshell to front spoiler fix			B100W6372F	7
48	Studplate, topshell rear fixing	Bonded to topshell		B340B0025F	2
49	Studplate, topshell forward fixing	Bonded to topshell		B340B0026F	2





10.02b

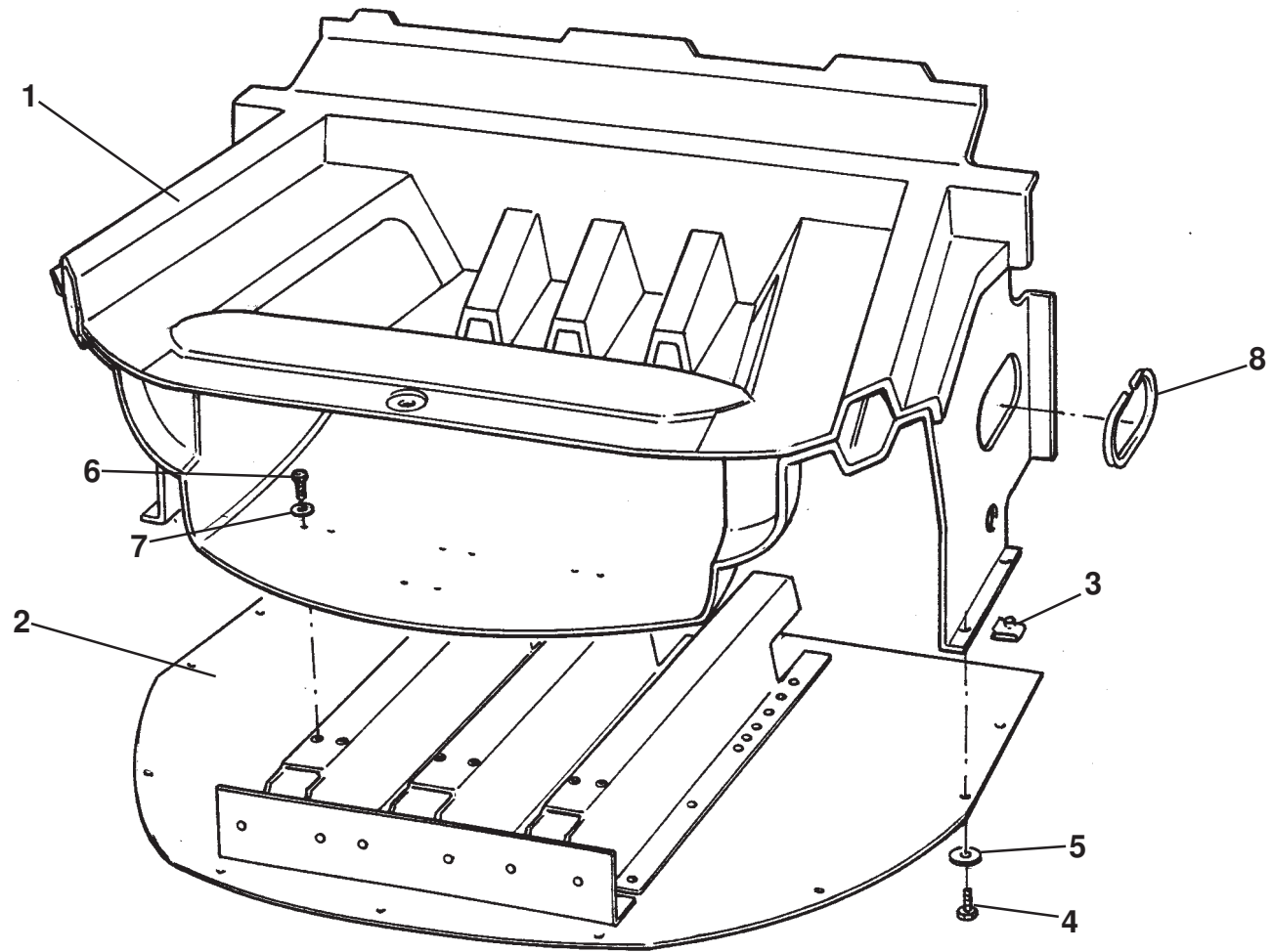
Service Parts List



Function Code 10.02b Windscreen Frame, Cockpit Tub & Closing Panels

<u>Dep</u>	<u>Part Description</u>	<u>Remarks</u>	<u>Option</u>	<u>Part Number</u>	<u>Qty</u>
01	Windscreen Frame			A340B0095K	1
02	Cockpit Tub, RHD			A340B0709K	1
02a	Cockpit Tub, LHD			A340B0069K	1
03	Side Closing Panel, RH			A340B0120K	1
04	Side Closing Panel, LH			A340B0119K	1
05	Cockpit Side Screen, RH			A340B0066F	1
06	Cockpit Side Screen, LH			A340B0065F	1
07	Rear Bulkhead Cover/Electronics Housing			A340B0116K	1
08	Access Lid, rear bukhead cover			A340B0114K	1
09	Plastic Fastener			A111W6534F	8
10	Nyloc Nut, M5			A100W3113F	4
11	Washer, flat, M5			B075W4009Z	4
12	Mat, fascia top, RHD			A340V0026K	1
12a	Mat, fascia top, LHD			A340V0025K	1
13	Gutter, windscreen frame			A111B0106K	1





10.04

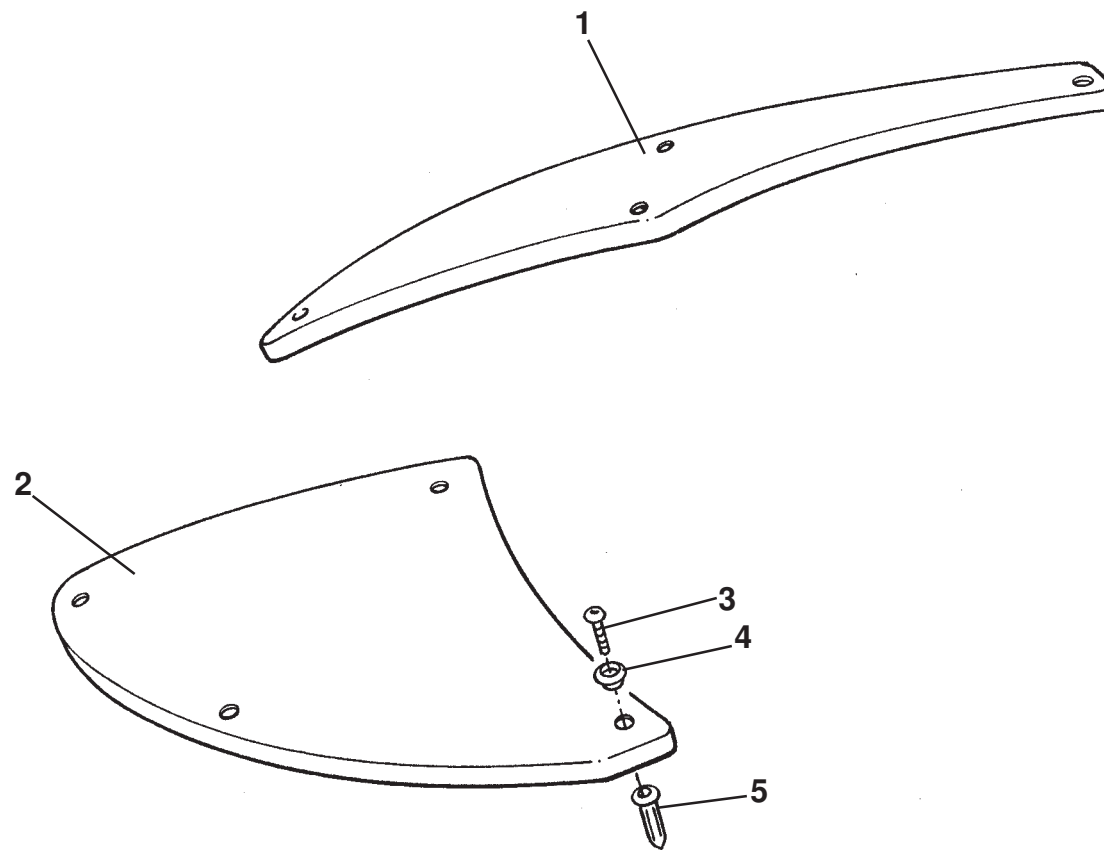
Service Parts List



Function Code 10.04 Crash Structures

<u>Dep</u>	<u>Part Description</u>	<u>Remarks</u>	<u>Option</u>	<u>Part Number</u>	<u>Qty</u>
01	Front Crash Structure, upper, composite			A340B0015J	1
02	Crash Structure Reinforcement/Front Undershield, alioy			E340B0036F	1
03	Spirenut, M5			B100W6372F	9
04	Setscrew, M5 x 25, hex. hd., crash stucture to u/shield			A340W1168F	9
05	Washer, flat, M5			A340W4185F	9
06	Setscrew, M6 x 25, hex. hd., crash stucture to u/shield			A075W1028Z	6
07	Washer, flat, M6			A075W4015Z	6
08	Edging Strip, hose protection	For two holes		A111U6034F	0.3m
09	Betaseal 1701, crash structure bonding	Not illustrated		A082B6281F	300mm





10.09a

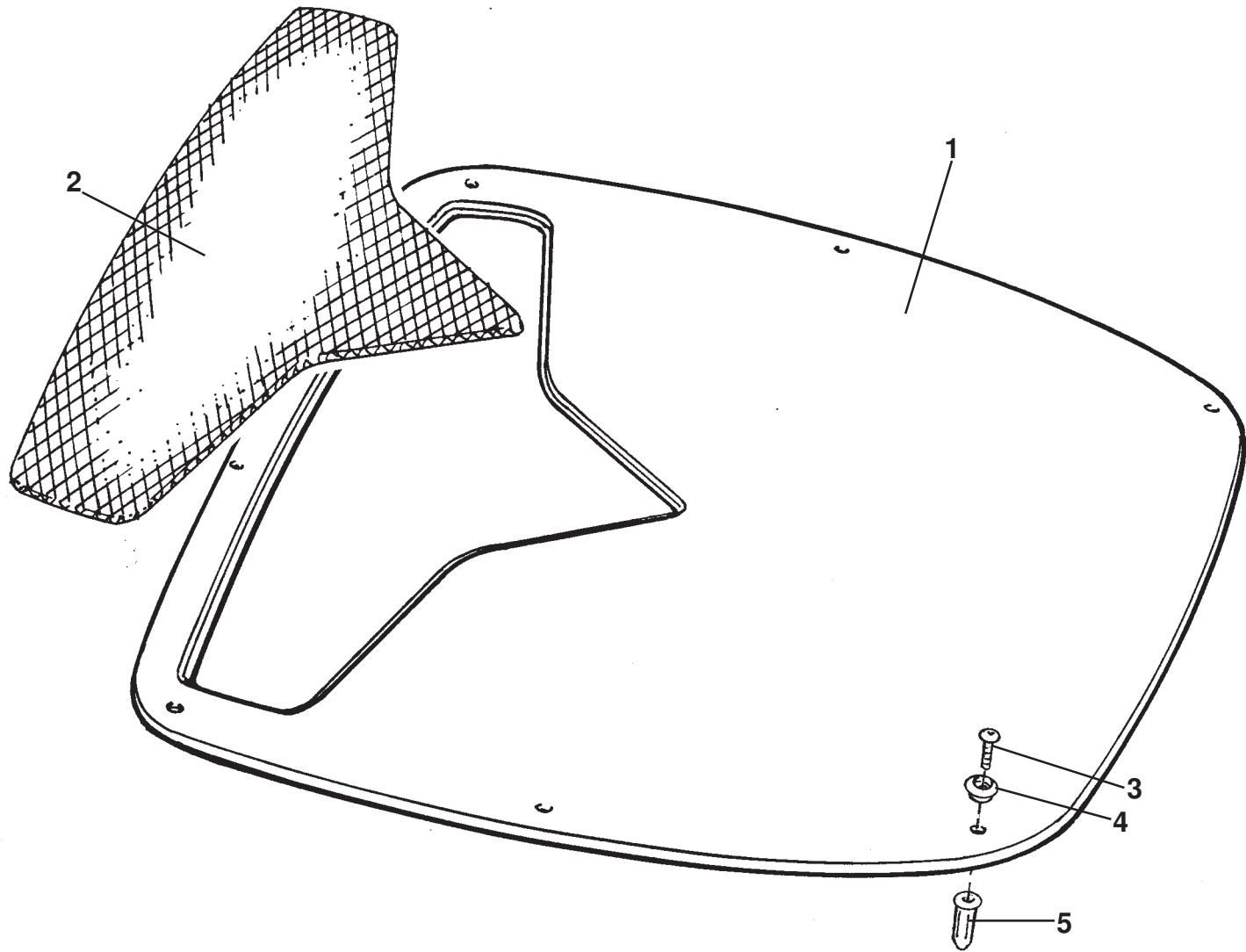
Service Parts List



Function Code 10.09a Front Services Access Panels

<u>Dep</u>	<u>Part Description</u>	<u>Remarks</u>	<u>Option</u>	<u>Part Number</u>	<u>Qty</u>
01	Access Panel, front services, RH			A340B0108K	1
02	Access Panel, front services, LH			A340B0107K	1
03	Screw, M5 x 20, button. skt. hd., panel fix.			A082W7173F	8
04	Escutcheon, screw to panel			B340B0123F	8
05	Jacknut	Fitted in topshell		A076W3043F	8
06	Washer, retaining, screw to panel	Not illustrated		A340W4183F	8





10.11b

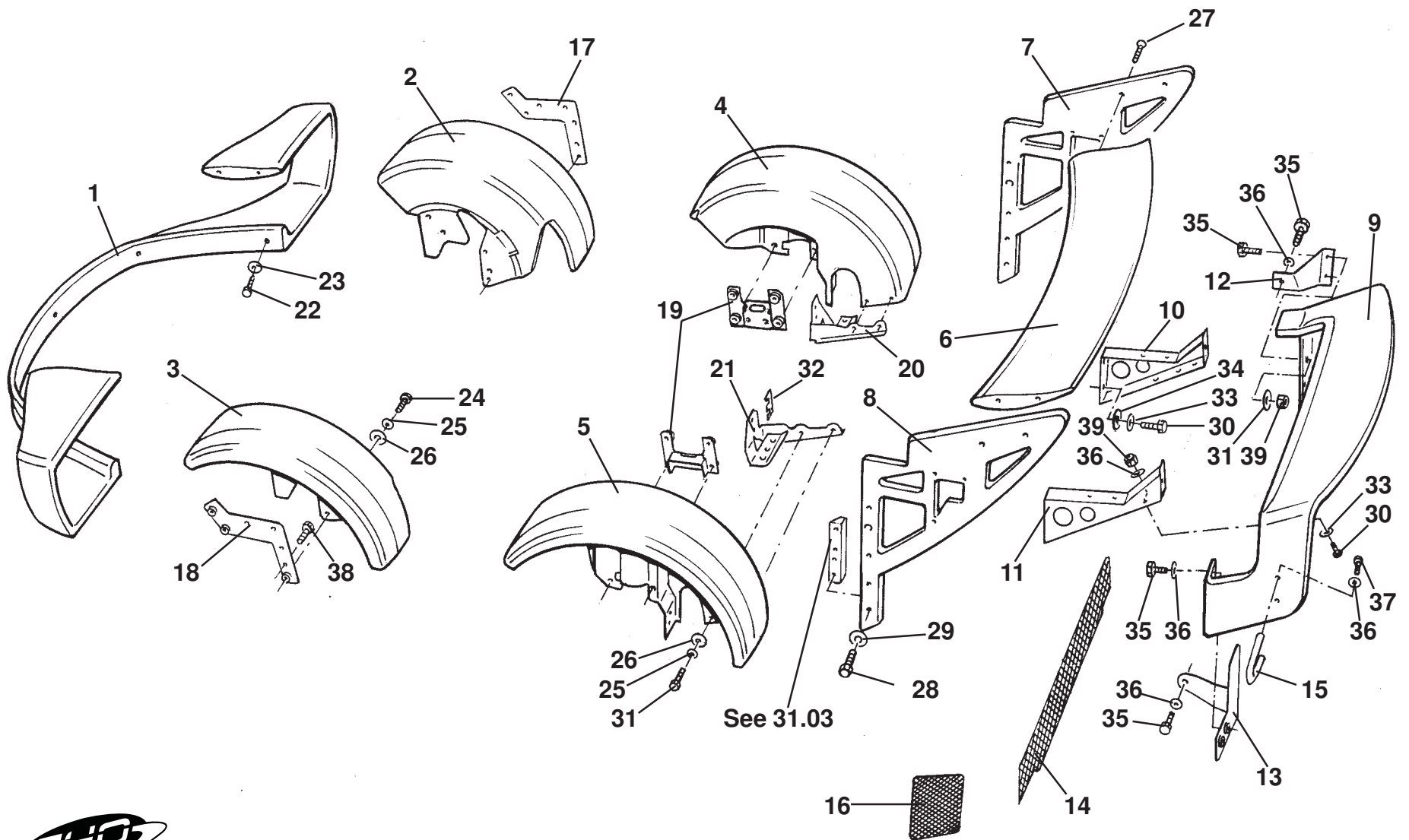
Service Parts List



Function Code 10.11b Engine Cover Lid

<u>Dep</u>	<u>Part Description</u>	<u>Remarks</u>	<u>Option</u>	<u>Part Number</u>	<u>Qty</u>
01	Engine Cover Lid			A340B0024K	1
02	Grille, engine cover lid	Bonded to cover		A340B0146F	1
03	Screw, M5 x 20, button, skt. hd., engine cover fix.			A082W7173F	9
04	Escutcheon, screw to cover			B340B0123F	9
05	Jacknut	Fitted in topshell		A076W3043F	9
06	Washer, retaining, screw to panel	Not illustrated		A340W4183F	9





10.23a

Service Parts List



Function Code 10.23a Spoilers, Aerofoils & Mudguards

<u>Dep</u>	<u>Part Description</u>	<u>Remarks</u>	<u>Option</u>	<u>Part Number</u>	<u>Qty</u>
01	Front Spoiler/Splitter			A340B0075K	1
02	Front Mudguard, carbon fibre, RH			A340B0038F	1
02a	Front Mudguard, composite, RH		Primed	B340B0240F	1
03	Front Mudguard, carbon fibre, LH			A340B0037F	1
03a	Front Mudguard, composite, LH		Primed	B340B0241F	1
04	Rear Mudguard, carbon fibre, RH			A340B0040F	1
04a	Rear Mudguard, composite, RH		Primed	B340B0242F	1
05	Rear Mudguard, carbon fibre, LH			A340B0039F	1
05a	Rear Mudguard, composite, LH		Primed	B340B0243F	1
06	Rear Aerofoil			A340B0077K	1
07	Aerofoil Support Plate, RH			B340B0022F	1
08	Aerofoil Support Plate, LH			B340B0027F	1
09	Rear Mid-Spoiler/Shroud			A340B0079K	1
10	Mounting Bracket, spoiler/shroud, RH			B340B0052F	1
11	Mounting Bracket, spoiler/shroud, LH			B340B0055F	1
12	Steady Bracket, spoiler/shroud, RH			B340B0050F	1
13	Steady Bracket, spoiler/shroud, LH			B340B0051F	1
14	Guard, spoiler/shroud centre	Bonded to spoiler/shroud		A340B0147F	1



Function Code 10.23a Spoilers, Aerofoils & Mudguards

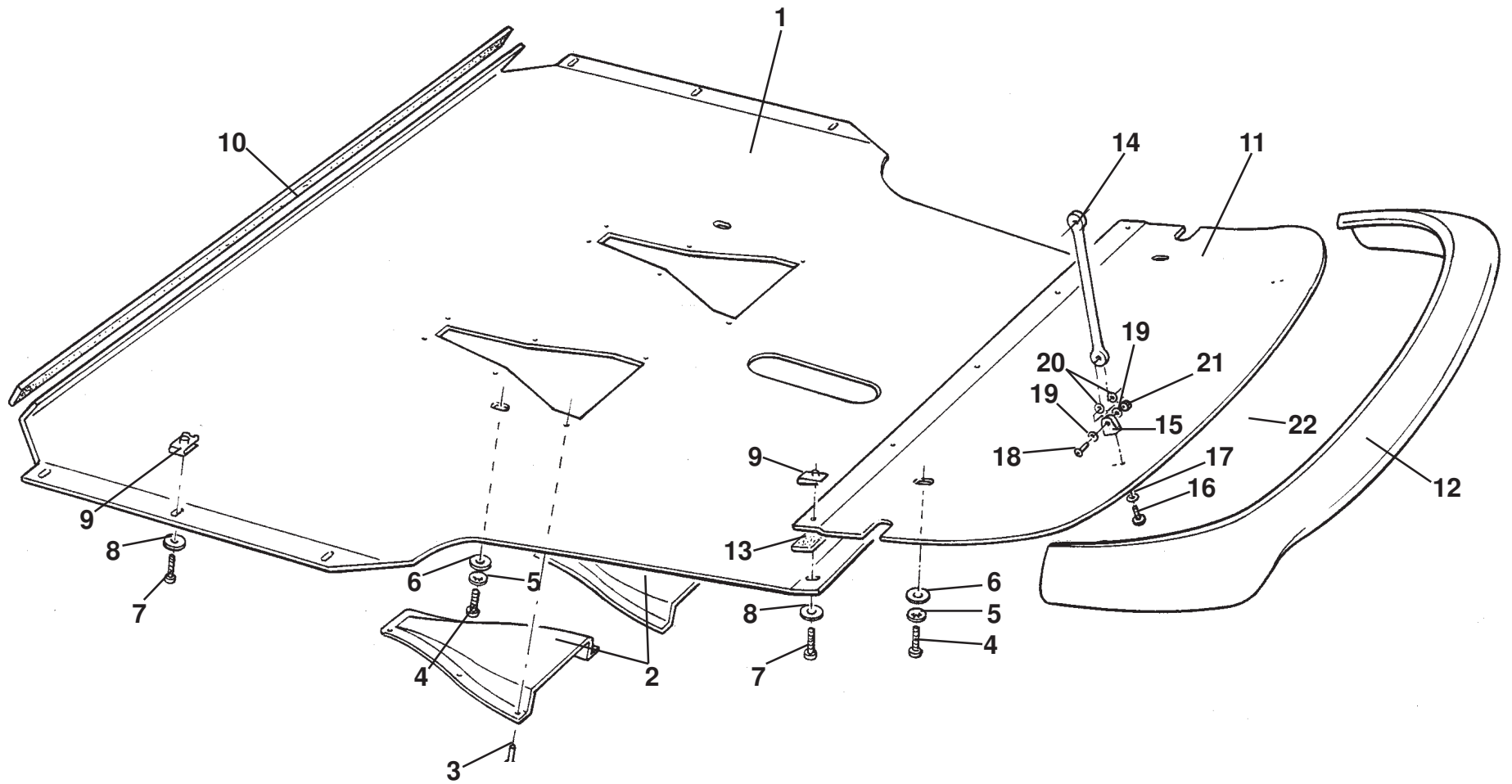
<u>Dep</u>	<u>Part Description</u>	<u>Remarks</u>	<u>Option</u>	<u>Part Number</u>	<u>Qty</u>
15	Guard Hoop, outer spoiler/shroud			A340B0126F	2
16	Guard, exhaust, LH	Bonded to spoiler/shroud		A340B0148F	1
17	Bracket, front mudguard mounting, RH			A340B0044F	1
18	Bracket, front mudguard mounting, LH			A340B0045F	1
19	Bracket, upper rear mudguard mounting			B340B0043F	2
20	Bracket, lower rear mudguard mounting, RH			B340B0250F	1
21	Bracket, lower rear mudguard mounting, LH			B340B0251F	1
22	Setscrew, M5 x 16, hex. hd. spoiler/splitter to topshell			A111W1163F	7
23	Washer, flat, M5			B075W4009Z	7
24	Setscrew, M6 x 20, hex. hd., front mudguards fix.			A100B0854F	6
25	Washer, spring, M6			A075W4035Z	22
26	Washer, flat, M6			A075W4017Z	22
27	Screw, M8 x 40, csk. skt. hd. spoiler to plate			A340W7193F	4
28	Screw, M10 x 35, hex. hd. plate to chassis			A075W2051Z	2
29	Washer, flat, M10			A075W4027Z	2
30	Setscrew, M8 x 20, hex. hd.			A075W1038Z	8
31	Setscrew, M6 x 18, hex. hd., rear mudguards fix.			A075W1029Z	16
32	Shim Plate, lower mudguard to bracket			A340B0248F	As req.
33	Washer, spring, M8			A075W4036Z	8
34	Washer, flat, M8			A075W4020Z	4
35	Setscrew, M6 x 25, hex. hd.			A075W1031F	8



Function Code 10.23a Spoilers, Aerofoils & Mudguards

<u>Dep</u>	<u>Part Description</u>	<u>Remarks</u>	<u>Option</u>	<u>Part Number</u>	<u>Qty</u>
36	Washer, flat, M6			A075W4013Z	8
37	Screw, M6 x 12, hex. hd. guard fix.			A075W1027Z	4
38	Setscrew, M6 x 25, hex. hd. bracket to hub carrier			A075W1031F	2
39	Nyloc Nut, M6			A075W3009Z	4
40	Bracket Kit, rear mudguard lower	Comprises: items 20,21, 25,26, 31, 32, see S/B 2000/15		A340B0253S	1





10.25

Service Parts List



Function Code 10.25 Undertray & Diffuser

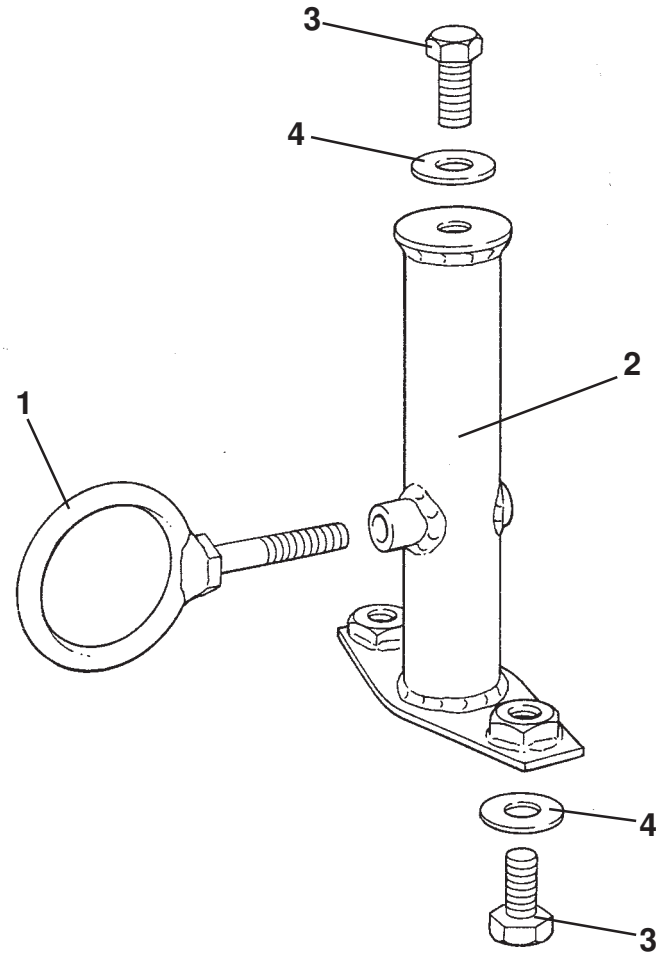
<u>Dep</u>	<u>Part Description</u>	<u>Remarks</u>	<u>Option</u>	<u>Part Number</u>	<u>Qty</u>
01	Undertray	Without NACA ducts		A340A0020F	1
01a	Undertray Assembly	With NACA ducts		A111A0220J	1
02	NACA Duct	Part of item: 1a		A111A0218K	2
03	Pop rivet, duct fixing			A075W6065Z	12
04	Screw, M8 x 25, button hd.			A111W7115F	4
05	Washer, spring, M8			A075W4036Z	4
06	Washer, flat, M8 x 25 x 1.4			A111W4156F	4
07	Screw, M5 x 16, hex. hd.			A111W1163F	16
08	Washer, flat, M5 x 25 x 1.4			A082W4098F	16
09	Spire Nut, M5			B100W6372F	16
10	Foam Strip, self adhesive, 10mm x 6mm			A100B0431V	As req.
11	Diffuser			B340A0016F	1
11a	Diffuser Assembly	Includes item 12		A340B0020K	1
12	Finisher Moulding, diffuser	Bonded to diffuser		A340B0081K	1
13	Foam Strip, self adhesive, 19mm x 03mm			A082U6067F	3
14	Support Strut, diffuser			B340A0022F	2
15	Bracket, strut fixing			A340A0023F	4
16	Screw, M5 x 8, button hd., bracket fixing			A340W7183F	8



Function Code 10.25 Undertray & Diffuser

<u>Dep</u>	<u>Part Description</u>	<u>Remarks</u>	<u>Option</u>	<u>Part Number</u>	<u>Qty</u>
17	Washer, flat, M5			A111W4168F	4
18	Screw, M6 x 25, button hd., bracket to strut			A340W7189F	4
19	Washer, flat, M6			A075W4015Z	8
20	Washer, lock, M6			A075W4046Z	8
21	Dome Nut, M6			A340W3167F	4
22	Screw, no.6 x 1/4", self tapping, pan pozi.			A075W5010Z	5





10.31

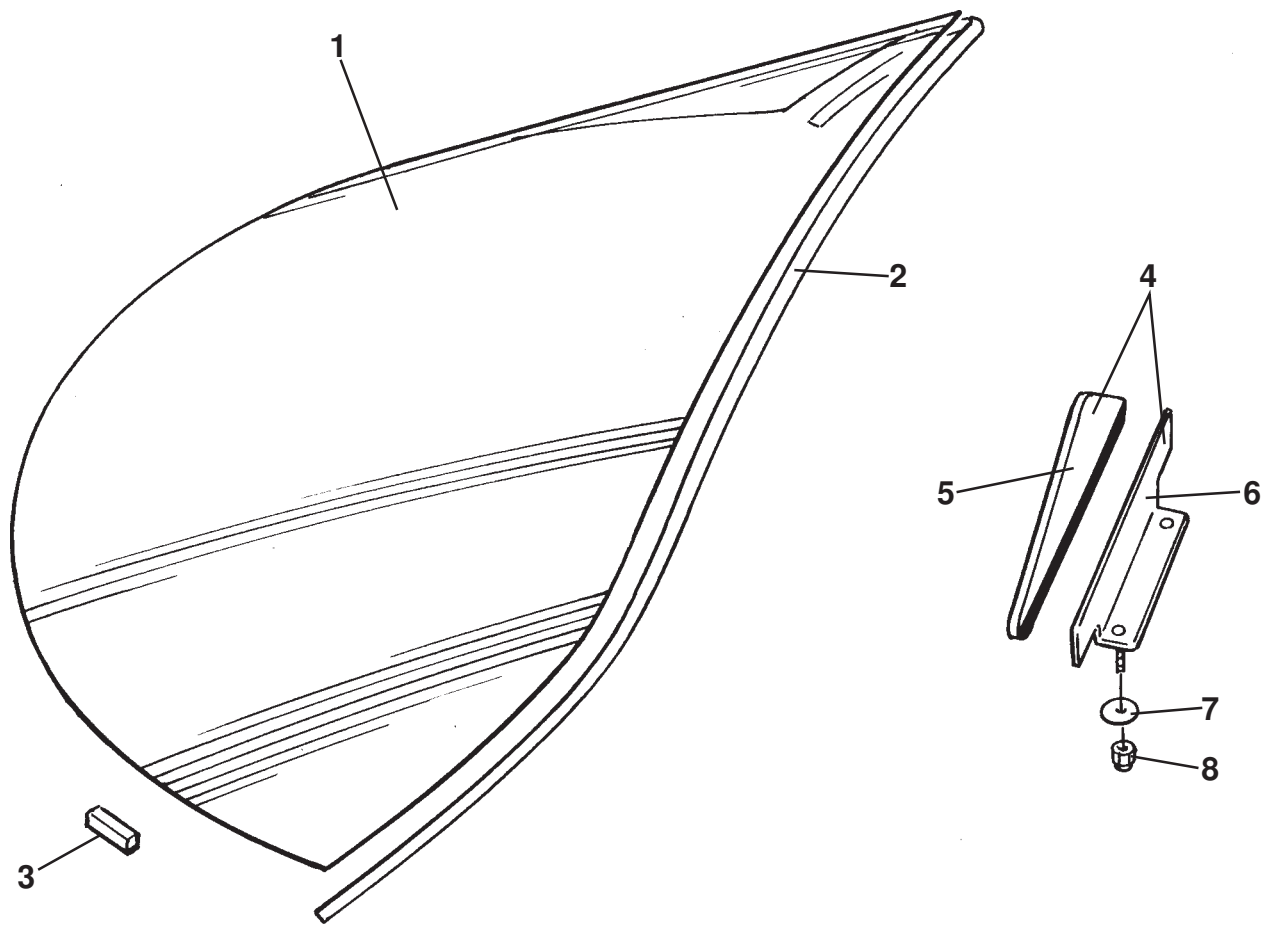
Service Parts List



Function Code 10.31 Towing Strut/ Hook

<u>Dep</u>	<u>Part Description</u>	<u>Remarks</u>	<u>Option</u>	<u>Part Number</u>	<u>Qty</u>
01	Towing Eye			A111B0399F	1
02	Mounting Strut, towing eye			A111U0456F	1
03	Setscrew, M8 x 35, hex. hd., grade 8.8 Zn			A075W1035Z	3
04	Washer, flat, M8 x 1.4 Zn			A075W4021Z	3





11.01a

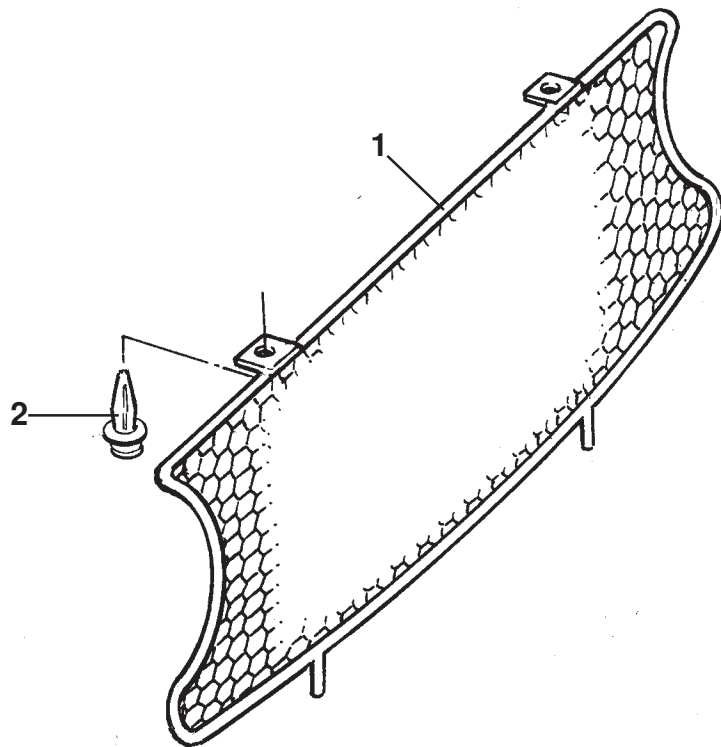
Service Parts List



Function Code 11.01a Aeroscreen

<u>Dep</u>	<u>Part Description</u>	<u>Remarks</u>	<u>Option</u>	<u>Part Number</u>	<u>Qty</u>
01	Windscreen			A340B0001F	1
02	Windscreen Finisher			B111U0088F	1
03	Spacer, windscreen alignment			A075U0588Z	7
04	Backlight Assembly			A340B0125J	1
05	Backlight Glass			A340B0082F	1
06	Bracket, backlight glass			A340B0124F	1
07	Washer, flat M6 x 20			B100W4127F	2
08	Nyloc Nut, M6			A075W3009Z	2





12.03

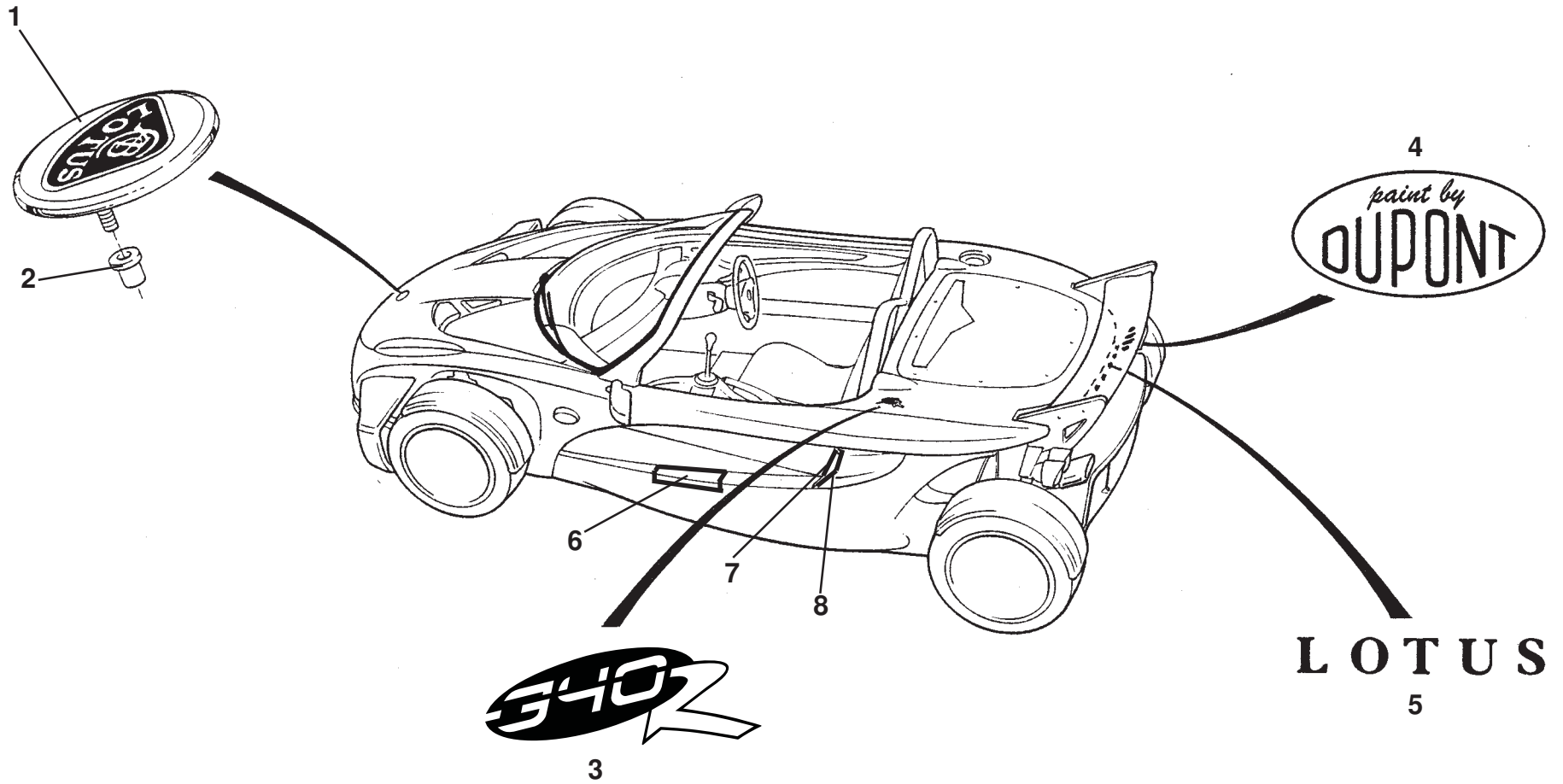
Service Parts List



Function Code 12.03 Grilles and Louvres

<u>Dep</u>	<u>Part Description</u>	<u>Remarks</u>	<u>Option</u>	<u>Part Number</u>	<u>Qty</u>
01	Grille. front intake			A340B0137F	1
02	Plastic Fastener, grille upper fix.			A111W6534F	2





12.05

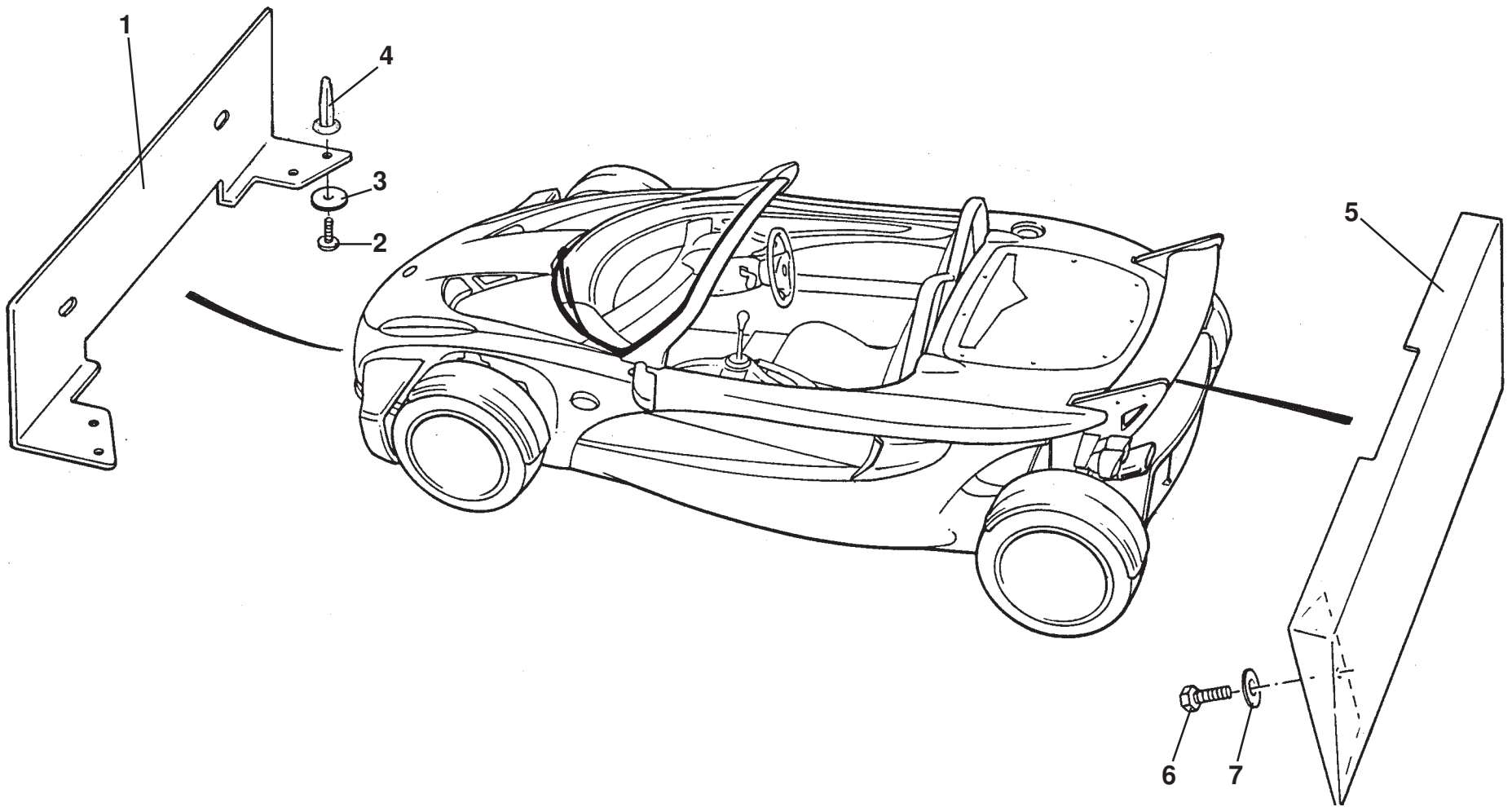
Service Parts List



Function Code 12.05 Decals, Badges & Protective Film

<u>Dep</u>	<u>Part Description</u>	<u>Remarks</u>	<u>Option</u>	<u>Part Number</u>	<u>Qty</u>
01	Nose Badge, Lotus logo			A089U1816F	1
02	Rawlnut, 5mm, rubber, nose badge fix.			A075W6074F	2
03	Decal, 340R	LH rear topshell deck		A340U0014F	1
04	Decal, paint by Dupont	Rear or aerofoil		A340U6003F	1
05	Decal, Lotus	Rear topshell, above CHMSL		A340U0050F	1
06	Film, sill tread protection, LH			A340U0021K	1
06a	Film, sill tread protection, RH			A340U0022K	1
07	Film, intake protection, inner LH			A340U0101K	1
07a	Film, intake protection, inner RH			A340U0102K	1
08	Film, intake protection, outer LH			A340U0099K	1
08a	Film, intake protection, outer RH			A340U0100K	1
09	Film Set, paint protection kit	Not illustrated	Accessory only	A340V0040S	1
10	Film, paint protection, bulk	Not illustrated, cut to fit		A100B2477V	As req.





12.07

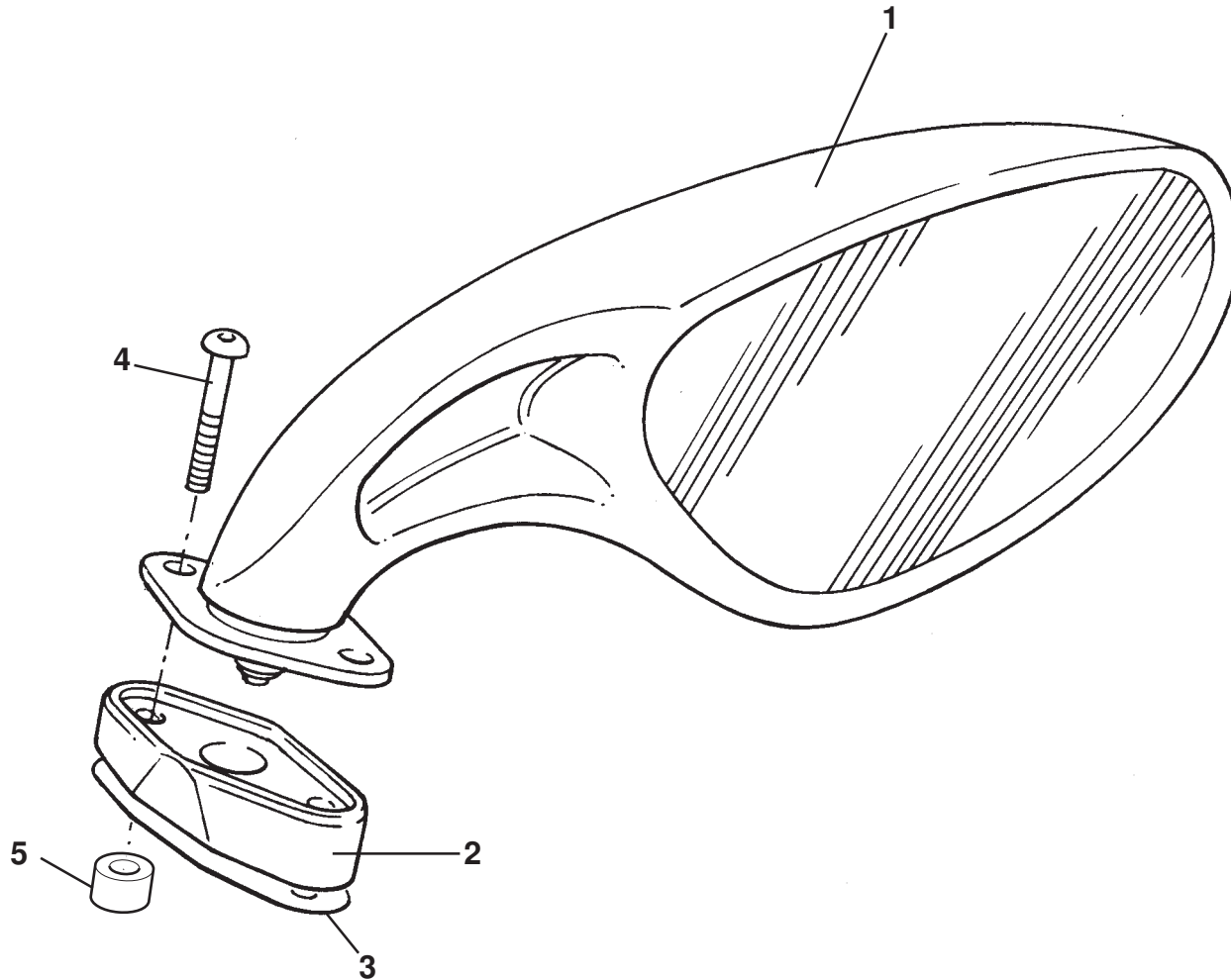
Service Parts List



Function Code 12.07 Licence Plate Mountings

<u>Dep</u>	<u>Part Description</u>	<u>Remarks</u>	<u>Option</u>	<u>Part Number</u>	<u>Qty</u>
01	Plinth, front license plate mounting			A340B0088F	1
02	Screw, M5 x 20, button hd.			A075W5084F	4
03	Washer, spring, M5			A082W4130F	4
04	Washer, flat, M5			A075W4011Z	4
05	Rawnut, M5			A075W6074F	4
06	Plinth, rear license plate mounting			A340B0230F	1
07	Setscrew, M6 x 20, hex. hd			A082W7041F	2
08	Washer, flat, M6			A082W4143F	2





12.09

Updated 24th January 2013

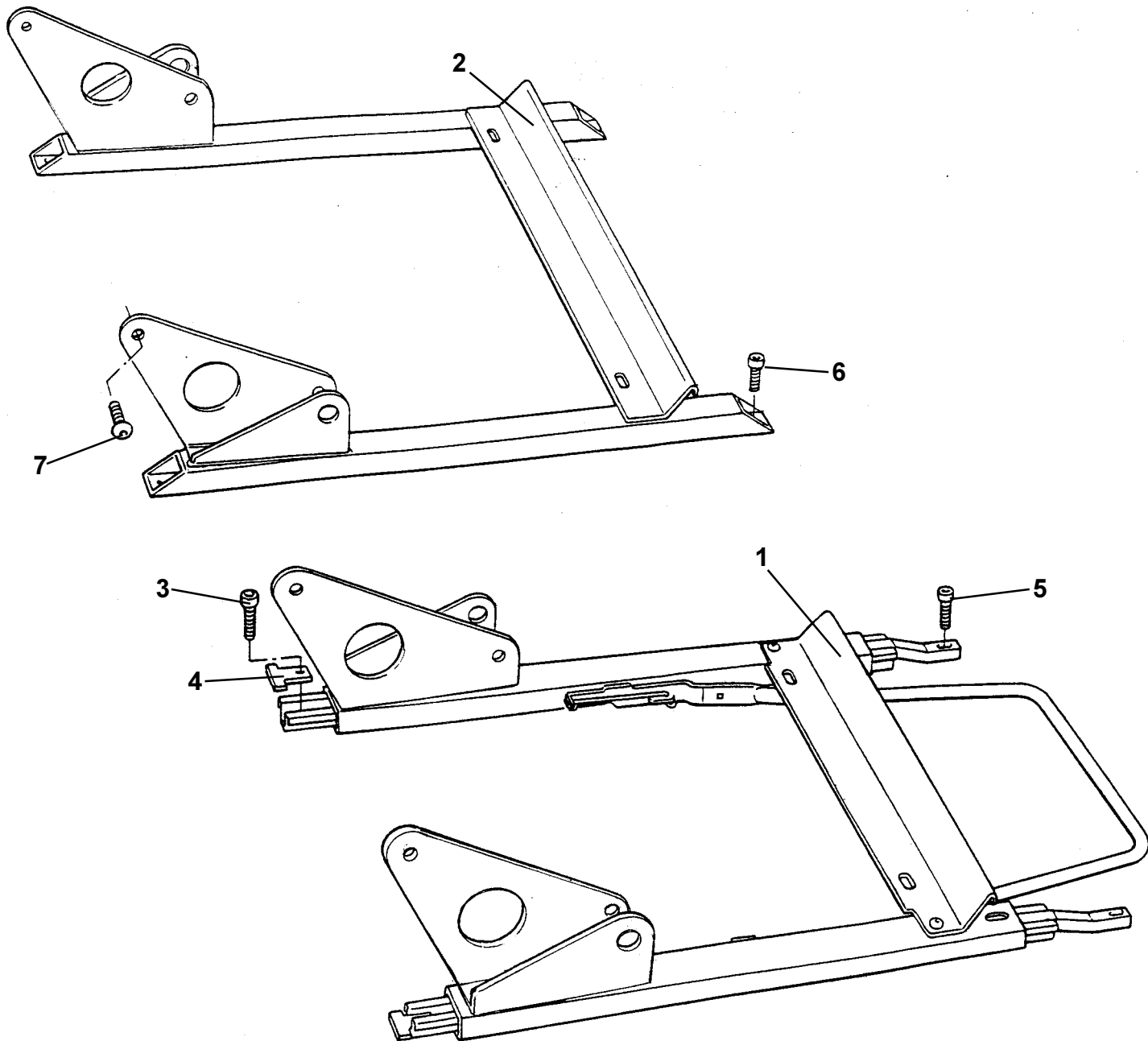
Service Parts List



Function Code 12.09 Exterior Driving Mirrors

<u>Dep</u>	<u>Part Description</u>	<u>Remarks</u>	<u>Option</u>	<u>Part Number</u>	<u>Qty</u>
01	Mirror Assembly, RH			A340U6000F	1
01a	Mirror Assembly, LH			A340U6001F	1
02	Plinth, mirror mounting			A340B0049F	2
03	Gasket, plinth to topshell			A340B0175F	2
04	Bolt. M6 x 40, button. skt. hd. S/S, mirror fix.	Also topshell fixing		A082W7104F	4
05	Spacer, 10.5mm	Fitted between topshell and screen frame		A340B0029F	As req.
05a	Spacer, 9.5mm	Not illustrated, fitted between topshell and screen frame		A340B0021F	As req.
05b	Spacer, 8.5mm	Not illustrated, fitted between topshell and screen frame		A340B0012F	As req.





13.01

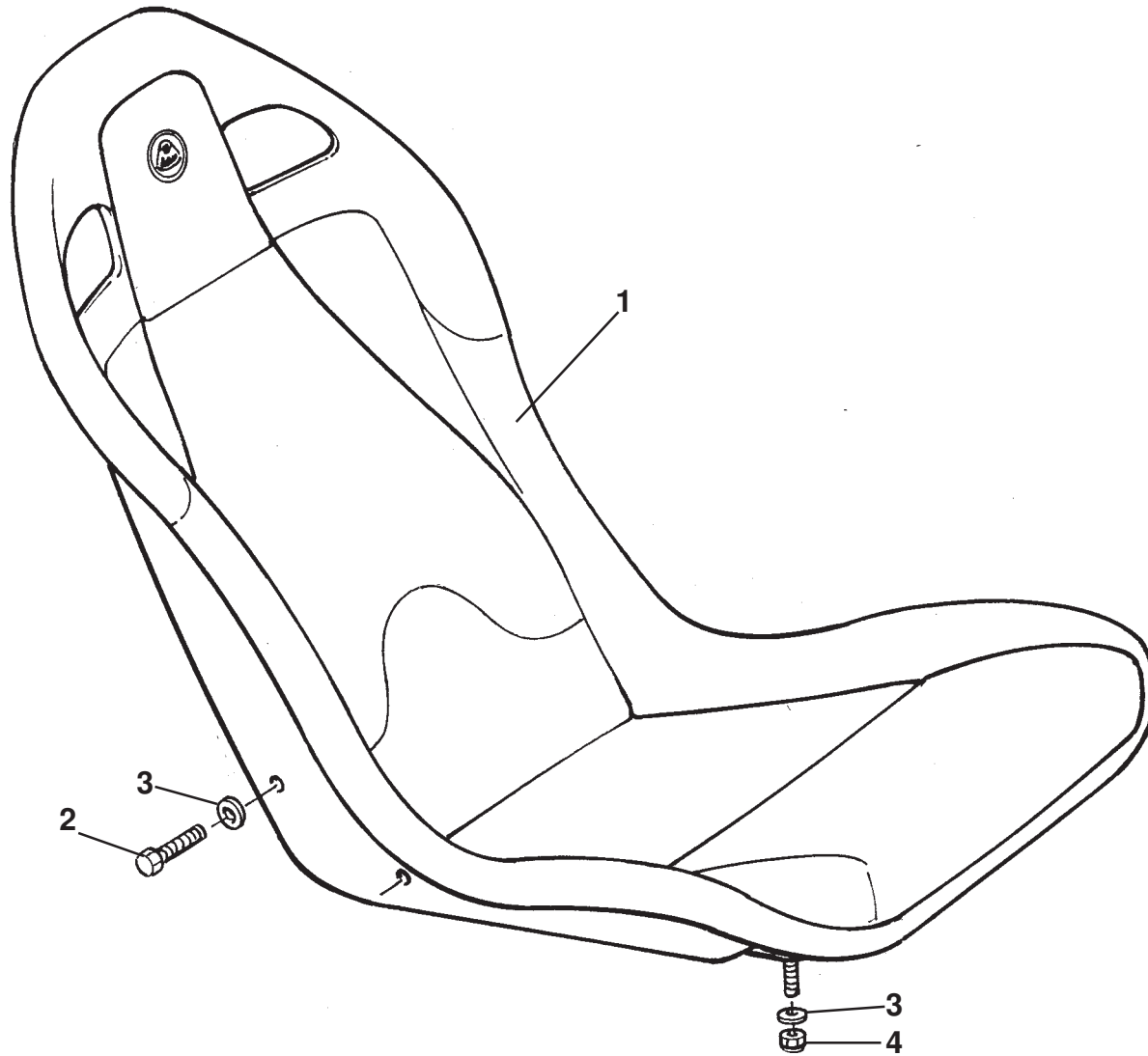
Service Parts List



Function Code 13.01 Seat Runners

<u>Dep</u>	<u>Part Description</u>	<u>Remarks</u>	<u>Option</u>	<u>Part Number</u>	<u>Qty</u>
01	Seat Runners, driver, RHD			A340V0009J	1
01a	Seat Runners, driver, LHD			A340V0010J	1
02	Seat Mounting Frame, passenger, RHD			A340V0007F	1
02a	Seat Mounting Frame, passenger, LHD			A340V0008F	1
03	Screw, M8 x 20, cap hd.	Runner rear fix.		A111W7130F	2
04	Stop, seat runner			B111V0017F	2
05	Screw, M8 x 25, cap hd.	Runner front fix.		A111W7115F	2
06	Screw, M8 x 16, cap hd.	Mounting frame fix.		A111W7125F	4
07	Screw, M8 x 12, button hd.	Side brackets to seat fix.		A111W7131F	4





13.02c

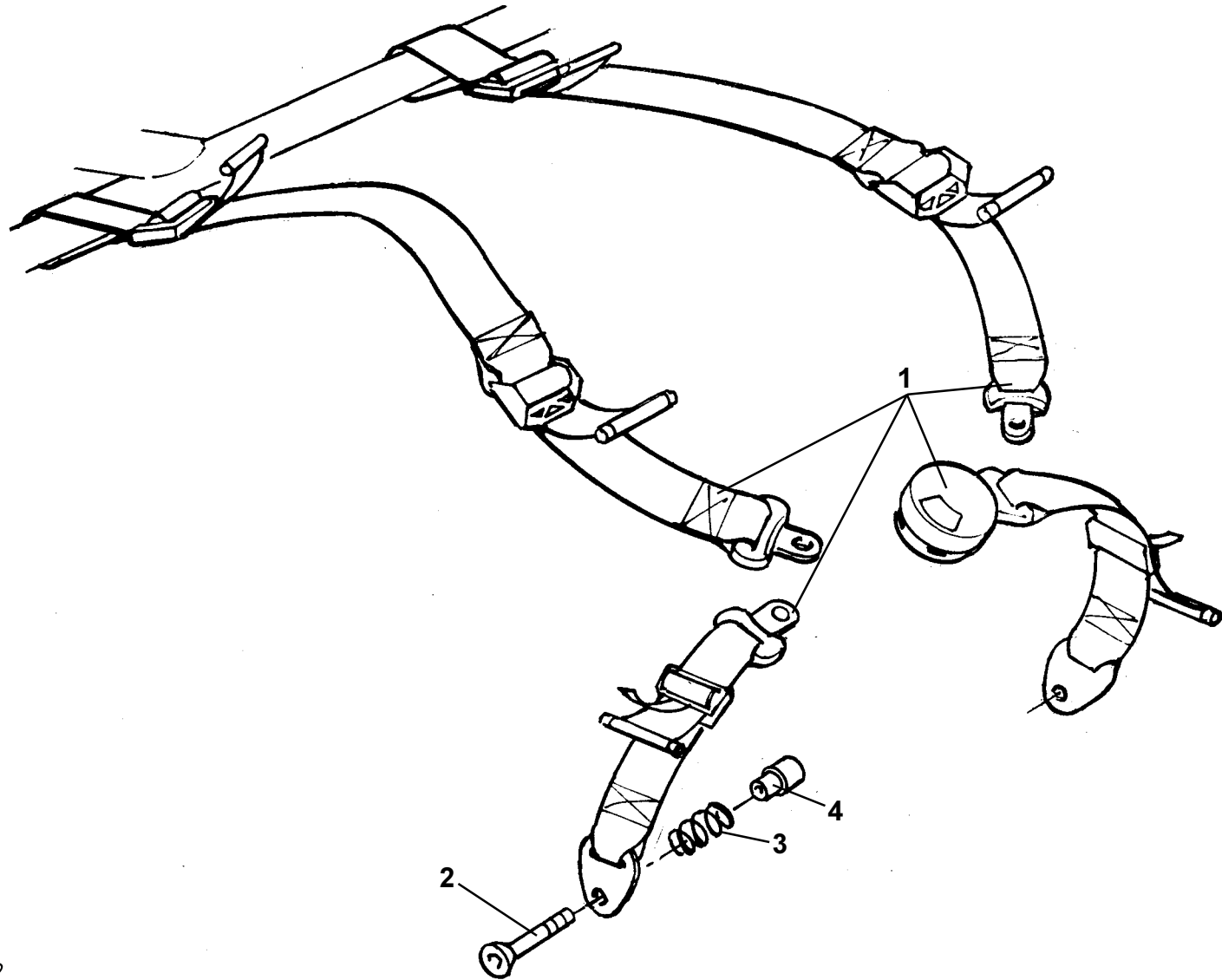
Service Parts List



Function Code 13.02c Seat Assemblies, front

<u>Dep</u>	<u>Part Description</u>	<u>Remarks</u>	<u>Option</u>	<u>Part Number</u>	<u>Qty</u>
01	Seat Assembly		Common	A340V0038K	2
02	Screw, M8 x 25, big hd.			A111W6532F	4
03	Washer, flat, M8 x 17 x 1.6			A075W4020Z	8
04	Nyloc Nut, M8			A075W3010Z	4





13.27

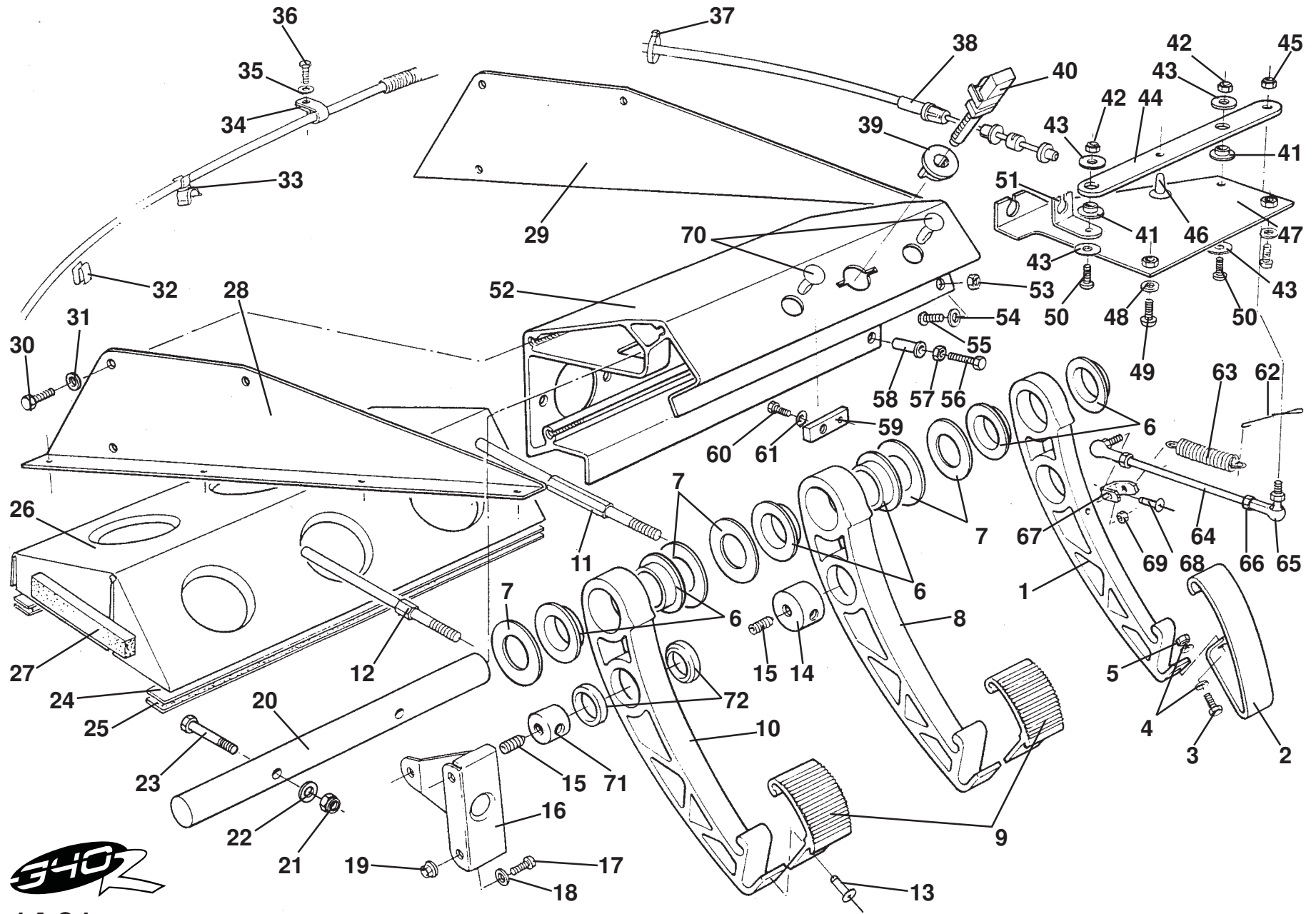
Service Parts List



Function Code 13.27 Seat Belts, front

<u>Dep</u>	<u>Part Description</u>	<u>Remarks</u>	<u>Option</u>	<u>Part Number</u>	<u>Qty</u>
01	Four Point Harness, RH			A340U6008F	1
01a	Four Point Harness, LH			A340U6009F	1
02	Bolt. special, 7/16" x 1.75" UNF, csk. hd., belt to seat			A340U0103F	2
03	Spring, buckle to seat			A111U6016F	2
04	Spacer			A111U0017F	2





14.01

Service Parts List



Function Code 14.01 Pedal Box, Pedals, Throttle Control

<u>Dep</u>	<u>Part Description</u>	<u>Remarks</u>	<u>Option</u>	<u>Part Number</u>	<u>Qty</u>
01	Throttle Pedal			C111J0018F	1
01a	Throttle Pedal Assembly			C111J0016F	1
02	Pad. throttle pedal			A111J0081F	1
03	Setscrew. m5 x 16, pad to arm retention			A075W1085F	1
04	Washer, M5 x 10 x 1.0, pad to arm retention			A075W4011Z	2
05	Nyloc Nut, M5			A075W3008Z	1
06	Bearing, pedal pivots			A111J6018F	6
07	Thrust Washer, pedal pivots			A111J6019F	5
08	Brake Pedal			B111J0069F	1
08a	Brake Pedal Assembly			B111J0070F	1
09	Pad, brake & clutch pedals			C111J0019F	2
10	Clutch Pedal,			C111J0017F	1
11	Push Rod, brake master cylinder			A111j0041F	1
12	Push Rod, clutch master cylinder			A111J0042F	1
13	Pop Rivet, 5/32"x 1/2", pad fix.			A075W6068Z	2
14	Trunnion, brake pedal			A1111J0039F	2
15	Grubscrew, M6 x 6, push rod locking			A111W7147F	2
16	Driver Footrest, RHD			A111A0103F	1



Function Code 14.01 Pedal Box, Pedals, Throttle Control

<u>Dep</u>	<u>Part Description</u>	<u>Remarks</u>	<u>Option</u>	<u>Part Number</u>	<u>Qty</u>
16a	Driver Footrest, LHD			A111A0104F	1
17	Screw, M6 x 16, pozi, footrest fix.			A076W5090F	3
18	Washer, shakeproof, M6, footrest fix.			A075W4046Z	3
19	Locknut, M6, footrest fix.			A100W3108F	3
20	Pedal Shaft			B111J0038F	1
21	Nyloc Nut, M6. shaft fix.			A075W3009Z	2
22	Washer, flat, M6, shaft fix.			A075W4013Z	2
23	Screw, M6 x 35, hex. hd., shaft fix.			A075W1033Z	2
24	Grip-Lock, self adhesive hook			A111V6020V	0.6M
25	Grip-Lock, self adhesive loop			A111V6019V	0.6M
26	Passenger Footrest Assembly, RHD			B111A0101J	1
26a	Passenger Footrest Assembly, LHD			B111A0102J	1
27	Foam Seal, 25 x 12.5			A082U6065V	As req.
28	Side Plate, pedal box, LH			B111J0033F	1
29	Side Plate, pedal box, RH			B111J0034F	1
30	Screw, M6 x 20, hex. hd., side plate fix.			A111W1155F	6
31	Washer, spring, M6			A075W4035Z	6
32	Clip, throttle cable to manifold fix.			A082W6370F	1
33	Clip, throttle cable to canister pipe fix.			A089W6268F	1
34	'P' Clip, throttle cable to sump			A111W6611F	1
35	Washer, shakeproof, M8, 'P' clip to sump			A075W4048Z	1



Function Code 14.01 Pedal Box, Pedals, Throttle Control

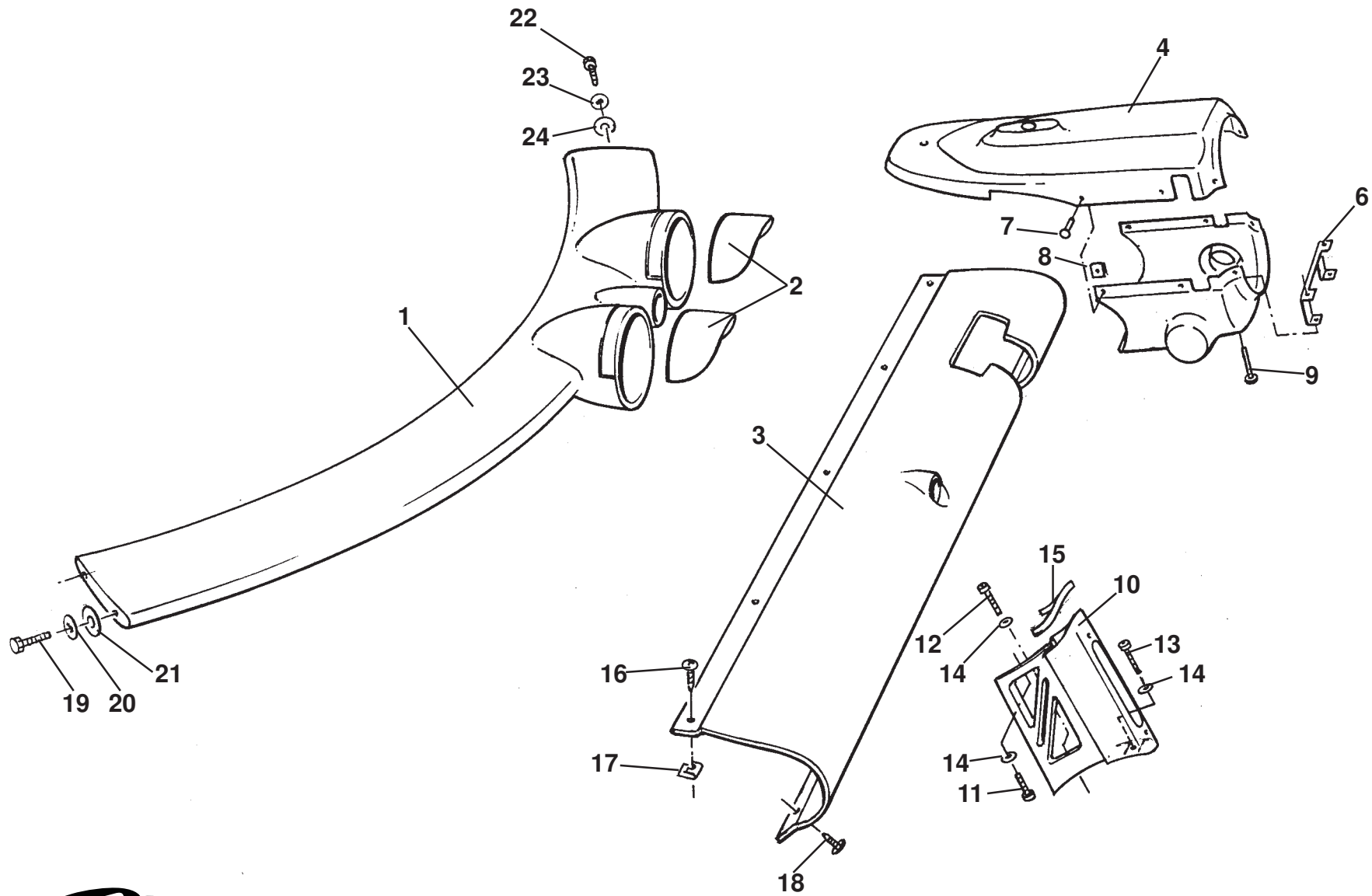
<u>Dep</u>	<u>Part Description</u>	<u>Remarks</u>	<u>Option</u>	<u>Part Number</u>	<u>Qty</u>
36	Setscrew, M8 x 20, 'P' clip to sump			A075W1038Z	1
37	Tie Wrap, throttle cable fix.			A082W6324F	1
38	Throttle Cable		A340E0031F R/B	A340E0037F	1
39	Collar, brake light switch fix.			A089M6020F	1
40	Brake Light Switch			A089M6019F	1
41	Bush, nylon, relay lever			A111J6017J	1
42	Nyloc Nut, M4			A075W3049F	1
43	Thrust Washer, nylon, relay lever			A111J6016F	1
44	Relay Lever, throttle linkage			B111J0045F	1
45	Nyloc Nut, M5			A100W3113F	2
46	Slider Button, relay lever			A111J6020F	1
47	Base Plate, relay lever, RHD			C111J0048F	1
47a	Base Plate, relay lever, LHD		C111J0047F R/B	D111J0047F	1
48	Washer, shakeproof, M5, base plate fix.			A075W4045Z	2
49	Screw, M5 x 10, pozi., base plate fix.			A082W5097F	2
50	Screw, M4 x 16, pozi., swivel fix.			A100W5133F	2
51	Swivel, throttle linkage			A111J0043F	1
52	Pedal Box Extrusion			D1110021F	1
53	Nyloc Nut, M5			A075W3008Z	1
54	Washer, flat, M5 x 10 x 0,8			A111W4168F	1
55	Screw, M5 x 12, button hd.			A111W7138F	1



Function Code 14.01 Pedal Box, Pedals, Throttle Control

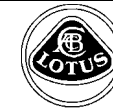
<u>Dep</u>	<u>Part Description</u>	<u>Remarks</u>	<u>Option</u>	<u>Part Number</u>	<u>Qty</u>
56	Setscrew, M6 x 35, throttle pedal stop			A075W1033Z	1
57	Nyloc Nut, M6, throttle pedal stop			A082W3085F	1
58	Pulsert, M6 x 1.0			A079W6156F	1
59	Nut Plate, pedal box			A111J0083F	1
60	Setscrew, M5 x 12, hex. hd.			A075W1021Z	1
61	Washer, flat, M5 x 10 x 1.0			A075W4011Z	1
62	Link, throttle spring, RHD			A111J0096F	1
62a	Link, throttle spring, LHD			A111J0097F	1
63	Throttle Return Spring			A075J6029Z	1
64	Pull Rod, throttle linkage	Rod only		A111J0044F	1
65	Ball Joint, pull rod			A111J6015F	2
66	Locknut, M5, Locknut, M5, ball joint/pull rod			A082W3088F	2
67	Bracket, throttle to pull rod		B111J0046F R/B	C111J0046F	1
68	Pop Rivet, 3/16", bracket to throttle pedal			A075W6087Z	1
69	Nyloc Nut, M5, throttle pedal link fix.			A100W3113F	2
70	Blanking Plug			A111J6020F	2
71	Trunnion, clutch pedal			A111J0155F	1
72	Bush, synthetic, clutch pedal trunnion			A111J6036F	2
73	Grease, molycote DC33 medium, pedal bush lube	Not illustrat.		A111F6016V	As req.





14.05

Service Parts List



Function Code 14.05 Fascia Structure & Supporting Hardware

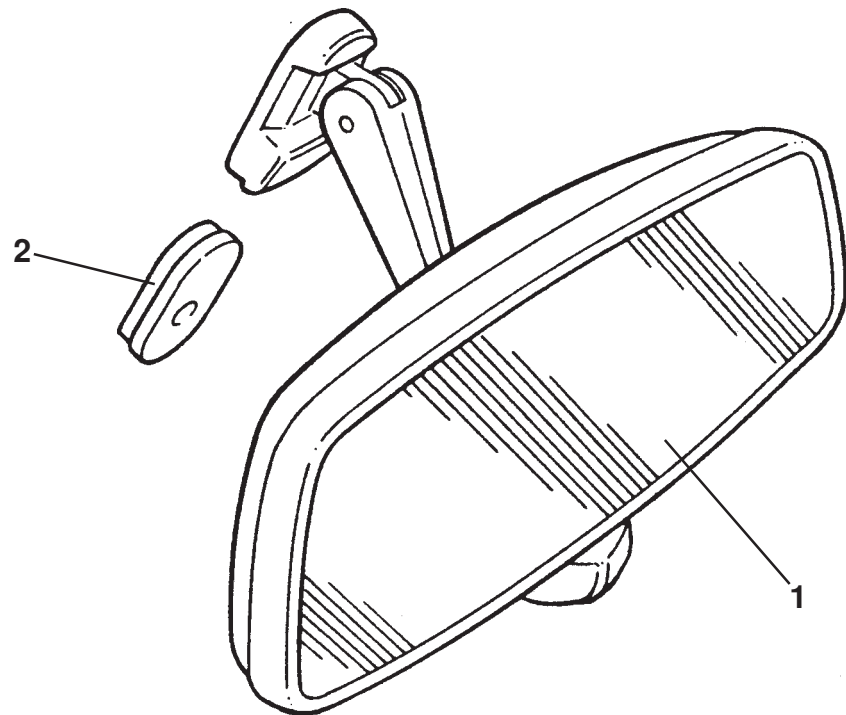
<u>Dep</u>	<u>Part Description</u>	<u>Remarks</u>	<u>Option</u>	<u>Part Number</u>	<u>Qty</u>
01	Rail, instrument housing, RHD			A340B0072K	1
01a	Rail, instrument housing, LHD			A340B0073K	1
02	Shroud, instrument housing			A340U0078K	2
03	Fascia Panel. RHD			A340B0214K	1
03a	Fascia Panel. LHD			A340B0216K	1
04	Column Shroud, upper			A340U0087K	1
05	Column Shroud, lower			A340U0090K	1
06	Spacer Bracket, shroud to column front	Replaced by spacers: items 25, 26		A340U0059F	1
07	Screw, No.8 x 0.75", csk. hd. pozi., upper to lower shroud			A075W5012F	6
08	Spire Nut, M6			A079W6014F	6
09	Screw, No.8 x 0.75". pan hd. pozi., shroud to column LH			A340W5230F	1
09a	Screw, No.8 x 1.0". pan hd. pozi., shroud to column RH	Not illustrated		A340W5231F	1
10	Switch Panel Mounting Strut			B340U0004F	1
11	Screw, M5 x 30, S/S, cap. hd., strut to chassis			A340W7191F	1
12	Screw, M5 x 20, S/S, cap. hd., strut to tunnel trim			A082W7173F	1
13	Screw, M3 x 12, S/S, cap. hd., strut to tunnel trim			A340W7187F	1
14	Washer, flat, M5 x 10			A075W4011Z	2
15	Edging Strip. strut assy.			A085U6080V	184mm



Function Code 14.05 Fascia Structure & Supporting Hardware

<u>Dep</u>	<u>Part Description</u>	<u>Remarks</u>	<u>Option</u>	<u>Part Number</u>	<u>Qty</u>
16	Screw. No.6 x 0.5", flg, hd pozi., panel fixing, upper			A075W5014Z	5
17	Spire Nut, No.6			A075W6024F	5
18	Screw, No.6 x 0.75", pan hd. pozi., panel fixing, lower			A075W5026Z	6
19	Setscrew, M5 x 25, hex. hd., rail to tub	Passenger's side		A082W1121F	2
20	Washer, shakeproof, M5			A075W4045Z	2
21	Washer, flat, M5			A075W4011Z	2
22	Setscrew, M6 x 30, hex. hd., rail to tub	Driver's side		A075W4032Z	1
23	Washer, shakeproof, M6			A075W4046Z	1
24	Washer, flat, M6			A075W4013Z	1
25	Spacer, 15mm, shroud to column	Replaces bracket: item 6		A340W6652F	1
26	Spacer, 10mm, shroud to column	Replaces bracket: item 6		A340W6651F	1





15.05

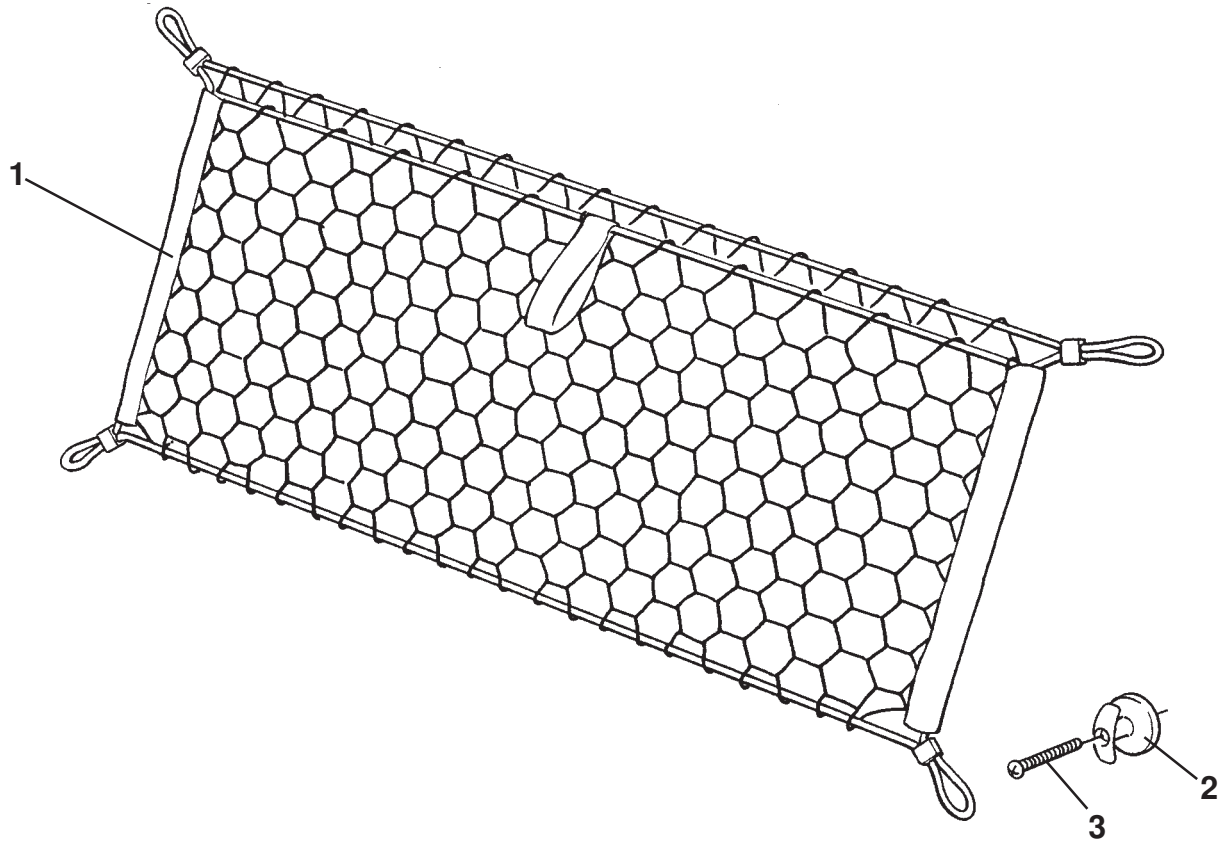
Service Parts List



Function Code 15.05 Interior Driving Mirror & Sunvisors

<u>Dep</u>	<u>Part Description</u>	<u>Remarks</u>	<u>Option</u>	<u>Part Number</u>	<u>Qty</u>
01	Mirror, interior rear view			A111U6001F	1
02	Mounting Plinth, interior mirror			A111U6026F	1
03	Adhesive Kit, mirror mounting plinth	Not illustrated		A100B6230S	1





15.11

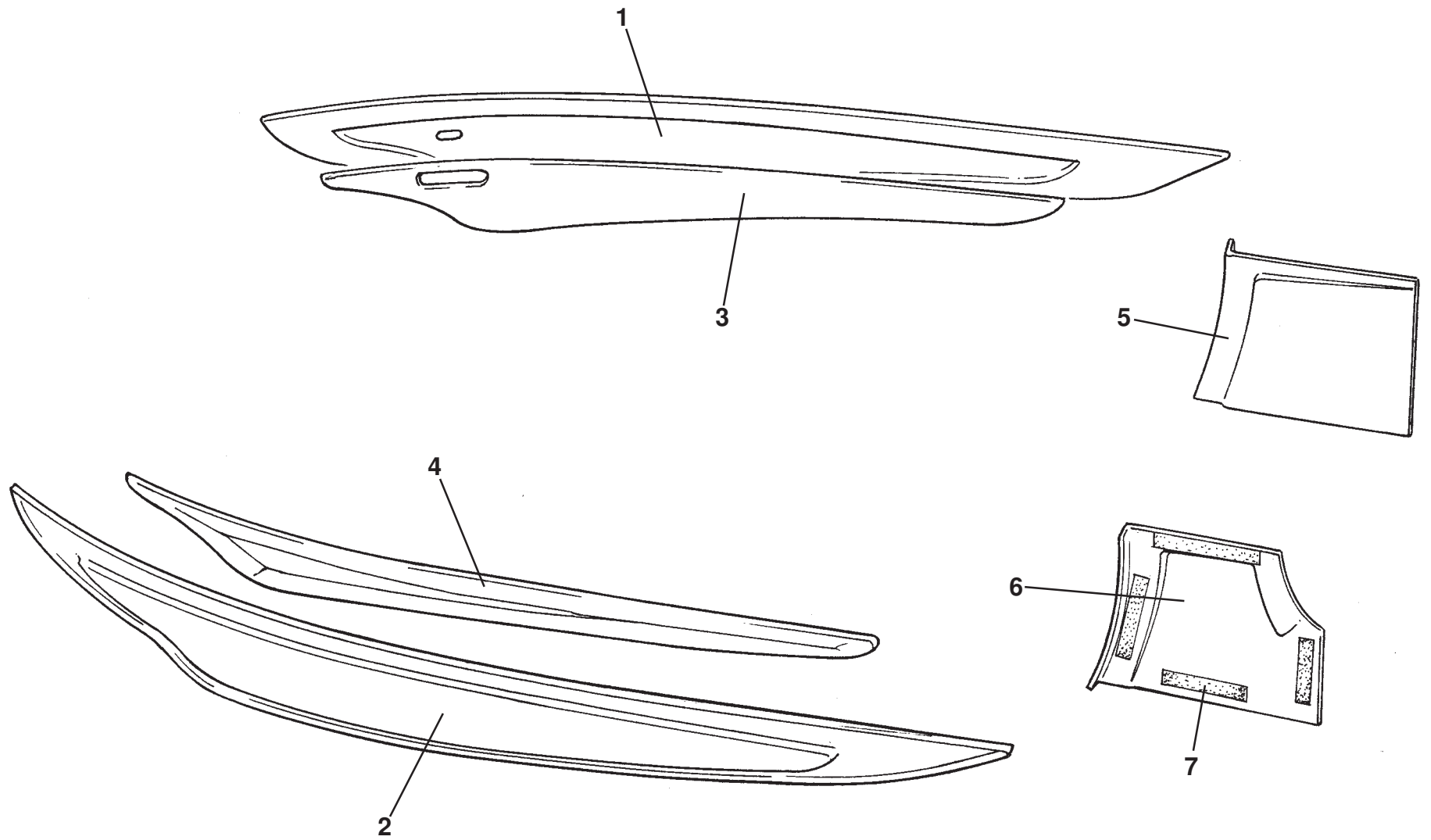
Service Parts List



Function Code 15.11 Interior Trim & Stowage Provision

<u>Dep</u>	<u>Part Description</u>	<u>Remarks</u>	<u>Option</u>	<u>Part Number</u>	<u>Qty</u>
01	Stowage Net			A111V6008F	1
02	'T' Anchor, stowage net retention			A111V6009F	4
03	Screw, M4 x 30 pan hd. pozi.			A111W5222F	4





15.14

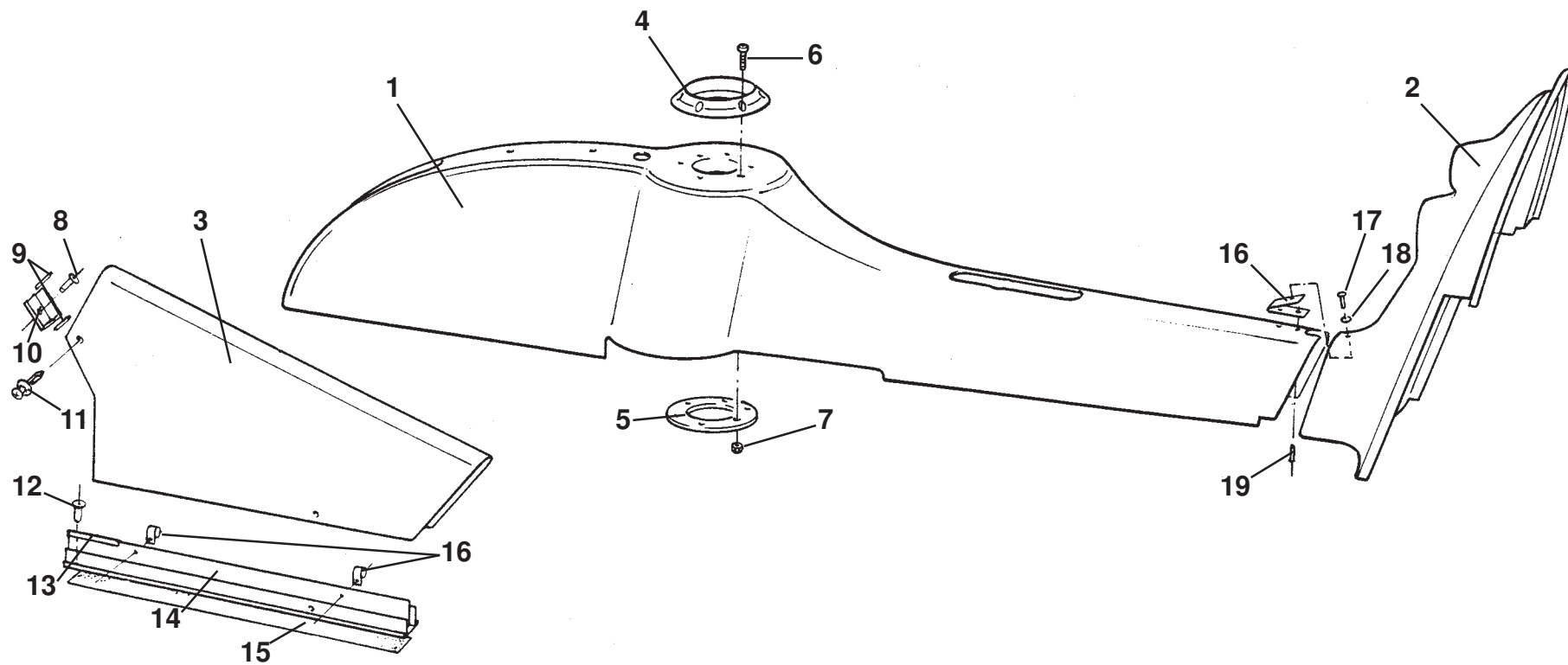
Service Parts List



Function Code 15.14 Interior Trims

<u>Dep</u>	<u>Part Description</u>	<u>Remarks</u>	<u>Option</u>	<u>Part Number</u>	<u>Qty</u>
01	Trim Panel, cockpit sides, RH			A340U0068K	1
02	Trim Panel, cockpit sides, LH			A340U0067K	1
03	Trim Insert, cockpit sides, RH			A340U0038J	1
04	Trim Insert, cockpit sides, LH			A340U0037J	1
05	Trim Panel, cockpit rear quarter, RH			A340U0066J	1
06	Trim Panel, cockpit rear quarter, LH			A340U0065J	1
07	Grip-Lock, self adhesive, loop	On trim panel		A111V6019V	0.84m
08	Grip-Lock, self adhesive, hook	Not illustrated, on cockpit sides		A111V6020V	0.84M





15.19

Service Parts List



Function Code 15.19 Centre Tunnel Trim, Gear Lever Gaiters/Shrouds

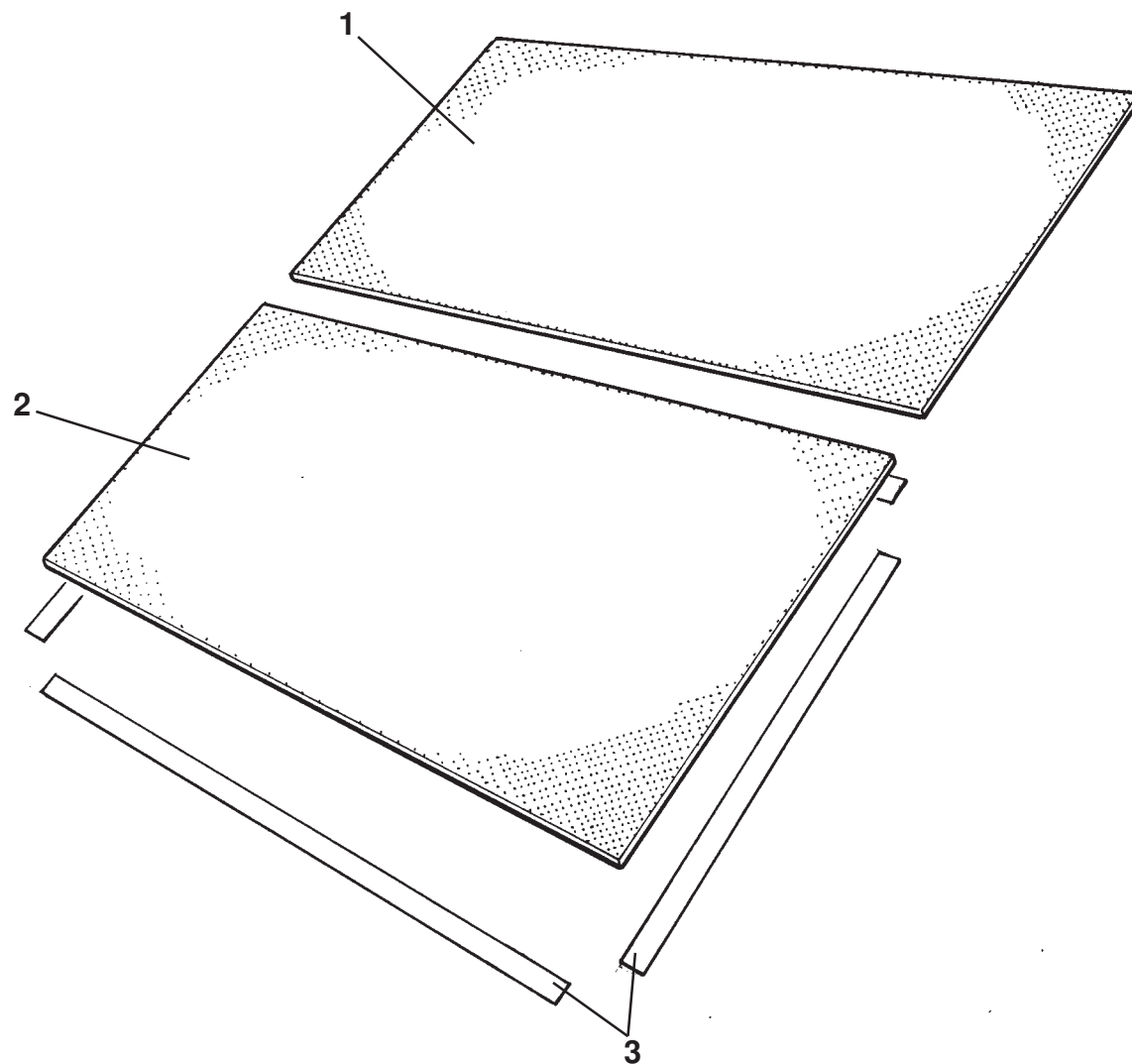
<u>Dep</u>	<u>Part Description</u>	<u>Remarks</u>	<u>Option</u>	<u>Part Number</u>	<u>Qty</u>
01	Cover, gear lever/centre tunnel, RHD			A340U0112S	1
01a	Cover, gear lever/centre tunnel, LHD			A340U0113S	1
02	Cover/Auxiliary Socket Housing			A340U0032K	1
03	Cover, tunnel front, RHD	Alloy		B111A0068F	1
03a	Cover, tunnel front, LHD	Alloy		A111A0106F	1
04	Gear Lever Finisher Ring			A340U0008F	1
05	Retainer, finisher ring			A340U0015F	1
06	Setscrew, M5 x 12, cap hd. finisher to retainer			A340W7185F	6
07	Nyloc Nut, M6			A100W3113F	6
08	Pop Rivet, 3/16" x 9/16", bracket fix.			A082W6243F	1
09	Edging Strip, harness protection			B075U6054V	0.16M
10	Mounting Bracket, front tunnel to toeboard			B111A0069F	1
11	Plastic Fastener, tunnel fix.			A082W6505F	7
12	Blind Rivet, tunnel mount fix.			A111W6613F	4
13	Edging Strip, harness protection			B075U6054V	0.16M
14	Mounting Bracket, front tunnel to floor		C111A0067F R/B	D111A0067F	1
15	Tape, double sided, tunnel mount to floor			B075U6070V	0.55M
16	Clip, harness retention			A082W5457F	2



Function Code 15.19 Centre Tunnel Trim, Gear Lever Gaiters/Shrouds

<u>Dep</u>	<u>Part Description</u>	<u>Remarks</u>	<u>Option</u>	<u>Part Number</u>	<u>Qty</u>
17	Bracket, rear cover fix.			A340B0083F	1
18	Pop Rivet, bracket to tunnel cover			A082W6524F	2
19	Screw, No. 6 x 0.5", flg. hd. pozi.			A089W5138F	1
20	Spirenut, No. 6			A075W6014Z	1





15.30

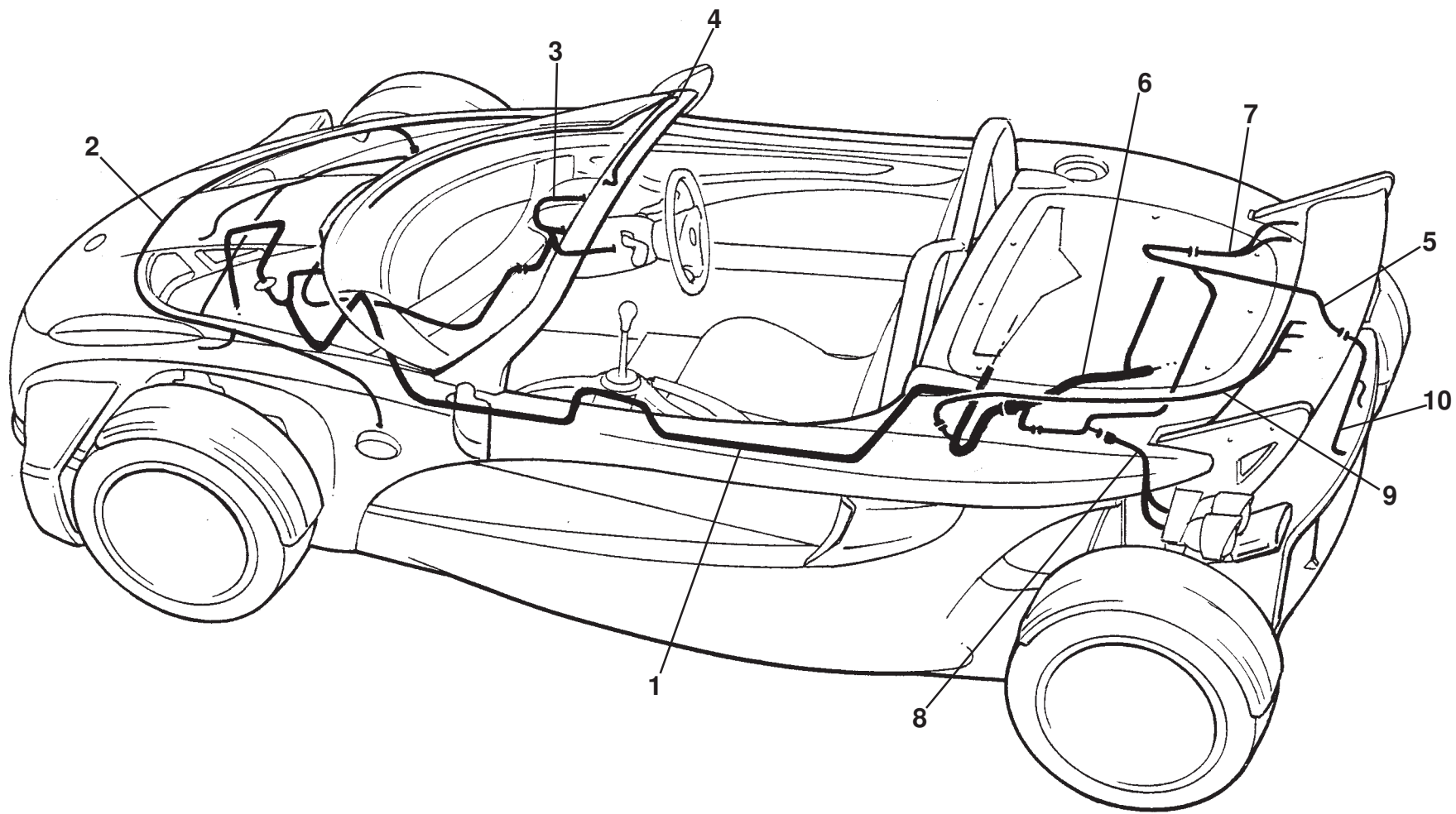
Service Parts List



Function Code 15.30 Carpeting & Mats

<u>Dep</u>	<u>Part Description</u>	<u>Remarks</u>	<u>Option</u>	<u>Part Number</u>	<u>Qty</u>
01	Floor Mat, RH, RHD			A111V0046K	1
01a	Floor Mat, RH, LHD			A111V0048K	1
02	Floor Mat, LH, RHD			A111V0047K	1
02a	Floor Mat, LH, LHD			A111V0049K	1
03	Double sided tape. 25mm width			B075U6070V	7.5m





17.01

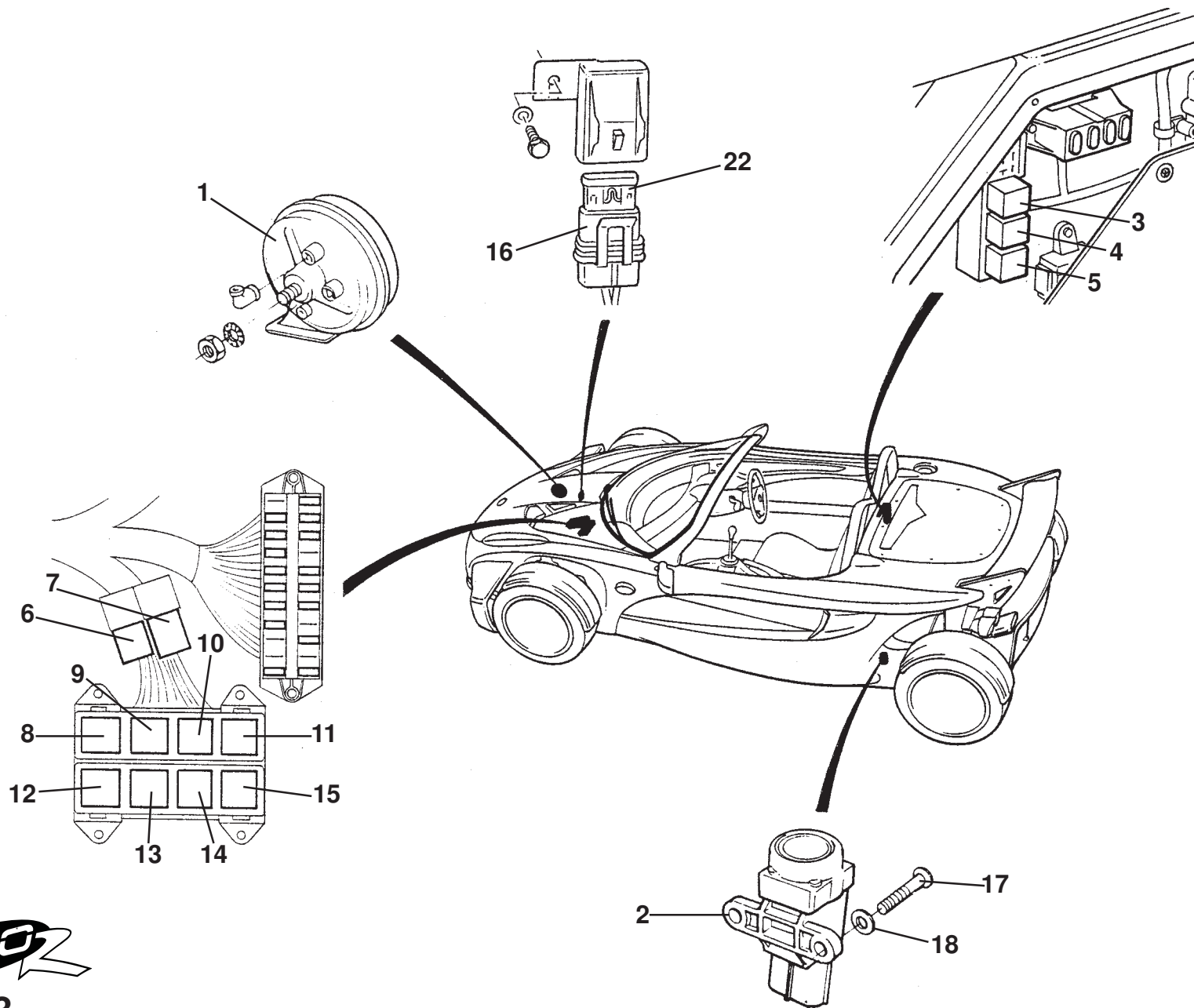
Service Parts List



Function Code 17.01 Harnesses, Leads

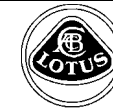
<u>Dep</u>	<u>Part Description</u>	<u>Remarks</u>	<u>Option</u>	<u>Part Number</u>	<u>Qty</u>
01	Harness, main			A340M0001F	1
02	Harness, front	Fitted to topshell		A340M0004F	1
03	Harness, fascia/instruments			A340N0005S	1
04	Harness, heated front windscreen			A340M0018F	1
05	Harness, rear			A340M0005F	1
06	Harness, engine			A340M0002F	1
07	Harness, rear lighting, RH			A340M0009F	1
08	Harness, rear lighting, LH			A340M0007F	1
09	Harness, CHMSL	Fitted to topshell		A340M0003F	1
10	Harness, rear fog lamp			A340M0019F	1
11	Ferrite Ring, fascia harness	Not illustrated		A340M6040F	3





17.03

Service Parts List



Function Code 17.03 Horn, Inertia Switch, Modules, Fuses & Relays

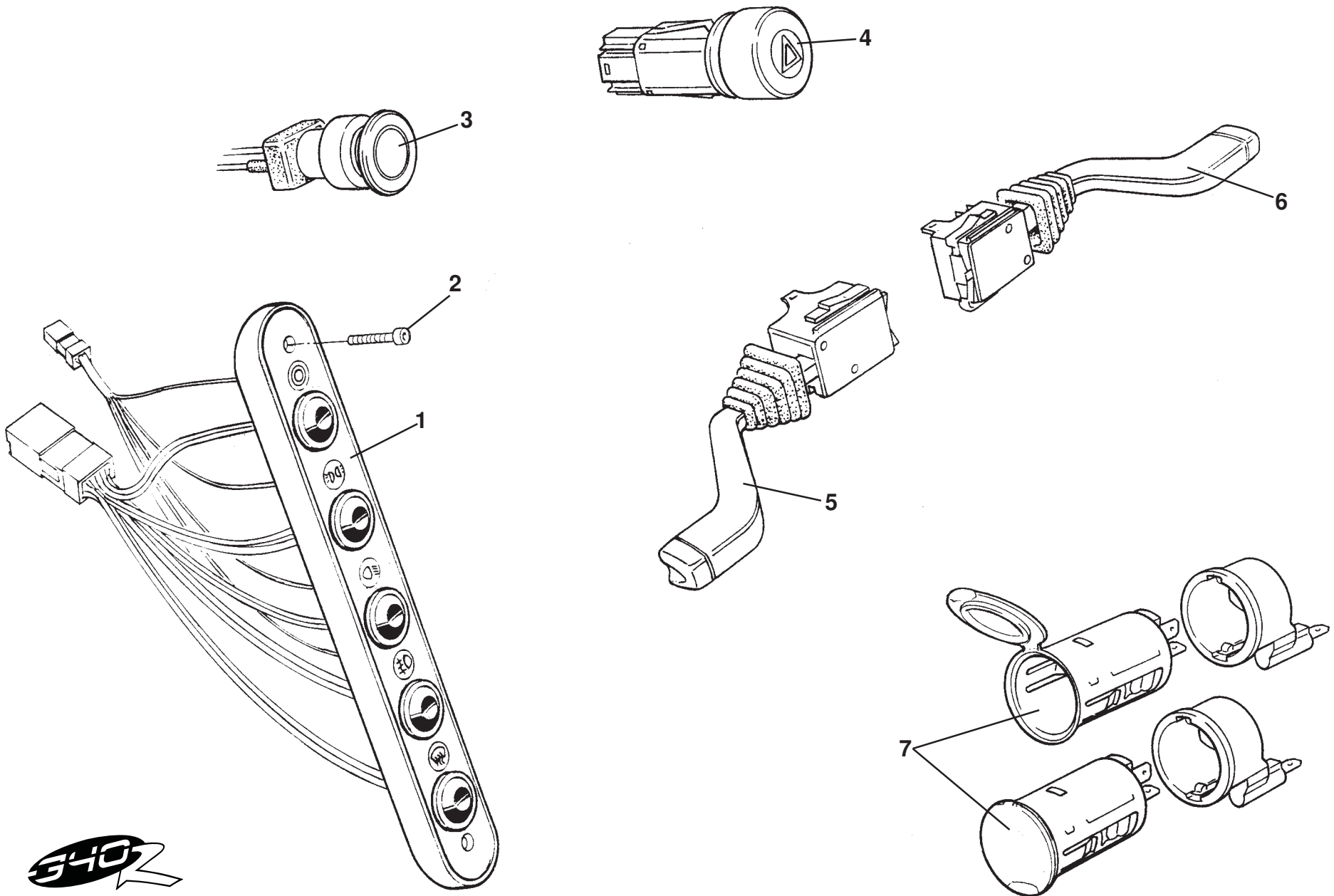
<u>Dep</u>	<u>Part Description</u>	<u>Remarks</u>	<u>Option</u>	<u>Part Number</u>	<u>Qty</u>
01	Horn, 'low note'			A100M6031F	1
02	Inertia Switch			A082M6598F	1
03	Relay, engine management ignition supply			C079M6141F	1
04	Relay, starter solenoid			C079M6141F	1
05	Relay, fuel pump, injectors			C079M6141F	1
06	Relay, hazard/turn			A083M6303F	1
07	Relay, wipe/wash			C079M6141F	1
08	Relay, horn			C079M6141F	1
09	Relay, rad. fan			C079M6141F	1
10	Relay, dip beam			C079M6141F	1
11	Relay, main beam			C079M6141F	1
12	Relay, auxiliary			C079M6141F	1
13	Relay, rear fog			C079M6141F	1
14	Relay, heated screen			C079M6141F	1
15	Relay, sidelamps			C079M6141F	1
16	Fuse Holder, security alarm fuse				1
17	Screw, M5 x 16, pan hd. pozi.			A082W5107F	2
18	Washer, flat, M5 x 10 x 1.0			A075W4011Z	2



Function Code 17.03 Horn, Inertia Switch, Modules, Fuses & Relays

<u>Dep</u>	<u>Part Description</u>	<u>Remarks</u>	<u>Option</u>	<u>Part Number</u>	<u>Qty</u>
19	Fuse, 3A, violet			A082M6243F	4
20	Fuse, 5A, orange			A082M6245F	2
21	Fuse, 7.5A, brown			A082M6246F	8
22	Fuse, 10A, red			A082M6247F	2
23	Fuse, 15A, light blue			A082M6248F	2
24	Fuse, 20A, yellow			A082M6249F	1
25	Fuse, 25A, clear			A082M6250F	2
26	Fuse, 30A, green			A082M6251F	1





17.05

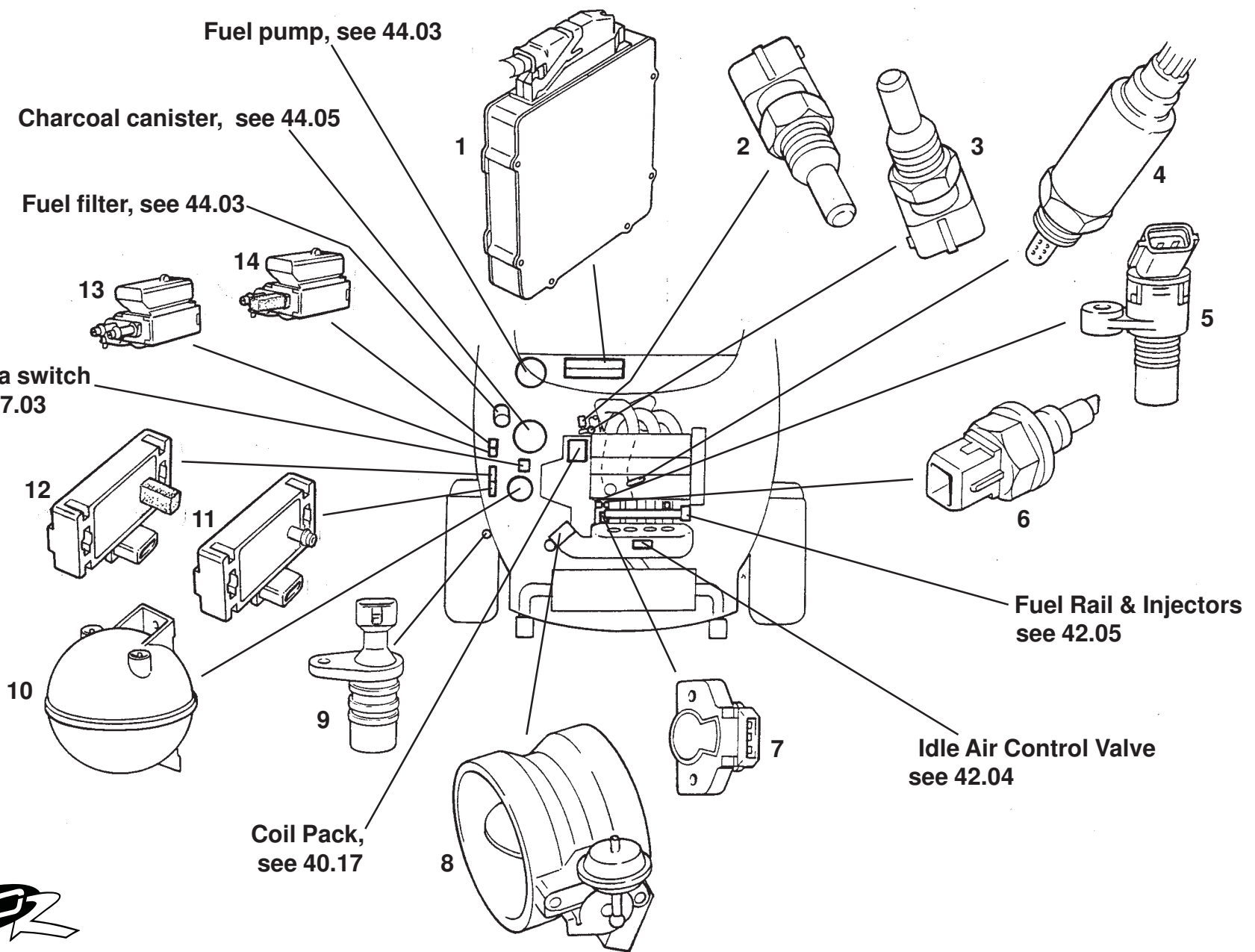
Service Parts List



Function Code 17.05 Interior Switches, Auxiliary Power Socket

<u>Dep</u>	<u>Part Description</u>	<u>Remarks</u>	<u>Option</u>	<u>Part Number</u>	<u>Qty</u>
01	Switch Console Assembly			A340M0027F	1
02	Screw, M3 x 12, cap hd. console to mounting strut			A340W7187F	2
03	Switch, starter, push button			A340M6022F	1
04	Switch, hazard lamps			A340M6016F	1
05	Column Switch, LH, indicators/dip/flash			A100M6048F	1
06	Column Switch, RH, windscreen wipe/wash			A100M6049F	1
07	Auxiliary Power Socket	On rear of tunnel trim		A340M6013F	2





Service Parts List



Function Code 17.06 Engine Management & Sensors

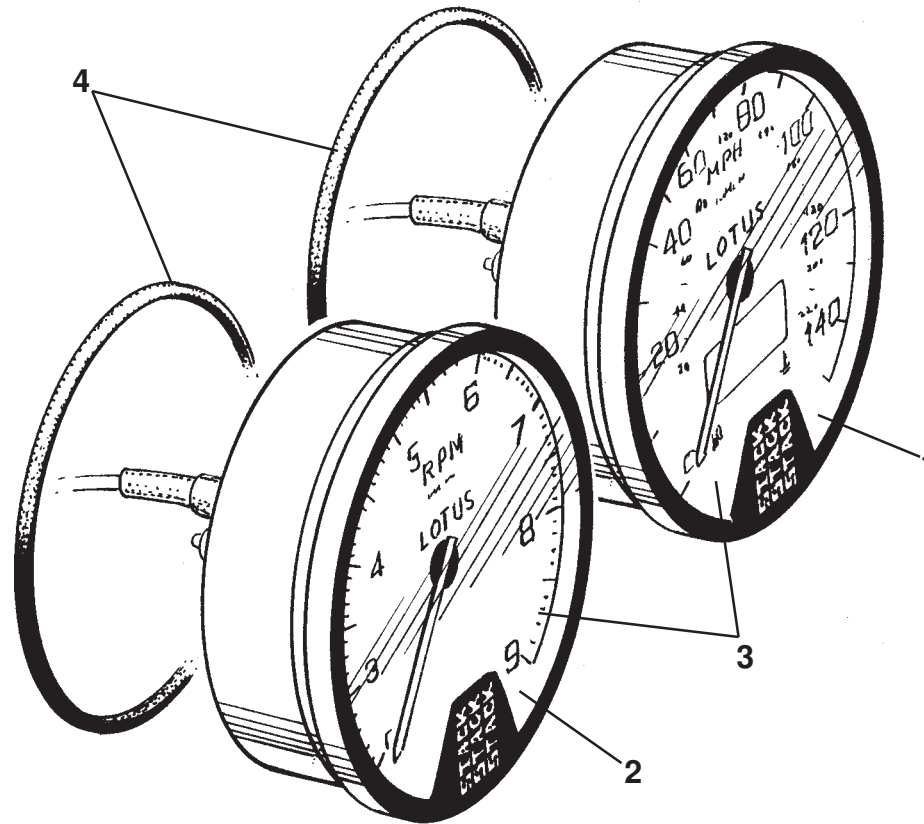
<u>Dep</u>	<u>Part Description</u>	<u>Remarks</u>	<u>Option</u>	<u>Part Number</u>	<u>Qty</u>
01	Electronic Control Module (ECM)		Standard	A340M6000K	1
01a	Electronic Control Module (ECM), 190	Part of 190 conversion kit	Track only	A340M6026S	1
02	Engine Coolant Temperature Sensor (horizontal)	Brown housing		A111E6046S	1
03	Water Temperature Gauge Sensor (vertical)	Blue housing		A111E6047S	1
04	Oxygen Sensor (O2 sensor)			A111E6059S	1
05	Crankshaft Position sensor			A111E6063S	1
06	Intake Air Temperature Sensor	Green housing		A111E6061S	1
07	Throttle Position Sensor			A111E6064S	1
08	Resonator Valve			A340E6007F	1
09	Vehicle Speed Sensor		A910E6939F R/B	A910E6080F	1
10	Vacuum Reservoir			A100P6018F	1
11	Manifold Air Pressure (MAP) Sensor			A910E6934F	1
12	Barometric Pressure (BARO) Sensor			A918E6081F	1
13	Solenoid Valve, vacuum locking			A082M6420F	1
14	Solenoid Valve, vacuum charging			A082M6421F	1
15	Bolt, M5 x 30, pan hd. pozi. black, ECM fixing	Not illustrated		A082W5142Z	4
16	Washer, flat, M5, ECM fixing	Not illustrated		A075W4011Z	5
17	Washer, M5, nylon, ECM fixing	Not illustrated		A082W4115F	2



Function Code 17.06 Engine Management & Sensors

<u>Dep</u>	<u>Part Description</u>	<u>Remarks</u>	<u>Option</u>	<u>Part Number</u>	<u>Qty</u>
18	Washer, spacer, M5, nylon, ECM fixing	Not illustrated		A111U6035F	2
19	'P' Clip, harness retention	Not illustrated		A075W6230F	3
20	Nyloc nut, M5	Not illustrated		A075W3008Z	1
21	Screw, M5 x 16, pan hd, pozi., solenoid fixing	Not illustrated		A082W5184F	2
22	Washer. flat, M5 x 19 x 1.4, solenoid fixing	Not illustrated		B075W4009Z	2
23	Nut, M5, big hd., solenoid fixing	Not illustrated		A082U6264F	2
24	Seal, oxygen sensor	Not illustrated		A910E7001F	1
25	Bracket, reservoir to stay	Not illustrated		A340E0028F	1
26	Hose Clip. bracket to stay	Not illustrated		A0796019F	2
27	Nyloc Nut, M6, reservoir to bracket	Not illustrated		A907E6285F	2
28	Washer, flat, M6	Not illustrated		A075W4013Z	2
29	Blanking Cap, vacuum locking solenoid	Not illustrated		A340E6018F	1





17.07

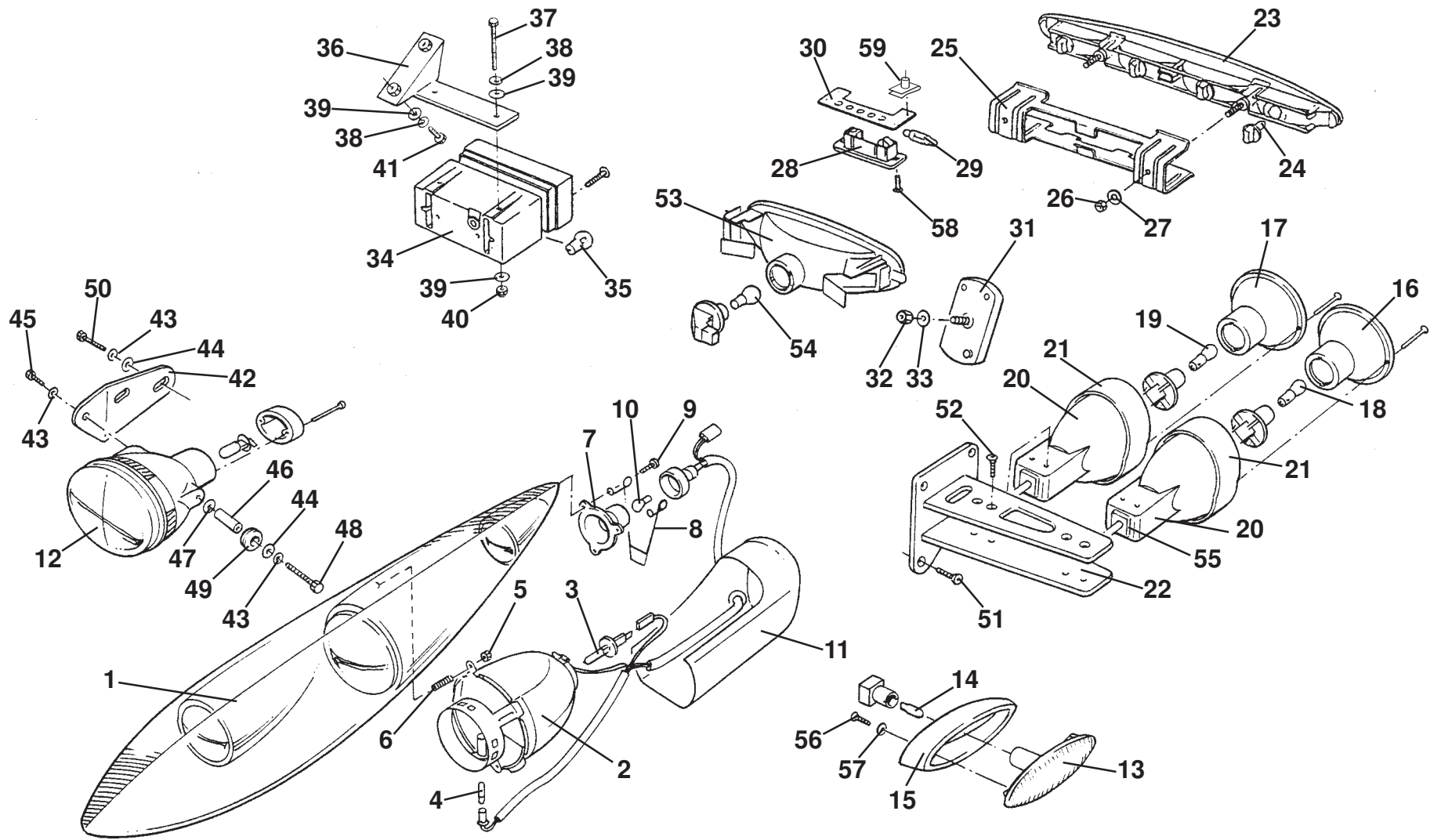
Service Parts List



Function Code 17.07 Instruments, Tell Tales, & Displays

<u>Dep</u>	<u>Part Description</u>	<u>Remarks</u>	<u>Option</u>	<u>Part Number</u>	<u>Qty</u>
01	Speedometer MPH			A340N0002F	1
01a	Speedometer KPH			A340N0001F	1
02	Tachometer			A340N0003F	1
03	Speedometer MPH/Tachometer Kit			A340N0007F	1
03a	Speedometer KPH/Tachometer Kit			A340N0008F	1
04	Sealing Ring, instrument mounting			A340N6001F	2
05	Controller, instruments	Not illustrated		A340N0004S	1
06	Harness, instruments	Not illustrated		A340N0005S	1





17.12

Updated 24th January 2013

Service Parts List



Function Code 17.12 Exterior Lamps, Incl. Headlamps

<u>Dep</u>	<u>Part Description</u>	<u>Remarks</u>	<u>Option</u>	<u>Part Number</u>	<u>Qty</u>
01	Headlamp Lens/Cover Assembly, LH, RHD			A340M0043S	1
01a	Headlamp Lens/Cover Assembly, RH, RHD			A340M0044S	1
01b	Headlamp Lens/Cover Assembly, LH, LHD			A340M0059S	1
01c	Headlamp Lens/Cover Assembly, RH, LHD			A340M0060S	1
02	Headlamp & Sidelamp Assembly, LH, RHD			A340M0049S	1
02a	Headlamp & Sidelamp Assembly, RH, RHD			A340M0050S	1
02b	Headlamp & Sidelamp Assembly, LH, LHD			A340M0047S	1
02c	Headlamp & Sidelamp Assembly, RH, LHD			A340M0048S	1
03	Bulb, dip beam			A075M6126F	2
04	Bulb, sidelamp, 21W			A340M6042S	2
05	Nut, headlamp retaining			A340M0057S	4
06	Spring, headlamp retaining			A340M0056S	4
07	Lamp, direction indicator, LH			A340M0045S	1
07a	Lamp, direction indicator, RH			A340M0046S	1
08	Spring Clip, cover retaining, LH			A340M0055S	1
08a	Spring Clip, cover retaining, RH			A340M0054S	1
09	Screw, lamp & clip retaining			A340M0058S	6
10	Bulb, front indicator			A111M6091S	2



Function Code 17.12 Exterior Lamps, Incl. Headlamps

<u>Dep</u>	<u>Part Description</u>	<u>Remarks</u>	<u>Option</u>	<u>Part Number</u>	<u>Qty</u>
11	Cover/Harness Assembly, LH			A340M0051S	1
11a	Cover/Harness Assembly, RH			A340M0052S	1
12	Driving Lamp			A340M6005F	2
13	Lamp, side repeater			A340M6001F	2
14	Bulb, side repeater			A082M6342F	2
15	Plinth, side repeater mounting			A340M0037F	2
16	Lamp, direction indicator, rear			A340M6002F	2
17	Lamp, stop/tail			A340M6003F	2
18	Bulb, direction indicator, rear			A036M6329F	2
19	Bulb, stop/tail			A036M6331F	2
20	Lamp Housing, stop/tail & indicators			A340U0009F	4
20a	Insert, M5, brass	Not illus. part of item 20		A079W6226F	16
21	Rear Lamp Bezel			A340U0010F	4
22	Bracket, rear lamps mounting, LH			A340U0007F	1
22a	Bracket, rear lamps mounting, RH			A340U0006F	1
23	Lamp, CHMSL			A111M6006F	1
24	Bulb, 12v, 5w, CHMSL			A082M6342F	4
25	Bracket, CHMSL fixing			A111M6034F	1
26	Nyloc Nut, M8, CHMSL fixing			A075W3010Z	2
27	Washer, flat, M8, CHMSL fixing			A075W4020Z	2
28	Lamp, license plate illumination			A111M6002F	2



Function Code 17.12 Exterior Lamps, Incl. Headlamps

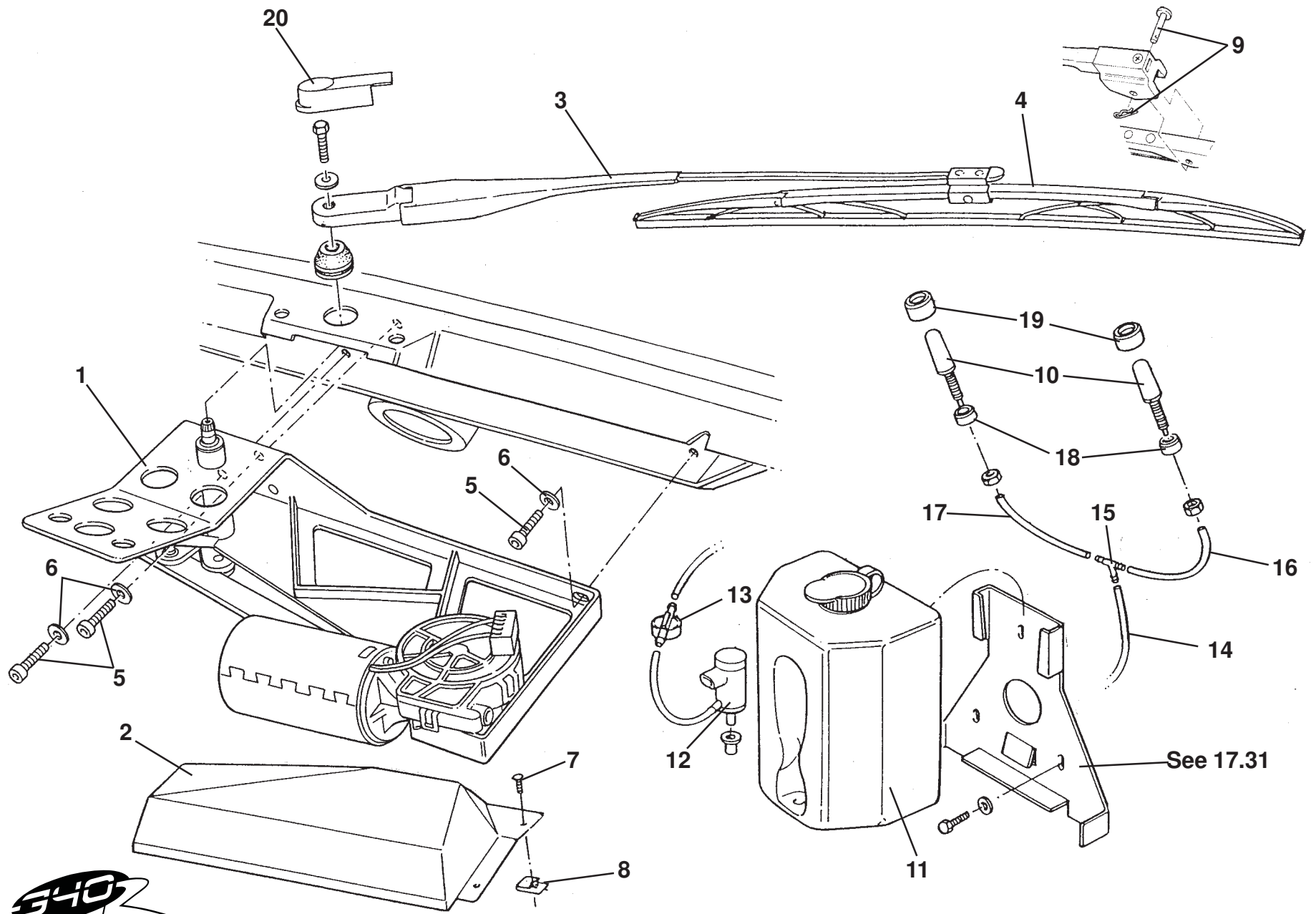
<u>Dep</u>	<u>Part Description</u>	<u>Remarks</u>	<u>Option</u>	<u>Part Number</u>	<u>Qty</u>
29	Bulb, 12v, 5w, license plate lamp			A083M6292F	2
30	Mounting Plate, license plate lamp	Bonded to topshell		A111M0048F	2
31	Rear reflector, LH			A340M6014F	1
31a	Rear reflector, RH			A340M6006F	1
32	Nyloc Nut, M6, reflector to mid-spoiler			A075W3009Z	2
33	Washer, flat, M6 x 15 x 1.5, reflector to mid-spoiler			A075W4015Z	2
34	Lamp, reversing			A111M6003F	1
35	Bulb, 12v, 21w, reversing lamp			A111M6012F	1
36	Mounting Bracket, reversing lamp			A340B0096F	1
37	Screw, M6 x 55, hex. hd., lamp to bracket			A075W2034Z	2
38	Washer, spring, M6			A075W4035Z	2
39	Washer, flat, M6			A075W4015Z	6
40	Nut, M6			A075W3020Z	2
41	Screw, M6 x 16, hex. hd., bracket fix.			A075W1028Z	2
42	Bracket, driving lamp fix./adjusting, LH			B340M0033F	1
42a	Bracket, driving lamp fix./adjusting, RH			B340M0034F	1
43	Washer, shakeproof, M5			A075W4045Z	8
44	Washer, flat, M5			B075W4009Z	6
45	Screw, M5 x 10, hex. hd., bracket to lamp			A100W1105F	2
46	Spacer, driving lamp fix.			A340M0036F	2
47	Washer, flat, M5			A075W4011Z	2



Function Code 17.12 Exterior Lamps, Incl. Headlamps

<u>Dep</u>	<u>Part Description</u>	<u>Remarks</u>	<u>Option</u>	<u>Part Number</u>	<u>Qty</u>
48	Screw, M5 x 35, hex. hd. spacer to lamp			A082W1122F	2
49	Grommet, spacer locating			A036L6004Z	2
50	Screw, M5 x 20, hex. hd., bracket to crash structure			A075W1025F	4
51	Screw, M5 x 12, csk. hd., tail lamp bracket to plate			A340W7192F	6
52	Screw, M5 x 12, csk. hd., tail lamp to bracket			A340W7192F	16
53	Rear Fog Lamp			A340M6004F	1
53a	Cover, ABS, rear fog lamp	Not illus. bonded into mid-spoiler		A340B0122K	1
54	Bulb, rear fog lamp			A111M6012F	1
55	Rear Lamp Pod Insert, rubber			A340M6039F	4
56	Screw, M4 x 20, pan pozi., repeater lamp fix.			A340W1107F	4
57	Washer, flat, M4, repeater lamp fix.			A100W4120F	4
58	Screw No. 6 x 3/4 flg pozi, license plate lamp			A082W5022F	4
59	Spire Nut No.6			A075W6014Z	4





See 17.31

Service Parts List



Function Code 17.21 Windscreen Wiper Motor, Wipers & Washers

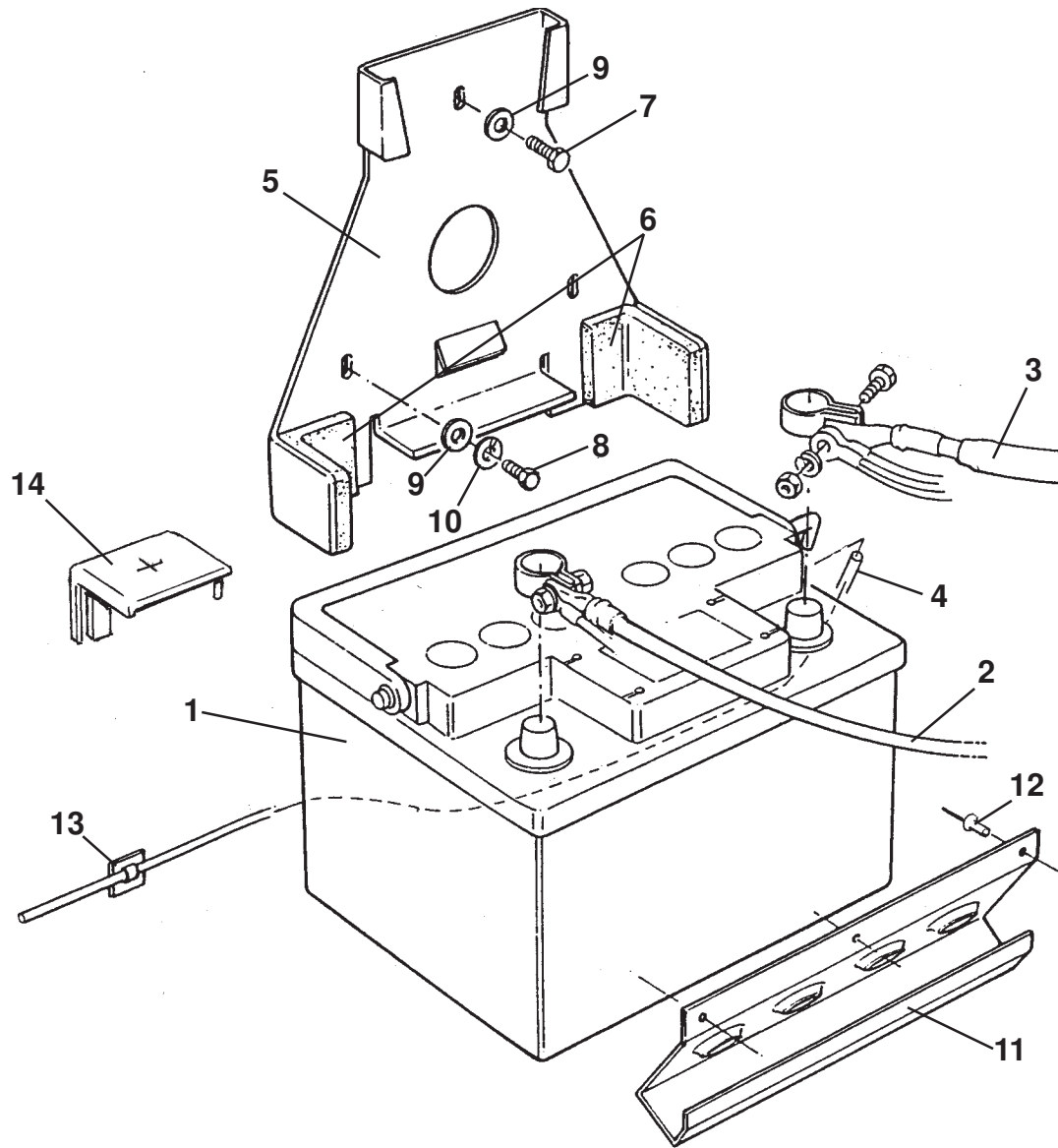
<u>Dep</u>	<u>Part Description</u>	<u>Remarks</u>	<u>Option</u>	<u>Part Number</u>	<u>Qty</u>
01	Wiper Drive assembly, RHD	If unavalible order 01b		C111M0034F	1
01a	Wiper Drive Assembly, LHD	If unavalible order 01c		B111M0033F	1
01b	Wiper Drive Assembly and fitting kit, RHD	Kit to replace wiper drive with fabricated bracket		A117M0104S	1
01c	Wiper Drive Assembly and fitting kit, LHD	Kit to replace wiper drive with fabricated bracket		A117M0103S	1
02	Cover, wiper motor, RHD			A111U0172K	1
02a	Cover, wiper motor, LHD			A111U0173K	1
03	Wiper Arm Assembly			B340M0023F	1
04	Wiper blade Assembly		A111M6031F R/B	A111M6125F	1
05	Screw, M8 x 20, cap hd., bracket to scuttle			A111W7141F	3
06	Washer, M8, spring S/C light			A075W4036Z	3
07	Screw, No.10 x 1/2", pozi., cover fix			A075W5040Z	2
08	Spire Nut No. 8, wiper motor fix.			A075W6016Z	2
09	Pin and Clip Set, wiper blade to arm			A111M6107S	1
10	Windscreen Washer Jet			A082M6369F	2
11	Washer Bottle and Pump Assembly		A111M6029F R/B	A111M6066F	1
12	Washer Pump			A111M6047S	1
13	Non Return Valve, washer fluid			A100M6062H	1



Function Code 17.21 Windscreen Wiper Motor, Wipers & Washers

<u>Dep</u>	<u>Part Description</u>	<u>Remarks</u>	<u>Option</u>	<u>Part Number</u>	<u>Qty</u>
14	Hose, bottle to 'T' piece			B111M0054K	1
15	'T' piece, washers			A111M6045K	1
16	Tube, 'T' piece to washer jet		B111M0056K R/B	A050M6164V	As req.
17	Tube, 'T' piece to washer jet		B111M0055K R/B	A050M6164V	As req.
18	Spacer, washer jet			A111M6046K	2
19	Sleeve, washer jet	Bonded over Jet & Spacer		A111M0065F	2
20	Pivot Cover, wiper arm			A082M6380F	1





17.31

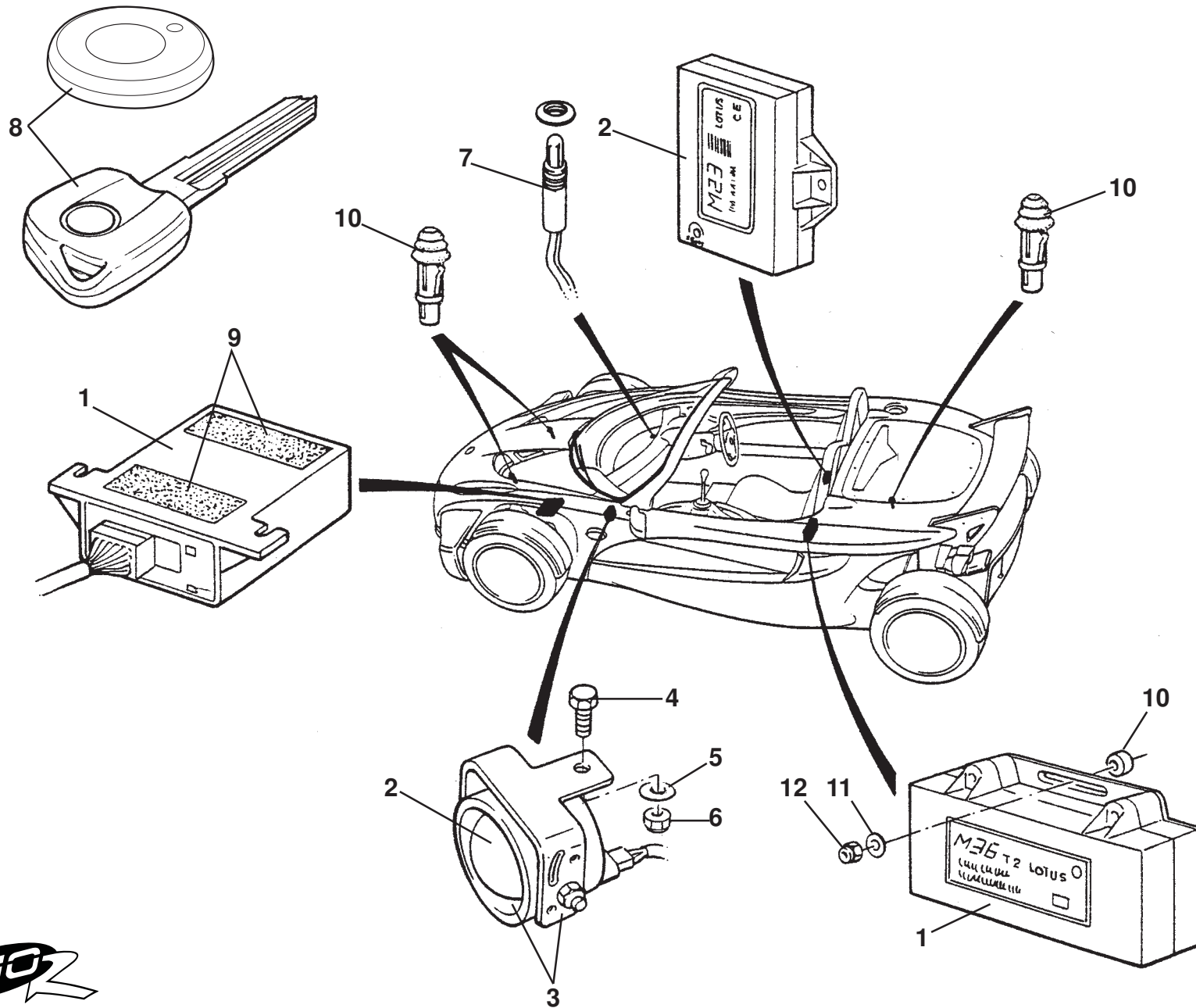
Service Parts List



Function Code 17.31 Battery, Clamps, & Cables

<u>Dep</u>	<u>Part Description</u>	<u>Remarks</u>	<u>Option</u>	<u>Part Number</u>	<u>Qty</u>
01	Standard Battery, Tungstone 063			A111M6007F	1
02	Battery Cable, VE front, RHD			A111M0019F	1
02a	Battery Cable, VE front, LHD			A111M0015F	1
03	Cable, battery, VE positive			A340M0006F	1
04	Vent, battery fumes		A111M0104K	A100M6072V	1
05	Battery Clamp/Washer Bottle Bracket		C111M0025F R/B	D111M0025F	1
06	Foam Seal, battery clamp			A082U6067F	140mm
07	Setscrew, M6 x 16, hex. hd. thin			A075W1082Z	1
08	Setscrew, M6 x 16, hex. hd., battery clamp to chassis			A075W1082Z	2
09	Washer, flat, M6 x 18, battery clamp to chassis			B082W4018F	3
10	Washer, spring, M6, battery clamp to chassis			A075W4035Z	2
11	Locating Bracket			A111M0032F	1
12	Pop Rivet, bracket to chassis			A075W6087Z	3
13	Clip, self adhesive, pipe securing			A100W6376F	1
14	Protective Cover, positive terminal			A111M6079F	1
15	Battery Management Charger, (optional)	Not illustrated	UK	A340M6012S	1
15a	Battery Management Charger, (optional)	Not illustrated	Europe	A340M6015S	1





17.33

Updated 27th february 2013

Service Parts List



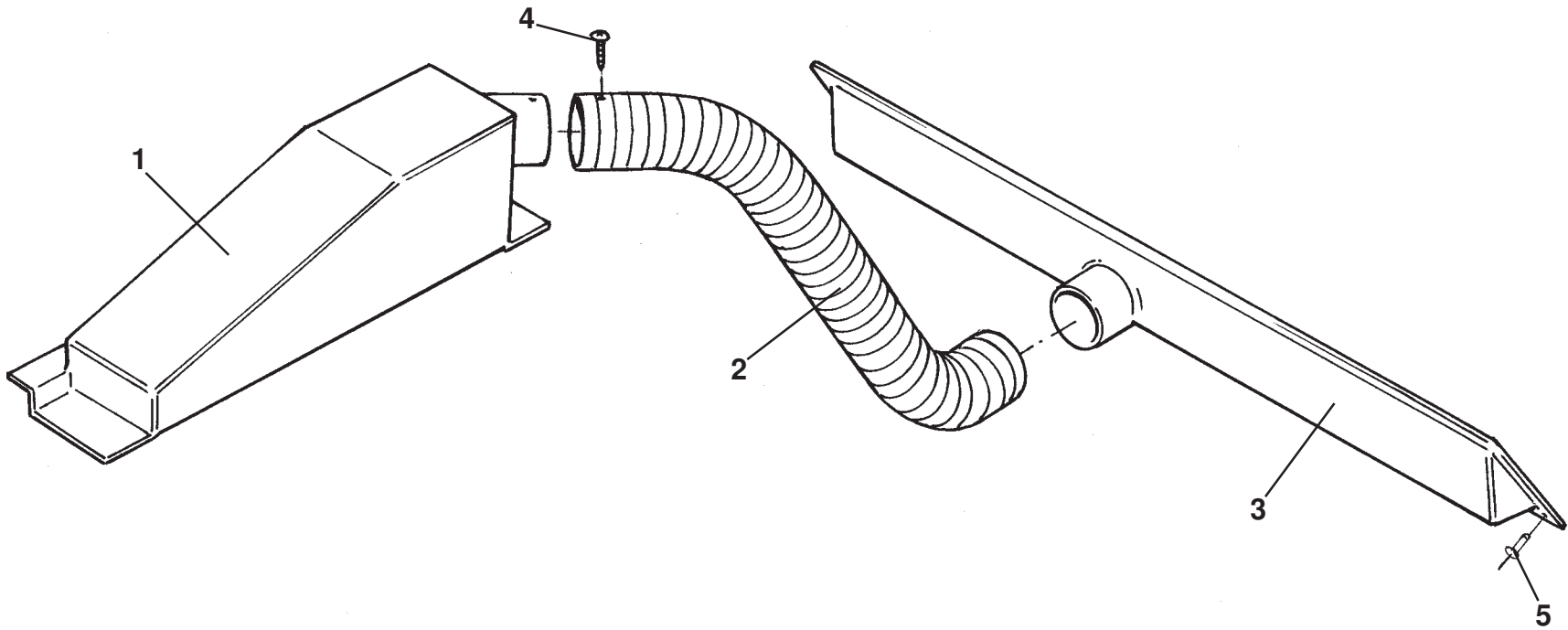
Function Code 17.33 Security Alarm System, Parking Sensors & Camera

<u>Dep</u>	<u>Part Description</u>	<u>Remarks</u>	<u>Option</u>	<u>Part Number</u>	<u>Qty</u>
01	Alarm Controller/Immobiliser Kit	Includes keys	A340M6008F R/B (when nil)	A117M6013F	1
02	Microwave Sensor & Siren Kit		Optional upgrade	A117M6016F	1
03	Siren & Bracket Assembly			A340M6027S	1
04	Setscrew. M6 x 16, hex. hd., bracket fix.			A075W1028Z	1
05	Washer, flat, M6, bracket fix.			A075W4015Z	1
06	Nyloc Nut, M6, bracket fix.			A075W3009Z	1
07	Alarm Tell-Tale LED	Includes leads & connector		A111M6117S	1
08	Transmitter Fob, programmed, without key blade *See below	Order using form A4-A-5303A		A340M6041S	1
09	Fastener, dual lock acrylic,			A340M6032F	4
10	Microswitch, alarm activation	Front access panels/engine cover		A111M6037F	3
11	Washer, flat, M4 x 9 x 0.8			A082U4099F	2
12	Nyloc Nut, immobiliser fix.			A075W3049F	2
13	Bracket, microswitch mounting	Not illustrated, bonded to topshell		B340M0022F	3
14	Harness, alarm	Not illustrated		A340M0008F	1

NOTE: For full information on all Lotus Security Systems, see LSL483g

*Original key with remote in key head no longer available, see parts bulletin LPB2010/33.





18.13

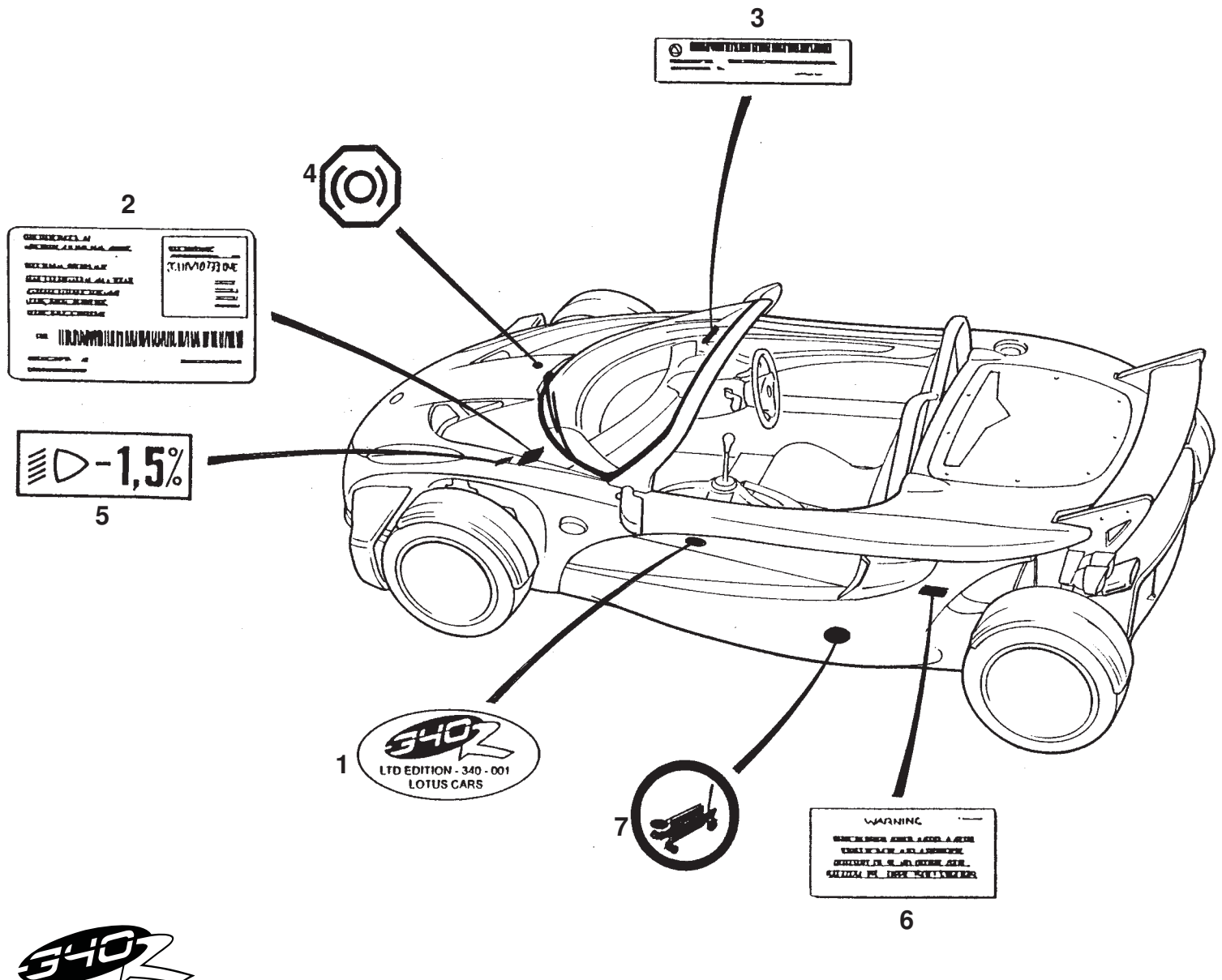
Service Parts List



Function Code 18.13 Air Trunking, Ducts & Ventilators

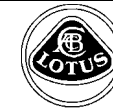
<u>Dep</u>	<u>Part Description</u>	<u>Remarks</u>	<u>Option</u>	<u>Part Number</u>	<u>Qty</u>
01	Ducting, radiator to trunking			A340B0064J	1
02	Trunking, duct to vent			A340P6000K	0.65m
03	Ventilator, cockpit footwell			A340B0099K	1
04	Screw, pan hd. pozi., trunking to duct				1
05	Pop Rivet, vent to footwell			A085W6259F	6
07	Tape, double sided			C075U6071V	0.6m





19.01

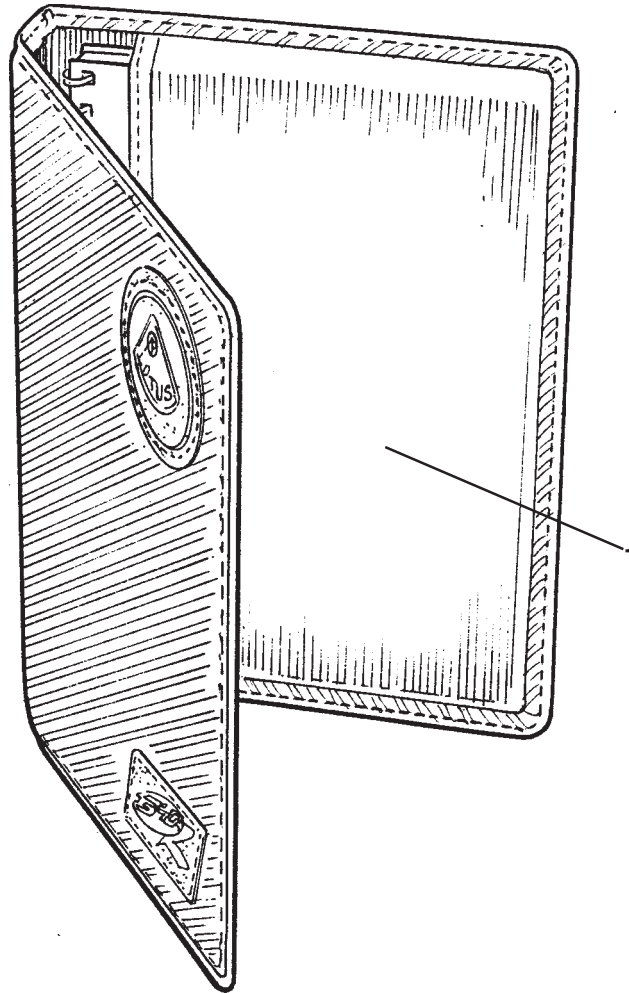
Service Parts List



Function Code 19.01 Labels, Certificates, Literature etc.

<u>Dep</u>	<u>Part Description</u>	<u>Remarks</u>	<u>Option</u>	<u>Part Number</u>	<u>Qty</u>
01	340R Limited Edition Plate	In cockpit, top of passenger side chassis rail		B340U0013F	1
02	Label, VIN (special order only)	In services bay		F075U1186K	1
03	Label, VIN	On windscreen		B079U4666K	1
04	Label, brake fluid warning			A082U7623F	1
05	Label, headlamp levelling, 1.5%			B082U7039F	1
06	Label, shear panel warning			A111A0213F	2
07	Label, jacking point			A111U0239F	2
08	Certificate of Conformity	Contact Lotus Type Approval	All models/markets	Not listed	1





19.03

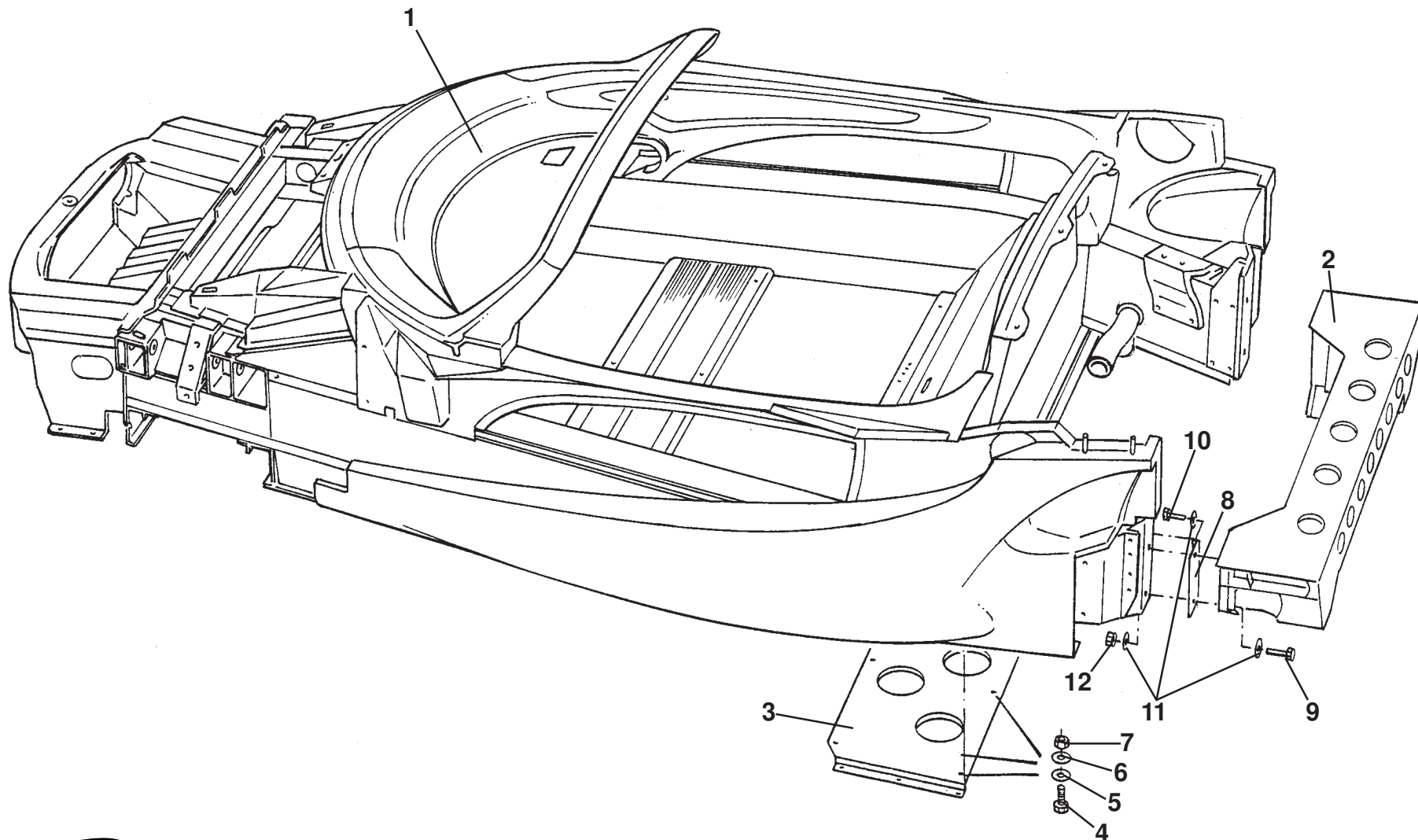
Service Parts List



Function Code 19.03 Owner's Handbooks & Service Notes Manuals

<u>Dep</u>	<u>Part Description</u>	<u>Remarks</u>	<u>Option</u>	<u>Part Number</u>	<u>Qty</u>
01	Owners Handbook		340R	A340T0324J	1
02	Service Notes, (Elise)	Not illustrated, 340R supplement in Elise book	Elise & 340R	A111T0327J	1
03	Service Parts List	Not illustrated	340R	A340T0325J	1
04	Service Labour Time Schedule (Elise)	Not illustrated, incl. in Elise book	Elise, 340R & Exige	D111T0328J	1
05	Maintenance Schedule	Not illustrated, 6.000 mile intervals		B111T0324/2	1





30.01

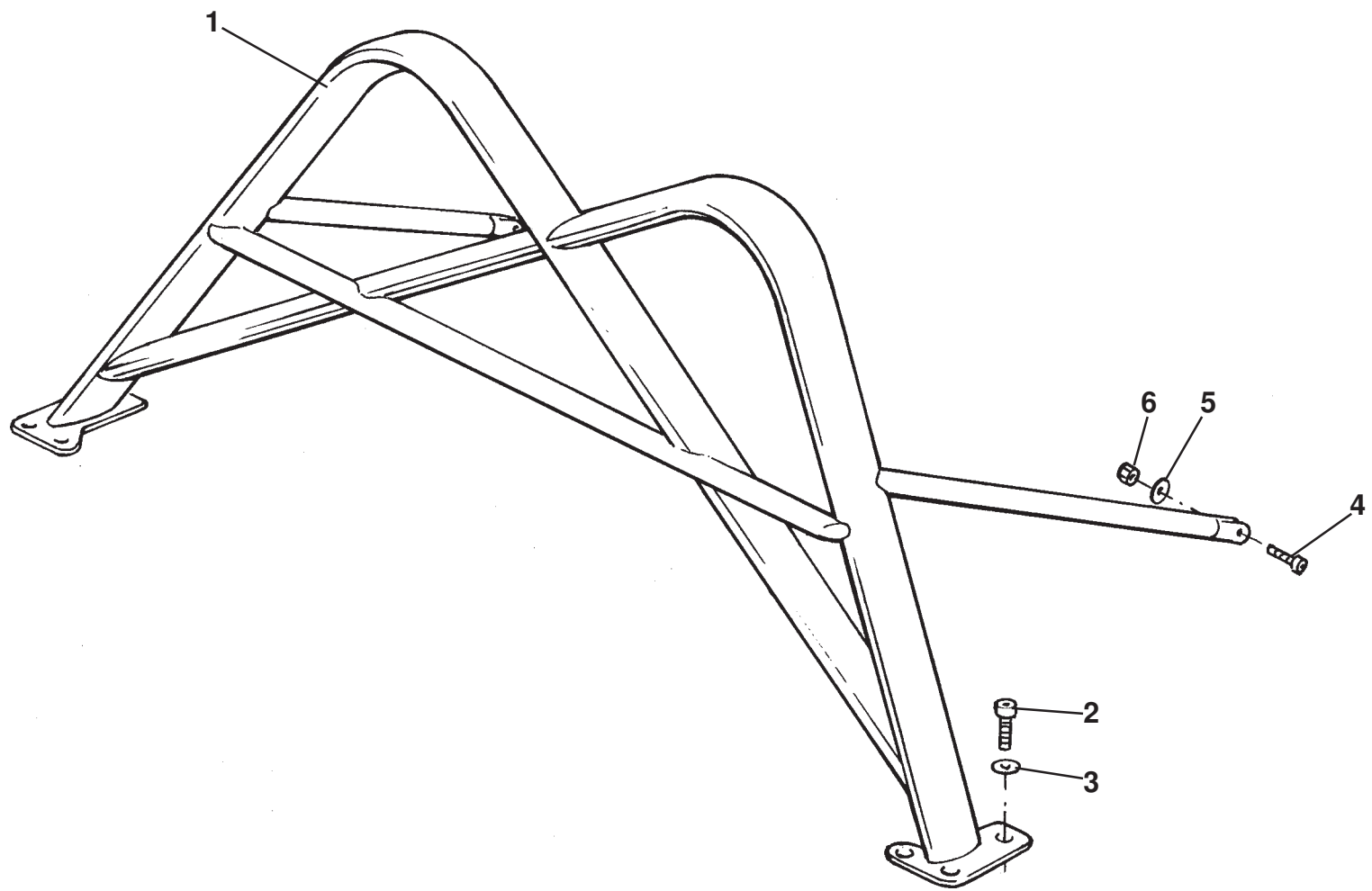
Service Parts List



Function Code 30.01 Chassis, Subframes

<u>Dep</u>	<u>Part Description</u>	<u>Remarks</u>	<u>Option</u>	<u>Part Number</u>	<u>Qty</u>
01	Partial Body Assembly, RHD			A340A0048S	1
01a	Partial Body Assembly, LHD			A340A0049S	1
02	Rear Subframe, galvanised		C111A0057F R/B	F111A0057F	1
03	Shear Panel, fuel tank bay closing panel		C111A0065F R/B	D111A0065F	1
04	Screw, M8 x 25, hex. hd., shear panel fix			A111W1156F	10
05	Washer, flat, M8 x 21 x 1.6			A111W4159F	10
06	Washer, flat, M8 x 16.6 x 1.4			A111W4164F	5
07	Nut, nyloc, M8			A907E6284F	5
08	Shim, chassis to subframe, LH			A111A0217F	1
08a	Shim, chassis to subframe, RH			A111A0216F	1
09	Bolt, M10 x 55, hex. hd.			A111W2181F	2
10	Screw, M10 x 25, hex. hd.			A111W1157F	2
11	Washer, flat, M10 x 20.5 x 1.8			A075W4024Z	8
12	Nut, M10, flg. hd.			A111W3151F	4





30.02

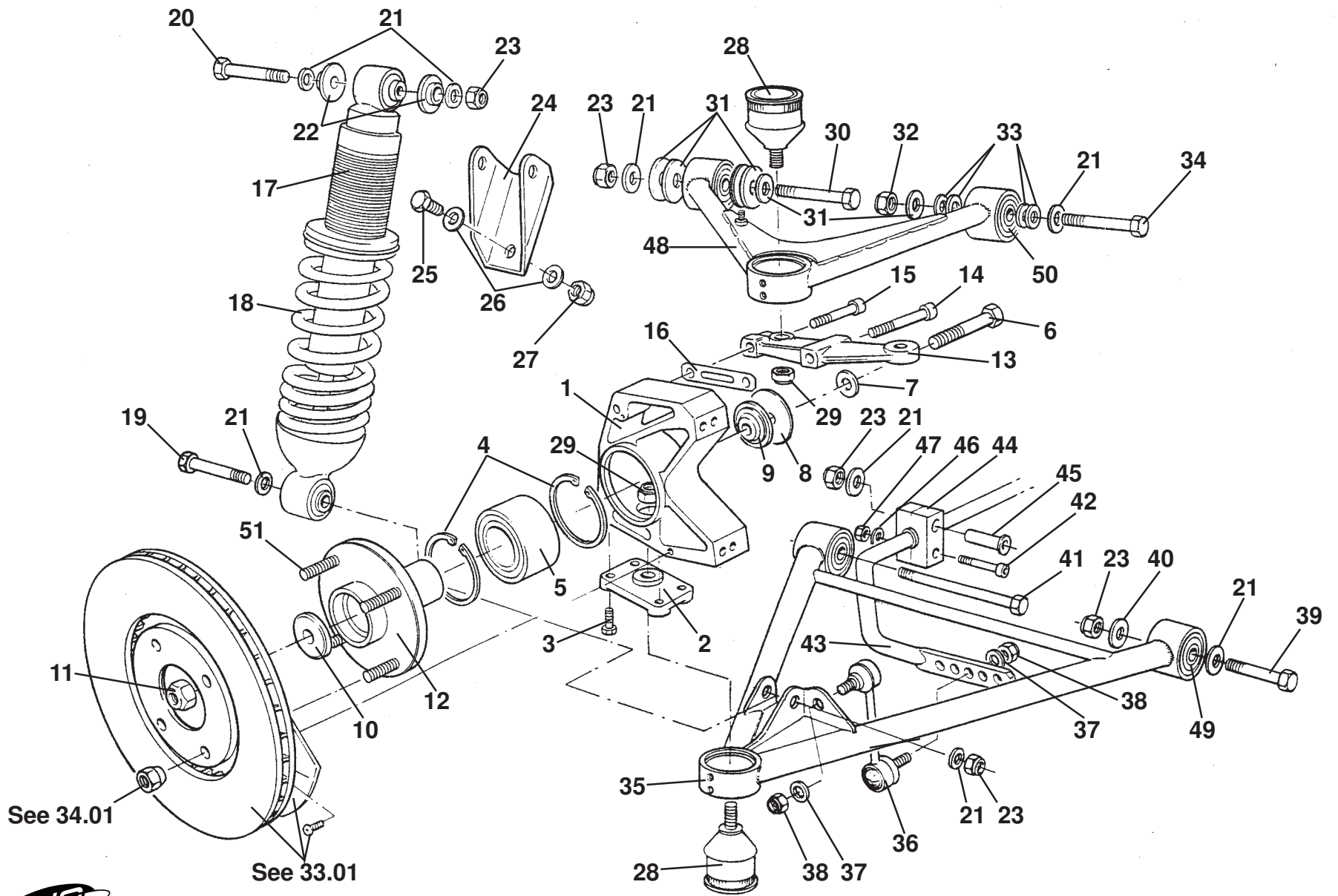
Service Parts List



Function Code 30.02 Seat Belt Mounting Frames, Stays

<u>Dep</u>	<u>Part Description</u>	<u>Remarks</u>	<u>Option</u>	<u>Part Number</u>	<u>Qty</u>
01	Roll-Over Bar			A340A0028F	1
02	Screw, M8 x 25, cap hd., bar to chassis			A111W7132F	6
03	Washer, flat, M8 x 16.6 x 1.4			A075W4020Z	6
04	Setscrew, M10 x 45, cap hd. rear stay fixing			A111W7155F	2
05	Washer, flat, M10 x 21 x 2			A075W4024Z	2
06	Nyloc Nut, M10			A100W3112F	2





31.01

Service Parts List



Function Code 31.01 Front Suspension, Incl. Hubs

<u>Dep</u>	<u>Part Description</u>	<u>Remarks</u>	<u>Option</u>	<u>Part Number</u>	<u>Qty</u>
01	Hub Carrier Assembly, LH	Including bearing	H111C0029K R/B	A111C0141J	1
01a	Hub Carrier Assembly, RH	Including bearing	H111C0030K R/B	A111C0142J	1
02	Ball Joint Carrier, lower LH			A340C0015F	1
02a	Ball Joint Carrier, lower RH			A340C0016F	1
03	Screw, M10 x 30, hex. hd., grade 8.8			A111W1158F	8
04	Circlip, dia. 68mm, bearing retention			A111C6016F	4
05	Bearing, double taper roller			A111C6002F	2
06	Bolt, M16 x 100, hex. hd., hub retention			A111W2185F	2
07	Washer, flat, M16 x 30 x 2, hub retention			A111W4171F	2
08	Dust Shield, hub bearing			B111CC0076F	2
09	Thrust Washer, inner, hub retention			A111C0118F	2
10	Thrust Washer, outer, hub retention			A111C0177F	2
11	Nyloc Nut, M16, hub retention			A111W3159F	2
12	Hub Assembly	Including studs, item 51		A340C0017F	2
13	Steering Arm, LH			A340C0007F	1
13a	Steering Arm, RH			A340C0006F	1
14	Bolt, M10 x 65, cap hd., Steering arm to hub carrier			A111W7144F	2
15	Bolt, M10 x 50, cap hd., Steering arm to hub carrier			A111W7145F	2



Function Code 31.01 Front Suspension, Incl. Hubs

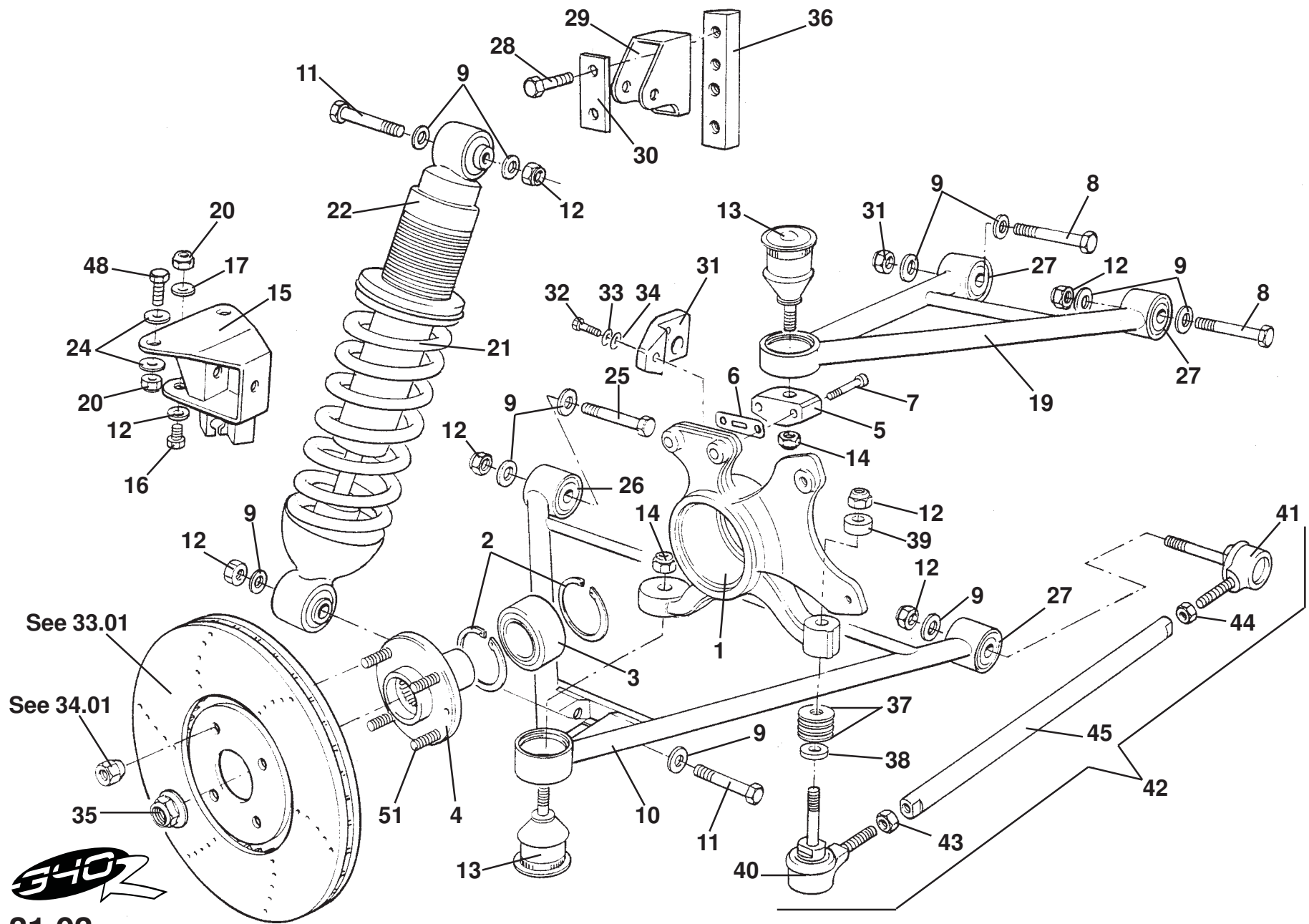
<u>Dep</u>	<u>Part Description</u>	<u>Remarks</u>	<u>Option</u>	<u>Part Number</u>	<u>Qty</u>
16	Shim, 3mm, camber adjustment			C111C0064F	As req.
17	Damper		B111C0116S R/B	C111C0116S	2
18	Road Spring			A111C0136F	2
19	Bolt, M10 x 55, hex. hd., damper bottom fix.			A079W2057F	2
20	Bolt, M10 x 70, hex. hd., damper top fix.			A075W2058Z	2
21	Washer, flat, M10 20.5 x 1.8			A075W4024Z	22
22	Spacer, damper to top mounting bracket			A111C0061F	4
23	Nyloc Nut, M10			A100W3112F	12
24	Damper Mounting Bracket, LH			B111C0033F	1
24a	Damper Mounting Bracket, RH			B111C0034F	1
25	Bolt. M8 x 25, hex. hd., bracket to chassis			A111W1156F	4
26	Washer, flat, M8 x 16.6, bracket to chassis			A111W4164F	4
27	Nyloc Nut, M8, bracket to chassis			A075W3010Z	4
28	Ball Joint	Includes nyloc nut, item 29		B111C6012F	4
29	Nyloc Nut, ball joint fix.			A111C6019S	4
30	Pivot Bolt, M10 x 80, hex. hd., wishbone to chassis			A075W2061Z	2
31	Shim, castor adjustment			A111C0077F	6
32	Snubber Washer, rubber coated, upper wishbone			A111C0081F	2
33	Shim, castor adjustment, small			A111C0080F	8
34	Pivot Bolt, wishbone to chassis			A075W2059Z	2
35	Wishbone Assembly, lower, LH			A340C0021J	1



Function Code 31.01 Front Suspension, Incl. Hubs

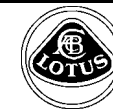
<u>Dep</u>	<u>Part Description</u>	<u>Remarks</u>	<u>Option</u>	<u>Part Number</u>	<u>Qty</u>
35a	Wishbone Assembly, lower, RH			A340C0020J	1
36	Anti-Roll Bar Drop Link			A111C0063F	2
37	Washer, flat, M10 x 24 x 1.5			A075W4023F	2
38	Nyloc Nut, M10 x 1.25, drop link fix.			A111W3152F	2
39	Pivot Bolt, M10 x 85., hex. hd., wishbone to chassis			A079W2063F	2
40	Washer, flat, M10		A111W4163F R/B	B111W4163F	6
41	Pivot Bolt, M10 x 130, hex. hd.			A075W2065F	2
42	Bolt, M5 x 45, cap hd., pivot block fix.			A082W2106F	2
43	Anti-Roll Bar, adjustable			A111C0134S	1
44	Mounting Clamp, nylon, A/R bar			B111C0052F	2
45	Bush, 'top hat'. A/R bar pivot block			A111C0060F	2
46	Washer, flat M5 x 10 x 1			A075W4011Z	2
47	Nyloc Nut, M5, pivot block fix.			A100W3113F	2
48	Wishbone Assembly, upper, LH			A340C0023J	1
48a	Wishbone Assembly, upper, RH			A340C0022J	1
49	Bush, lower wishbone/upper wishbone front pivots			A111C0075F	6
50	Bush, upper wishbone rear pivots			A111C0108F	2
51	Wheel Stud, 42mm protrusion	For 340R wheels only, part of hub, item 12		A340C6009S	8
52	Duralec Jointing Compound	Not illustrated, applied to wheel mounting face of hub		A111C6017S	125MI





31.03

Service Parts List



Function Code 31.03 Rear Suspension, Incl. Hubs

<u>Dep</u>	<u>Part Description</u>	<u>Remarks</u>	<u>Option</u>	<u>Part Number</u>	<u>Qty</u>
01	Hub Carrier, LH	Excluding bearings		A111D0143K	1
01a	Hub Carrier, RH	Excluding bearings	A111D0142K R/B	B111D0142K	1
02	Circlip			A111C6016F	4
03	Bearing			A111C6002F	2
04	Hub Assembly	Including studs, item 46		A340C0017F	2
05	Ball Joint Carrier, upper			A340D0005F	2
06	Shim, camber adjustment			D111D0052F	As req.
07	Bolt, M10 x 50, cap hd., ball joint carrier to hub carrier			A111W7145F	4
08	Pivot Bolt, M10 x 55, hex. hd., upper wishbone F & R			A079W2057F	4
09	Washer, flat, M10 x 20.5	Zinc finish		A075W4024Z	22
10	Lower Wishbone Assembly, LH	Includes balljoint & bushes		A340D0013J	1
10a	Lower Wishbone Assembly, RH	Includes balljoint & bushes		A340D0012J	1
11	Bolt, M10 x 55, hex. hd., spring/damper fixing			A079W2057F	4
12	Nyloc Nut, M10			A100W3112F	14
13	Ball Joint	Includes nyloc nut		B111C6012F	4
14	Nyloc Nut, ball joint			A111C6019S	4
15	Bracket, lower wishbone to chassis, LH			B111D0027F	1
15a	Bracket, lower wishbone to chassis, RH			B111D0026F	1



Function Code 31.03 Rear Suspension, Incl. Hubs

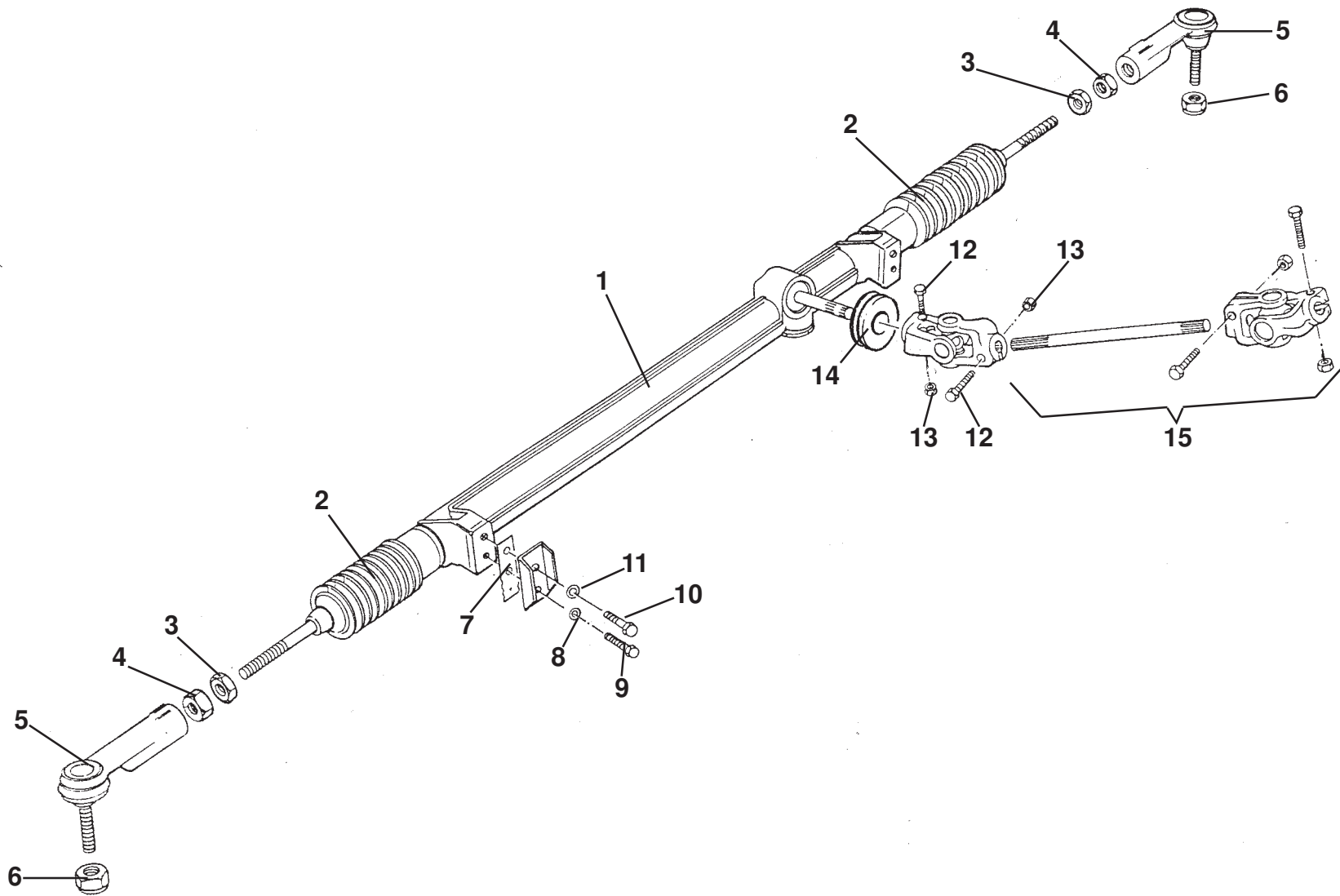
<u>Dep</u>	<u>Part Description</u>	<u>Remarks</u>	<u>Option</u>	<u>Part Number</u>	<u>Qty</u>
16	Bolt, M8, bracket to chassis			A111W1156F	2
17	Washer, flat, upper, M8 x 20.5 x 1.5 S/S			A111W4176F	2
18	Washer, flat, lower, M8 x 16.6 x 1.4			A111W4164F	2
19	Upper Wishbone Assembly, LH	Includes balljoint & bushes		A340D0015J	1
19a	Upper Wishbone Assembly, RH	Includes balljoint & bushes		A340D0014J	1
20	Nyloc Nut, M8			A907E6284F	2
21	Road Spring			A111D0132F	2
22	Damper			B111D0089F	2
23	Screw, M10 x 25, hex. hd., bracket to chassis			A111W1157F	2
24	Washer, flat, M10		A111W4163F R/B	B111W4163F	4
25	Pivot Bolt, M10 x 65, hex. hd., lower wishbone front			A075W2056Z	2
26	Bush, lower wishbone front pivot (short)			A111D0061F	4
27	Bush, lower wishbone rear / upper wishbones			A111C0075F	6
28	Bolt, M10 x 35, hex. hd., damper bracket to chassis			A075W2051Z	4
29	Bracket, damper top mount			A111D0076F	2
30	Spreader Plate, damper bracket			A111D0125F	2
31	Speed Sensor Mounting Bracket		A111D0148F R/B	B111D0148F	1
32	Setscrew, M6 x 25, bracket fix.			A075W1031Z	1
33	Washer, spring, M6			A075W4035Z	1
34	Washer, flat, M6			A075W4013Z	1
35	Flange Nut, hub securing			A100R6002F	2



Function Code 31.03 Rear Suspension, Incl. Hubs

<u>Dep</u>	<u>Part Description</u>	<u>Remarks</u>	<u>Option</u>	<u>Part Number</u>	<u>Qty</u>
36	Tapping Block, bracket mounting	Also for aerofoil support plate lower fix.	A340A0042F R/B	B340A0042F	2
37	Shim, 1mm, bump steer adjustment			A111D0044F	8
38	Spacer, 3mm, toe link to hub carrier			A111D0146F	2
39	Spacer, 10mm, toe link stud to nut			A111D0147F	2
40	Ball Joint, outer, RH thread			A111D0134F	2
41	Ball Joint, inner, LH thread			A111D0135F	2
42	Toe Link Assembly			A340D0008J	2
43	Locknut, M12, RH thread, ball joint to rod,			A111W3150F	2
44	Locknut, M12, LH thread, ball joint to rod			A111W3149F	2
45	Toe Link Rod			A340D0007F	2
46	Wheel Stud, 42mm protrusion	For 340R wheels only, part of hub, item 4		A340C6009S	8
47	Duralec Jointing Compound	Not illustrated, applied to wheel mounting face of hub		A111C6017S	125MI





32.01

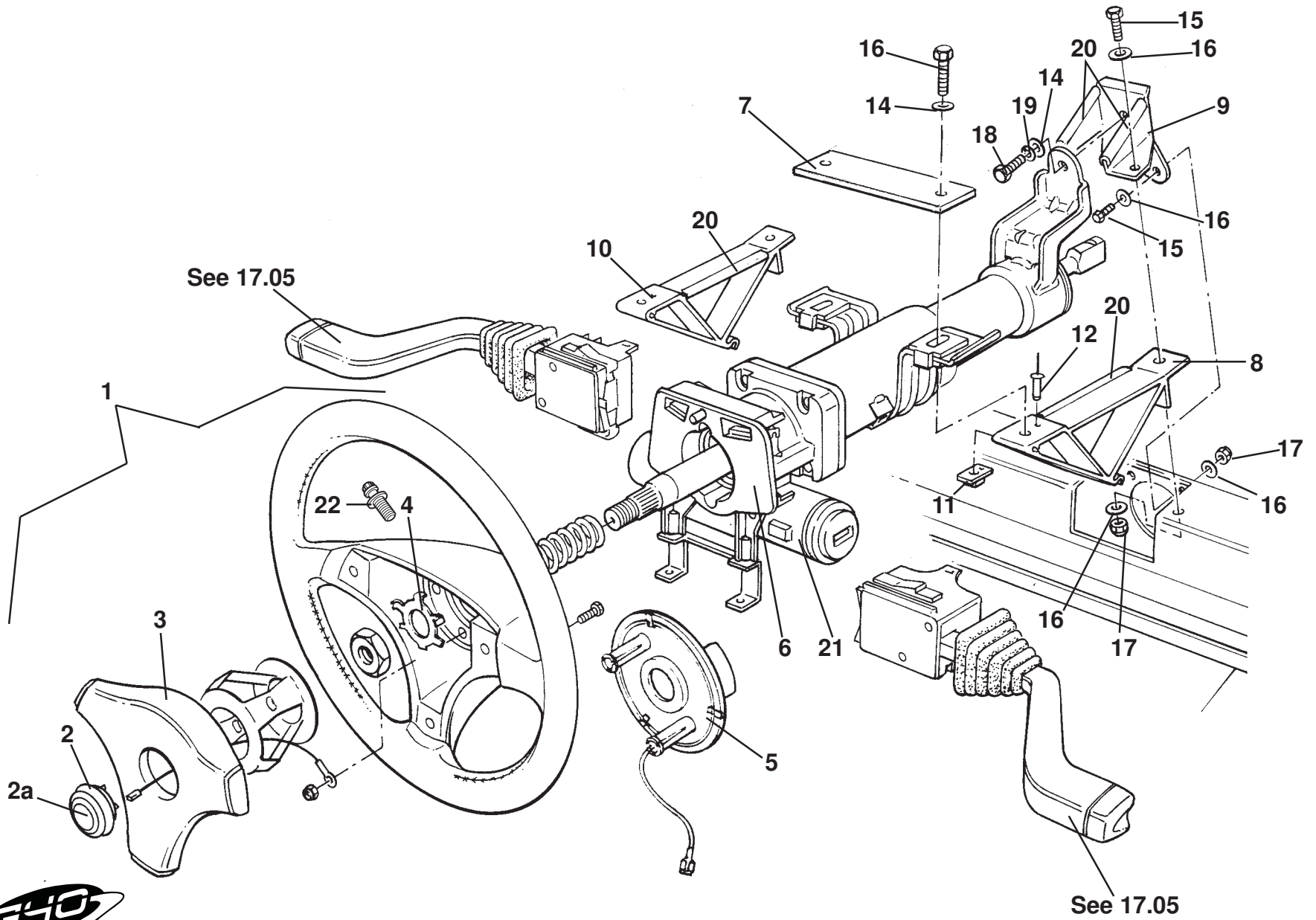
Service Parts List



Function Code 32.01 Rack & Pinion, & Lower Column

<u>Dep</u>	<u>Part Description</u>	<u>Remarks</u>	<u>Option</u>	<u>Part Number</u>	<u>Qty</u>
01	Steering Rack Assembly, RHD		C111H0010F R/B	E111H0010F	1
01a	Steering Rack Assembly, LHD		C111H0009F R/B	E111H0009F	1
02	Gaiter, steering rack		A111H6016F R/B	B111H6016S	2
03	Lock Nut, half nut, M12, track rod end to track rod			A111W3150F	2
04	Lock Nut, M12, track rod end to track rod			A111W3124F	2
05	Track Rod End/Ball Joint	Includes nut, item: 6		A111H6015F	2
06	Nyloc Nut, M10, track rod end to steering arm			A111W3152F	2
07	Adjuster Plate, rack height setting (10 notch)			A111H0021F	2
08	Washer, flat, M8, rack mounting			A075W4020Z	2
09	Setscrew, M8 x 25, hex. hd., rack mounting			A082W1110F	2
10	Setscrew. M10 x 30, hex. hd., rack mounting			A100A6028F	2
11	Washer, flat, M10, rack mounting			A075W4024Z	2
12	Bolt, M8 x 40, hex. hd., 10.9 grade, steering shaft U/J			A918E2171F	4
13	Nyloc Nut, M8, steering shaft to U/J			A075W3010Z	4
14	Grommet, steering shaft thro' bulkhead			A082H6046F	1
15	Intermediate Steering Shaft Assembly			B111H0003F	1





32.05

Updated 24th January 2013

Service Parts List



Function Code 32.05 Upper Column, Steering Wheel

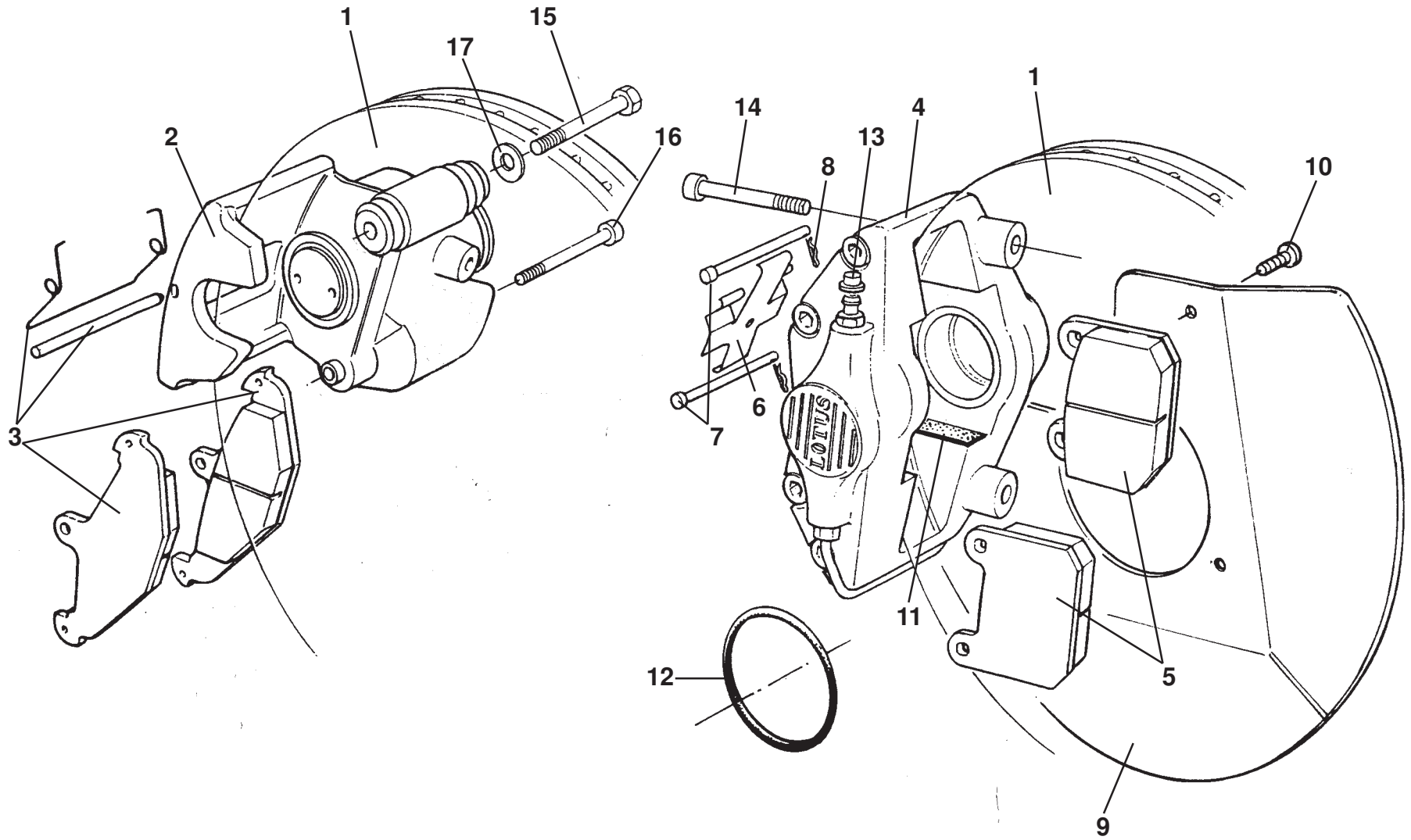
<u>Dep</u>	<u>Part Description</u>	<u>Remarks</u>	<u>Option</u>	<u>Part Number</u>	<u>Qty</u>
01	Steering Wheel Assembly			A340H0002K	1
02	Horn Push, (less badge)			A111H6021H	1
02a	Horn Badge, Lotus logo			A111H6023H	1
03	Crash Pad			A111H6020H	1
04	Lock Plate, steering wheel			A111H6009F	1
05	Horn Contact Plate			A111H6008F	1
06	Upper Steering Column	Includes ign. switch/steering lock		A111H6007F	1
07	Bracket, upper steering column			B340H0001F	1
08	Column Mounting Bracket, RH			A111A0098F	1
09	Bracket, forward column mounting			B111H0004F	1
10	Column Mounting Bracket, LH			A111A0097F	1
11	Nutplate, upper column support			B111H0007F	2
12	Pop Rivet, nutplate to bracket			A111W6586F	2
13	Bolt, M8 x 35, hex. hd., column to bracket			A075W2038D	2
14	Washer, flat, M8 x 20 x 2.5			A079W4019F	3
15	Setscrew, M6 x 16, side to forward brk./chassis			A075W1028Z	4
16	Washer, flat, M6 x 12.1 x 1.4			A075W4013Z	8
17	Nyloc Nut, M6			A907E6258F	4



Function Code 32.05 Upper Column, Steering Wheel

<u>Dep</u>	<u>Part Description</u>	<u>Remarks</u>	<u>Option</u>	<u>Part Number</u>	<u>Qty</u>
18	Setscrew, M8 x 16 hex.hd., front mounting			A075W1036Z	1
19	Washer, spring, M8			A075W4036Z	1
20	Rubber Beading, bracket edge protection			B075U6054V	0.3M
21	Steering Lock Housing	Excluding lock barrel		A111H6003S	1
22	Shear Bolt, steering lock			A111H6026S	2
23	Splined Hub, steering wheel	Not illustrated, part of item 1		A111H6018S	1





33.01

Service Parts List



Function Code 33.01 Brake Discs, Calipers, & Parking Brake Assembly

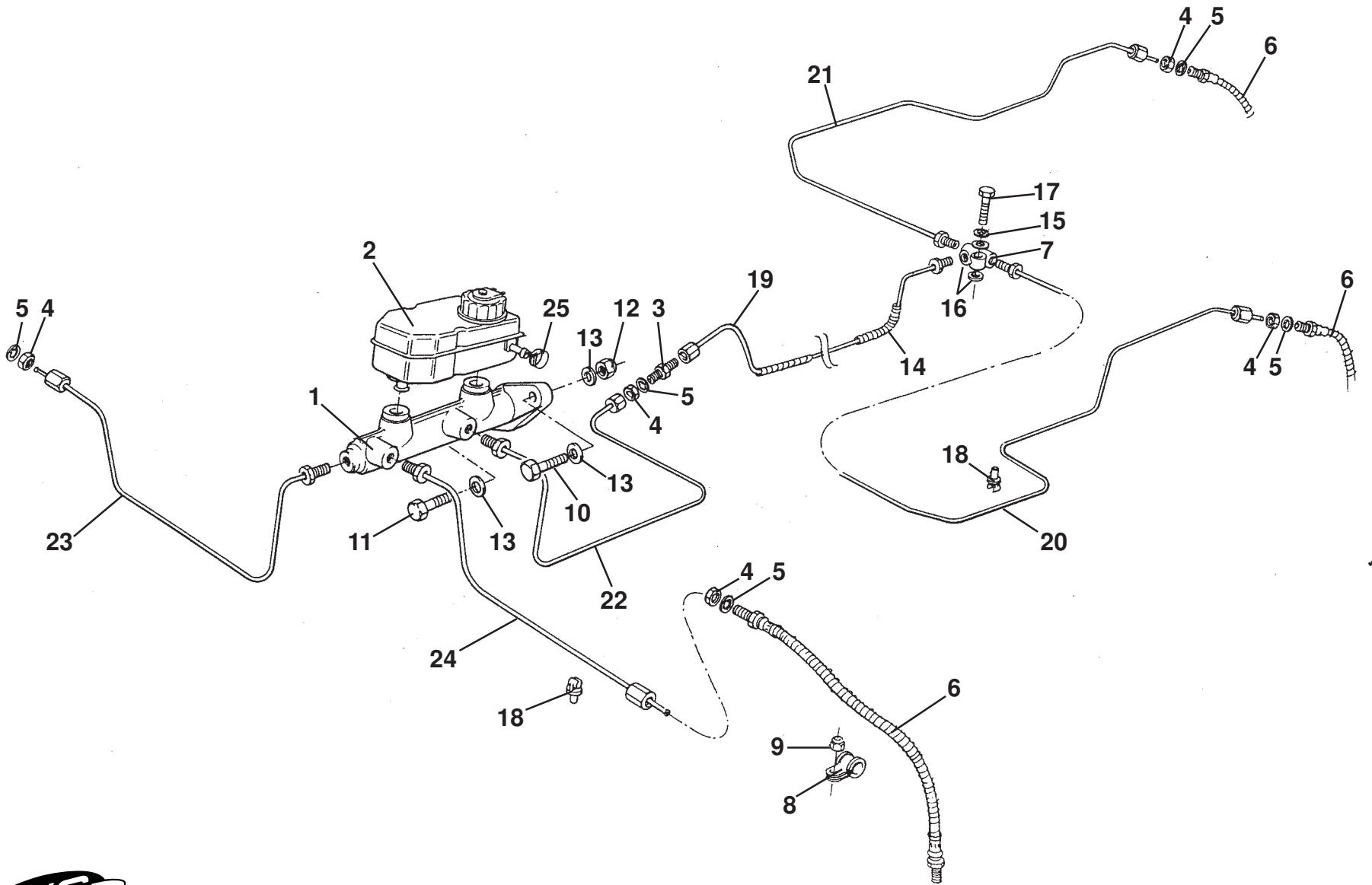
<u>Dep</u>	<u>Part Description</u>	<u>Remarks</u>	<u>Option</u>	<u>Part Number</u>	<u>Qty</u>
01	Brake Disc, iron, cross drilled			A111J0141F	4
02	Brake Caliper, rear, RH		A111J0148F R/B	B116J0080F	1
02a	Brake Caliper, rear, RH	No pads		B116J0082S	1
02b	Brake Caliper, rear, LH		A111J0149F R/B	B116J0079F	1
02c	Brake Caliper, rear, LH	No pads		B116J0081S	1
03	Brake Pad Set, rear			B117J0085S	1
04	Brake Caliper front, RH			A111J0120F	1
04a	Brake Caliper front, LH			A111J0119F	1
05	Brake Pad Set, front			B117J0084S	1
06	Anti-Rattle Spring, front brake pads			A111J0098F	2
07	Pin, front pad retaining		A111J0101S R/B	A111J0123F	4
08	'R' Clip, pin retention			A075W6175F	4
09	Brake Disc Shield, front, RH			A111J0126F	1
09a	Brake Disc Shield, front, LH			A111J0125F	1
10	Setscrew, M5 x 16, button hd., shield fixing			A111W7156F	6
11	Buffer, front brake pads			A111J6030S	4
12	'O' Ring, brake disc to hub			A111J6024F	4
13	Nipple Cover, front brake bleed			A111J6029F	2



Function Code 33.01 Brake Discs, Calipers, & Parking Brake Assembly

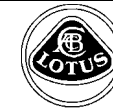
<u>Dep</u>	<u>Part Description</u>	<u>Remarks</u>	<u>Option</u>	<u>Part Number</u>	<u>Qty</u>
14	Bolt. M10 x 75, cap hd., front caliper fixing			A111W7140F	4
15	Bolt, M10 x 80, hex. hd., rear caliper fixing			B082W1113F	2
16	Bolt, M8 x 60, cap hd., rear caliper fixing	Black finish	B082W1114F R/B	A111W1166F	2
17	Washer, flat, M10 x 20.5, rear caliper upper fixing bolt			A075W4024Z	2
18	Sliding Pin Bush Kit, rear calipers	Includes sleeves, boots & seals		A082J6162S	2
19	Piston Retraction Tool, rear calipers	Not illustrated		T000T1242F	1





33.03

Service Parts List



Function Code 33.03 Master Cylinder, Servo, ABS Controller, Pipes & Hoses

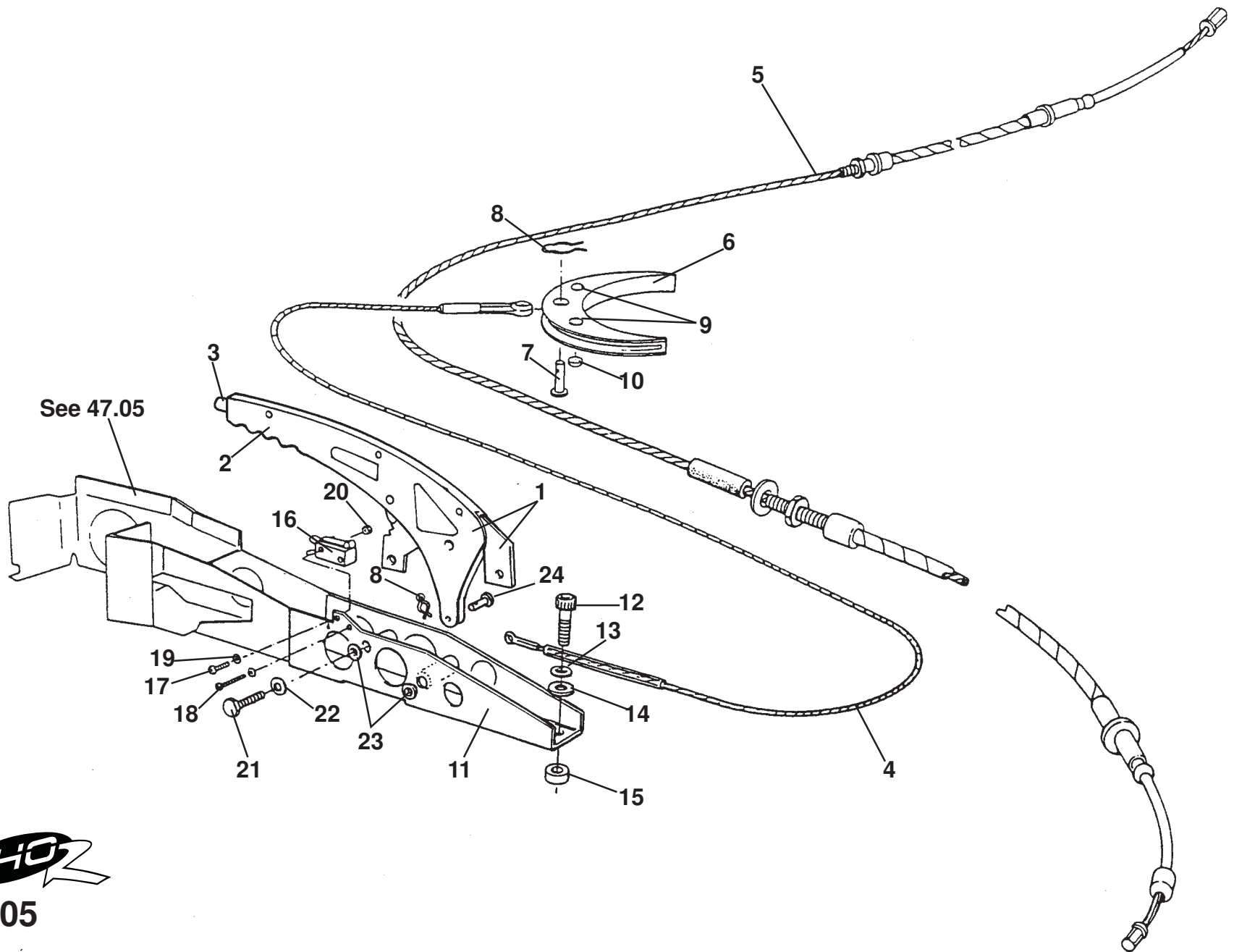
<u>Dep</u>	<u>Part Description</u>	<u>Remarks</u>	<u>Option</u>	<u>Part Number</u>	<u>Qty</u>
01	Tandem Master Cylinder		A111J0079F R/B	A111J6001L	1
02	Reservoir		A111J6002F R/B	B111J6002F	1
03	Bulkhead Connector			A089J6013F	1
04	Nut, M10 x 1.0, thin Zn			A075J6017Z	4
05	Washer, M10, internal shakeproof			A075W4049Z	4
06	Brake Hose, pipe to caliper, front & rear		A082J4390F R/B	A120J0044F	4
07	Connector Three Way, brakepipes			B075J6019F	1
08	Clip, 10dia. x 15 wide, hose retention	Upper front, lower rear wishbones		A111W6595F	4
09	Dome Nut, M6, clip to upper front wishbone			A340W3167F	2
09a	Nyloc Nut, M6, thin Zn, clip to lower rear wishbone	Not illustrated		A907E6285F	2
10	Setscrew, M8 x 25, master cylinder to pedal box			A075W1039Z	1
11	Setscrew, M8 x 20, master cylinder to pedal Box			A075W1038Z	1
12	Nyloc Nut, M8, master cylinder to pedal pox			A111W3126F	1
13	Washer, flat, M8			A075W4020Z	3
14	Spirathene Protector, front to rear pipe			A111J6023V	800mm
15	Washer, spring, M6			A075W4035Z	1
16	Washer, flat M6 x 12.1 x 1.4			A075W4013Z	2
17	Bolt, M6 x 30, long hex. hd.			A075W2028Z	1



Function Code 33.03 Master Cylinder, Servo, ABS Controller, Pipes & Hoses

<u>Dep</u>	<u>Part Description</u>	<u>Remarks</u>	<u>Option</u>	<u>Part Number</u>	<u>Qty</u>
18	Nylon Clip			A075J6027Z	11
19	Brake Pipe, front to rear			A111J0059F	1
20	Brake Pipe, rear LH		C111J0057K R/B	C111J0071F	1
21	Brake Pipe, rear RH		A111J0058K R/B	C111J0071F	1
22	Brake Pipe, front main RHD		B111J0060K R/B	A111J0088K	1
22a	Brake Pipe, front main LHD			B111J0061K	1
23	Brake Pipe, front RH, RHD			A111J0062F	1
23a	Brake Pipe, front RH, LHD			A111J0064F	1
24	Brake Pipe, front LH,RHD			A111J0063F	1
24a	Brake Pipe, front LH, LHD			B111J0065F	1
25	Hose Clip, reservoir to clutch master cyl. pipe			TBA	1





33.05

Service Parts List



Function Code 33.05 Parking Brake Mechanism

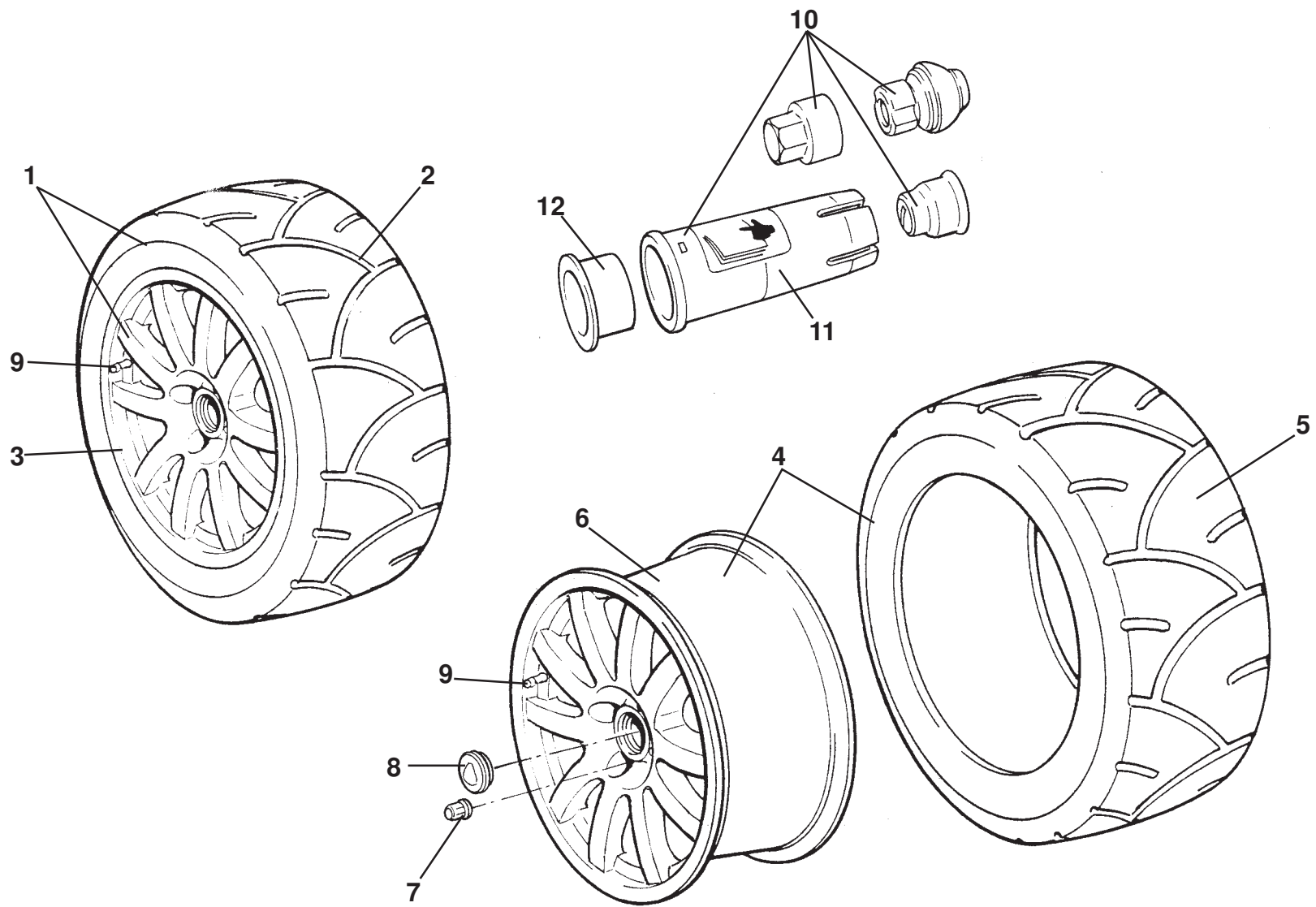
<u>Dep</u>	<u>Part Description</u>	<u>Remarks</u>	<u>Option</u>	<u>Part Number</u>	<u>Qty</u>
01	Parking Brake Lever Assembly			A340J0010F	1
02	Parking Brake Lever			A340J0007F	1
03	Button, parking brake lever			A340J0008F	1
04	Cable, parking brake primary			B111J0025F	1
05	Cable, parking brake secondary			B111J0024F	1
06	Equaliser, parking brake	Part of item 5		A111J6014H	1
07	Clevis Pin, equaliser, dia 8 x 10.5		A111J0026FR/B	A111W6674F	2
08	'R' Clip			A075W6175F	2
09	Bumper, self adhesive		A111J6025F R/B	B111J6025F	2
10	Bumper, self adhesive			A111J6027F	2
11	Mounting Channel, parking brake assembly			C111J0027F	1
12	Screw, M8 x 30, cap hd.			A089W7052F	2
13	Washer, spring M8			A075W4036Z	2
14	Washer, flat, M8 x 16.6 x 1.4			A075W4020Z	2
15	Spacer, parking brake channel to floor			A111J0030K	2
16	Switch, parking brake tell tale			A111M6025F	1
17	Screw, M3 x 16, pan hd. pozi.			A082W5110F	1
18	Screw, M3 x 20, pan hd. pozi.			A082W5163F	1



Function Code 33.05 Parking Brake Mechanism

<u>Dep</u>	<u>Part Description</u>	<u>Remarks</u>	<u>Option</u>	<u>Part Number</u>	<u>Qty</u>
19	Washer, flat M3 x 7			A100W4125F	2
20	Nyloc Nut, M3			A079W3060F	2
21	Screw, M8 x 25 hex. thn. hd.			A075W1081Z	2
22	Washer, spring, M8			A075W4036Z	2
23	Bush, parking brake			A111J0028K	2
24	Clevis Pin, parking brake			A075W6033Z	1





34.01

Service Parts List



Function Code 34.01 Wheels, Tyres & Valves

<u>Dep</u>	<u>Part Description</u>	<u>Remarks</u>	<u>Option</u>	<u>Part Number</u>	<u>Qty</u>
01	Wheel and Tyre Assembly, magnesium, front, RH			A340G0002F	1
01a	Wheel and Tyre Assembly, magnesium, front, LH			A340G0001F	1
01b	Wheel and Tyre Assembly, alloy, front, RH		LHD	A340G6008F	1
01c	Wheel and Tyre Assembly, alloy, front, LH		LHD	A340G6009F	1
02	Tyre, front, 195/50 ZR 15, Yokohama A038-R			A111G6048F	2
03	Road Wheel, magnesium, front, 6J x 15			A340G6002L	2
03a	Road Wheel, alloy, front, 6J x 15		LHD	A340G6004H	2
04	Wheel and Tyre Assembly, magnesium, rear, RH			A340G0004F	1
04a	Wheel and Tyre Assembly, magnesium, rear, LH			A340G0003F	1
04b	Wheel and Tyre Assembly, alloy, rear, RH		LHD	A340G6010F	1
04c	Wheel and Tyre Assembly, alloy, rear, LH		LHD	A340G6011F	1
05	Tyre, rear, 225/45 ZR 16, Yokohama A038-R			A111G6049F	2
06	Road Wheel, magnesium, rear, 8J x 16			A340G6003L	2
06a	Road Wheel, alloy, rear, 7.5J x 16		LHD	A340G6005H	2
07	Wheel Nut			A111G6001F	4
08	Wheel Centre Cap, Lotus logo			A111G6034S	4
09	Tyre Valve, magnesium wheel		LHD	A340G0007H	4
09a	Tyre Valve, alloy wheel			A111G6002H	4

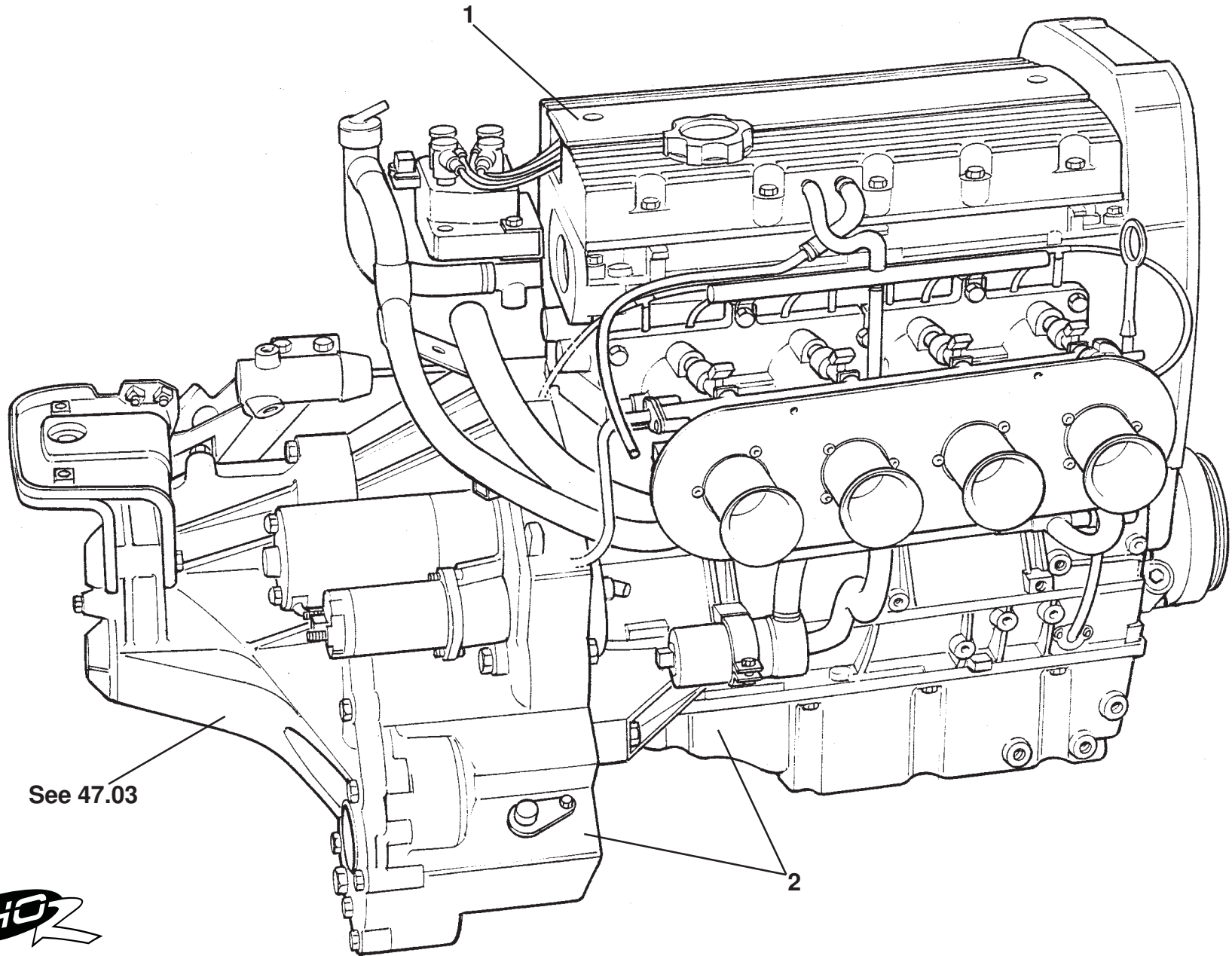


Function Code 34.01 Wheels, Tyres & Valves

<u>Dep</u>	<u>Part Description</u>	<u>Remarks</u>	<u>Option</u>	<u>Part Number</u>	<u>Qty</u>
10	Security Wheelnut Kit			A111G6008F	1
11	Extractor Tool, security wheelnut cover	Container for wheelnut key		A111G6017H	1
12	Protection Cap, security wheelnut stowage			A111G6013F	1
13	Wheel Centre Cover, alloy wheel front	Not illustrated, includes screw	LHD	A340G6006H	2
14	Wheel Centre Cover, alloy wheel rear	Not illustrated, includes screw	LHD	A340G6007H	2

NOTE: 340R wheels are not to be fitted to other Elise variants, unless 340R wheel studs are fitted (see sections 3101/03)





40.00

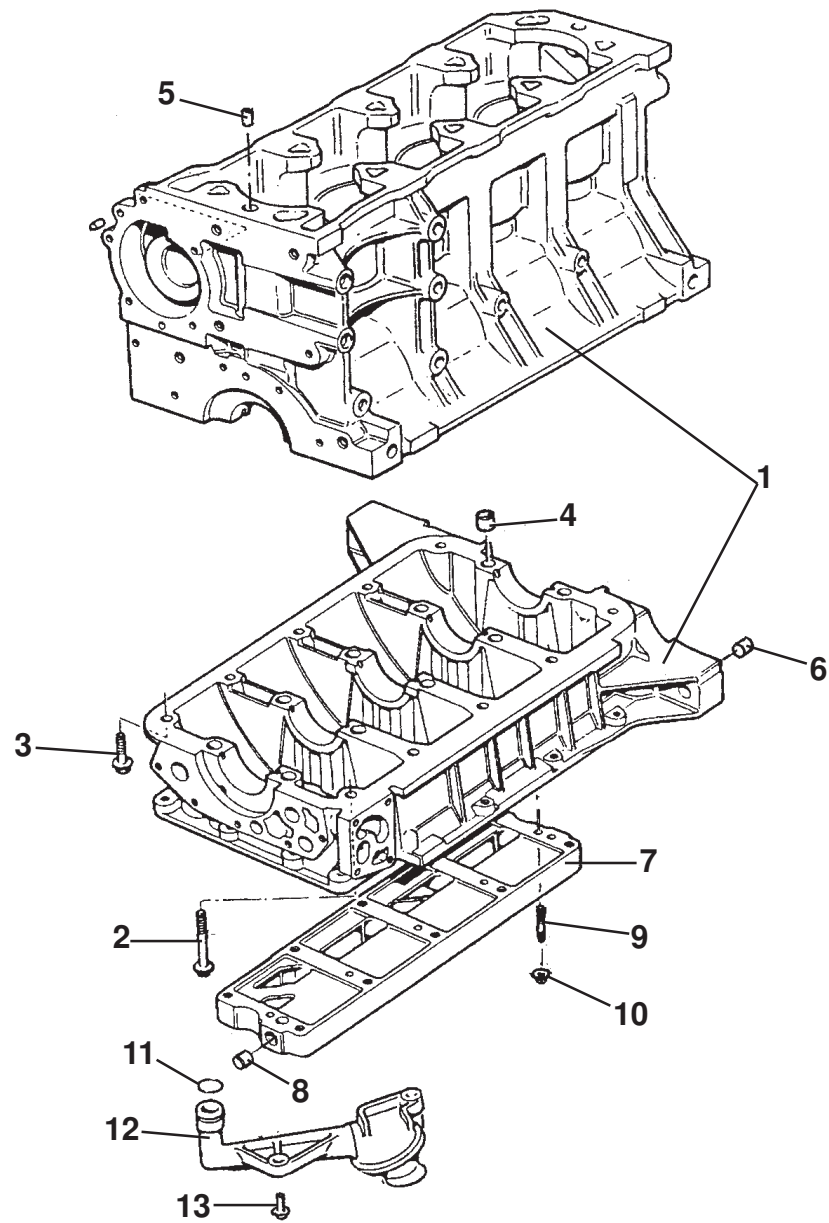
Service Parts List



Function Code 40.00 Engine Assemblies

<u>Dep</u>	<u>Part Description</u>	<u>Remarks</u>	<u>Option</u>	<u>Part Number</u>	<u>Qty</u>
01	Engine Assembly, dressed	Including clutch & ancillaries		A340E6005F	1
02	Engine & Transmission Assembly	Includes fitting kit, for transmission assembly see 4703		A340E6001F	1





40.01

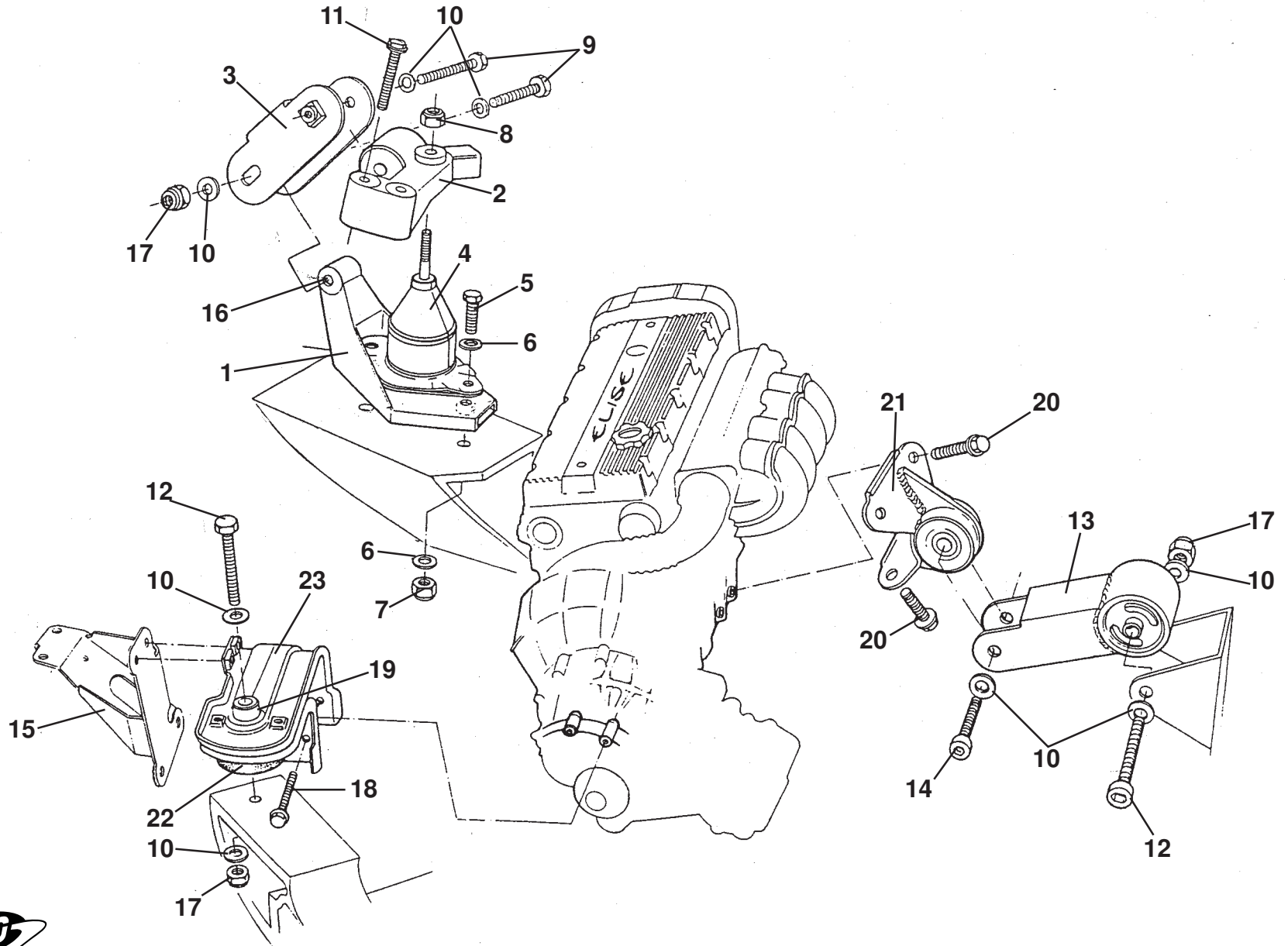
Service Parts List



Function Code 40.01 Engine Block & Oil Pick up

<u>Dep</u>	<u>Part Description</u>	<u>Remarks</u>	<u>Option</u>	<u>Part Number</u>	<u>Qty</u>
01	Cylinder Block Assembly	Includes Bearing Ladder		A111E6185S	1
02	Bolt, ladder to block			A111E6186S	1
03	Screw, ladder to block			A111E6187S	9
04	Dowel, ladder to block			A111E6188S	2
05	Dowel, block to head			A111E6175S	2
06	Dowel, block to gearbox			A111E6189S	2
07	Rail, oil feed			A111E6190S	1
08	Core Plug			A111E6191S	2
09	Stud, rail to ladder			A111E6192S	2
10	Nut, rail fixing			A111E6193S	2
11	'O' Ring, oil pick-up pipe seal	Also See 40.02		A111E6066S	1
12	Oil Pick-Up Pipe			A111E6167S	1
13	Bolt, oil pick-up pipe fix			A111E6168S	1





40.01a

Service Parts List



Function Code 40.01a Engine Mounts

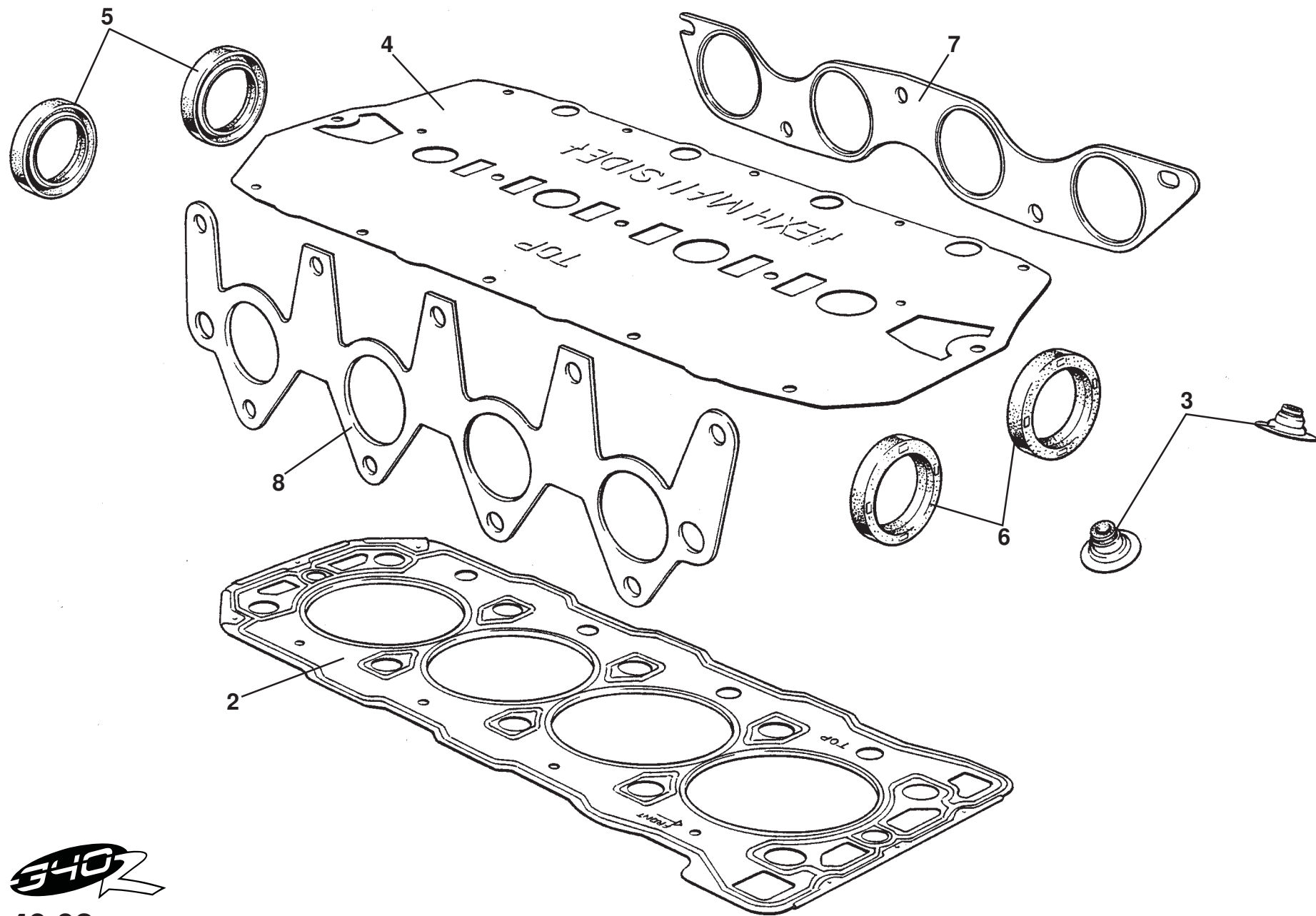
<u>Dep</u>	<u>Part Description</u>	<u>Remarks</u>	<u>Option</u>	<u>Part Number</u>	<u>Qty</u>
01	Bracket, engine upper mount, chassis RH			D111E0004F	1
02	Bracket, engine upper mount, engine RH			A111E6027F	1
03	Engine Steady Arm, upper			A111E6014F	1
04	Hydromount Assembly			A111E6002F	1
05	Bolt, M10 x 45			A111W2175F	2
06	Washer, M10 x 20.5		A111W4163F R/B	B111W4163F	4
07	Nyloc Nut, M10			A100W3112F	2
08	Nut, M12 x 1.75			A111W3155F	1
09	Bolt, M12 x 70			A100D6023F	2
10	Washer, flat, M12			A075W4028Z	9
11	Bolt, M14 x 2 x 80			A111E6008F	2
12	Bolt, M12 x 90			A075W2073F	2
13	Engine Steady Arm, lower			A111E6029F	1
14	Bolt, M12 x 60			A075W2070Z	1
15	Mounting Leg, clutch slave cylinder			A111E6139S	1
16	Bush, steady arm to mount			A111E6016F	1
17	Nyloc Nut, M12			A075W3012Z	4
18	Bolt, M10, flg. hd.			A111E6137S	2



Function Code 40.01a Engine Mounts

<u>Dep</u>	<u>Part Description</u>	<u>Remarks</u>	<u>Option</u>	<u>Part Number</u>	<u>Qty</u>
19	Spacer, engine mount to chassis			A111F6002F	1
20	Screw, flanged head			A111E6134S	4
21	Bracket, steady arm to engine			A111E6133S	1
22	Engine/Transmission Mounting, LH			A111F6186F	1
23	Bracket, engine/transmission mounting, LH			A111E6136S	1





40.02

Service Parts List



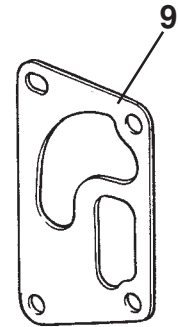
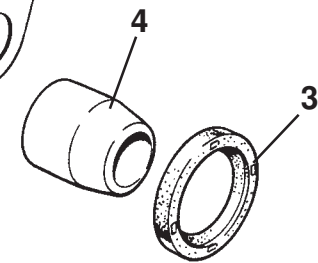
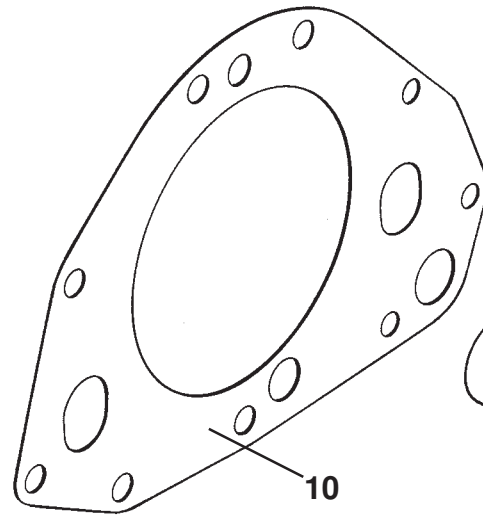
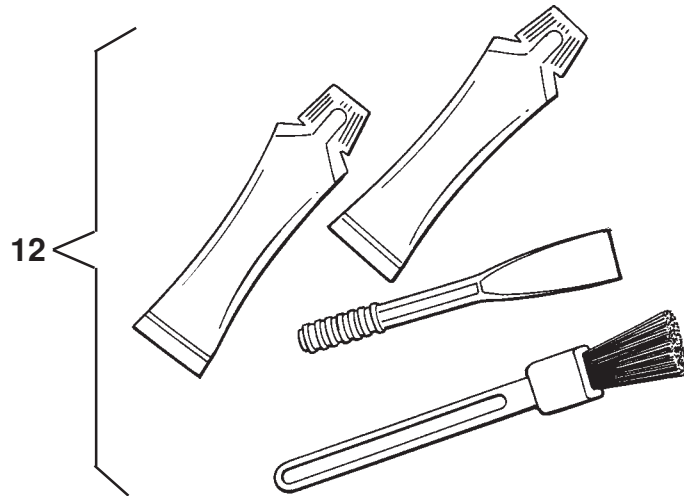
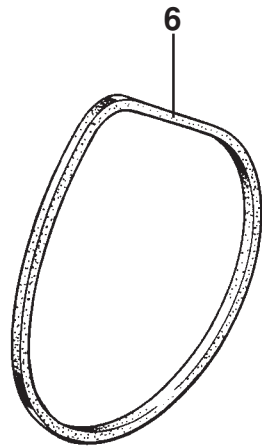
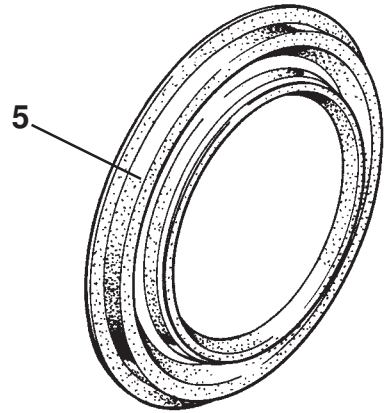
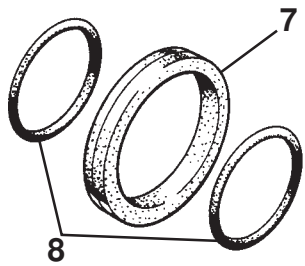
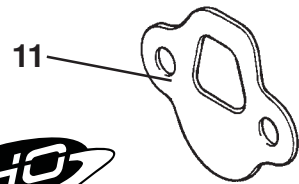
Function Code 40.02 Gaskets & Sealants, Top Overhaul Set

<u>Dep</u>	<u>Part Description</u>	<u>Remarks</u>	<u>Option</u>	<u>Part Number</u>	<u>Qty</u>
01	Top Overhaul Gasket Set	Comprises items 2 to 8		A111E6319S	1
02	Gasket, cylinder head	Also see 40.05		A111E6103S	1
03	Oil Seal, valve stem	Also see 40.05		A111E6171S	16
04	Gasket, cam cover	Also see 40.07		A111E6052S	1
05	Oil Seal, camshaft, rear, red	Also see 40.07		A111E6271S	2
06	Oil Seal, camshaft, front, black	Also see 40.07		A111E6272S	2
07	Gasket, exhaust manifold			A111E6051S	1
08	Gasket, inlet manifold			A111E6323S	1
09	Liquid Sealant, cam carrier to head	Not illustrated		A111E6172S	1





40.02a



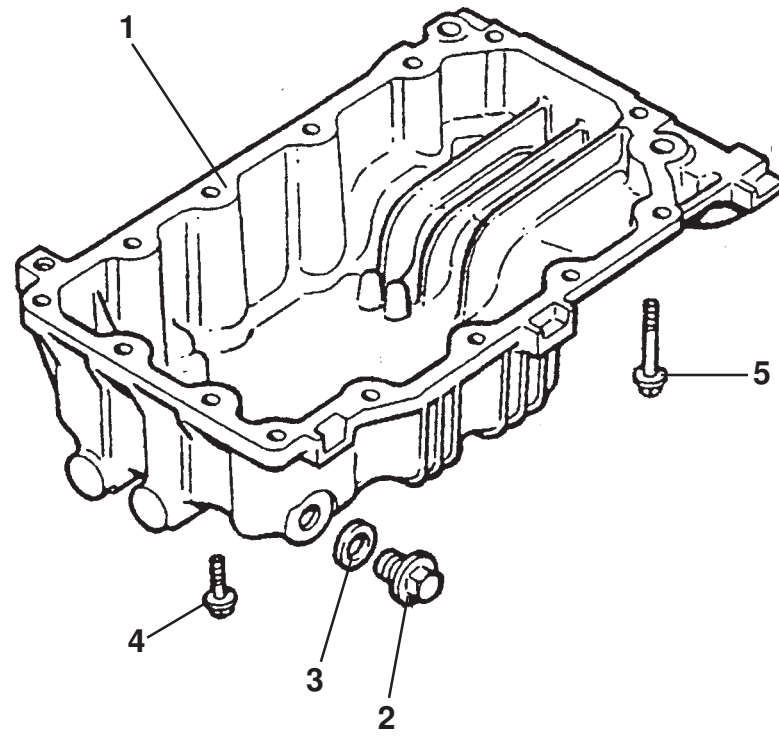
Service Parts List



Function Code 40.02a Gaskets & Sealants, Bottom Overhaul Set

<u>Dep</u>	<u>Part Description</u>	<u>Remarks</u>	<u>Option</u>	<u>Part Number</u>	<u>Qty</u>
01	Bottom Overhaul Gasket Set	Comprises items 2 to 11		A111E6050S	1
02	O' Ring, oil pick-up pipe	Also see 40.01		A111E6066S	1
03	Oil Seal, crankshaft front	Also see 40.11		A111E6054S	1
04	Fitting tool, oil seal	Supplied With Seal		T000T1257F	1
05	Oil Seal, crankshaft rear	Also see 40.11		A111E6057S	1
06	Gasket, water pump	Also see 40.13		A111E6080S	1
07	Sealing Ring, thermostat housing	Also see 40.13		A111E6084S	1
08	O' Ring, thermostat housing	Also see 40.13		A111E6067S	2
09	Gasket, oil filter housing	Also see 40.15		A111E6101S	1
10	Gasket, oil pump	Also see 40.15		A111E6053S	1
11	Gasket, dip stick tube	Also see 40.15		A111E6009F	1
12	Liquid Gasket Kit, for sump			A111E6048S	1
13	Liner Sealant	Not illustrated		A918E6069V	1





40.03

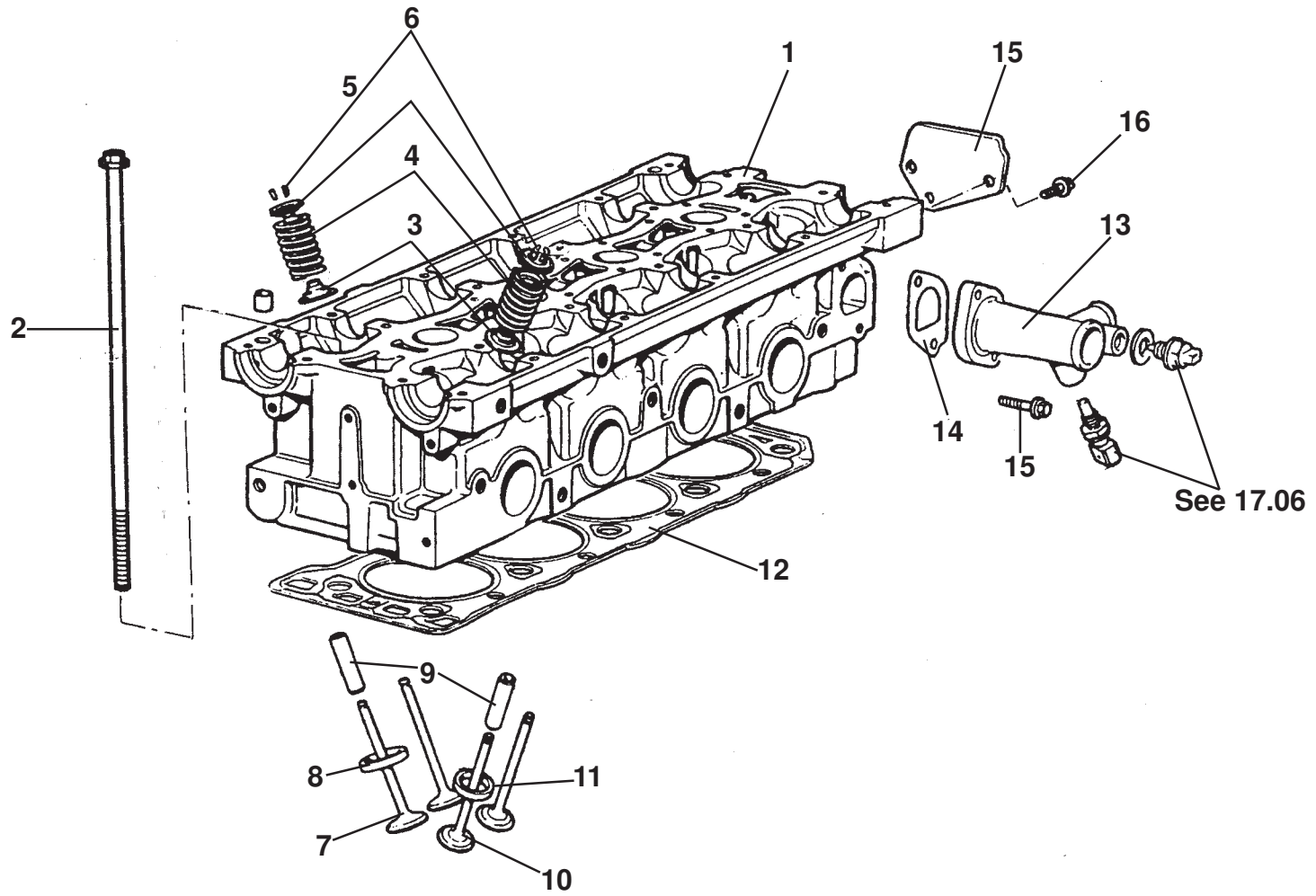
Service Parts List



Function Code 40.03 Sump Assembly

<u>Dep</u>	<u>Part Description</u>	<u>Remarks</u>	<u>Option</u>	<u>Part Number</u>	<u>Qty</u>
01	Oil Sump			A111E6089S	1
02	Sump Plug			A111E6077S	1
03	Washer, sump plug			A111E6035S	1
04	Fixing Bolt (short)		A111E6187S R/B	B111E6187S	12
05	Fixing Bolt (long)			A111E6343S	2
06	Sealant, Three Bond 1133E, sump to bearing ladder	Not illustrated	A111E6172S R/B	A117E6102S	1





40.05

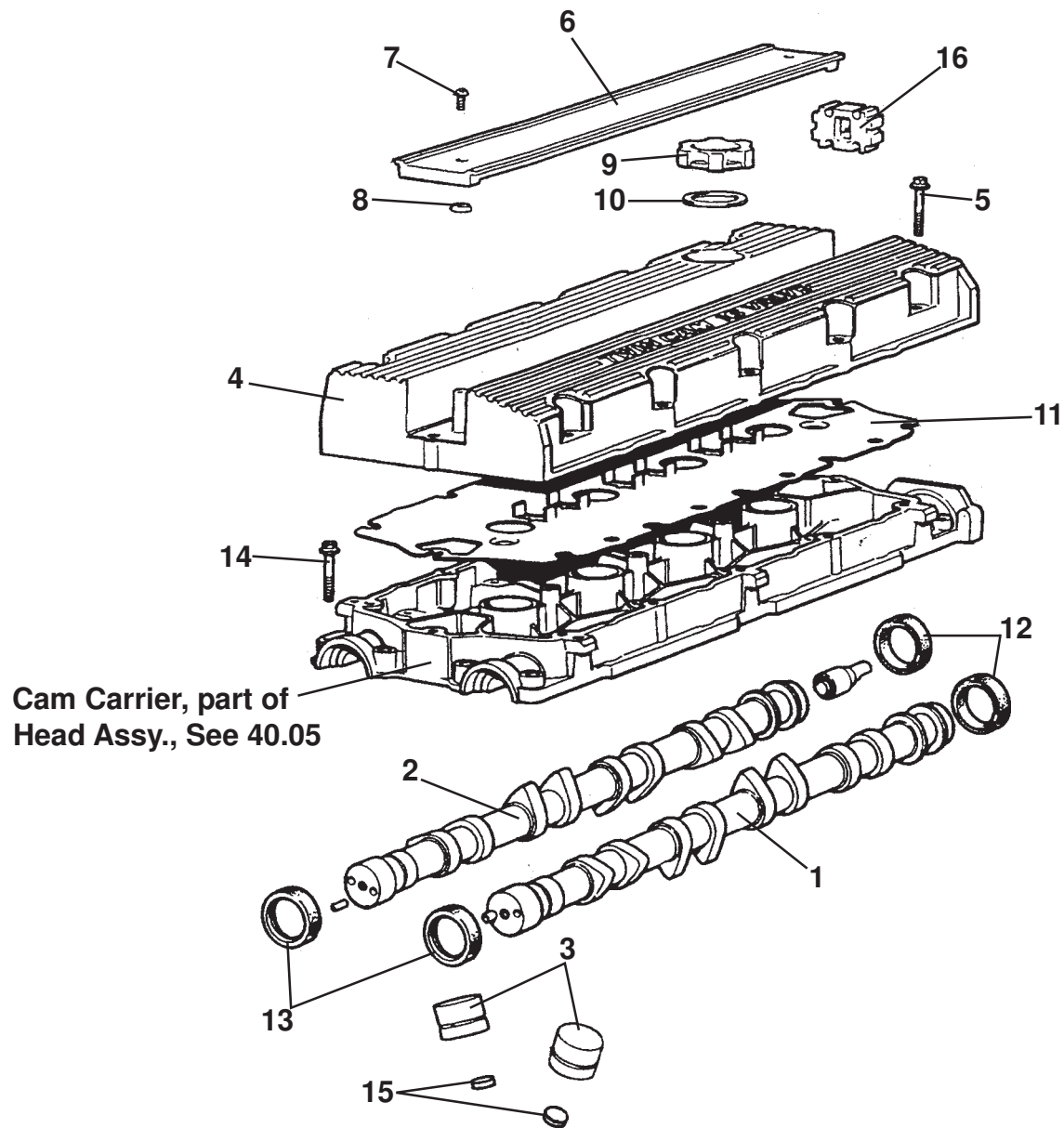
Service Parts List



Function Code 40.05 Cylinder Head , Valves, Springs

<u>Dep</u>	<u>Part Description</u>	<u>Remarks</u>	<u>Option</u>	<u>Part Number</u>	<u>Qty</u>
01	Cylinder Head Assembly			A111E6247S	1
02	Bolt, cylinder head fixing			A111E6111S	10
03	Spring Seat/Stem Seal			A111E6171S	16
04	Valve Spring			A111E6251S	16
05	Valve Spring Cap			A111E6250S	16
06	Valve Collet			A111E6110S	32
07	Inlet Valve			A111E6313S	8
08	Valve Seat Insert, Inlet			A111E6308S	8
09	Valve Guide, Standard			A111E6306S	16
09a	Valve Guide, oversize, grooved/stepped			A111E6307S	16
10	Exhaust Valve			A111E6314S	8
11	Valve Seat Insert, exhaust			A111E6309S	8
12	Gasket, cylinder head	Also see 40.02		A111E6103S	1
13	Outlet Spout			A111E6407S	1
14	Gasket, outlet spout			A111E6087S	1
15	Setscrew, spout to head			A111E6168S	
16	Camshaft Blanking Plate			A111E6020S	1
17	Screw, plate to head			A111E6021S	2





Cam Carrier, part of Head Assy., See 40.05



40.07

Service Parts List



Function Code 40.07 Camshafts, Tappets, Cam Cover

<u>Dep</u>	<u>Part Description</u>	<u>Remarks</u>	<u>Option</u>	<u>Part Number</u>	<u>Qty</u>
01	Exhaust Camshaft			A111E6253S	1
02	Inlet Camshaft			A111E6252S	1
03	Tappet			A111E6248S	16
04	Camshaft Cover			A111E6174S	1
05	Bolt, cam cover to head			A111E6160S	15
06	Spark plug cover			A111E0003F	1
07	Screw, spark plug cover to head			A111W5210F	2
08	Retainer, screw, cover fixing			A111W6540F	2
09	Oil Filler Cap			A111E6039S	1
10	Seal, oil filler cap			A111E6056S	1
11	Gasket, camshaft cover			A111E6052S	1
12	Oil Seal, camshaft, rear, brown			A111E6271S	2
13	Oil Seal, camshaft, front, black			A111E6272S	2
14	Bolt, flg. hd., cam carrier to head			A111E6311S	20
15	Shim, tappet adjusting, 0.105"			A111E6421S	As req.
15a	Shim, tappet adjusting, 0.106"			A111E6422S	As req.
15b	Shim, tappet adjusting, 0.107"			A111E6423S	As req.
15c	Shim, tappet adjusting, 0.108"			A111E6424S	As req.



Function Code 40.07 Camshafts, Tappets, Cam Cover

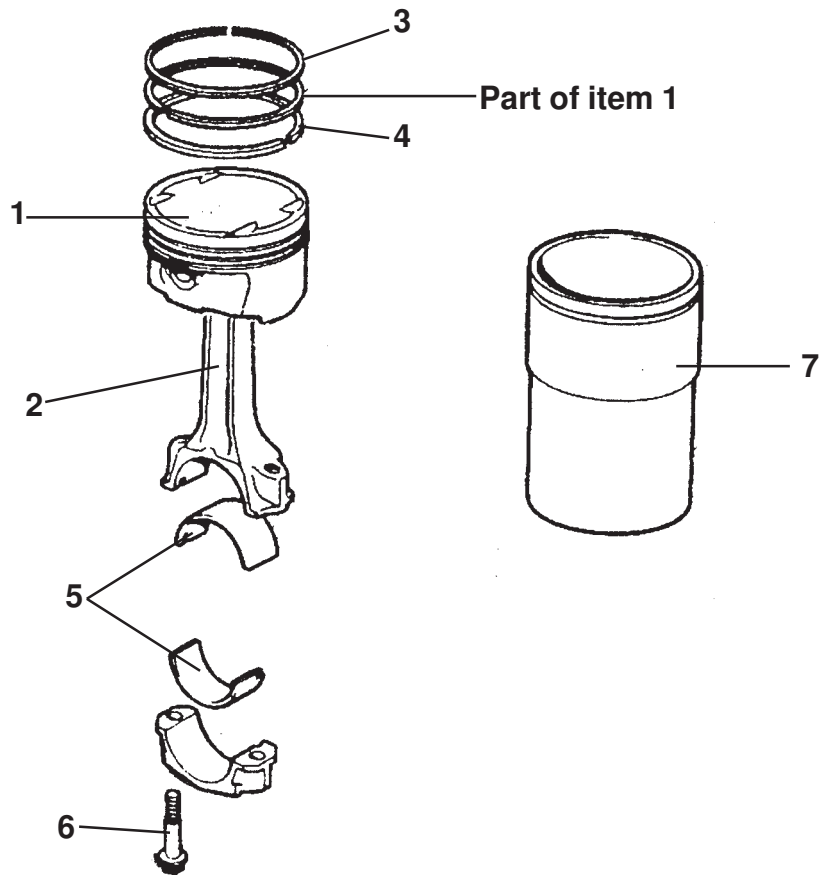
<u>Dep</u>	<u>Part Description</u>	<u>Remarks</u>	<u>Option</u>	<u>Part Number</u>	<u>Qty</u>
15d	Shim, tappet adjusting, 0.109"			A111E6425S	As req.
15e	Shim, tappet adjusting, 0.110"			A111E6426S	As req.
15f	Shim, tappet adjusting, 0.111"			A111E6427S	As req.
15g	Shim, tappet adjusting, 0.112"			A111E6428S	As req.
15h	Shim, tappet adjusting, 0.113"			A111E6429S	As req.
15i	Shim, tappet adjusting, 0.114"			A111E6430S	As req.
15j	Shim, tappet adjusting, 0.115"			A111E6431S	As req.
15k	Shim, tappet adjusting, 0.116"			A111E6432S	As req.
15l	Shim, tappet adjusting, 0.117"			A111E6433S	As req.
15m	Shim, tappet adjusting, 0.118"			A111E6436S	As req.
15n	Shim, tappet adjusting, 0.119"			A111E6437S	As req.
15o	Shim, tappet adjusting, 0.120"			A111E6438S	As req.
15p	Shim, tappet adjusting, 0.121"			A111E6439S	As req.
15q	Shim, tappet adjusting, 0.122"			A111E6440S	As req.
15r	Shim, tappet adjusting, 0.123"			A111E6441S	As req.
15s	Shim, tappet adjusting, 0.124"			A111E6442S	As req.
15t	Shim, tappet adjusting, 0.125"			A111E6443S	As req.
15u	Shim, tappet adjusting, 0.126"			A111E6444S	As req.
15v	Shim, tappet adjusting, 0.127"			A111E6445S	As req.
15w	Shim, tappet adjusting, 0.128"			A111E6446S	As req.
15ww	Shim, tappet adjusting, 0.129"			A111E6447S	As req.



Function Code 40.07 Camshafts, Tappets, Cam Cover

<u>Dep</u>	<u>Part Description</u>	<u>Remarks</u>	<u>Option</u>	<u>Part Number</u>	<u>Qty</u>
15x	Shim, tappet adjusting, 0.130"			A111E6448S	As req.
15xx	Shim, tappet adjusting, 0.131"			A111E6449S	As req.
15y	Shim, tappet adjusting, 0.132"			A111E6450S	As req.
15yy	Shim, tappet adjusting, 0.133"			A111E6451S	As req.
15z	Shim, tappet adjusting, 0.134"			A111E6452S	As req.
15zz	Shim, tappet adjusting, 0.135"			A111E6453S	As req.
16	Retainer, plug leads			A111E6368S	1
17	Bolt, flg. hd., cam carrier to head	Not illustrated		A111E6312S	4





40.09

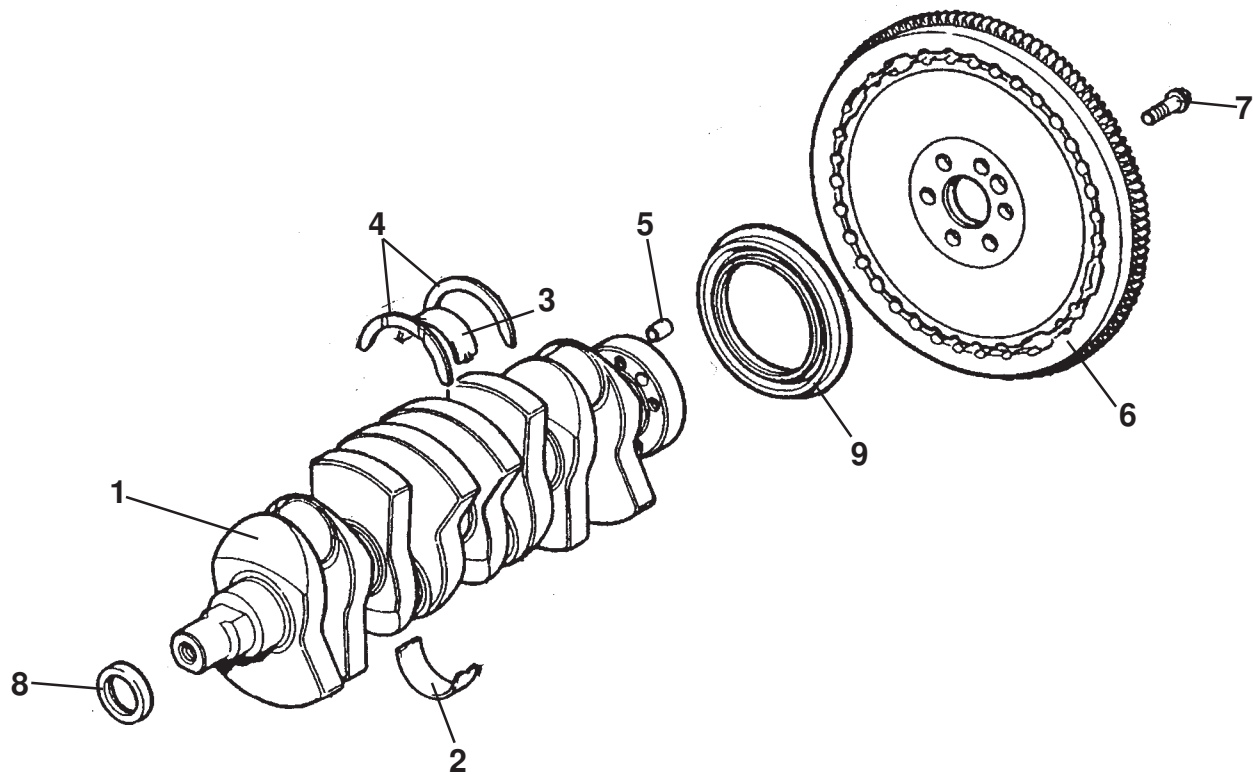
Service Parts List



Function Code 40.09 Pistons, Con-rods, Liners

<u>Dep</u>	<u>Part Description</u>	<u>Remarks</u>	<u>Option</u>	<u>Part Number</u>	<u>Qty</u>
01	Piston Assembly	Includes second ring		A111E6254S	4
02	Con-rod			A111E6265S	4
03	Piston Ring, top			A111E6255S	4
04	Piston Ring, oil control			A111E6256S	4
05	Con-rod Bearings, blue			A111E6203S	4
05a	Con-rod Bearings, red			A111E6204S	4
05b	Con-rod Bearings, yellow			A111E6205S	4
06	Cap Screw, big end fix			A111E6342S	8
07	Cylinder Liner, grade A			A111E6112S	4
07a	Cylinder Liner, grade B			A111E6113S	4





40.11

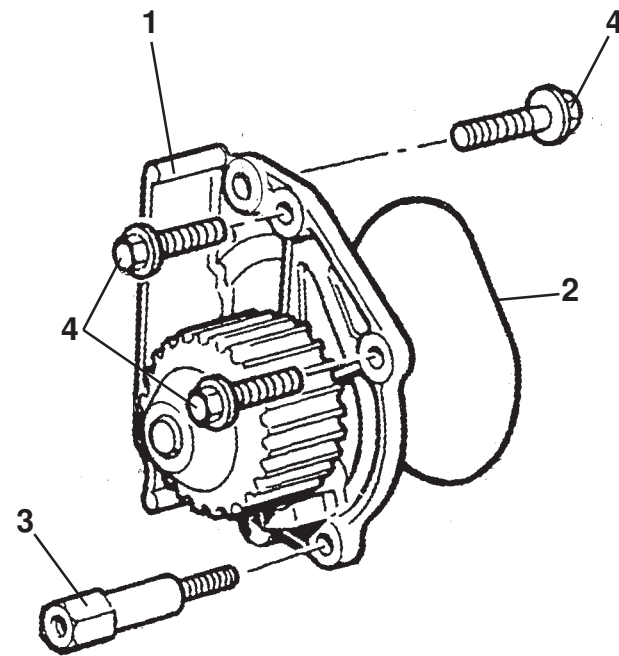
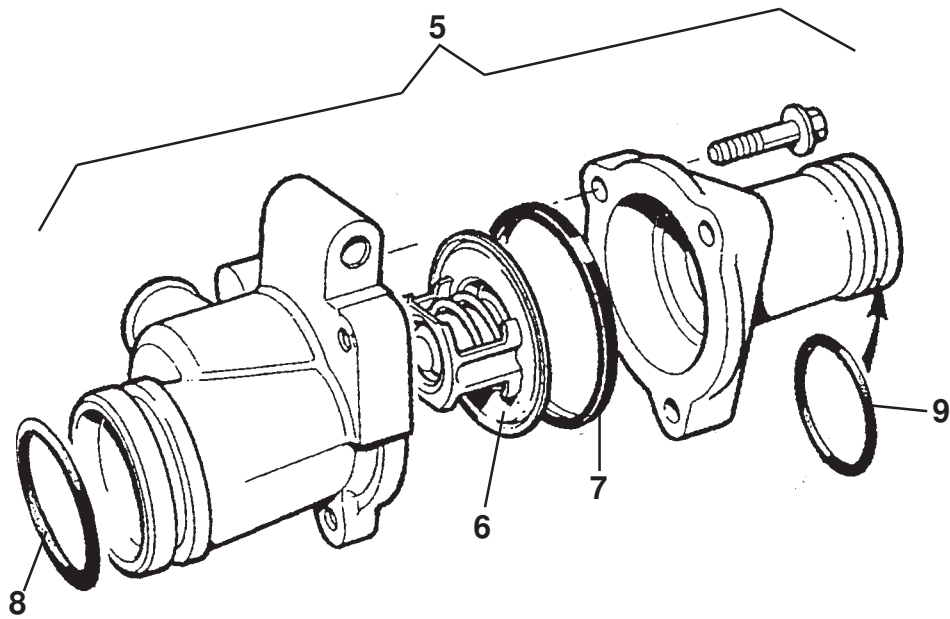
Service Parts List



Function Code 40.11 Crankshaft, Bearings, Flywheel

<u>Dep</u>	<u>Part Description</u>	<u>Remarks</u>	<u>Option</u>	<u>Part Number</u>	<u>Qty</u>
01	Crankshaft			A111E6257S	1
02	Main Bearing, plain, blue			A111E6196S	7
02a	Main Bearing, plain, red			A111E6197S	7
02b	Main Bearing, plain, green			A111E6198S	7
03	Main Bearing, grooved, blue			A111E6199S	3
03a	Main Bearing, grooved, red			A111E6200S	3
03b	Main Bearing, grooved, green			A111E6201S	3
04	Thrust Washer			A111E6202S	2
05	Ring Dowel, crank to flywheel			A111E6266S	1
06	Flywheel, light weight			A111E6258S	1
07	Bolt, flywheel fix.			A111E6129S	6
08	Oil Seal, crankshaft front			A111E6054S	1
09	Oil Seal, crankshaft rear			A111E6057S	1





40.13

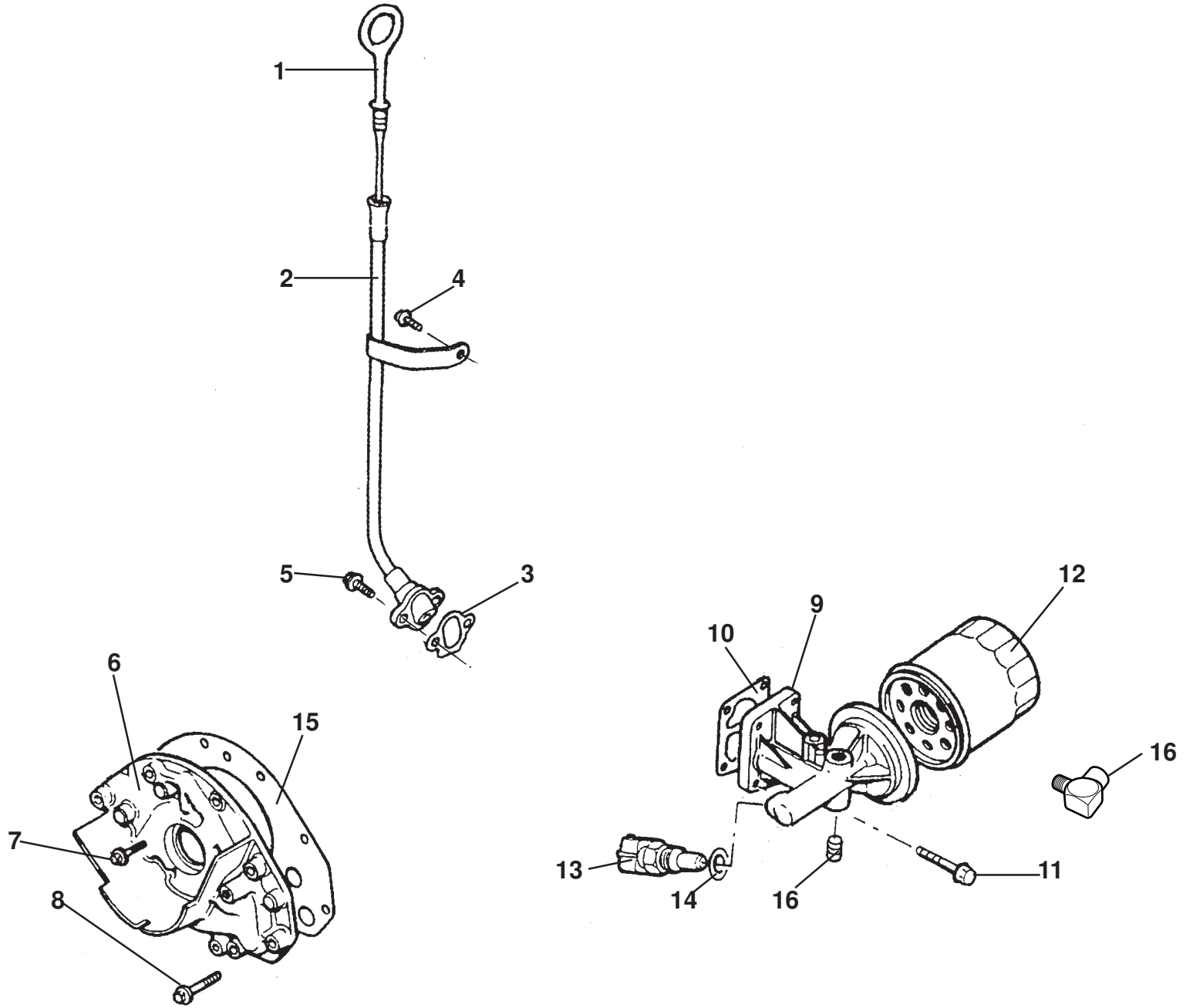
Service Parts List



Function Code 40.13 Water Pump Assembly, Thermostat

<u>Dep</u>	<u>Part Description</u>	<u>Remarks</u>	<u>Option</u>	<u>Part Number</u>	<u>Qty</u>
01	Water Pump Assembly	Includes 'O'ring		A111E6088S	1
02	'O' Ring, water pump			A111E6080S	1
03	Pillar Bolt, tensioner spring fix.			A111E6361S	1
04	Bolt, water pump fix.			A111E6341S	5
05	Thermostat Housing Assembly	Includes items 6,7,8		A111E6182S	1
06	Thermostat			A111E6085S	1
07	Sealing Ring, thermostat to housing			A111E6084S	1
08	'O' Ring, thermostat housing			A111E6067S	1
09	'O' Ring, water pipe to thermostat housing			A111E6067S	1





40.15

Updated 24th January 2013

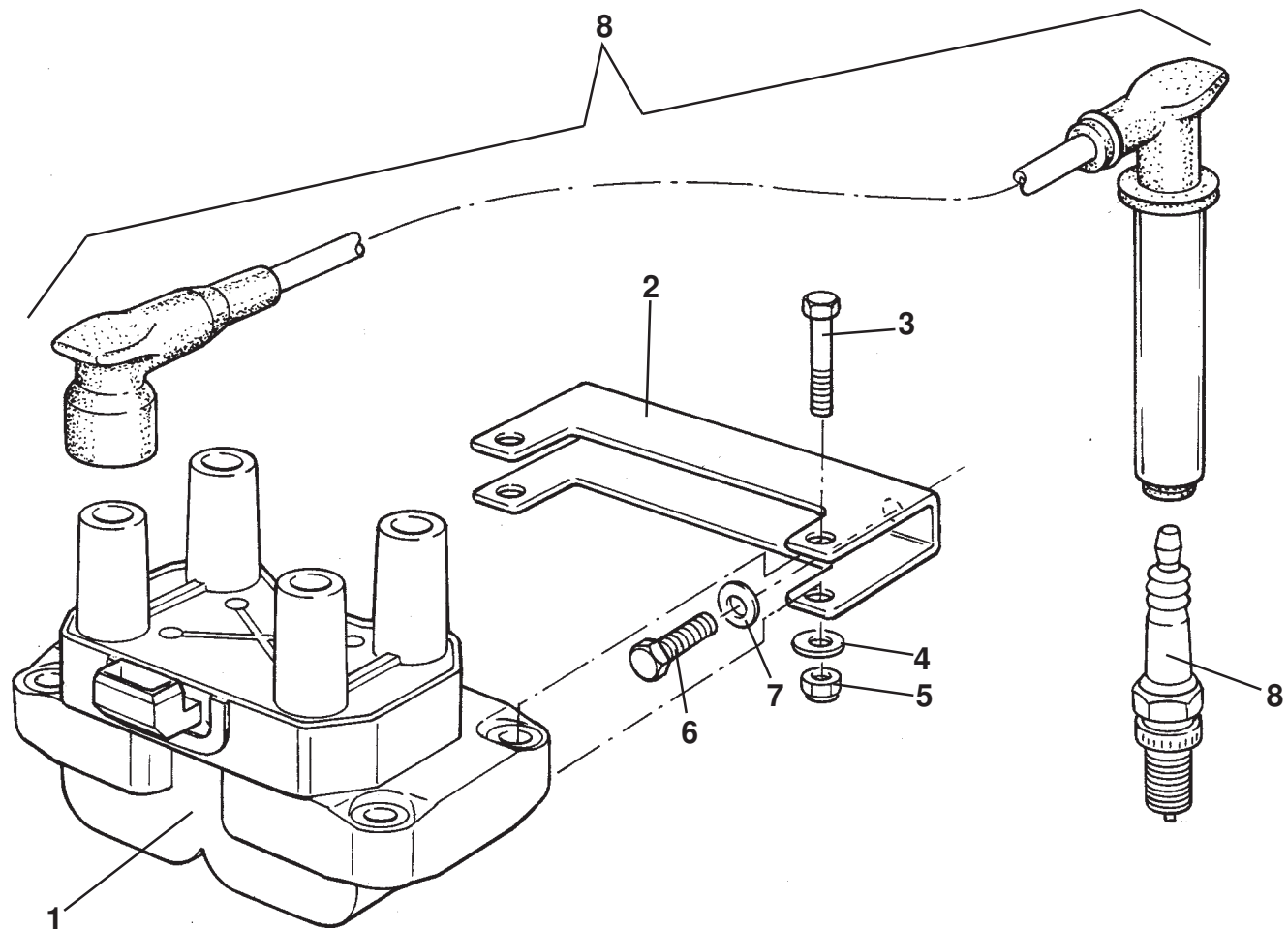
Service Parts List



Function Code 40.15 Lubrication System

<u>Dep</u>	<u>Part Description</u>	<u>Remarks</u>	<u>Option</u>	<u>Part Number</u>	<u>Qty</u>
01	Dipstick			A111E6004F	1
02	Dipstick Tube		B111E0001F R/B	A111E6170F	1
03	Gasket, dipstick tube			A111E6009F	1
04	Bolt, dipstick tube bracket to block			A111E6006F	1
05	Bolt, dipstick tube flange to block			A111E6007F	2
06	Oil Pump Assembly			A111E6122S	1
07	Bolt, flg. hd., oil pump to block			A111E6289S	1
08	Bolt, flg. hd., oil pump to block			A111E6360S	8
09	Oil Filter Housing (no oil cooler)		Cars without oil cooler	A111E6076S	1
09a	Oil Filter Housing (oil cooler)		Cars with oil cooler	A111E6146S	1
10	Gasket, oil filter housing			A111E6101S	1
11	Bolt, oil filter housing to block			A111E6168S	4
12	Engine oil filter			A111E6038S	1
13	Oil Pressure Switch			A111E6179S	1
13a	Oil Pressure Switch	Fitted to elbow: item 16	Cars with oil cooler	A111E6099S	1
14	Washer, oil pressure switch			A111E6180S	1
15	Blanking Plug, oil filter housing			A111E6181S	1
16	Elbow, 90 deg., oil press. switch mounting	For item 13a	Cars with oil cooler	A111E6147S	1





40.17

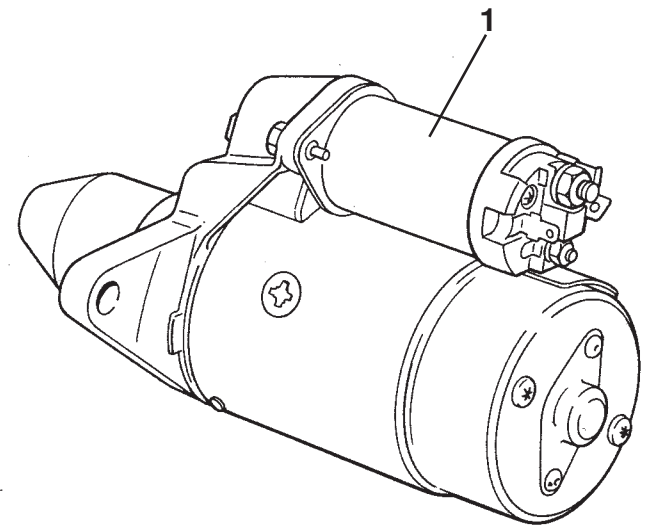
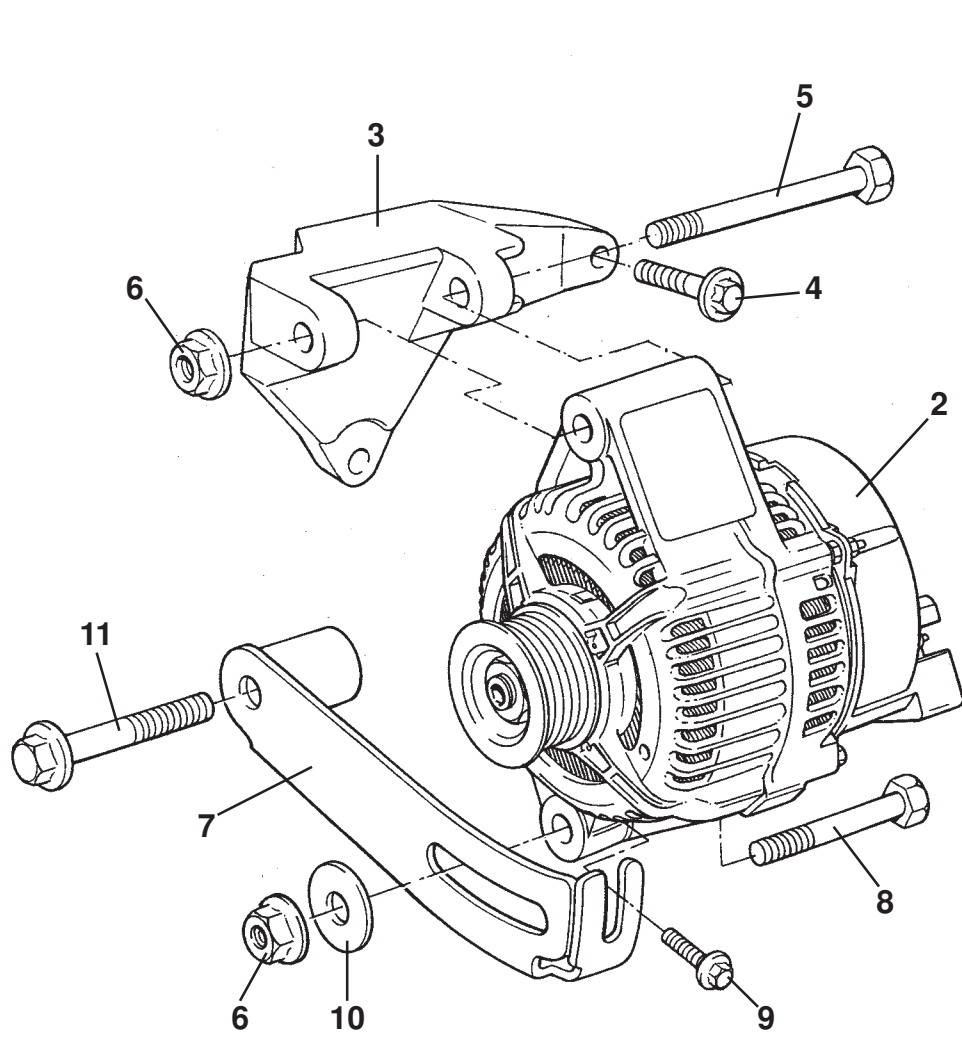
Service Parts List



Function Code 40.17 Ignition System, Spark plugs & Plug Top Coils

<u>Dep</u>	<u>Part Description</u>	<u>Remarks</u>	<u>Option</u>	<u>Part Number</u>	<u>Qty</u>
01	Ignition Coil Pack			A918E6009F	1
02	Bracket, coil pack to head			A340E0002F	1
03	Bolt, M6 x 40, hex. hd., bracket to coil pack			A075W1034Z	2
04	Washer, flat, M6			A075W4015Z	2
05	Nyloc Nut			A075W3009Z	2
06	Setscrew, M8 x 16, hex. hd., bracket to head			A075W1036Z	2
07	Washer, flat, M8			A075W4020Z	2
08	HT Lead Set			A340M0011F	1
09	Spark Plug	Champion RC6 YCC		A111E6285S	4





40.19

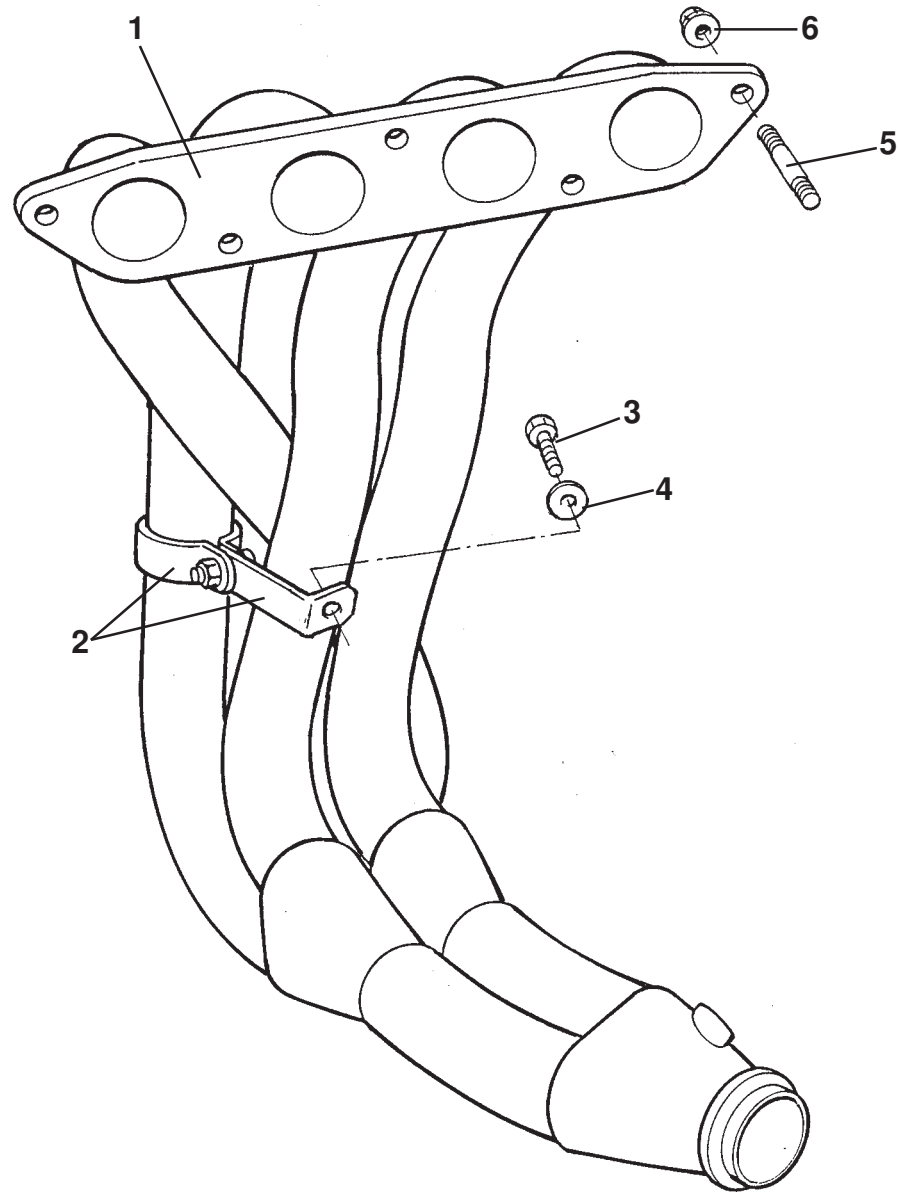
Service Parts List



Function Code 40.19 Alternator and Starter Motor

<u>Dep</u>	<u>Part Description</u>	<u>Remarks</u>	<u>Option</u>	<u>Part Number</u>	<u>Qty</u>
01	Starter Motor			A111E6091S	1
02	Alternator			A111E6082S	1
03	Alternator Bracket			A111E6236S	1
04	Bolt, flg. hd., bracket to block			A111E6237S	3
05	Bolt, hex. hd., M10 x 100, alternator to top bracket			A111E6105F	1
06	Nut, flg. hd., alternator to bracket			A111E6183S	2
07	Alternator Adjustment Link	Includes spacer & bolt, item 11		A111E6238S	1
08	Bolt, hex. hd., alternator to link			A111E6239S	1
09	Setscrew, flg. hd., alternator adjustment			A111E6241S	1
10	Washer, flat			A111E6240S	1
11	Bolt, flg. hd., link to block			A111E6237S	1
12	Bolt. M12 x 90, flg. hd. starter motor fix.			A111F6176S	2
13	Flange Nut, M12, starter motor fix.		A111F6178S R/B	A111W3155F	2





40.21

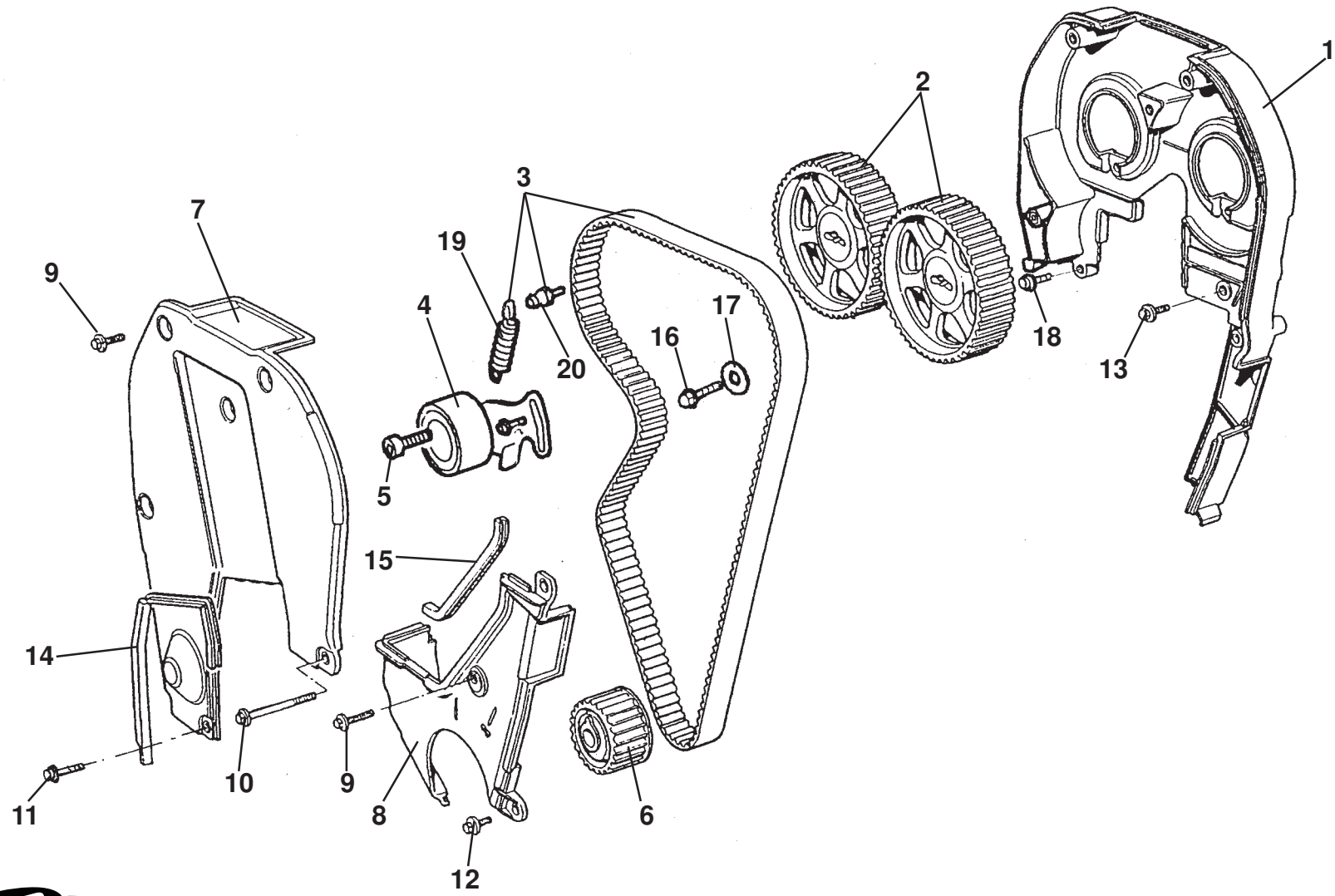
Service Parts List



Function Code 40.21 Exhaust Manifold

<u>Dep</u>	<u>Part Description</u>	<u>Remarks</u>	<u>Option</u>	<u>Part Number</u>	<u>Qty</u>
01	Exhaust Manifold			A340S6000F	1
02	Stabiliser Bracket/Clamp Assembly	Includes fixings		A340S6002F	1
03	Setscrew, M10 x 25, hex. hd., bracket to block			A340W0001F	1
04	Washer, flat, M10 x 25			A075W6237Z	1
05	Stud, manifold to cylinder head			A111E6148S	5
06	Nut, manifold to cylinder head			A111E6149S	5





41.01

Service Parts List



Function Code 41.01 Camshaft Belts, Guards & Pulleys

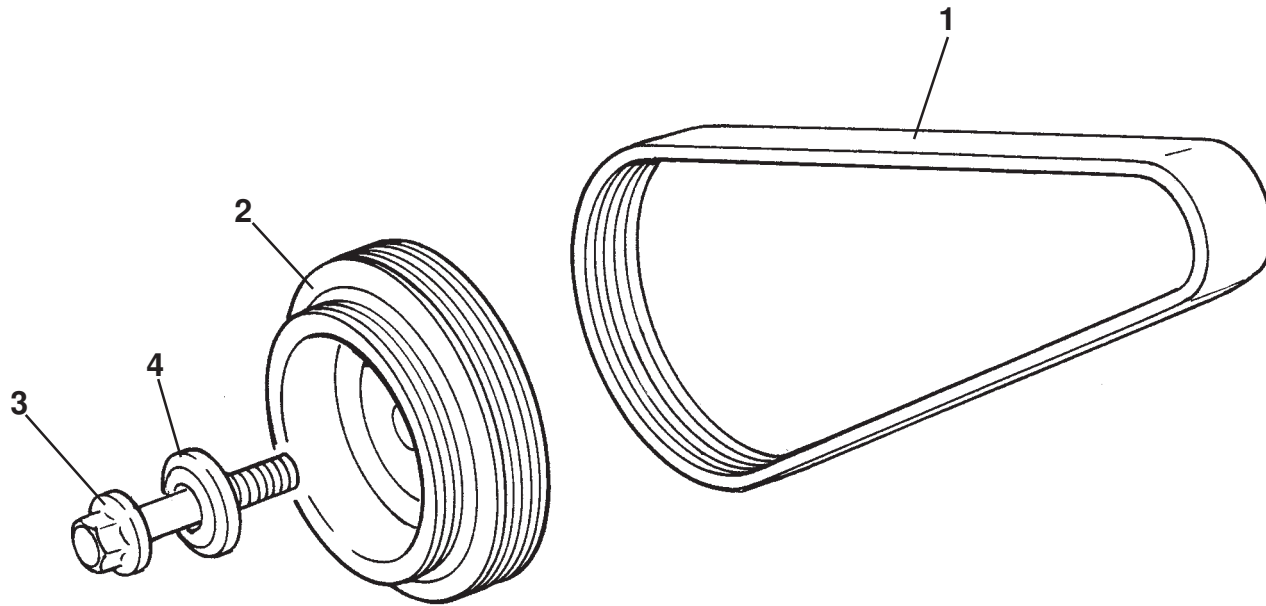
<u>Dep</u>	<u>Part Description</u>	<u>Remarks</u>	<u>Option</u>	<u>Part Number</u>	<u>Qty</u>
01	Cover, rear, timing belt			A111E6121S	1
02	Camshaft Pulley, inlet & exhaust			A111E6156S	2
03	Timing Belt			A111E6044S	1
04	Tensioner Assembly, timing belt			A111E6117S	1
05	Adjusting Bolt, M10, belt tensioner			A111E6116S	1
06	Crankshaft Pulley, timing belt	Also change auxiliary pulley, see 41.03	A111E6157S R/B	A111E6274S	1
07	Cover, upper front, timing belt	Includes seals		A111E6119S	1
08	Cover, lower front, timing belt	Includes seals		A111E6120S	1
09	Screw, M6 x 35, flg. hd.			A111E6349S	5
10	Bolt, lower cover fix.			A111E6348S	1
11	Bolt, upper cover to rear cover			A111E6350S	1
12	Screw, M6 x 16, lower cover fix.			A111E6351S	1
13	Screw, M6 x 14, rear cover fix.			A111E6339S	3
14	Seal, upper cover			A111E6071S	1
15	Seal, lower cover			A111E6070S	1
16	Screw. cam pulley fix.			A111E6386S	2
17	Washer, flat			A111E6279S	2
18	Screw, M6 x 25, hex. flg. hd., rear cover fix.			A111F6039S	1



Function Code 41.01 Camshaft Belts, Guards & Pulleys

<u>Dep</u>	<u>Part Description</u>	<u>Remarks</u>	<u>Option</u>	<u>Part Number</u>	<u>Qty</u>
19	Spring and Sleeve, belt tensioner			A111E6118S	1
20	Pillar Bolt			A111E6231S	1





41.03

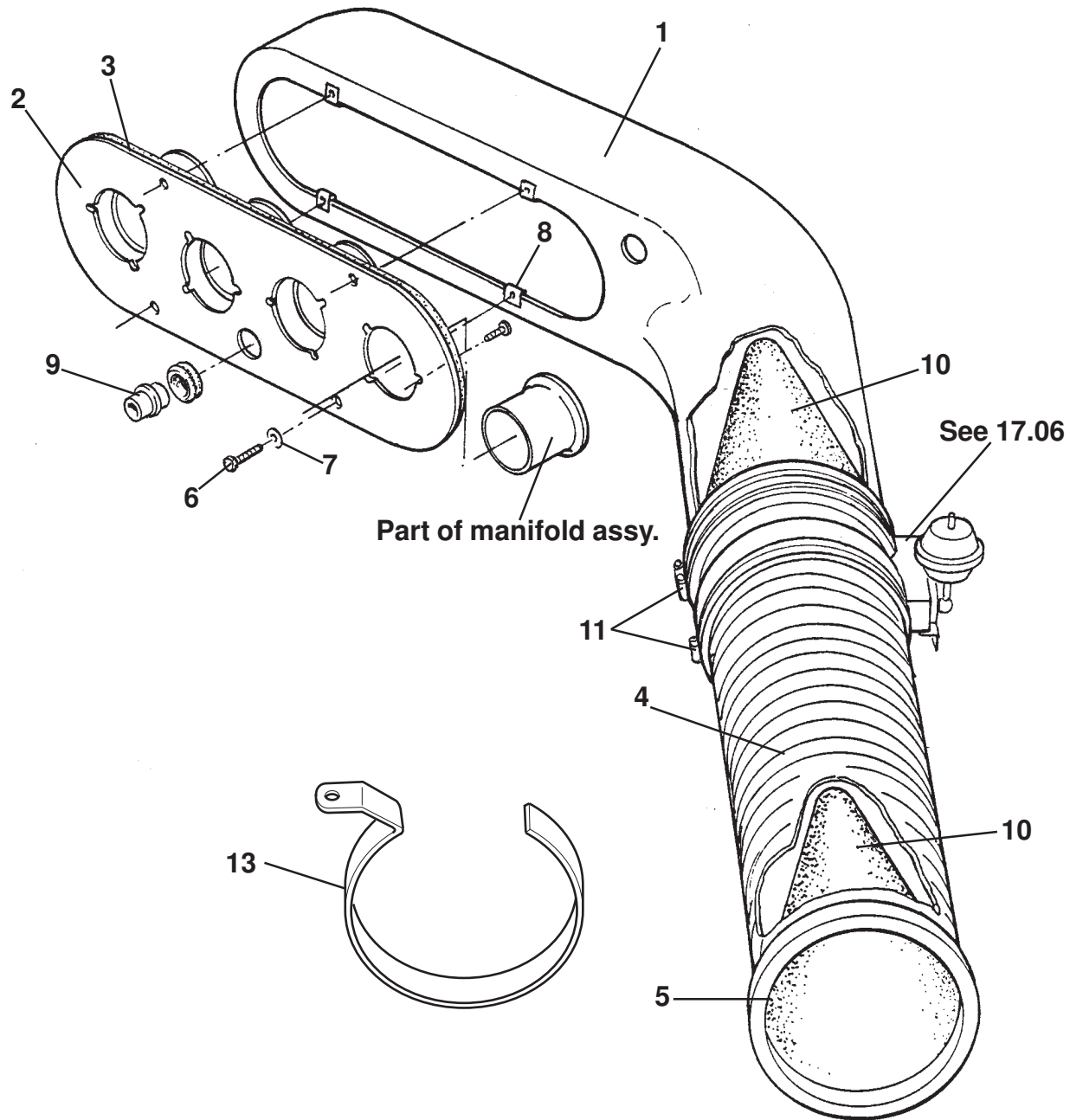
Service Parts List



Function Code 41.03 Auxiliary Drive Belts & Pulleys

<u>Dep</u>	<u>Part Description</u>	<u>Remarks</u>	<u>Option</u>	<u>Part Number</u>	<u>Qty</u>
01	Drive Belt, alternator			A111E6041S	1
02	Auxiliary Belt Pulley	Also change timing pulley, see 41.01	A111E6158S R/B	A111E6273S	1
03	Bolt, pulley fix.			A111E6159S	1
04	Washer, special, bolt to pulley			A111E6275S	1





42.01

Updated 24th January 2013

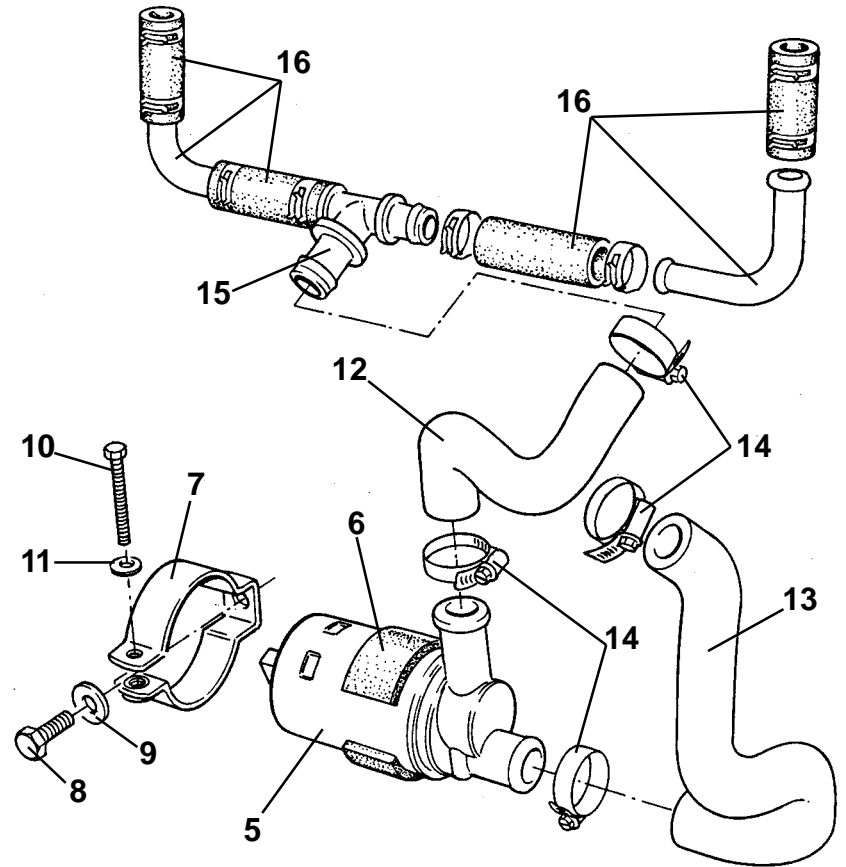
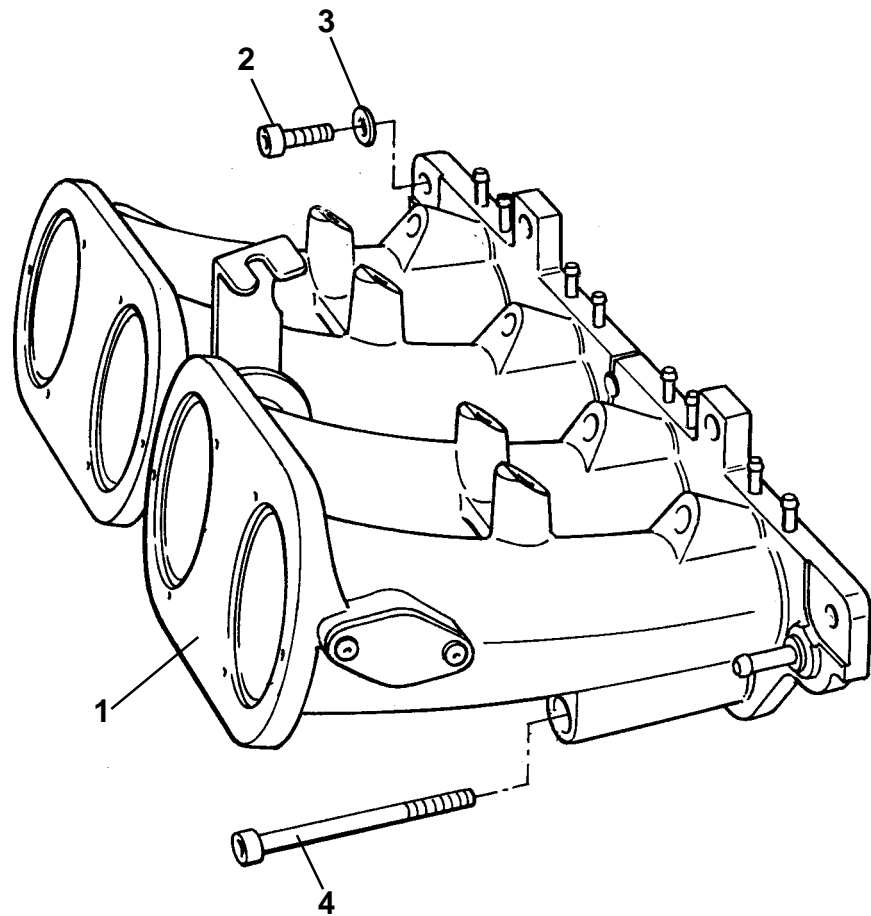
Service Parts List



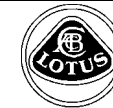
Function Code 42.01 Airboxes, Trunking & Air Filters

<u>Dep</u>	<u>Part Description</u>	<u>Remarks</u>	<u>Option</u>	<u>Part Number</u>	<u>Qty</u>
01	Airbox, carbon fibre			A340E0027F	1
02	Backplate, airbox to manifold	Includes gasket, item 3		A340E6002F	1
03	Gasket, airbox to backplate			A340E0012H	1
04	Hose, intake duct to airbox			A340E0020F	1
05	Reinforcing Ring, intake hose			A340E0026K	1
06	Screw, M5 x 16, hex. hd., backplate to airbox			A111W1163F	4
07	Washer, flat, M5 x 10 x 0.8			A075W4011Z	4
08	Spire Nut, M5			B100W6372F	4
09	Spigot, plastic, backplate to IAC hose			A340E0016F	1
10	Air Filter	Includes clips		A340E6004F	2
11	Hose Clip			A111W6638F	3
12	Grommet, sealing, spigot to backplate			A340E6008F	1
13	Bracket, hose supporting			A340A0035F	1





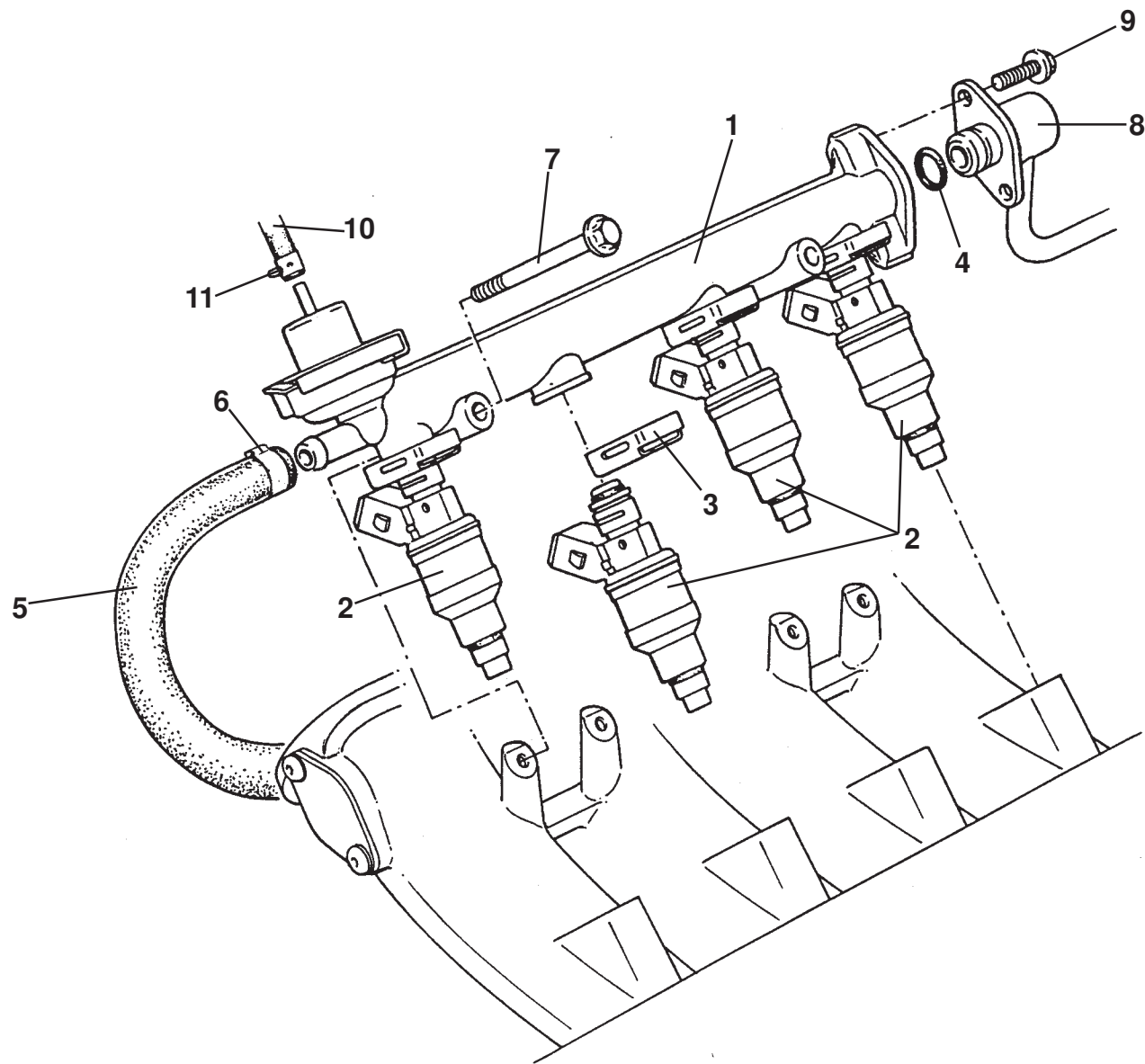
Service Parts List



Function Code 42.04 Throttle Body, Mechanism & IAC Valve

<u>Dep</u>	<u>Part Description</u>	<u>Remarks</u>	<u>Option</u>	<u>Part Number</u>	<u>Qty</u>
01	Throttle Body/Intake Manifold Assembly	Includes backplate & trumpets		A340E6026S	1
02	Screw, M8 x 25, cap hd., manifold to head upper			A340E6027S	5
03	Washer, flat, M8 x 16.6 x 1.4			A075W4020Z	5
04	Bolt, M8 x 110, cap hd., manifold to head lower			A340E6028S	4
05	Idle Air Control Valve (IAC)			A918E6011F	1
06	Insulator, idle air control valve			A918E0179F	1
07	Bracket, IAC valve			A340E0001F	1
08	Screw, M10 x 16, hex. hd., bracket to engine			A100A0641F	1
09	Washer, flat, M10			A075W4024Z	1
10	Screw, M6 x 35, hex. hd., bracket clamping			A075W1033Z	1
11	Washer, flat, M6			B082W4018F	1
12	Hose, IAC to 'T' pipe			A340E0010K	1
13	Hose, IAC to airbox			A340E0009K	1
14	Hose Clip			B907E6085Z	4
15	'T' Piece, IAC valve to manifold feeds			A340E6012F	1
16	Elbow Pipe/Hose Assy., manifold feeds	Includes hose clips		A340E0019K	2





42.05

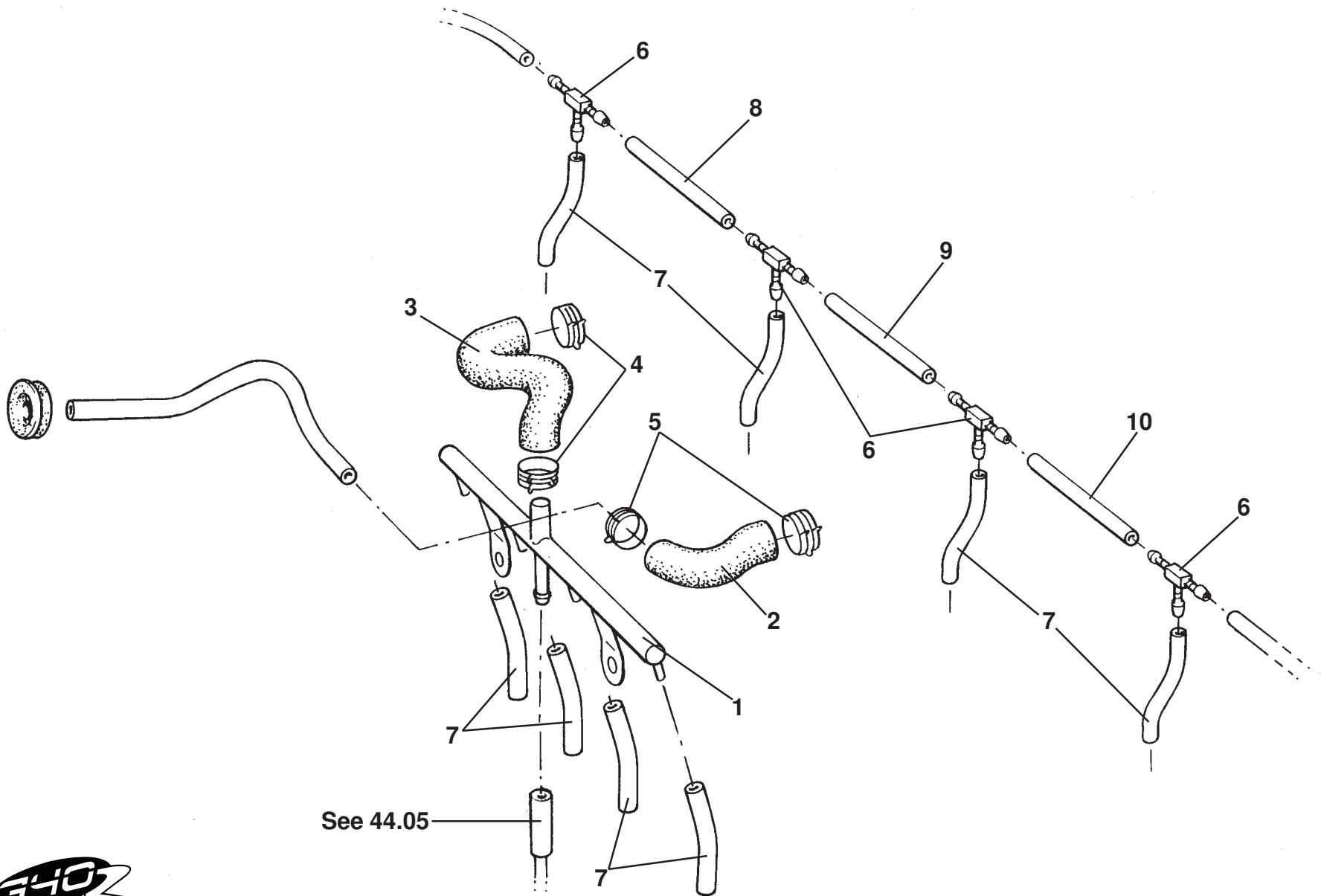
Service Parts List



Function Code 42.05 Fuel Injection System

<u>Dep</u>	<u>Part Description</u>	<u>Remarks</u>	<u>Option</u>	<u>Part Number</u>	<u>Qty</u>
01	Fuel Rail			A111E6079S	1
02	Injector			A111E6060S	4
03	Clip, injector retaining			A111E6162S	4
04	'O' Ring, pipe to rail			A111E6142S	1
05	Hose Assembly, fuel return			A111L6040S	1
06	Oetiker Clip, hose to rail			A111L6034S	1
07	Bolt, fuel rail to manifold			A111E6160S	2
08	Pipe/Hose Assembly, fuel feed			A340E0015F	1
09	Bolt, pipe to rail			A111L6035S	2
10	Vacuum Hose, regulator to manifold			A340E0025K	1
11	Hose Clip, vacuum hose securing			A111E6161S	1





43.03

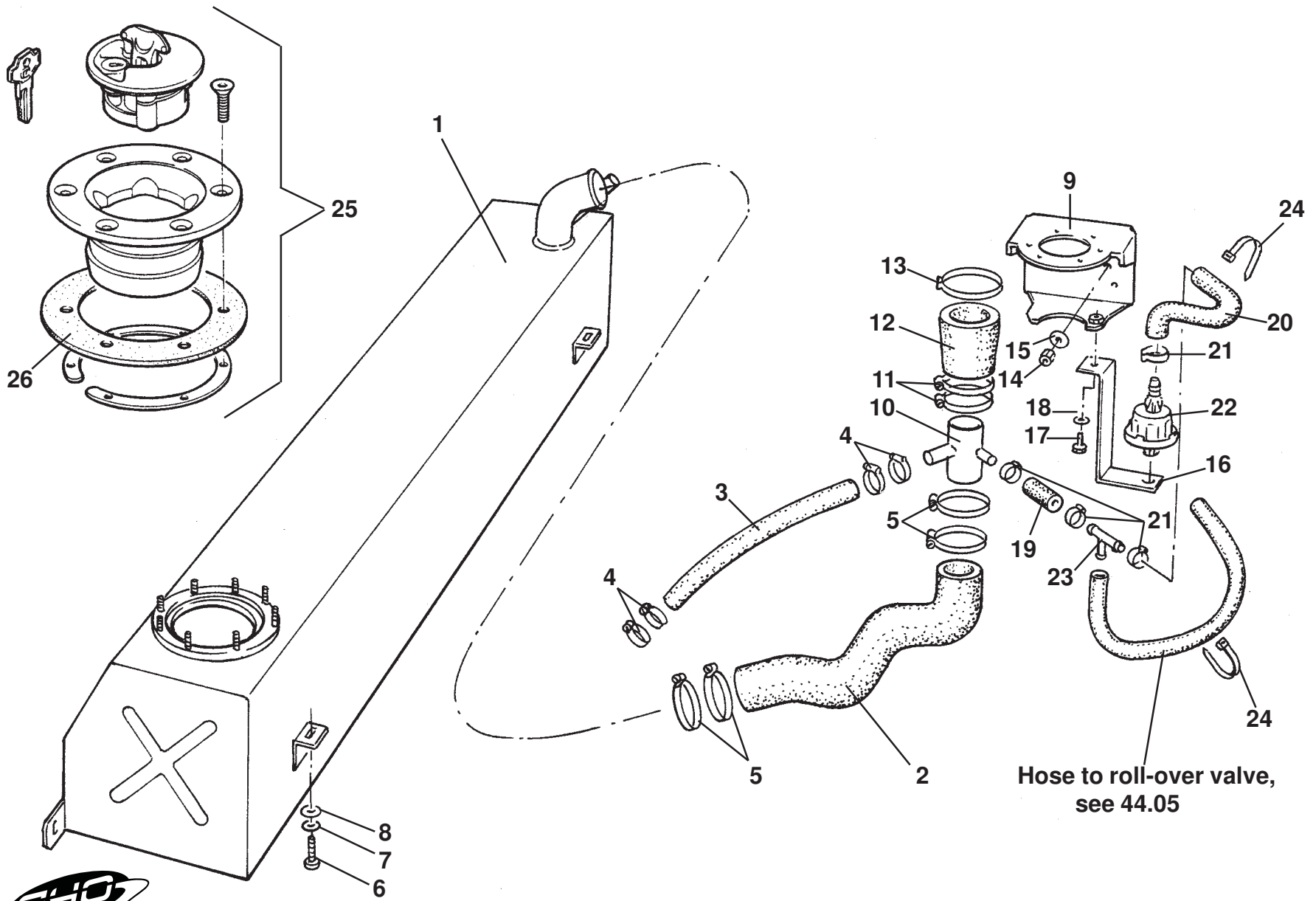
Service Parts List



Function Code 43.03 Vacuum System, Hoses, Pipes & Fittings

<u>Dep</u>	<u>Part Description</u>	<u>Remarks</u>	<u>Option</u>	<u>Part Number</u>	<u>Qty</u>
01	Breather Rail			A340E0006F	1
02	Hose, cam cover to airbox backplate			A111E0032S	1
03	Hose, cam cover to breather rail			A111E6151S	1
04	Hose Clip			A111E6154S	2
05	Hose Clip			A111E6155S	2
06	'T' Piece			A111M6045F	4
07	Vacuum Hose, manifold to rail/'T' pieces			A340E0021K	8
08	Vacuum Hose, 105mm			A340E0022K	1
09	Vacuum Hose. 60mm			A340E0023K	1
10	Vacuum Hose, 90mm			A340E0024K	1





Hose to roll-over valve,
see 44.05

Service Parts List



Function Code 44.01 Fuel Tanks, Filler

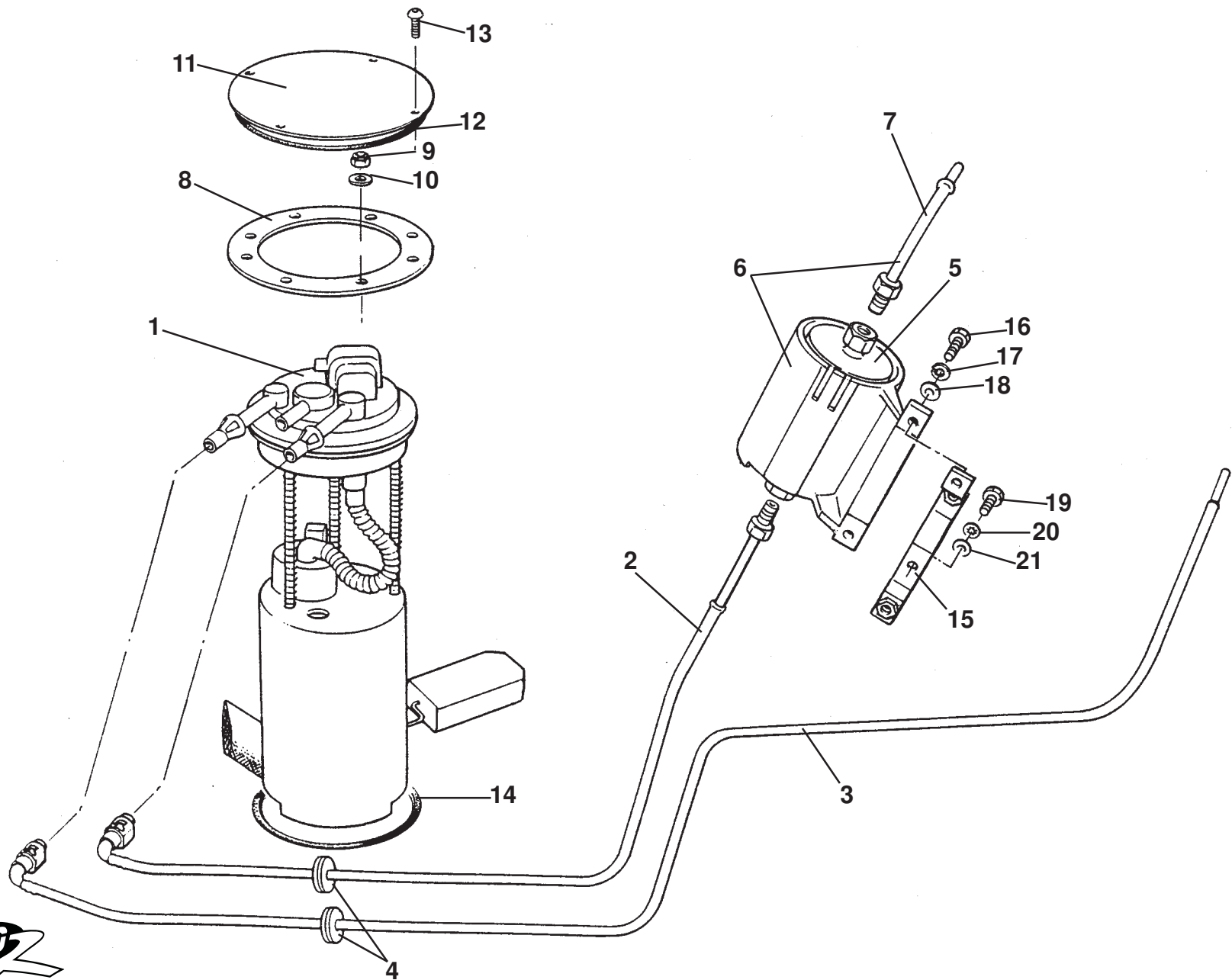
<u>Dep</u>	<u>Part Description</u>	<u>Remarks</u>	<u>Option</u>	<u>Part Number</u>	<u>Qty</u>
01	Fuel Tank			D340L0002F	1
02	Hose, fuel filler			A340L0006F	1
03	Hose, fuel breather			A340L0007F	1
04	Hose Clip, dia. 25-40mm			A079K6018F	4
05	Hose Clip, dia. 50-70mm			A100E6082F	4
06	Setscrew, M8 x 25, tank to chassis			A075W1039Z	4
07	Washer, spring, M8, tank to chassis			A075W4036Z	4
08	Washer, spring, M8, tank to chassis			A075W4019Z	4
09	Bracket, fuel filler neck mounting			A340L0003F	1
10	Fuel Filler Neck			A340L0008F	1
11	Hose Clip, dia. 50-70mm, hose to filler neck			A100E6082F	2
12	Hose, filler to neck to filler assy.			A340L0001F	1
13	Oetiker Clip, hose to filler assy			A340L6004F	1
14	Nyloc Nut, M6, bracket fix.			A075W3009Z	2
15	Washer, flat, M6			A075W4017Z	2
16	Bracket, pressure relief valve			B340B0097F	1
17	Screw, M6 x 16, hex. hd.			A075W1028Z	1
18	Washer, spring, M6			A075W4035Z	1



Function Code 44.01 Fuel Tanks, Filler

<u>Dep</u>	<u>Part Description</u>	<u>Remarks</u>	<u>Option</u>	<u>Part Number</u>	<u>Qty</u>
19	Hose, 50mm, filler neck to 'T' piece			A340L0012F	1
20	Hose, 250mm, 'T' piece to PRV			A340L0011F	1
21	Cobra Clip, hose fix.			A340L0013F	4
22	Pressure Relief Valve (PRV)			A340L6002F	1
23	'T' Piece			A340W6648F	1
24	Cable Tie				2
25	Locking Fuel Filler Assembly			A340L6000F	1
26	Gasket, filler to bracket			A340L0004F	1





44.03

Service Parts List



Function Code 44.03 Fuel Pump; Filter, Pipes

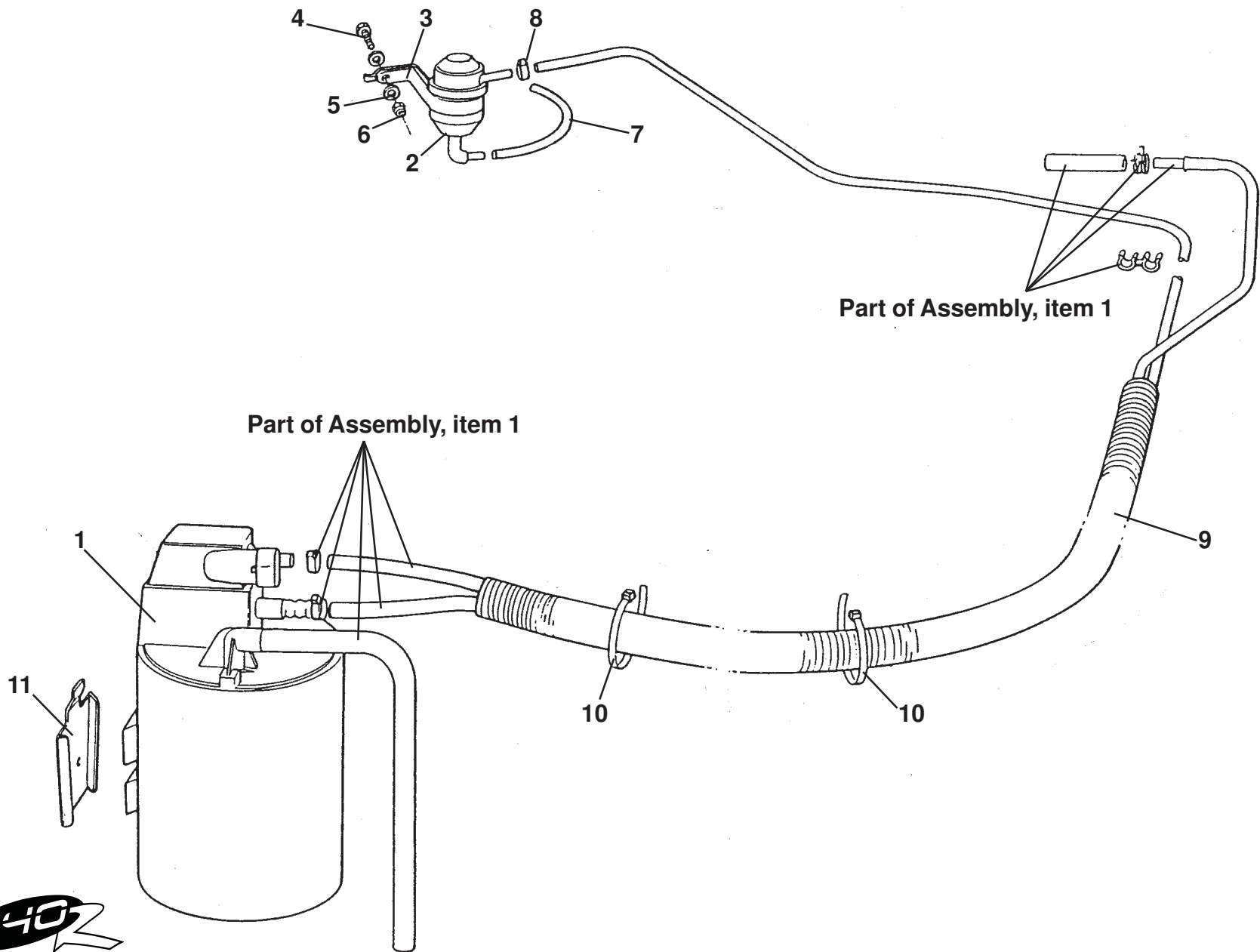
<u>Dep</u>	<u>Part Description</u>	<u>Remarks</u>	<u>Option</u>	<u>Part Number</u>	<u>Qty</u>
01	Fuel Pump And Sender Unit			A111L6007F	1
02	Fuel Pipe Assembly, feed			A340L0009F	1
03	Fuel Pipe Assembly, return			A340L0010F	1
04	Grommet			A082L6181F	2
05	Fuel Filter element			A111L6037S	1
06	Fuel Filter Assembly	Includes pipe item 7		A111L6002F	1
07	Adaptor Pipe, filter outlet to hose			A111L6038S	1
08	Clamp Ring, fuel pump fixing			A111L0004H	1
09	Washer, pump to tank			A082W4099F	8
10	Nyloc Nut, pump to tank			A075W3049F	8
11	Access Panel, fuel tank			A111L0015F	1
12	Screw, button hd., access cover fix.			A111W7117F	4
13	O' Ring, access cover			A111L6015F	1
14	O' Ring, fuel pump to tank			A111L6008F	1
15	Bracket, fuel filter			A340A0014F	1
16	Setscrew, M6 x 20, hex. hd. bracket fix.			A075W1030Z	2
17	Washer, spring, M6			A075W4035Z	2
18	Washer, flat, M6 x 12.5 x 1.6			A075W4013Z	2



Function Code 44.03 Fuel Pump; Filter, Pipes

<u>Dep</u>	<u>Part Description</u>	<u>Remarks</u>	<u>Option</u>	<u>Part Number</u>	<u>Qty</u>
19	Setscrew, hex. hd., bracket to body				2
20	Washer, shakeproof				2
21	Washer, flat				2





44.05

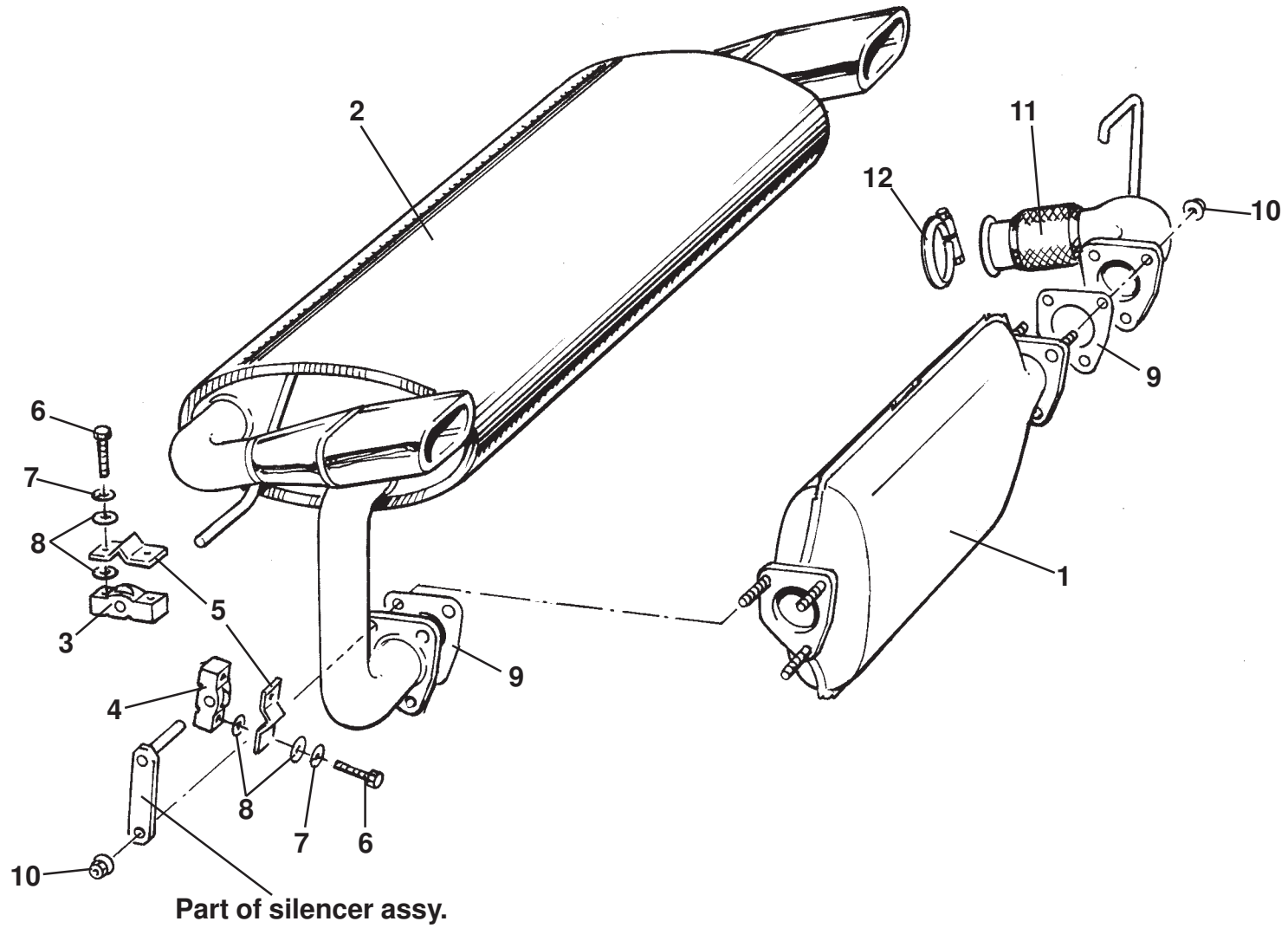
Service Parts List



Function Code 44.05 Charcoal Canister & Evaporative Loss System.

<u>Dep</u>	<u>Part Description</u>	<u>Remarks</u>	<u>Option</u>	<u>Part Number</u>	<u>Qty</u>
01	Charcoal Canister Assembly			A340L6001K	1
02	Roll Over Valve			A111L6011H	1
03	Mounting Clamp, roll over valve			A111L6012H	1
04	Setscrew, M5 x 16, roll over valve fix.			A082W1088F	1
05	Washer, M5, roll over valve fix.			A075W4011Z	2
06	Nyloc Nut, M5, roll over valve fix			A075W3008Z	1
07	Hose, roll over valve to filler neck			A111L0011H	1
08	Clip. pipe fixing		A111L0018H R/B	B111L0012F	1
09	Convolute Tube, pipe protection			A111L6024V	1
10	Tie Wrap, tube fix.			A075W6038Z	3
11	Bracket, charcoal canister			A111L6009F	1





45.01

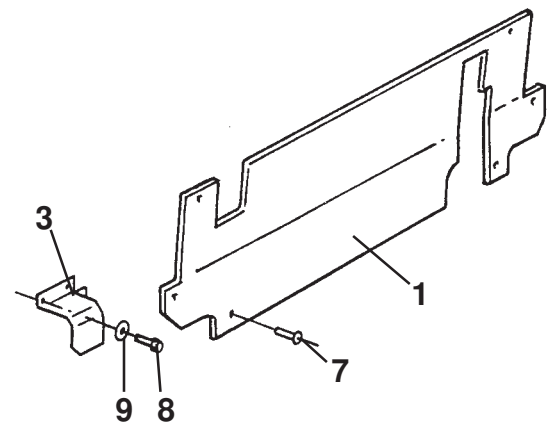
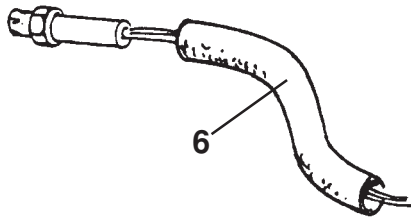
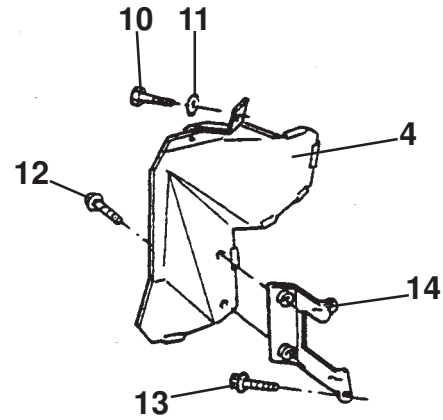
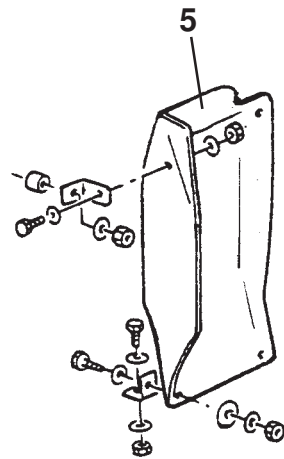
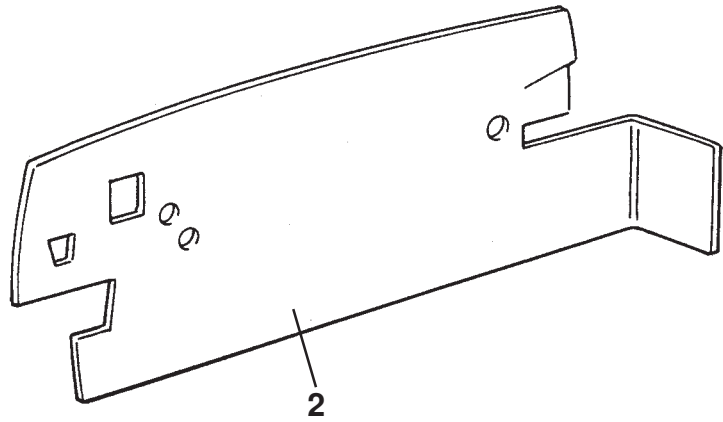
Service Parts List



Function Code 45.01 Exhaust System

<u>Dep</u>	<u>Part Description</u>	<u>Remarks</u>	<u>Option</u>	<u>Part Number</u>	<u>Qty</u>
01	Catalyst	Includes studs		B111S6001F	1
02	Silencer			A340S6004F	1
03	Exhaust Mounting, rubber, black			A111S6002F	3
04	Exhaust Mounting, silicon, blue			A111S0071F	1
05	Plate, exhaust mount clamping		A111S0023K R/B	A111S0064F	4
06	Bolt, M8 x 35, hex. hd.		A075W2029Z R/B	A075W2038D	8
07	Washer, spring, M8		A075W4035Z R/B	A075W4036Z	8
08	Washer, flat, M8 x 16.6 x 1.4		B082W4018F R/B	A075W4020Z	16
09	Gasket, catalyst			A111S6014F	2
10	Nut, M10 x 1.5, flg.			A111W3151F	6
11	Pipe, manifold to catalyst			A340S6001F	1
12	Clamp, pipe to manifold			A340S6003F	1





45.05

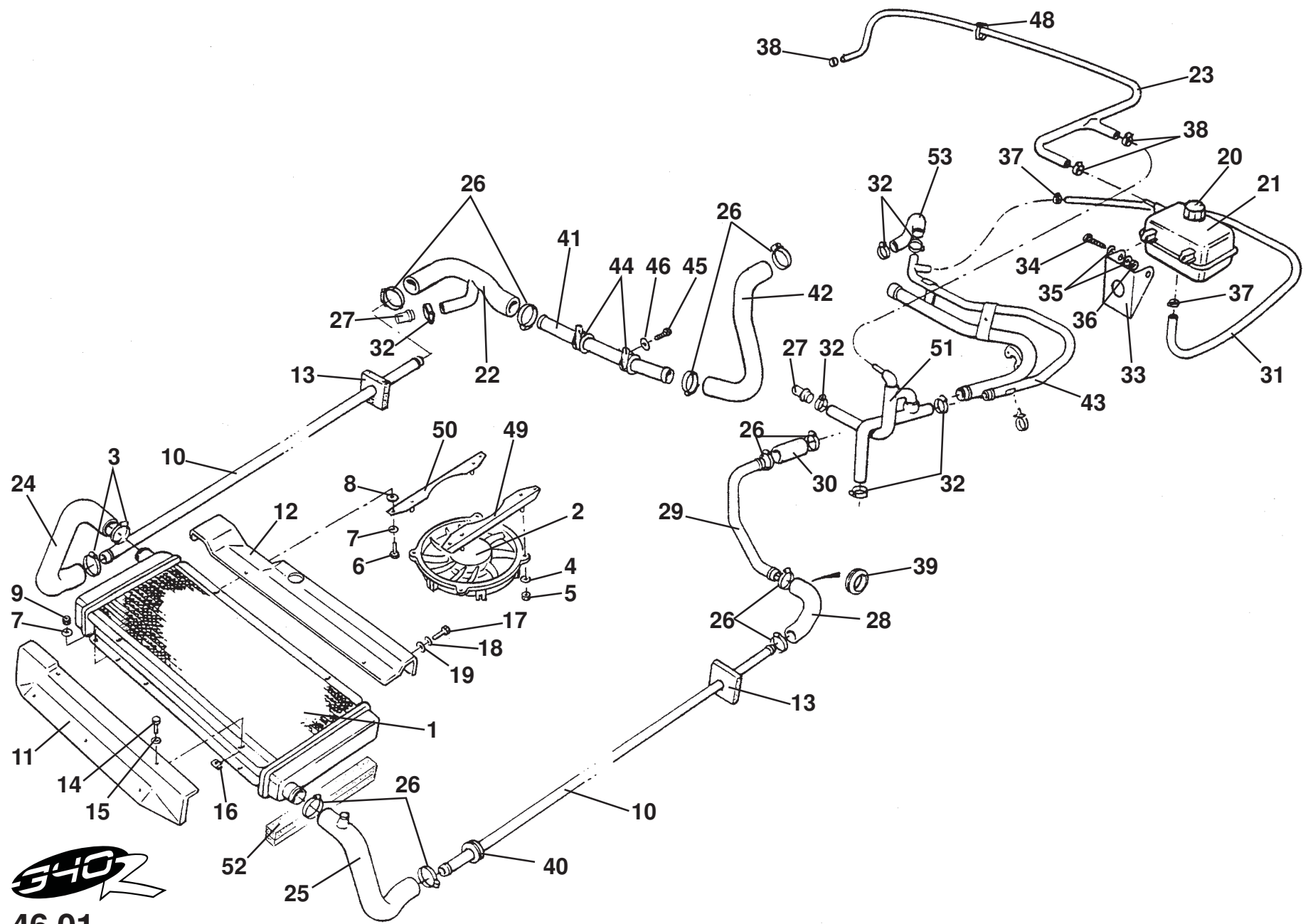
Service Parts List



Function Code 45.05 Heatshields

<u>Dep</u>	<u>Part Description</u>	<u>Remarks</u>	<u>Option</u>	<u>Part Number</u>	<u>Qty</u>
01	Heatshield, catalyst		A340S0002F R/B	B340S0002F	1
02	Heatshield, rear bulkhead			A340S0003F	1
03	Heatshield, ball joint			A340B0098F	1
04	Heatshield, alternator			A340E0014K	1
05	Heatshield, manifold			A340S0001F	1
06	Sleeve, heat protection, oxygen sensor			A111E6026S	1
07	Pop Rivet, 3/16", large flange, heatshield to subframe			A089W6297F	6
08	Screw, M6 x 12,hex. hd., heatshield fix.			A075W1027Z	4
09	Washer, flat, M6			A075W4015Z	4
10	Setscrew, M8 x 20, flg. hd., heatshield to head			A075W4032Z	1
11	Washer, spring, M8			A075W4036Z	1
12	Setscrew, M6 x 12, flg. hd., heatshield to bracket			A111E6007F	2
13	Setscrew, M6 x 12, flg. hd., heatshield to bracket			A111E6225F	1
14	Mounting Bracket, heatshield			A111E6224F	1





46.01

Service Parts List



Function Code 46.01 Engine Cooling System & Fan

<u>Dep</u>	<u>Part Description</u>	<u>Remarks</u>	<u>Option</u>	<u>Part Number</u>	<u>Qty</u>
01	Radiator			A111K0021F	1
02	Radiator Fan			A111M6070F	1
03	Hose clip, 32-50mm			A079K6019F	2
04	Washer, flat, M5			A075W4011Z	4
05	Nyloc Nut, M5			A075W3008Z	4
06	Setscrew, M6 x 20, hex. hd., bracket to radiator			A075W1030Z	4
07	Washer, flat, M6			A075W4015Z	8
08	Washer, spacer, M6 x 15 x 3			A075W4014Z	4
09	Nyloc Nut, M6			A075W3009Z	4
10	Pipe, chassis water rail			A111K0041F	2
11	Radiator Mounting Panel, front			A340B0056K	1
12	Radiator Mounting Panel, rear			A340B0059K	1
13	Seal, pipe to chassis			A111A0033F	4
14	Setscrew, M6 x 16, hex. hd., radiator to mtg. panels			A075W1028Z	4
15	Washer, flat, M6 x 25 x 1.4			A075W4017Z	4
16	Cage Nut, radiator to mtg. panels			A100W6362F	4
17	Screw, M5 x 16, pozi., mtg. panels to crash structure			A082W5107F	6
18	Washer, spring, M5			A082W4097F	6



Function Code 46.01 Engine Cooling System & Fan

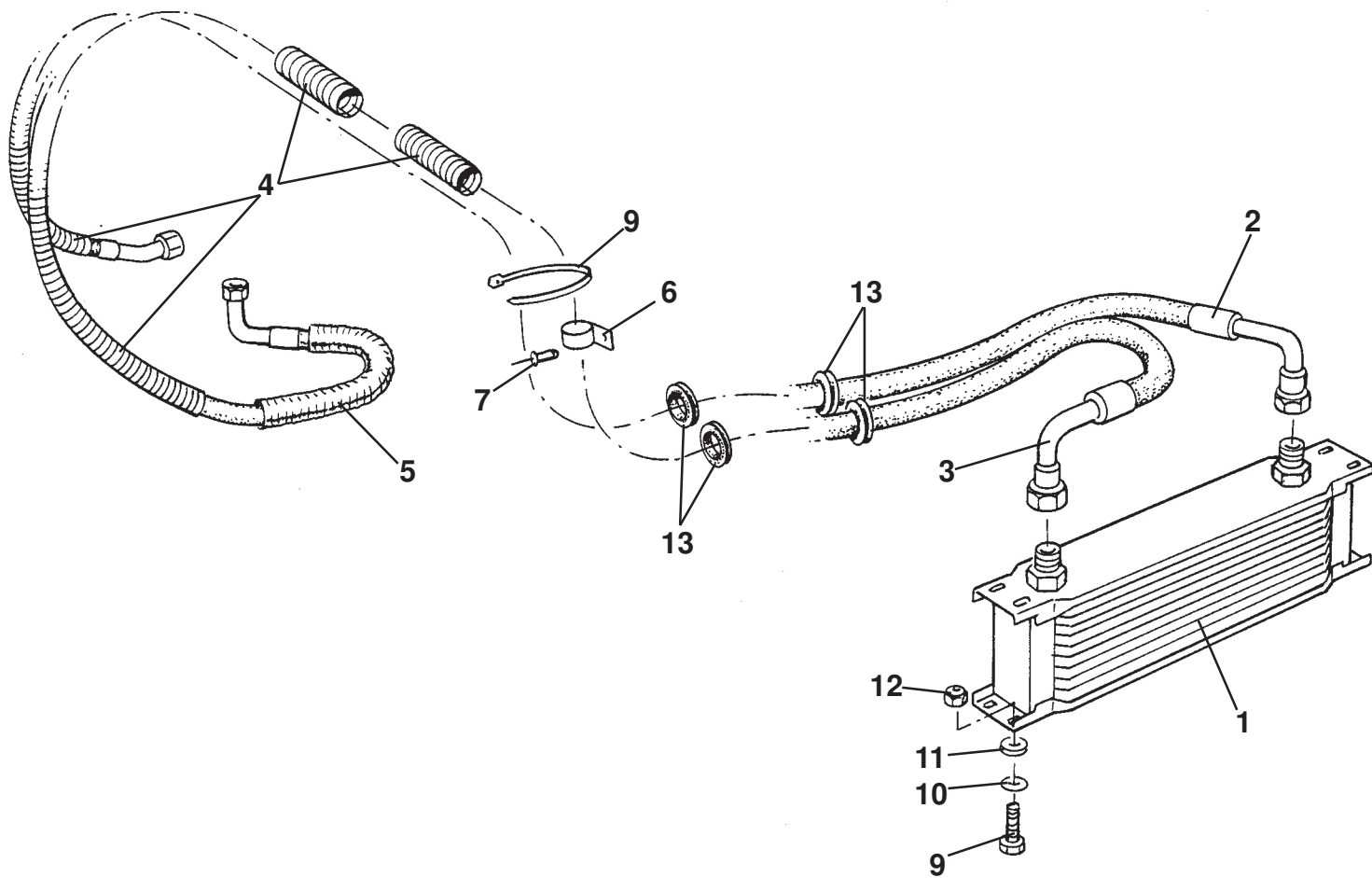
<u>Dep</u>	<u>Part Description</u>	<u>Remarks</u>	<u>Option</u>	<u>Part Number</u>	<u>Qty</u>
19	Washer, flat, 0.75"			A075W4009Z	6
20	Pressure Cap			A111K6001F	1
21	Header Tank			A111K6004F	1
22	Hose, engine outlet			A111K0029F	1
23	Hose, header tank bleed			A111K0009F	1
24	Hose, pipe to radiator, RH			A340K0002F	1
25	Hose, pipe to radiator LH (inc. bleed valve)		A340K0005F R/B	B340K0005F	1
26	Hose Clip, 25-40mm			A075M6145F	12
27	Blanking Plug, heater pipes			A111P0174F	2
28	Hose, engine inlet			A111K0016F	1
29	Pipe, engine inlet			A111K0017F	1
30	Hose, engine inlet			A111K0015F	1
31	Hose, header tank to engine			A079P4056F	1
32	Hose Clip, 16-25mm			A079K6018F	6
33	Bracket, header tank mounting			C111K0003F	1
34	Setscrew, M6 x 25 S/S			A918W1151F	2
35	Washer, M6			A075W4015Z	4
36	Nyloc Nut, M6			A907E6285F	2
37	Hose Clip, 20-32mm			B907E6085F	2
38	Hose Clip, 8-16mm			A082L6042F	3
39	Grommet, hose through chassis rear			A082K6022F	2



Function Code 46.01 Engine Cooling System & Fan

<u>Dep</u>	<u>Part Description</u>	<u>Remarks</u>	<u>Option</u>	<u>Part Number</u>	<u>Qty</u>
40	Grommet, pipe through chassis front			A111K6006F	2
41	Pipe, engine outlet			A111K0030F	1
42	Hose, engine outlet			A111K0023F	1
43	Coolant Pipe Assembly, engine return	Mounted on engine		A111E6229S	1
44	'P' Clip			A111W6573F	1
45	Setscrew, M8 x 25			A075W1039Z	1
46	Washer, M8			A075W4020Z	3
48	Clip			A082W6587F	2
49	Bracket, radiator fan mounting, LH			A340K0003F	1
50	Bracket, radiator fan mounting, RH			A340K0004F	1
51	Hose, coolant bypass			A111K0004K	1
52	Foam Seal, rad. to crash structure			A082U6065V	1.4m
53	Hose, bypass, pipe to thermostat			A111E6459S	1
54	Antifreeze	Not illustrated		A082K6063V	4 Ltr





46.03

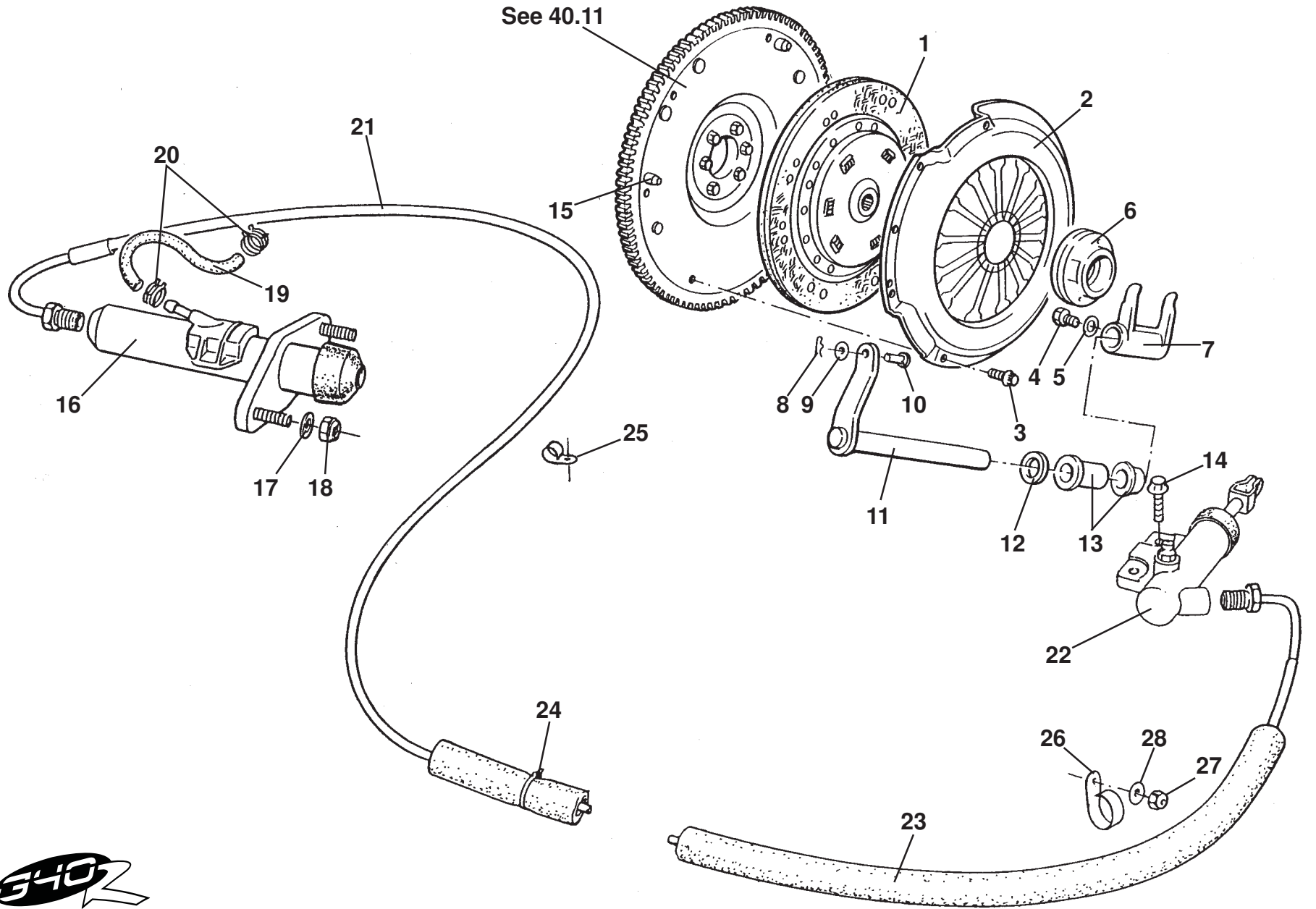
Service Parts List



Function Code 46.03 Oil Cooler/Heat Exchanger & Pipes

<u>Dep</u>	<u>Part Description</u>	<u>Remarks</u>	<u>Option</u>	<u>Part Number</u>	<u>Qty</u>
01	Oil Cooler, Mocal			A340E6025F	1
01a	Oil Cooler, Setrab	Mocal cooler replaces Setrab	A340E6019F R/B	A340E6025F	1
02	Hose, oil cooler feed			A340E6020F	1
03	Hose, oil cooler return			A340E0036F	1
04	Convolute Hose Protector			A082V7779V	As req.
05	Sleeve, heat protection			A111U6024V	As req.
06	'P' Clip, open, white			A075W6229F	8
07	Pop Rivet, 'P' clip fix.			A075W6087Z	8
08	Cable Tie			A082W6286F	5
09	Screw, M6 x 12, cap hd., cooler to duct		Mocal cooler	A000Z7043F	4
10	Washer, flat, M6 x 12.1 x 1.4, cooler to duct		Mocal cooler	A075W4013Z	4
11	Washer, spacer, cooler to duct		Mocal cooler	A340E0034F	4
12	Nyloc Nut, M6, cooler to duct		Mocal cooler	A075W3009Z	4
13	Grommet, hoses through crash structure			A079U6033F	4





47.01

Service Parts List



Function Code 47.01 Clutch & Release Mechanism

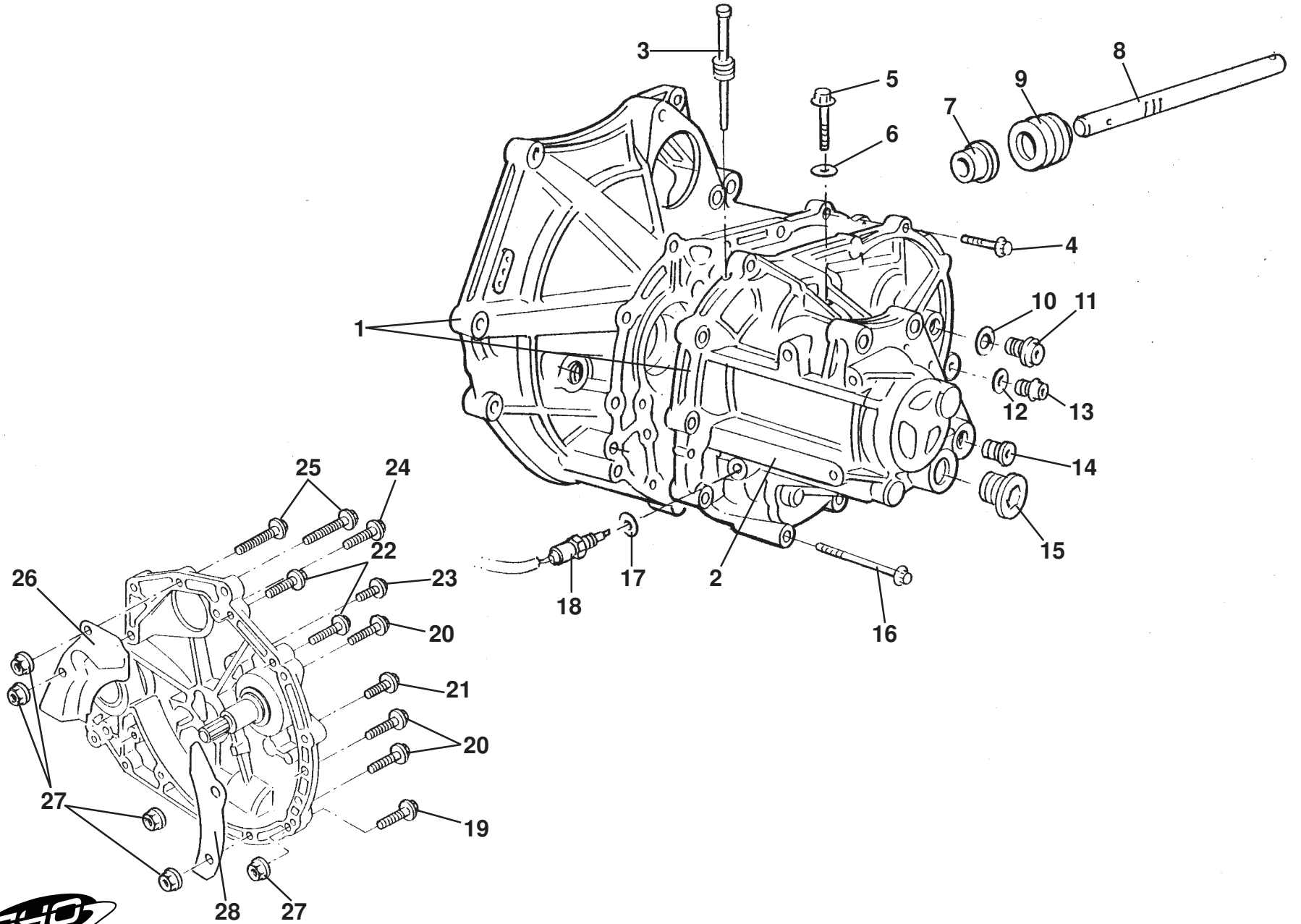
<u>Dep</u>	<u>Part Description</u>	<u>Remarks</u>	<u>Option</u>	<u>Part Number</u>	<u>Qty</u>
01	Clutch Driven Plate			A111Q6005S	1
02	Clutch Cover			A111Q6004S	1
03	Bolt, clutch cover to flywheel			A111Q6010S	6
04	Bolt, lock, Release fork to shaft			A111Q6013S	1
05	Washer, release fork to shaft			A111Q6014S	1
06	Clutch Release Bearing			A111Q6007S	1
07	Clutch Fork			A111Q6011S	1
08	'R' Clip			A082W6348F	1
09	Washer			A111Q6014S	1
10	Clevis pin			TBA	1
11	Shaft, clutch release fork			A111Q6012S	1
12	Seal, clutch shaft			A111F6031S	1
13	Bush Kit, clutch shaft			A111F6032S	1
14	Screw, M10 x 22, slave cylinder to mtg. bracket			A111E6140S	2
15	Dowel, clutch to flywheel			A111Q6009S	
16	Clutch Master Cylinder			A111Q6001F	1
17	Washer, M8 x 16.6, master cylinder to pedal box			A075W4020Z	2
18	Nyloc Nut, M8, master cylinder to pedal box			A111W3126F	2



Function Code 47.01 Clutch & Release Mechanism

<u>Dep</u>	<u>Part Description</u>	<u>Remarks</u>	<u>Option</u>	<u>Part Number</u>	<u>Qty</u>
19	Hose, reservoir to clutch master cylinder		C111J0085F R/B	A117J0082F	1
20	Clip, hose, reservoir to cylinder		A079W6189F R/B	A918W6541F	2
21	Clutch Pipe Assembly, steel braided			A111Q0005S	1
22	Clutch Slave Cylinder			A111Q6006S	1
23	Tube, anti-rattle		A111J0084K R/B	A111J6026V	As req.
24	Cable Tie, tube to pipe			A075W6038Z	1
25	'P' Clip, pipe to chassis front				1
26	'P' Clip, pipe to cockpit tub				1
27	Nyloc Nut, 'P' clip retention				1
28	Washer, flat				1
29	Repair Kit, slave cylinder	Not illustrated		A111Q6008S	1





47.03

Service Parts List



Function Code 47.03 Transmission Assembly

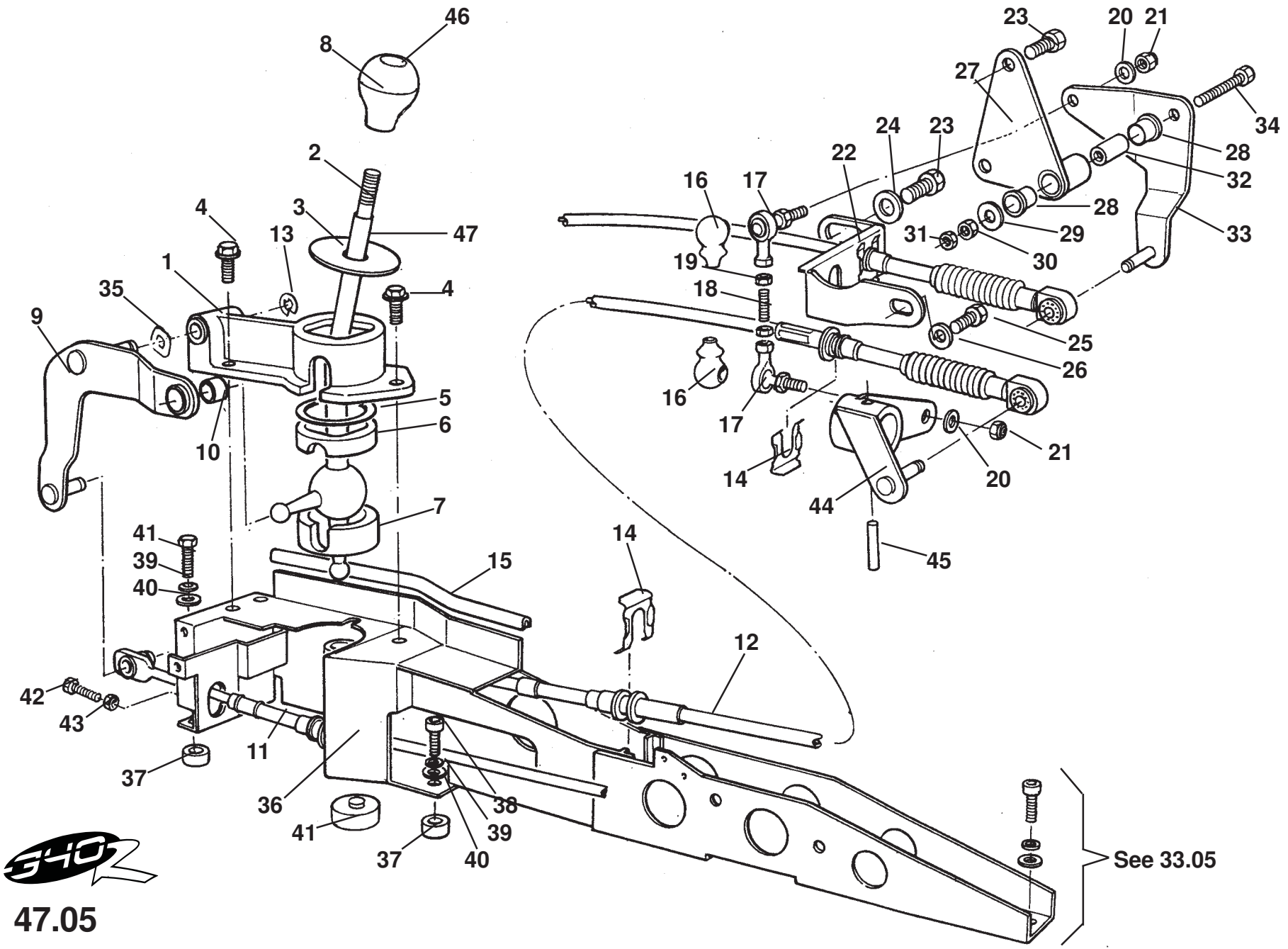
<u>Dep</u>	<u>Part Description</u>	<u>Remarks</u>	<u>Option</u>	<u>Part Number</u>	<u>Qty</u>
01	Transmission Assembly, close ratio, 4.2 FD			A111F0034S	1
02	Transmission Main Casing			A111F6037S	1
03	Breather Pipe			A111E6169S	1
04	Bolt, M10 x 42, flg. hd., transmission to clutch housing			A111F6161S	12
05	Bolt, flg. hd., reverse idler shaft fixing			A111F6162S	1
06	Washer, reverse idler shaft fixing			A111F6163S	1
07	Oil Seal, gearshift rod			A111F6023S	1
08	Rod, gearshift			A111F6033S	1
09	Gaiter, gearshift rod			A111F6180S	1
10	Washer, filler/level plug, 20mm			A111F6166S	1
11	Plug, filler/level			A111F6165S	1
12	Washer, drain plug			A111E6035S	1
13	Drain Plug			A111F6026S	1
14	Sealing Plug, rear of transmission case			A111F6168S	1
15	Plug, access to output shaft bearing circlip, 32mm			A111F6167S	1
16	Bolt, M10 x 92, flg. hd., transmission to clutch housing			A111F6164S	2
17	Sealing Washer, reverse switch			A111E6035S	1
18	Reverse Lamp Switch			A111F6021S	1



Function Code 47.03 Transmission Assembly

<u>Dep</u>	<u>Part Description</u>	<u>Remarks</u>	<u>Option</u>	<u>Part Number</u>	<u>Qty</u>
20	Bolt, M12 x 50, flg. hd., transmission to engine			A111F6171S	3
21	Screw, M10 x 35, flg. hd., transmission to engine			A111F6172S	1
22	Bolt, M12 x 30, flg. hd., transmission to engine			A111F6181S	2
23	Screw, M10 x 30, flg. hd., transmission to engine			A111F6174S	1
24	Bolt, M12 x 65, flg. hd., transmission to engine			A111F6175S	1
25	Bolt, M12 x 90, flg. hd., transmission to engine			A111F6176S	2
26	Closure plate, rear			A111F6177S	1
27	Nut, flg hd. M12, front/rear closure plate fixing			A111F6178S	5
28	Closure plate, front			A111F6179S	1
29	Magnet, swarf attraction, transmission case	Not illustrated		A111F6100S	1
30	Dowel, clutch housing to gearbox	Not illustrated		A111F6197S	2
31	Gearbox Oil, Texaco MTF 94			A111F6017V	2.1 lit





47.05

See 33.05

Service Parts List



Function Code 47.05 Gearchange Mechanism, External

<u>Dep</u>	<u>Part Description</u>	<u>Remarks</u>	<u>Option</u>	<u>Part Number</u>	<u>Qty</u>
01	Housing, gear lever pivot			A111F6008F	1
02	Gear Lever	Includes heatshrink, item 48		A111F0013F	1
03	Dust Shield, gear lever			A111F0005K	1
04	Screw, self tap., housing to bracket			A111F6014F	3
05	Gasket/Spacer, neoprene			A111F6010F	1
06	Socket, upper			A111F6009F	1
07	Socket, lower			A111F6011F	1
08	Knob, gear lever, alloy			C111F0002F	1
09	Bellcrank/Pivot Pin Assembly			A111F6006F	1
10	Bush, crossover			A111F6005F	1
11	Crossgate Cable, gearchange			A111F0004F	1
12	Selector Cable, gearchange			A111F0003F	1
13	Circlip, type 'E', pivot retention			A111E6012H	1
14	Retaining Clip, gearchange			A111F6018F	4
15	Edging Strip, rubber			B075U6054V	0.13M
16	Boot, gear linkage			A082F4149F	2
17	Rod End, gear change			A082F6368F	2
18	Tie Rod			B111F0028F	1



Function Code 47.05 Gearchange Mechanism, External

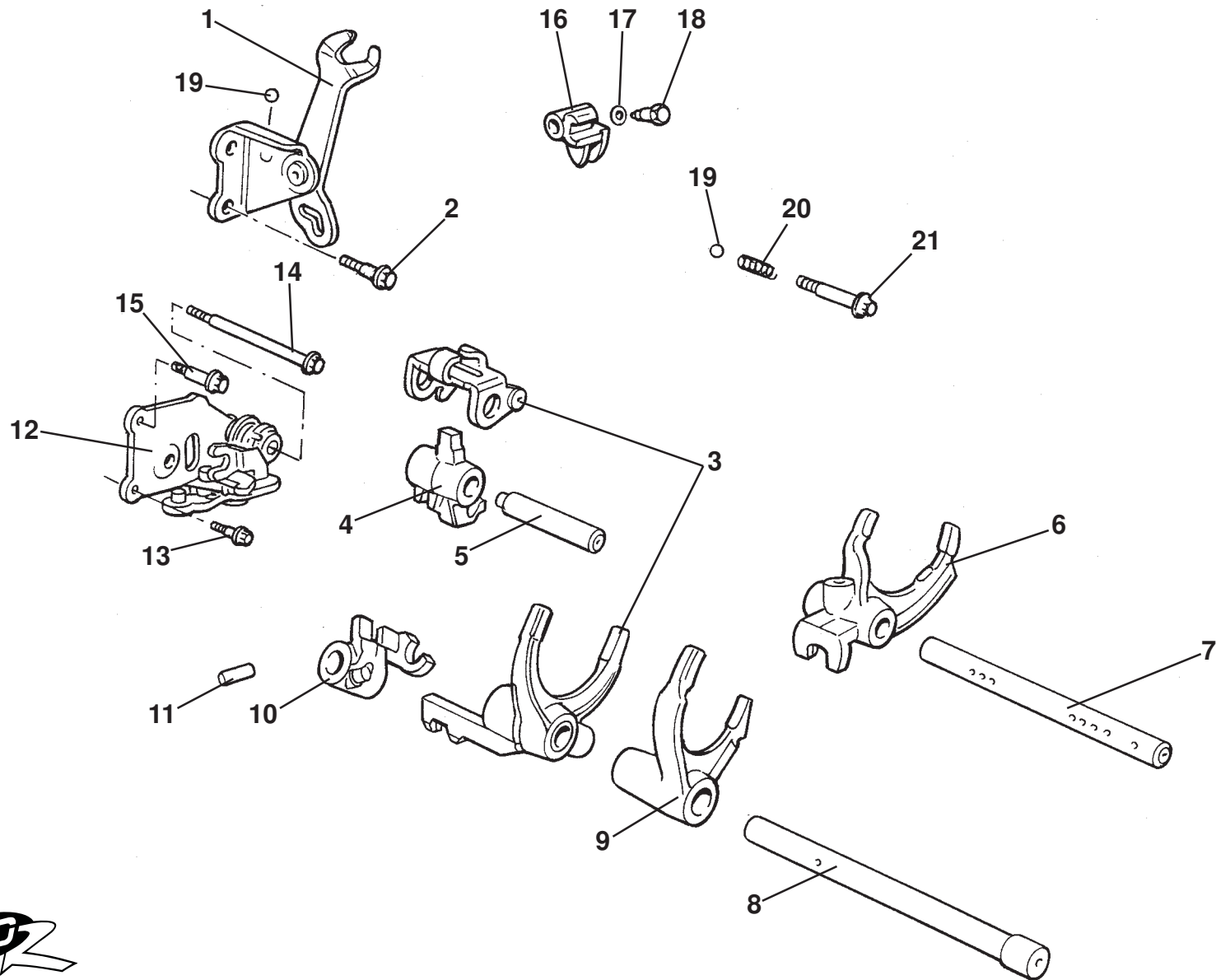
<u>Dep</u>	<u>Part Description</u>	<u>Remarks</u>	<u>Option</u>	<u>Part Number</u>	<u>Qty</u>
19	Locknut			A082W3085F	2
20	Washer, flat, M5 x 12 x 1.4			A075W4013Z	2
21	Nyloc Nut, M5			A075W3009Z	2
22	Bracket Abutment, gear linkage		A111F0015F R/B	C111F0015F	1
23	Screw, M12 x 1.25 x 30 flg. hd.		A111W1159F R/B	A117W2205F	2
24	Washer, M12 x 23.5 x 2.3			A075W4028Z	1
25	Screw, M10 x 25, hex. hd.			A075W1048Z	1
26	Washer, M10 x 20 x 1.8			A075W4024Z	1
27	Pivot Plate Assembly			A111F0023F	1
28	Bush			A111F6015F	2
29	Washer, M8			A079W4019F	1
30	Nut, M8, full hex.			A075W3021Z	1
31	Nut, M8, hex. thin			A075W3026Z	1
32	Pivot Shaft, gear linkage			A111F0026F	1
33	Crossgate Selector		A111F0016F R/B	B111F0016F	1
34	Screw, M8 x 45, hex. hd.			A075W1043Z	1
35	Washer, wavy, M10 x 15 x 0.16			A111W4167F	1
36	Mounting Bracket, gear selector mechanism			C111F0006F	1
37	Spacer, mounting bracket to gear selector			A111F0012F	3
38	Screw, M8 x 30, cap hd., bracket to floor			A089W7052F	1
39	Washer, spring, M8			A075W4036Z	3



Function Code 47.05 Gearchange Mechanism, External

<u>Dep</u>	<u>Part Description</u>	<u>Remarks</u>	<u>Option</u>	<u>Part Number</u>	<u>Qty</u>
40	Washer, flat, M8 x 16.6 x 1.4			A075W4020F	1
41	Spacer, gear selector mounting bracket to step plate			A111F0032F	2
42	Screw, M5 x 16, hex hd.			A075W1085F	1
43	Nut, M5, hex hd., crossgate stop			A082W3084F	1
44	Link, gear selector			B111F0019F	1
45	Translator Pin, gearbox			A111F6019F	1
46	Label, gear change pattern			A111U0004F	1
47	Heatshrink Tube, gearlever	Part of lever, item 2		A111V6021V	As req.
48	Permabond A130, knob to lever	Not illustrated		A912E7033V	As req.





47.06

Service Parts List



Function Code 47.06 Gear Selector Mechanism, Internal

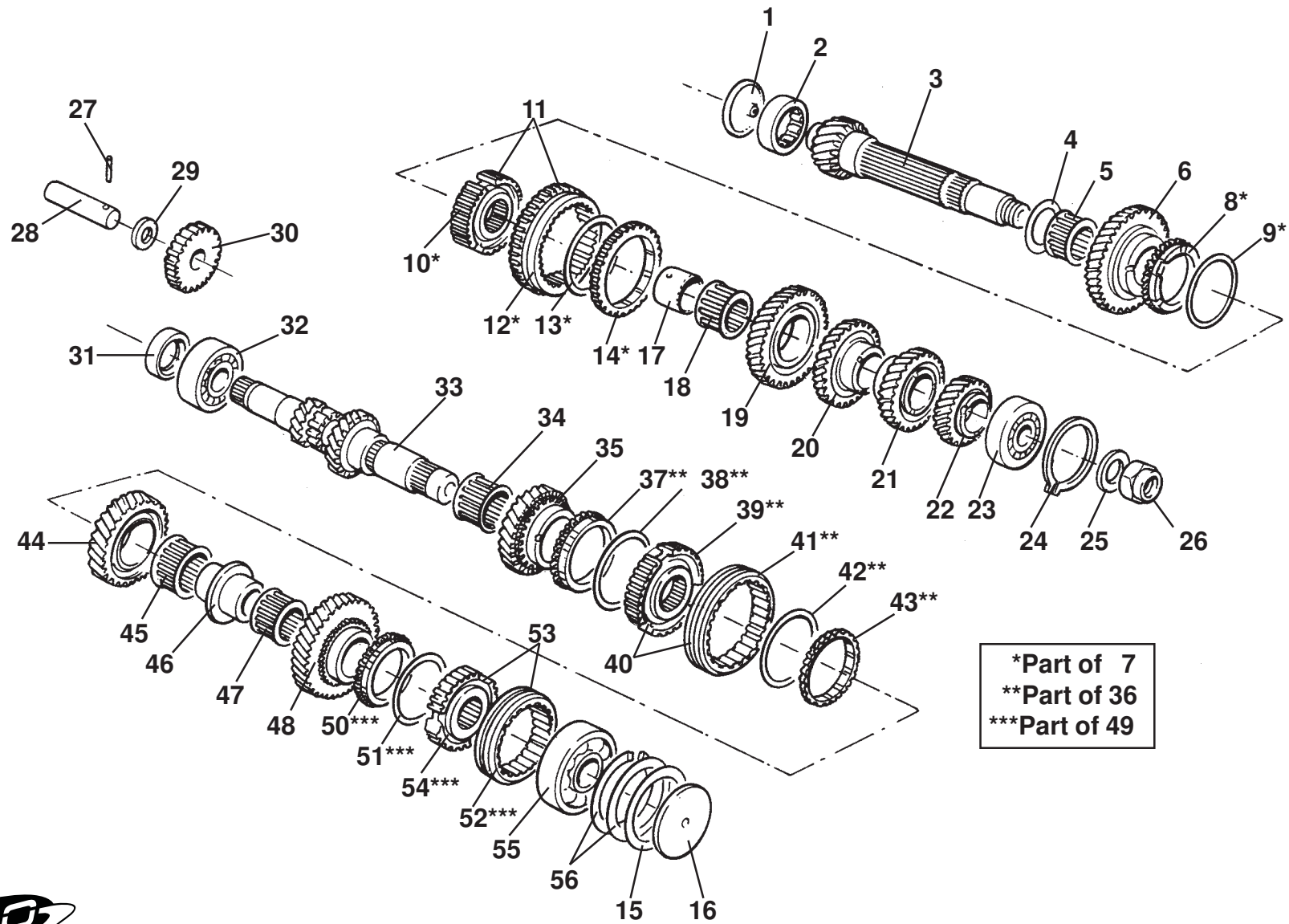
<u>Dep</u>	<u>Part Description</u>	<u>Remarks</u>	<u>Option</u>	<u>Part Number</u>	<u>Qty</u>
01	Reverse Selector Fork			A111F6143S	1
02	Bolt, M6 x 22.5, flg. hd., selector fix.			A111F6144S	2
03	Kit: Interlock Guide/Selector Fork, 3rd/4th gears			A111F6156S	1
04	Selector Actuator			A111F6146S	1
05	Selector Shaft			A111F6147S	1
06	Selector Fork, 1st/2nd gears			A111F6148S	1
07	Selector Shaft, 1st/2nd gears			A111F6149S	1
08	Selector Shaft, 5th/reverse gears			A111F6150S	1
09	Selector Fork, 5th gear			A111F6151S	1
10	Gear selector, 5th/reverse gears			A111F6153S	1
11	Roll Pin, 5th/reverse selector			A111F6154S	1
12	Translator Assembly			A111F6202S	1
13	Bolt, M6 x 22.5, flg. hd., translator fix.			A111F6144S	1
14	Bolt, special, M8, flg. hd., translator fix.			A111F6204S	1
15	Bolt, M6 x 18, flg. hd., translator fix.			A111F6203S	1
16	Selector Shaft Guide			A111F6198S	1
17	Dowel Bolt, M8 x 24, flg. hd.			A111F6199S	1
18	Washer, spring, M6			A111F6014S	1



Function Code 47.06 Gear Selector Mechanism, Internal

<u>Dep</u>	<u>Part Description</u>	<u>Remarks</u>	<u>Option</u>	<u>Part Number</u>	<u>Qty</u>
19	Steel Ball, detent			A111F6201S	2
20	Spring, detent			A111F6206S	1
21	Cap Bolt, spring retention			A111F6205S	1





47.07

Service Parts List



Function Code 47.07 Gears, Shafts & Bearings

<u>Dep</u>	<u>Part Description</u>	<u>Remarks</u>	<u>Option</u>	<u>Part Number</u>	<u>Qty</u>
01	Oil Guide Plate, input shaft			A111F6065S	1
02	Caged Roller Bearing, output shaft			A111F6066S	1
03	Output Shaft, 15 teeth			A111F6189S	1
04	Thrust Washer, 1.96 mm	1st gear end float adjustment		A111F6068S	As req.
04a	Thrust Washer, 1.99 mm	1st gear end float adjustment		A111F6069S	As req.
04b	Thrust Washer, 2.02 mm	1st gear end float adjustment		A111F6070S	As req.
04c	Thrust Washer, 2.05 mm	1st gear end float adjustment		A111F6071S	As req.
04d	Thrust Washer, 2.08 mm	1st gear end float adjustment		A111F6072S	As req.
05	Needle Roller Bearing, 1st gear			A111F6073S	1
06	1st Gear			A111F6190S	1
07	Synchroniser Assembly, 1st/2nd gear	Includes items: 8/9/10/12/13/14		A111F6075F	1
08	Synchro Ring, 1st gear	Part of item: 7*		A111F6076F	1
09	Synchro Spring, 1st gear	Part of item: 7*		A111F6077S	1
10	Synchro Hub, 1st/2nd gear	Part of item: 7 & 11*		A111F6078S	1
11	Synchro Hub/Sleeve Assembly	Assy. of items: 10 & 12*		A111F6109S	1
12	Synchro Sleeve, 1st/2nd gear	Part of item: 7 & 11*		A111F6079S	1
13	Synchro Spring, 2nd gear	Part of item: 7*		A111F6080S	1
14	Synchro Ring, 2nd gear	Part of item: 7*		A111F6081S	1



Function Code 47.07 Gears, Shafts & Bearings

<u>Dep</u>	<u>Part Description</u>	<u>Remarks</u>	<u>Option</u>	<u>Part Number</u>	<u>Qty</u>
15	Thrust Washer, input shaft end			A111F6139S	1
16	Oil Guide Plate			A111F6140S	1
17	Selective Collar, 2nd gear end float adjustment			A111F6082F	As req.
17a	Selective Collar, 2nd gear end float adjustment			A111F6083S	As req.
17b	Selective Collar, 2nd gear end float adjustment			A111F6084S	As req.
17c	Selective Collar, 2nd gear end float adjustment			A111F6085S	As req.
18	Needle Roller Bearing, 2nd gear			A111F6086S	1
19	2nd Gear, 35 teeth			A111F6191S	1
20	3rd Gear, 34 teeth			A111F6088S	1
21	4th Gear, 31 teeth			A111F6089S	1
22	5th Gear			A111F6188S	1
23	Ball Bearing, output shaft			A111F6091S	1
24	Circlip, 60mm			A111F6095S	1
25	Washer, tongued belleville, M23			A111F6093S	1
26	Lock Nut, M23, LH thread, output shaft			A111F6094S	1
27	Roll Pin, reverse idler shaft locking			A111F6097S	1
28	Reverse Idler Shaft			A111F6096S	1
29	Thrust Washer, reverse idler gear			A111F6098S	1
30	Reverse Idler Gear			A111F6099S	1
31	Oil Seal, input shaft			A111F6024S	1
32	Ball Bearing, input shaft			A111F6101S	1



Function Code 47.07 Gears, Shafts & Bearings

<u>Dep</u>	<u>Part Description</u>	<u>Remarks</u>	<u>Option</u>	<u>Part Number</u>	<u>Qty</u>
33	Input Shaft		A111F6193S R/B	A111F6208S	1
34	Needle Roller Bearing, 3rd gear			A111F6104S	1
35	3rd Gear, 26 teeth			A111F6103S	1
36	Synchroniser Assembly, 3rd/4th gear	Includes items: 37/38/39/41/42/43		A111F6105S	1
37	Synchro Ring, 3rd gear	Part of item: 36*		A111F6106S	1
38	Synchro Spring, 3rd gear	Part of item: 36*		A111F6107S	1
39	Synchro Hub, 3rd/4th gears	Part of item: 36 & 40*		A111F6110S	1
40	Synchro Hub/Sleeve assembly 3rd/4th gears	Assy. of items: 39 & 41*		A111F6108S	1
41	Synchro Sleeve, 3rd/4th gears	Part of item: 36 & 40*		A111F6111S	1
42	Synchro Spring, 4th gear	Part of item: 36*		A111F6112S	1
43	Synchro Ring, 4th gear	Part of item: 36*		A111F6113S	1
44	4th Gear, 30 teeth			A111F6114S	1
45	Needle Roller Bearing, 4th gear			A111F6104S	1
46	Distance Collar, 4th/5th gear			A111F6115S	As req.
47	Needle Roller Bearing, 5th gear			A111F6104S	1
48	5th Gear, 33 teeth			A111F6187S	1
49	Synchroniser Assembly, 5th gear	Includes items: 50/51/52/53/55		A111F6118S	1
50	Synchro Ring, 5th gear	Part of item: 49*		A111F6119S	1
51	Synchro Spring, 5th gear	Part of item: 49*		A111F6120S	1
52	Synchro Sleeve, 5th gear	Part of item: 49*		A111F6123S	1
53	Synchro Hub/Sleeve Assembly, 5th gear	Assy. of items: 52 & 54*		A111F6121S	1

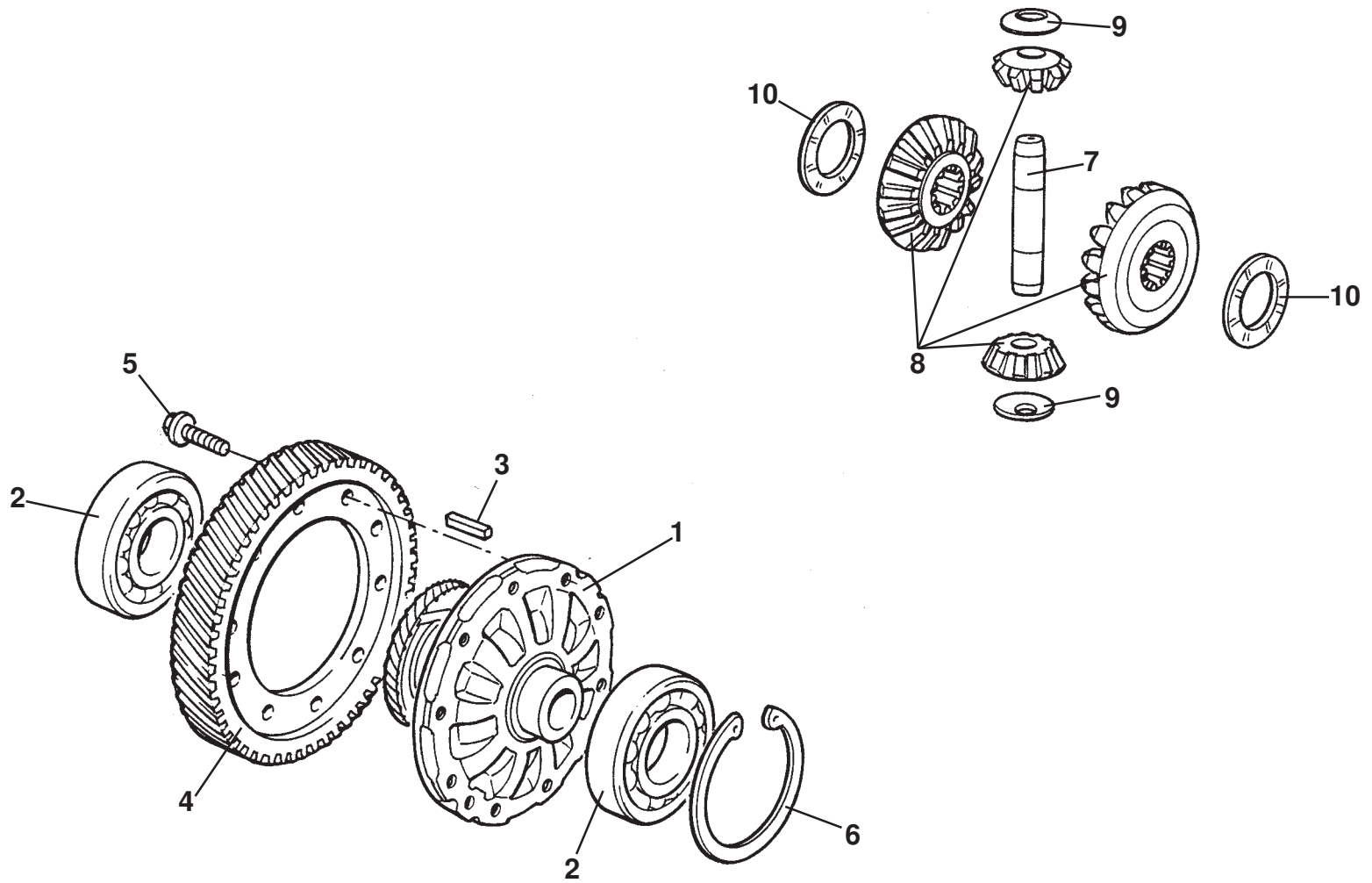


Function Code 47.07 Gears, Shafts & Bearings

<u>Dep</u>	<u>Part Description</u>	<u>Remarks</u>	<u>Option</u>	<u>Part Number</u>	<u>Qty</u>
54	Synchro Hub, 5th gear	Part of item: 49 & 53*		A111F6122S	1
55	Ball Bearing, input shaft			A111F6124S	1
56	Snap Ring, input shaft, 0.50mm			A111F6125S	As req.
56a	Snap Ring, input shaft, 0.55mm			A111F6126S	As req.
56b	Snap Ring, input shaft, 0.60mm			A111F6127S	As req.
56c	Snap Ring, input shaft, 0.65mm			A111F6128S	As req.
56d	Snap Ring, input shaft, 0.70mm			A111F6129S	As req.
56e	Snap Ring, input shaft, 0.75mm			A111F6130S	As req.
56f	Snap Ring, input shaft, 0.80mm			A111F6131S	As req.
56g	Snap Ring, input shaft, 0.85mm			A111F6132S	As req.
56h	Snap Ring, input shaft, 0.90mm			A111F6133S	As req.
56i	Snap Ring, input shaft, 0.95mm			A111F6134S	As req.
56j	Snap Ring, input shaft, 1.00mm			A111F6135S	As req.
56k	Snap Ring, input shaft, 1.05mm			A111F6136S	As req.
56l	Snap Ring, input shaft, 1.10mm			A111F6137S	As req.
56m	Snap Ring, input shaft, 1.15mm			A111F6138S	As req.

*Only available as synchroniser
assembly





47.11

Service Parts List



Function Code 47.11 Final Drive & Bearings

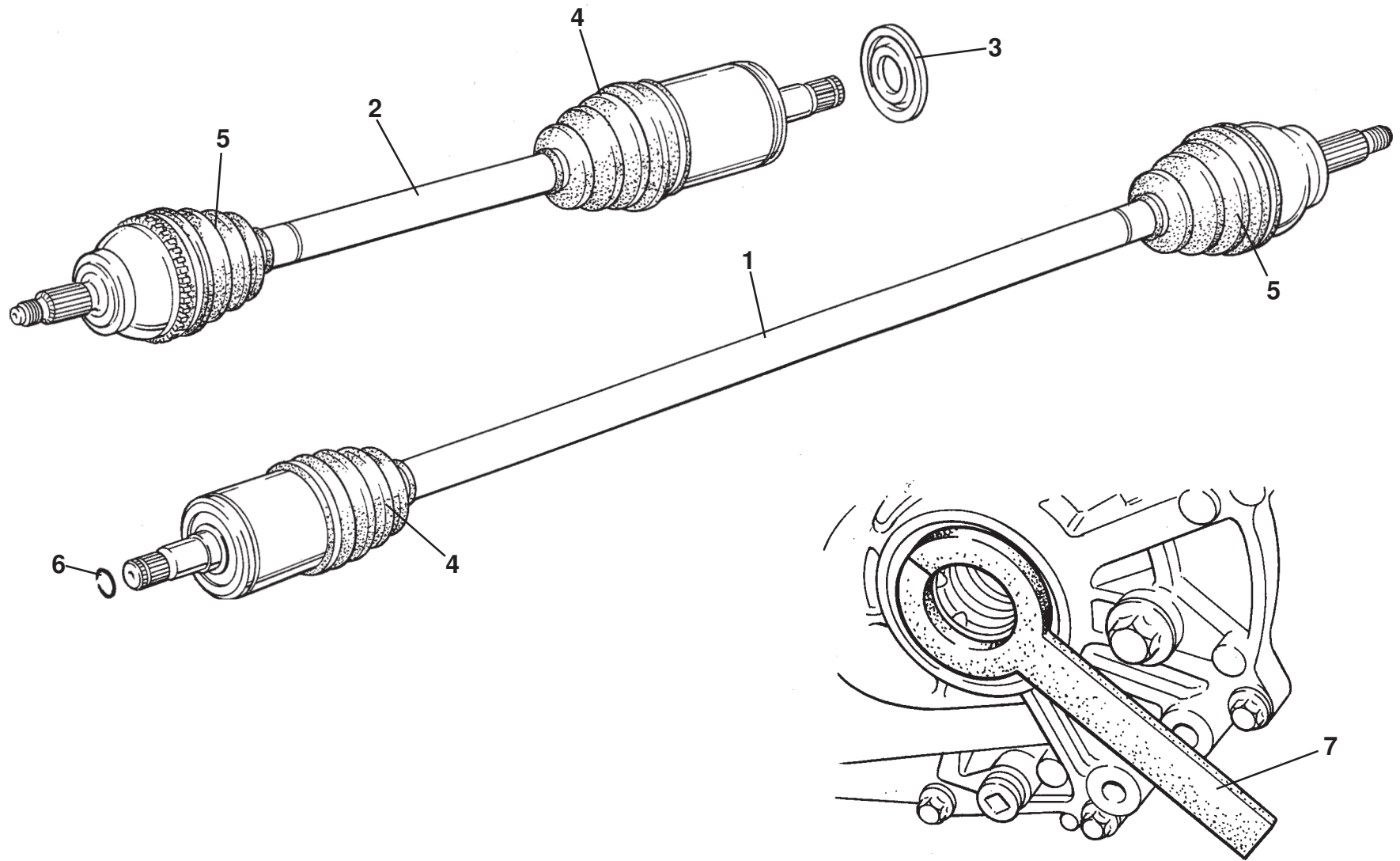
<u>Dep</u>	<u>Part Description</u>	<u>Remarks</u>	<u>Option</u>	<u>Part Number</u>	<u>Qty</u>
01	Differential Assembly,	Without ring gear		A111F6040S	1
02	Ball Bearing, differential			A111F6043S	2
03	Roll Pin, differential pinion shaft			A111F6044S	1
04	Final Drive Gear, 63 teeth, 4.2 ratio	Rover p/n - DBM 711		A111F6196S	1
05	Bolt, final drive gear to differential casing			A111F6046S	10
06	Shim, 2.5mm			A111F6047S	1
06a	Shim, 2.6mm			A111F6048S	1
06b	Shim, 2.7mm			A111F6049S	1
06c	Shim, 2.8mm			A111F6050S	1
06d	Shim, 2.9mm			A111F6051S	1
06e	Shim, 3.0mm			A111F6052S	1
07	Pinion Shaft			A111F6053S	1
08	Sun/Planet gear, matched set			A111F6055S	1
09	Thrust Washer, planet gear, 0.70mm			A111F6056S	1
09a	Thrust Washer, planet gear, 0.75mm			A111F6057S	1
09b	Thrust Washer, planet gear, 0.80mm			A111F6058S	1
09c	Thrust Washer, planet gear, 0.85mm			A111F6059S	1
09d	Thrust Washer, planet gear, 0.90mm			A111F6060S	1



Function Code 47.11 Final Drive & Bearings

<u>Dep</u>	<u>Part Description</u>	<u>Remarks</u>	<u>Option</u>	<u>Part Number</u>	<u>Qty</u>
09e	Thrust Washer, planet gear, 0.95mm			A111F6061S	1
09f	Thrust Washer, planet gear, 1.00mm			A111F6062S	1
09g	Thrust Washer, planet gear, 1.05mm			A111F6063S	1
10	Thrust Washer, sun gear			A111F6064S	1





47.15

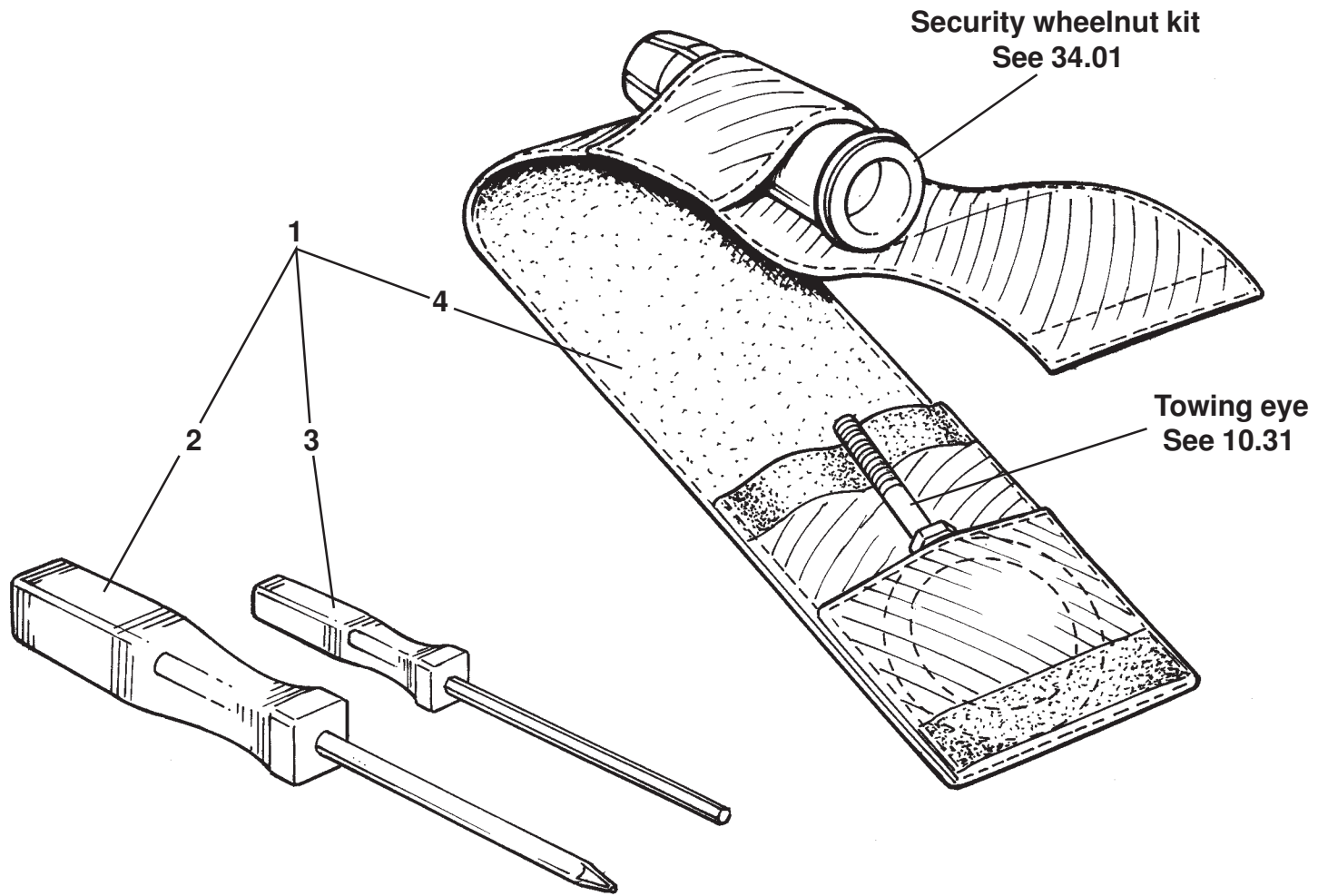
Service Parts List



Function Code 47.15 Driveshafts & Seals

<u>Dep</u>	<u>Part Description</u>	<u>Remarks</u>	<u>Option</u>	<u>Part Number</u>	<u>Qty</u>
01	Drive Shaft, RH			A111D6008F	1
02	Drive Shaft, LH			A111D6007F	1
03	Oil Seal, drive shaft, LH			A111F6029S	1
03a	Oil Seal, drive shaft, RH			A111F6030S	1
04	Gaiter Kit, inboard CV joint	Including clips and grease		A111D6011S	2
05	Gaiter Kit, outboard CV joint	Including clips and grease		A111D6012S	2
06	Circlip, driveshaft retention in transmission			A100R6001F	2
07	Special Tool, seal protector,	Used to insert driveshaft		T000T1390F	1





Security wheelnut kit
See 34.01

Towing eye
See 10.31



60.01

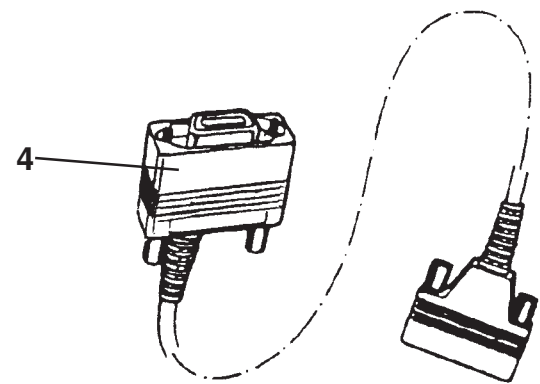
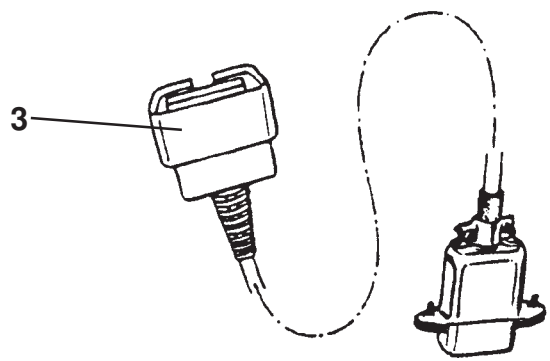
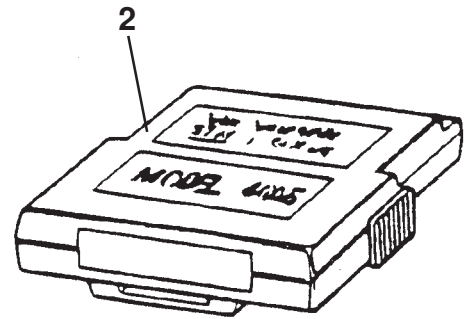
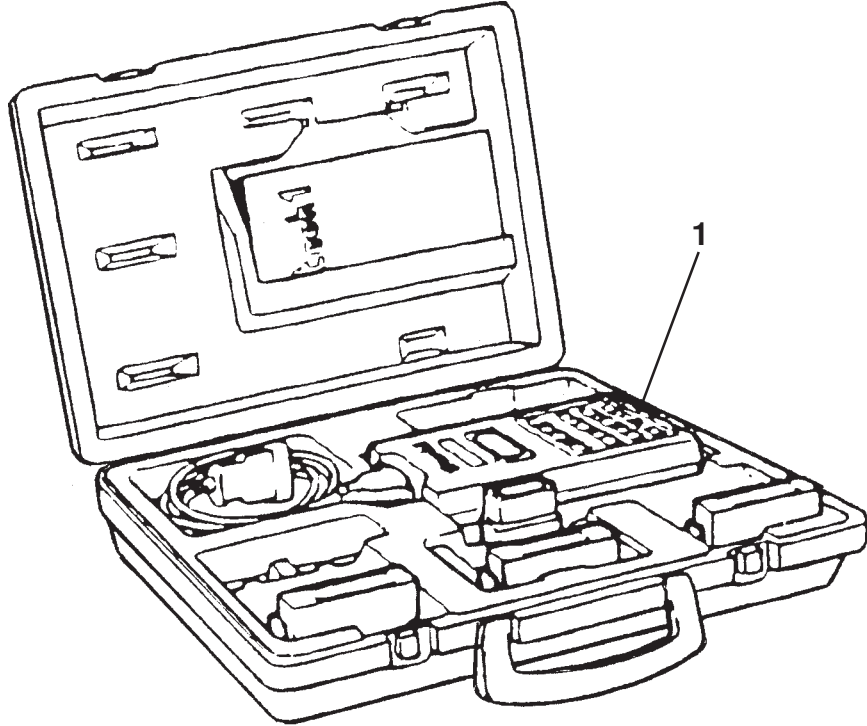
Service Parts List



Function Code 60.01 Tool Kit

<u>Dep</u>	<u>Part Description</u>	<u>Remarks</u>	<u>Option</u>	<u>Part Number</u>	<u>Qty</u>
01	Tool Kit			A340V0036J	1
02	Screwdriver, pozi.			A340T6004F	1
03	Screwdriver, hex, 3mm			A340T6003F	1
04	Tool Bag			A340T0002J	1





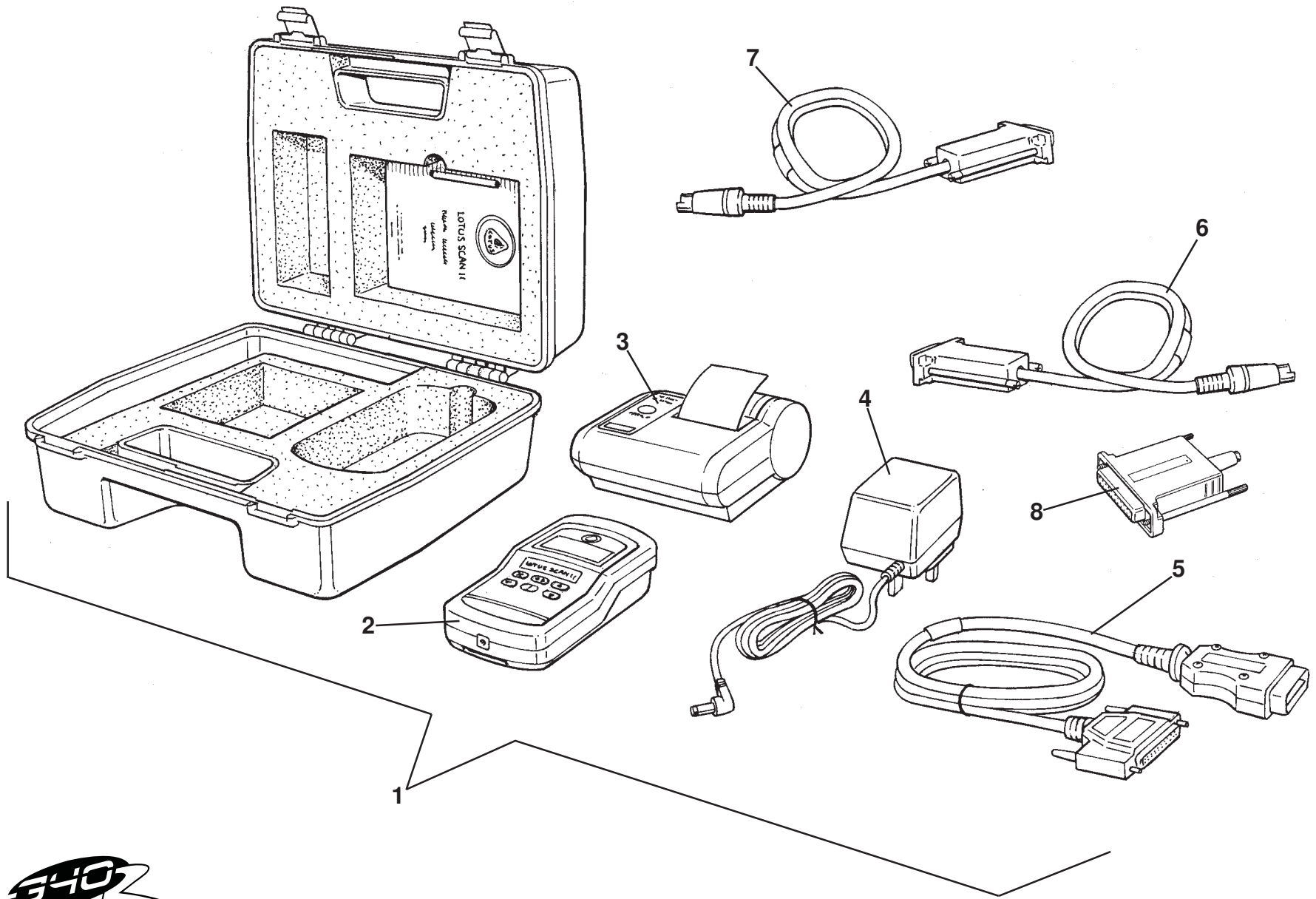
60.01a

Service Parts List *EXIGE*



Function Code 60.01a Diagnostic Equipment

<u>Dep</u>	<u>Part Description</u>	<u>Remarks</u>	<u>Option</u>	<u>Part Number</u>	<u>Qty</u>
01	'Tech 1' Diagnostic scanner kit	Including cartridge		T000T0896/2	1
02	Calibration Cartridge, 'Tech 1' scanner	Lotus Esprit 1996 ECU	Engine Management	T000T1307F	1
03	Adaptor Cable, connector lead to DLC	Connects Tech 1 connector lead to DLC	Part of 'Tech 1' Kit	T000T1306F	1
04	Connector lead, 'Tech 1' scanner	Connects Tech 1 connector lead to adaptor cable T000T1306F	Part of 'Tech 1' Kit	T000T1312F	1
05	Lead, download from Scan 2, red	See Service Bulletin 2002/2R	Lotus Scan 2	T000T1435F	1
		Note: Lotus Scan 2 will replace 'Tech 1' when obsolete, see section 6001b			



60.01b

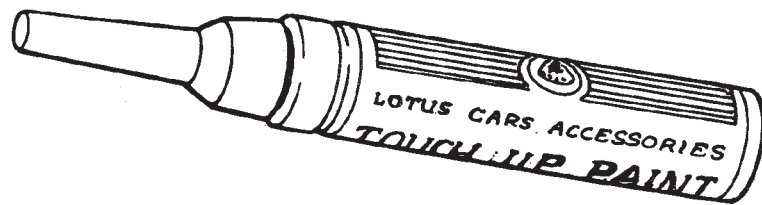
Service Parts List



Function Code 60.01b Diagnostic Equipment, Scan III

<u>Dep</u>	<u>Part Description</u>	<u>Remarks</u>	<u>Option</u>	<u>Part Number</u>	<u>Qty</u>
01	Lotus Scan III Kit			T000T1467F	1
02	Lotus Scan III, scanner tool			T000T1426F	1
03	Printer			T000T1419F	1
04	Transformer, printer or scanner power supply			T000T1427F	1
05	Lead, scanner to ALDL connector, red			T000T1435F	1
06	Lead, scanner to printer			T000T1429F	1
07	Lead, scanner to PC			T000T1430F	1
08	Adaptor, transformer to scanner			T000T1436F	1





80.20a

Service Parts List



Function Code 80.20a Touch-in Paint Pencil Range

<u>Dep</u>	<u>Part Description</u>	<u>Remarks</u>	<u>Option</u>	<u>Part Number</u>	<u>Qty</u>
80	B80, Grey Metallic			A082B6399F	1
81	B81, Black Metallic			A082B6398F	1

