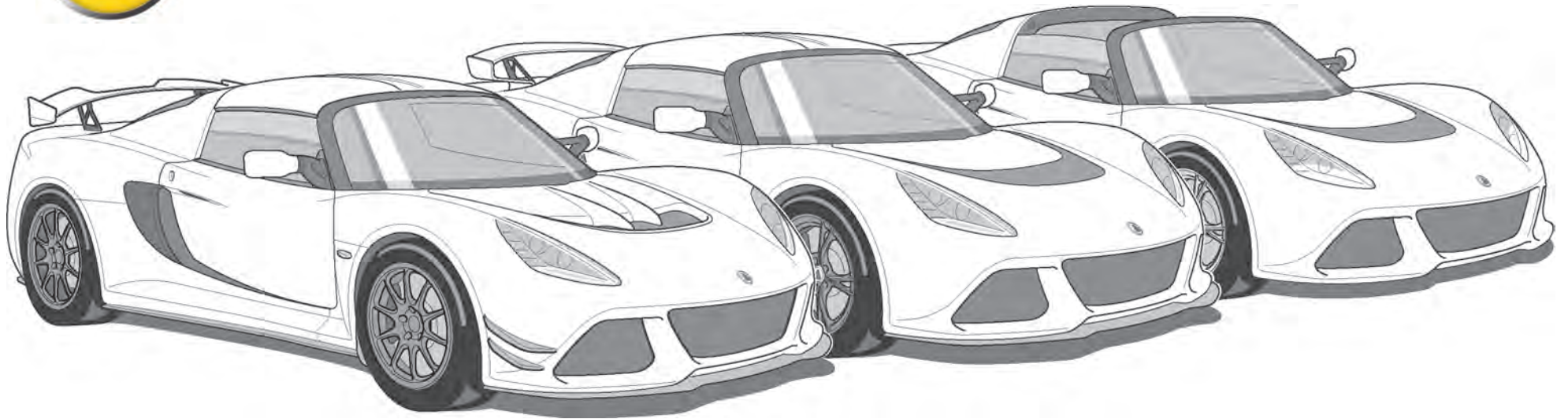




# EXIGE S SERVICE PARTS LIST



**EXIGE**  
S

**EXIGE 350**  
SPORT

**EXIGE 380**  
SPORT

Coupe & Roadster manual and automatic & LF1 special edition supplement  
For Exige 360 Cup / V6 Cup road car unique parts see V6 cup parts list A702T0325J  
For Exige V6 CUP R components contact Lotus Aftersales

Technical Publications., Lotus Cars Ltd, Hethel, Norwich, Norfolk, NR14 8EZ. England.

Tel: +44 (0)1953 608000 [www.lotuscars.com](http://www.lotuscars.com)

© Lotus Cars 2012

A138T0325J

*Updated 2nd May 2017*



## **10.00 Body**

---

- 10.01 Body: Front & Rear Clamshells & Fixings
- 10.02 Body: Bodysides, Windscreen Frame & Rear Bulkhead
- 10.04 Crash Structures
- 10.09 Front Services Access Panels
- 10.11 Tailgate & Release Mechanism
- 10.13 Engine Compartment, Cover, Latch Mechanism
- 10.15 Door Shells, Beams, Hinges
- 10.17 Door Latch Mechanism
- 10.23 Bumpers, Valences Spoilers & Aerofoils
- 10.25 Undertray & Diffuser
- 10.31 Towing Strut/ Hook

## **11.00 Glazing and Seals**

---

- 11.01 Windscreen, Door Glass, Seals & Weather Strips
- 11.02 Door Window Lift Mechanism

## **12.00 Exterior Fittings**

---

- 12.01 Wheelarch Liners
- 12.02 Soft Top Roof, Cant Rails, Roof Bows
- 12.03 Grilles and Louvres
- 12.04 Roof Panel, Seals & Fixings
- 12.05 Decals, Badges & Protective Film
- 12.07 Licence Plate Mountings
- 12.09 Exterior Driving Mirrors

## **13.00 Seats & Seat Belts**

---

- 13.01 Seat Runners
- 13.02 Seat Assemblies, front
- 13.27 Seat Belts, front

## **14.00 Pedal Box & Fascia**

---

- 14.01 Pedal Box, Pedals, Throttle Control
- 14.03 Footrests
- 14.05 Fascia Structure & Supporting Hardware
- 14.10 Instrument Cowling/Binnacle

## **15.00 Interior Trim**

---

- 15.05 Interior Driving Mirror & Sunvisors
- 15.11 Interior Trim & Stowage Provision
- 15.13 Front Door Trims
- 15.18 Interior Trim, Chassis Trim Panels
- 15.19 Centre Tunnel Trim, Gear Lever Gaiters/Shrouds
- 15.20 Centre Tunnel Trim, Gear Lever Gaiters/Shrouds, Auto
- 15.24 Luggage Compartment Carpet
- 15.30 Carpeting & Mats

## **16.00 Sound Insulation**

---

- 16.01 Passenger Compartment Sound Insulation

## **17.00 Electrical**

---

- 17.01 Harnesses, Leads
- 17.03 Horn, Inertia Switch, Modules, Fuses & Relays
- 17.04 Paddle Shift Controls & Switches
- 17.05 Interior Switches, Auxiliary Power Socket
- 17.06 Engine Management & Sensors
- 17.07 Instruments, Tell Tales, & Displays
- 17.09 Transmission Management & Sensors
- 17.11 Exterior Lamps, Except Headlamps
- 17.13 Headlamps
- 17.17 Interior Lamps
- 17.21 Windscreen Wiper Motor, Wipers & Washers



- 17.27 In Car Entertainment
- 17.31 Battery, Clamps & Cables
- 17.32 Lithium Battery, Clamps & Cables
- 17.33b Security Alarm System, PFK, Parking Sensors & Camera
- 17.33c Security Alarm System, Gemini, Parking Sensors & Camer
- 17.35 Other Electrical, SIR: Inflator Modules, DERM & Sensors

---

### **18.00 Heating, Ventilation, Air Conditioning**

---

- 18.01 Heater/ Air Conditioning Assemblies, Housings
- 18.03 AC Components, Pipes, Hoses
- 18.04 AC Components, Pipes, Hoses
- 18.05 Heater, Pipes, Hoses
- 18.07a AC Interior Blower Motor
- 18.09a AC/Heater Driver Operated Controls
- 18.12 AC/Heater Air Distribution Plenum
- 18.13 Air Trunking, Ducts & Ventilators
- 18.14 AC Air Recirculation System
- 18.15 Auxillary AC Unit

---

### **19.00 Labels & Literature**

---

- 19.01 Labels,Certificates, Literature etc.
- 19.03 Owner's Handbooks & Service Notes Manuals

---

### **30.00 Chassis**

---

- 30.01 Chassis, Subframes
- 30.02 Seat Belt Mounting Frames, Stays

---

### **31.00 Suspension**

---

- 31.01 Front Suspension, Incl. Hubs
- 31.03 Rear Suspension, Incl. Hubs

---

### **32.00 Steering**

---

- 32.01 Rack & Pinion, & Lower Column
- 32.05 Upper Column, Steering Wheel

---

### **33.00 Brakes**

---

- 33.01 Brake Discs, Calipers, & Parking Brake Assembly
- 33.03 Master Cylinder, Servo, ABS Controller, Pipes & Hoses
- 33.05 Parking Brake Mechanism

---

### **34.00 Wheels & Tyres**

---

- 34.01 Wheels, Tyres & Valves

---

### **40.00 Engine**

---

- 40.00 Engine Assemblies
- 40.01 Engine Block & Oil Pick Up
- 40.01a Engine Mounts
- 40.02 Gaskets & Sealants, Top Overhaul Set
- 40.02a Gaskets & Sealants, Bottom Overhaul Set
- 40.03 Sump Assembly
- 40.05 Cylinder Head , Valves, Springs
- 40.07 Camshafts, Tappets, Cam Cover
- 40.08 Camshaft Drive Chain & Sprockets
- 40.09 Pistons, Con-rods, Liners
- 40.11 Crankshaft, Bearings, Flywheel
- 40.13 Water Pump Assembly, Thermostat
- 40.15 Lubrication System
- 40.17 Ignition System, Spark plugs & Plug Top Coils
- 40.19 Alternator and Starter Motor
- 40.21 Exhaust Manifold
- 40.23 AC Compressor

---

### **41.00 Belts and Pulleys**

---

- 41.03 Auxiliary Drive Belts & Pulleys



---

**42.00 Induction Systems**

---

- 42.01 Airboxes, Trunking & Air Filters
- 42.04 Throttle Body, Mechanism & IAC Valve
- 42.05 Fuel Injection System
- 42.09 Supercharger

---

**43.00 Emission Equipment**

---

- 43.03 Vacuum System, Hoses, Pipes & Fittings

---

**44.00 Fuel System**

---

- 44.01 Fuel Tanks, Filler
- 44.03 Fuel Pump; Filter, Pipes
- 44.05 Charcoal Canister & Evaporative Loss System.

---

**45.00 Exhaust**

---

- 45.01 Exhaust System
- 45.05 Heatshields

---

**46.00 Cooling**

---

- 46.01 Engine Cooling System & Fan
- 46.02 Engine Cooling System
- 46.04 Front Ducts
- 46.07 Single Oil Cooler System Engine
- 46.08 Single Oil Cooler System Auto Transmission
- 46.09 Oil Cooler System Manual Transmission

---

**47.00 Transmission**

---

- 47.01 Clutch & Release Mechanism
- 47.02 Automatic Transmission
- 47.03 Transmission Assembly
- 47.04 Gearchange Mechanism, Auto
- 47.05 Gearchange Mechanism, External

- 47.05b Gearchange Mechanism, External, Exposed Gearshift
- 47.06 Gear Selector Mechanism, Internal
- 47.07 Gears, Shafts & Bearings
- 47.08 Torque Converter
- 47.11 Final Drive & Bearings
- 47.15 Driveshafts & Seals

---

**60.00 Special tools**

---

- 60.01 Tool Kit
- 60.01a Diagnostic Equipment
- 60.02 Special Tools
- 60.03 Fire Extinguisher, Gulf States

---

**80.00 Bulk Items**

---

- 80.20a Touch-in Paint Pencil Range

---

**90.00 Special Editions**

---

- 99.03 LF1
-



## FOREWORD

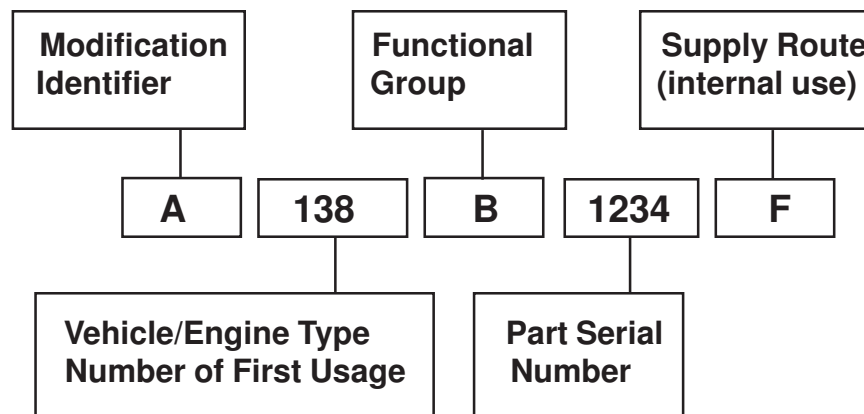
This publication has been designed for use by Lotus Dealers, and may be updated periodically by the issuing of update packages to the dealer network. Lotus policy is one of continuous product improvement and the right is reserved to alter specifications at any time without prior notice. Whilst every care has been taken to ensure correctness of information, it is impossible to guarantee complete freedom from omissions and errors, or to accept liability arising from such errors or omissions, but nothing herein contained shall affect your statutory rights.

## USE OF THE PARTS LIST

This parts list covers the Exige S range, 2012 model year onwards. The manual is arranged in function groups, as defined by the Contents page, and may sometimes use several versions of the same function group to accommodate model variations - take care to establish the full vehicle specification in order to properly identify the applicable parts list section.

## PART NUMBERS

Part numbers used in this publication are in the format as follows:



**Modification Identifier:** This letter identifies a version or modification of the part. Part numbers with different prefix letters may or may not be interchangeable - refer to the remarks and option columns.

**Vehicle/Engine Type Number:** The type number indicates either the model or engine type on which the part was first used.

026, 036, 045, 500....Elan	082....Esprit Turbo	111....Elise	122....Exige 2	131....Elise S (1ZZ)	907....4 cyl. 2.0 NA
050....Elan+2	083....Elite S2	340....340R	123....Exige USA	132....Evora	910....4 cyl. 2.2 turbo
046, 054, 065, 074....Europa	084....Eclat S2	117....Elise 2 (Rover)	124....Europa 2006	138....Exige V6	912....4 cyl. 2.2 NA
075....Elite S1	085....Esprit S3	117....Elise 2001 MY	127....2-Eleven	702....Exige V6 Cup	920....4 cyl. 2.0 turbo
076....Eclat S1	089....Excel	120....Elise111R	128....Exige S (euro)	704....Elise Cup	918....V8 3.5 turbo
079....Esprit S1/S2/S2.2	100....Elan 1990	121....Elise USA	129....Exige S (fed)	708....3 Eleven	

**Functional Group:** A single letter indicating the functional area of the parts first use

A = Chassis

B = Body

C = Front Suspension

D = Rear Suspension

E = Engine

F = Transmission

G = Wheels & Tyres

H = Steering

J = Brakes

K = Cooling

L = Fuel System

M = Electrics

P = Heater & AC

Q = Clutch

R = Final Drive

S = Exhaust

U = Hard Trim

V = Soft Trim

W = Standard Fixings

*Updated 3rd May 2016*

## VEHICLE IDENTIFICATION NUMBER & ENGINE NUMBER

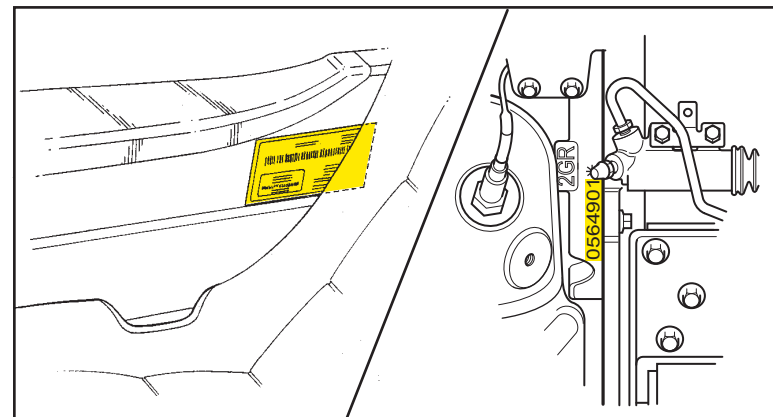
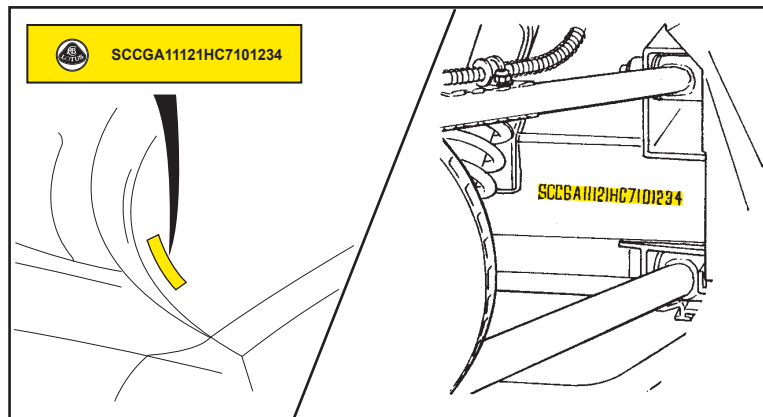
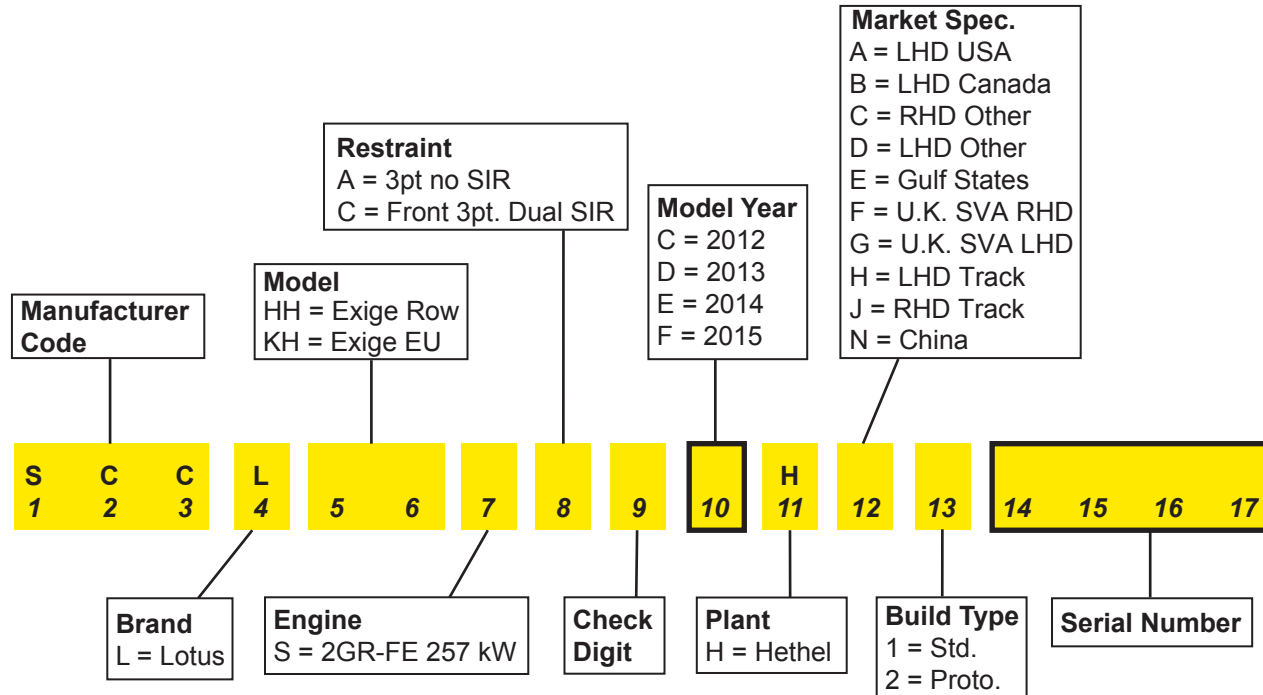
The Vehicle Identification Number (V.I.N.) is located on the left hand side of the windscreen and stamped on the chassis in the right hand front wheelarch area, viewable with the front wheels turned to full right lock, and is also printed on a label stuck to the chassis sideframe alongside the driver's seat..

The engine number is marked on a vertical patch at the right hand side of the rear face of the cylinder block, adjacent to the clutch housing.

Both numbers should always be quoted with any vehicle enquiries, as Factory records are filed against V.I.N., and specification change points are identified by V.I.N. or engine number. The vehicle licence number should be considered irrelevant, since it may not accurately reflect the vehicle age, and may also be changed during the car's life.

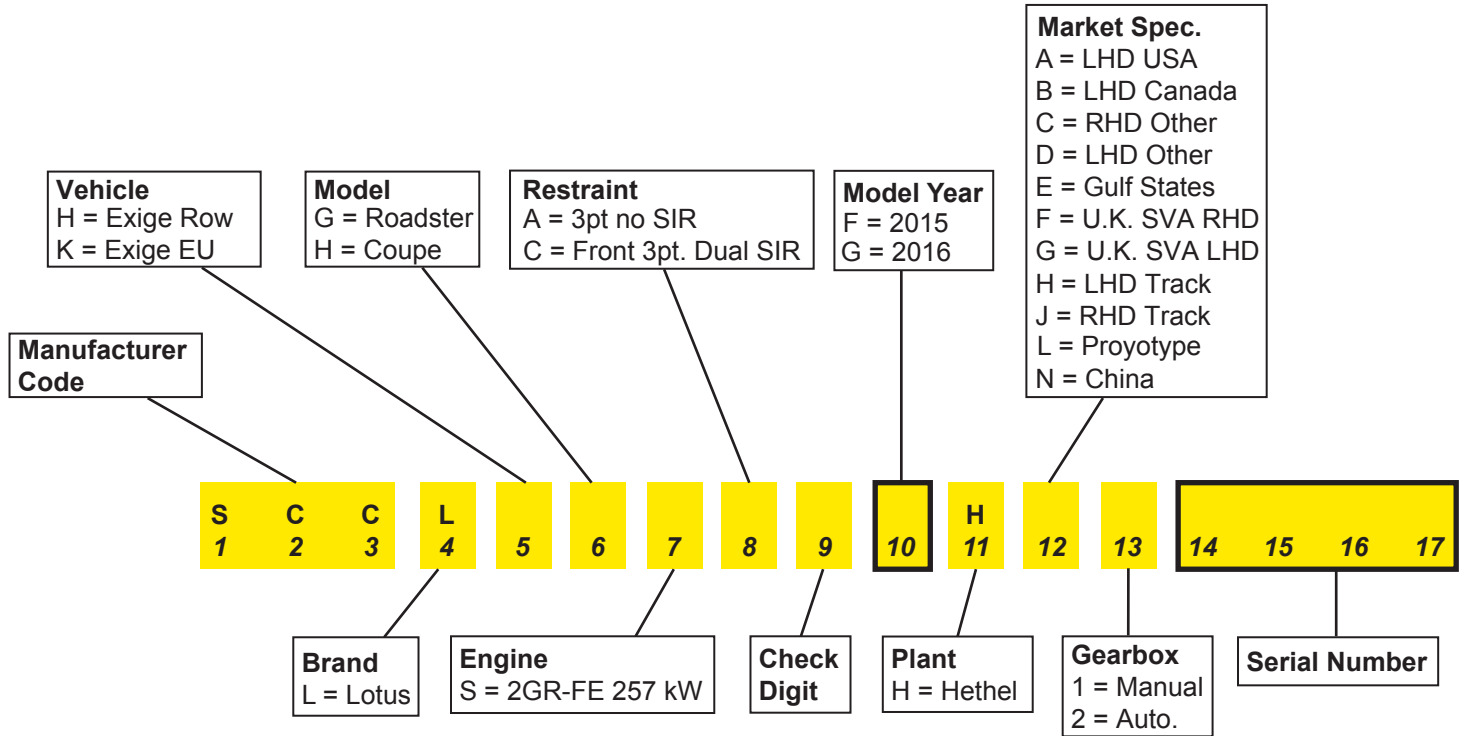
The V.I.N. comprises 17 characters, coded in accordance with European Economic Community (EEC) directives. For change point identification in Service Notes and Service Parts Lists, characters 10 (model year) and 15 - 17, or 14 - 17 (serial number) will be quoted

### Up to 2015 M.Y.



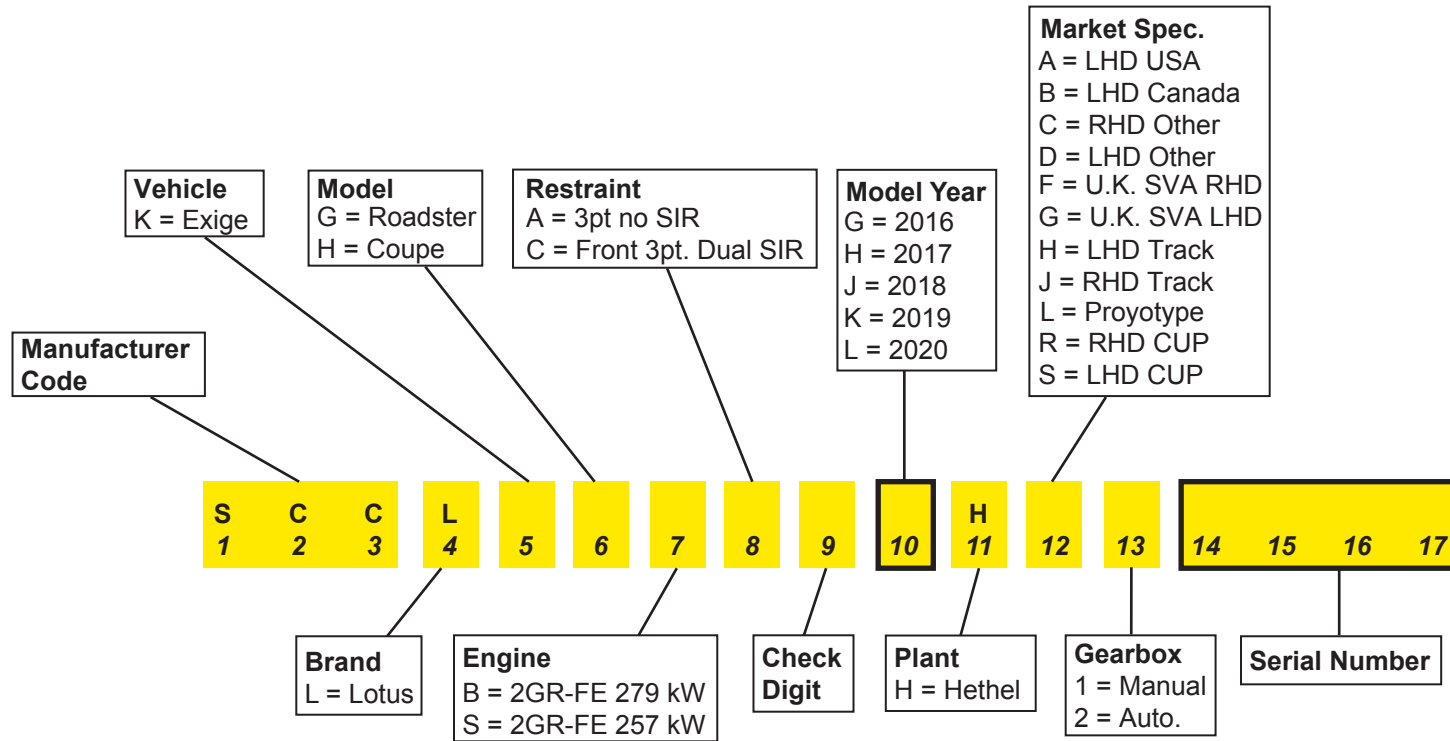
Updated 2nd May 2017

2015 M.Y. to 2016 M.Y.



*Updated 2nd May 2017*

2016 M.Y. onwards



*Updated 2nd May 2017*

## **MODEL HISTORY MILESTONES**

### **Exige S Introduction:**

First deliveries commence November 2012 at '12 VIN serial number CHD10491. See Technical Service Bulletin 2012/12 for full details.

### **Lotus Racing Exige Cup: January 2013**

First VIN DH\_10447 Onwards. VIN characters: Same as 'S' production models. Officially debuted at Autosport 2013 International Racing Car Show, designed to compete in the Lotus Cup series,

Differences compared to standard Exige include: A Lotus Racing build plate mounted on the passenger's side inner sill to confirm the vehicle final assembly was completed at the Lotus Racing headquarters.

Engine fitted of an internally baffled sump assembly and modified engine breather system to accommodate an external oil catch tank. Increase in the power to weight ratio achieved by the reduction in the vehicles unladen weight by removal of NVH trims, radio, speakers, alarm and SRS system.

Onboard fire extinguisher and battery isolator system fitted as standard. Non-airbag steering wheel and 3 point non-pyrotechnic seat belts fitted as standard removable steering wheel and 4 point harness supplied as dealer fit. 'T45' seat belt anchorage frame with 'A' frame kit is fitted as standard.

Suspension: 2-way adjustable Nitron spring damper assemblies with separate reservoirs are fitted all round.

Wheels & Tyres: Production cast black five Y-spoke wheel rims fitted with the standard Pirelli P Corsa road tyres.

Rear towing strap fitted and the front grille modified to allow fitment over the front towing eye to comply with track day and race regulations.

Body: N/S rear clamshell modified to accept fitment of flange bezels for the external battery isolator and on-board fire extinguisher switches.

Decals & badges: 'LOTUS' lettering in Cool Grey pantone colouring on the upper surface of rear wing and Union Jack decals fitted to the end caps. 'V6 Cup' logo on both sill panels below the doors and OSR transom panel and an 'Exige' badge also in Cool Grey fitted to NSR transom panel.

Paint: Front clamshell below LH/RH intake grilles, front access cover, rear transom panel, tailgate, hardtop, rear wing, end caps and uprights are finished in 'soft feel' water borne matt black finish paint. Door mirror end caps are finished in silver.

Interior: Driver's and passenger's seat are carbon fibre HANS compliant race seats 'V6 Cup' embroidery to the seat back. Door panels, dash panel and centre console are also re-trimmed. Please refer to TSB 2013/16 for further information.

### **2013MY Exige S Roadster: September 2013**

First Production '13MY VIN serial number DHC10852.

Body: As per the Exige S except for the standard factory fitment of the Elise style fabric soft top roof and deletion of the front splitter and rear aerofoil. The side air intake panels and door mirror plinths are finished in the same colour as the body on the Exige S Roadster (compared to black finish on the Exige S).

Engine: Uses the same 2GR-FE V6 powertrain carried over from the Exige S but the top speed is electronically limited to 145 mph / 233 km/h by the ECM (Electronic Control Module) restricting the throttle from opening when top road speed is being approached. Suspension: Rear Anti-roll bar diameter increased to 19.5mm to increase stiffness, all other components are carried over from Exige S but the reduced down force generated by the body panels (due to removal of the front splitter and rear aerofoil) requires minor revisions to the front and rear camber angles to re-align front and rear axle responses to ensure the ride and handling performance is comparable to the Exige S.

Wheels: A silver version of the Exige S cast gloss black wheels fitted as standard with the optional diamond cut finished wheels offered as an optional extra.

Brakes: Carried over from the Exige S but with the addition of silver callipers which are exclusive to the Roadster.

Interior trim: Carried over from the Exige S, but features quilted trim finishing's to the seats and door insert panels on both the Premium and Premium Sports Pack interior trim options. See Technical Service Bulletin 2013/13 for full details.

### **Exige LF1: June 2014**

Limited edition 81 vehicles produced

RHD model debuted in June 2014 at the Canary Wharf Motorexpo and Goodwood Festival of Speed in London and LHD simultaneously at the Le Mans 24 hours event.

Based on the black and gold livery of the 1970s and 1980s Lotus Formula 1 cars, each limited edition car is numbered with a limited edition carbon fibre build plate and will sequentially celebrate a specific Grand Prix from car #1 commemorating Lotus' first GP victory at Monaco in 1960 to car #81 marking Kimi Raikkonen's win in Australia in 2013.

## **MODEL HISTORY MILESTONES**

Body: Motorsport Black met. C152, Total Red C154 and Mars Gold C164, exterior badges incorporating 'LF1' logo, black and gold 'Lotus' nose badge and wheel centres.

Interior trim: Leather and technical fabric featuring black and gold design with gold contrast piping and stitching details  
Embroidered 'LF1' logos on headrests and floor mats and 'Lotus F1®Team' logo on seat backs.

Bespoke carbon fibre engine plate fitted to supercharger, 'Race' Pack, two-piece brake discs, red brake callipers, matt gold 5-spoke 17"/18" cast alloy wheels, Pirelli P-Zero Trofeo tyres and air conditioning fitted as standard.

Exige LF1 owners receive the Formula 1® package within the purchase price of the car which comprises a factory tour of the Lotus Cars production facility at Hethel and the Lotus F1® Team headquarters at Enstone. Also included is an Exige LF1 Membership card entitling members to 20% discount on Lotus Originals and Heritage ranges and 10% off Lotus F1® Team Replica collection, a Romain Grosjean 1:2 scale replica helmet, Lotus F1® car key fob and USB stick.

Unique part numbers for the Exige LF1 can be found within this Service Parts List under function group 90.00 - Special Editions.

### **2015MY Exige S Automatic. January 2015**

From VIN FHC20502 Onwards

*VIN character 6 body type: G = Roadster H = Coupe*

*VIN character 13 transmission type: 1 = Manual 2 = Automatic*

Engine: Carried over from Exige S Coupe and Roadster,

Rear silencer: Revised for automatic models, visually identical to manual silencer except the length of the perforated outlet pipe within the assembly is altered to avoid an audible 'booming' noise that would be generated at higher road speeds if fitted with the manual silencer due to the revised gearing to engine rpm/road speed characteristics of the automatic transmission system.

Transmission: The Exige S automatic utilises the same Toyota 6 speed U660E automatic transmission assembly and 'Shift by wire' system to control a PRND gear selector actuator module mounted to the top of the transmission as currently used on Evora automatic models.

Driveshafts: LH and RH driveshafts have been altered to compensate for the increased size of the automatic transmission casing.

Transmission cooling: The auxiliary engine coolant radiator/fan assembly mounted ahead of LH front wheel arch is deleted on automatic models and is replaced with a transmission fluid cooler radiator. Both the transmission fluid feed and return hoses/pipes are routed along the LH bodyside of the vehicle. A thermostat assembly is fitted in-line within the transmission to cooler fluid feed circuit and is positioned in the LH bodyside wheelarch panel.

Body & Paint: Carried over from existing production range, but no new options have been introduced for the launch of the automatic models.

Engine coolant cooling: A revised coolant pack assembly incorporating a more efficient radiator is fitted to compensate for the deletion of the auxiliary engine coolant cooler. The coolant fans that are now mounted above the radiator.

Engine oil cooling: RH front mounted air to oil cooler carried over from previous models.

Suspension, wheels and brakes: Carried over from the Exige S Coupe and Automatic models except for the Trofeo tyre originally fitted as part of the 'Race Pack' option is no longer available as a production order option but can still be purchased as an aftermarket accessory through the Lotus Cars Aftersales department.

Interior trim: Carried over from the Exige S except for centre console assembly which is redesigned to accommodate the gear selector switch.

Electrical: Heated seat switches moved to centre console which also incorporates a redesigned heater rear window switch.

*Lotus DPM switch:* The 'latched' type DPM switch is replaced by a 'momentary' type switch with '+' and '-' symbols replacing the 'Tour' 'Sport' 'Race' and 'DPM Off' graphics displayed on the 'latched' switch.

*Fuse boxes:* Fuse and relay configuration on both the front services compartment and rear luggage compartment area are unchanged but the fuse/relay layout and allocation within the fuseboxes are revised to accommodate the automatic transmission control modules.

Please refer to TSB 2015/01 for further information.

### **Exige S Club Racer: March 2015**

First VIN FHC11249. Available only as a Coupe with manual or automatic transmission with a weight reduction of 15 kg compared to the Exige S

Deletion of carpets and NVH material.

## **MODEL HISTORY MILESTONES**

Centre console in body colour, sports seats in leather or Alcantara with colour coded stitching and body colour harness hoops, Available in Metallic White (C184), Exige Orange (C182), Metallic Yellow (C187) or Matt Black (B141) with all models having the front splitter, rear wing, front access panel, roof panel, wing mirrors and rear transom in Matt Black.

Satin Black wheels. lightweight battery (not available from Lotus), CR logo on the radio blanking cover, seats and rear side repeater indicators. Sport interior and Race pack are standard. Option pack consisting of an Alpine radio, USB charging port and NVH pack is available.

### **Exige 360 Cup: August 2015**

Replaces the Exige V6 Cup early models based on Exige S later models Exige 350 and limited to 50 units all come with a numbered Lotus Motorsport build plate. Choice of 4 colours Metallic White, Metallic Grey, Metallic Black and Metallic Silver all with the rear wing, roof panel and rear transom in Matt Black along with a new matt black louvered front access panel and louvered tailgate panel. Motorsport Red alloy wheels and highlights on the front splitter, front access panel, side air intakes, rear wing supports and diffuser. Increased power of 10 PS by fitting a High Flow Air Filter and Lotus Sport exhaust (dealer fit, post registration where market legislation allows). 2-way adjustable suspension, two-piece grooved brake discs and 4-mode DPM as standard, with a variety of options available.

### **Exige Sport 350: February 2016**

From '16MY VIN GHC10579 Onwards

Replaces the Exige S and is available as a Coupe or Roadster with manual or automatic transmission. Weight reduction of 51 kg compared to the previous Exige S

A new louvered tailgate panel replaces the glass screen. 'Black Pack' is fitted as standard which includes a matt black finish to the front splitter, louvered tailgate panel, rear aerofoil wing & end caps, front access panel, roof panel, rear transom panel & diffuser and the door mirror covers & plinths, although there is the option for these to be body colour.

Other changes include; Gemini 7590 alarm system. Revised suspension geometry with race spec springs & dampers. Revised switchgear for the DPM, lights and starter switches. Air conditioning pipes and hoses are replaced with 'PAD' type adaptor ends. Optimised use of sound insulation. Centre console with exposed gear shift mechanism which has also been revised. Coolant pack assembly carried over from Exige S automatic transmission models. Revised trim includes the new Heritage Tartan design in Red or Yellow with leather or Alcantara trim finishes also available.

Damping mats are fitted to the foot wells as standard, full carpets and sound insulation available if ordered as part of the radio & NVH option package.

Satin Black ten spoke forged wheels available as an option

Refer to Technical Service Bulletin TSB 2016/08 for further information

### **Lotus Exige 350 50th Special Edition: October 2016**

Commemorating 50 years of the Hethel factory. 50 cars in Essex Blue, Old English White, Dark Metallic Grey and Motorsport Black, all with racing stripes. The front splitter, rear wing, front access panel, roof panel, door mirrors and rear transom are finished in matt black. Black or silver forged alloy wheels, red brake calipers, floor mats and cruise control are standard. Revised front access panel, manual transmission with weight saving from the lithium battery, carbon seats and two piece brake discs. Options NVH carpet and ICE.

### **Exige Sport 380: April 2017**

From '17MY From VIN HHC10503

From VIN FHC20502 Onwards

*VIN character 7 Engine: B = 2GR-FE Supercharged (279.5kW)*

A new derivative to the current Exige Sport 350 model range. The power to weight ratio is increased to 338hp/tonne (342 PS/1000kg) using the base Exige Sport 350 engine.

Engine: Carried over from Exige Sport 350 but with increased supercharger performance and revised engine management program.

Exterior: Optional fitment of Carbon Aero Pack consisting of carbon fibre replacements for composite tailgate and roof. Optional fitment of titanium exhaust silencer. Standard fitment of revised carbon fibre front access panel, front splitter, rear wing side floor extensions, twin pairs of front canard wings and rear diffuser surround. Revised composite rear transom and rear light configuration.

Colour: A Black Pack is fitted as standard, which includes a matt black finish to the rear transom panel, door mirror covers & plinths, rear clamshell side air intake pods, canard wings, wing uprights and rear bumper fins. Also available is an Exterior Colour Pack option pack including red colour finished brake callipers, mirror caps, rear wing uprights. Also included with the Exterior Colour Pack option are red highlights on the front splitter, front access panel, side extensions (barge boards), rear bumper fins and rear diffuser finisher.

Interior: An Interior Colour Pack is available with either full colour or partial colour highlights to the HVAC (Heating Ventilation Air Conditioning) surround, gear lever surround, seat bezels, seat back hoop trims and window switches. Fitment of carbon fibre race style seats, optional revised interior sill panels, produced in carbon fibre.



## **MODEL HISTORY MILESTONES**

Electrical: TPMS (Tyre Pressure Monitoring System) is fitted as standard for all markets. New fuel pump (modified version of the Bosch fuel pump fitted on the Evora 400), fuel pump drive controller module and revised rear light configuration (the inboard LH & RH rear lamp clusters are replaced by single operation reverse and rear LED's. The same SB12V25P-SC lightweight lithium battery as fitted on the Evora Sport 410 is also the standard fitment on the Exige Sport 380.

Wheels: Lightweight satin black forged alloy wheels (7J x16" front and 8J x 17" rear) are fitted as standard with silver forged alloy wheels available as an option. The 434MHz or 315MHz TPMS transmitter/valve assemblies (as required by market) currently fitted to the Evora 400 wheels are carried over to the Exige Sport 380 wheels.

Tyres: Michelin® Pilot® Sport Cup 2 tyres are fitted  
Brakes: AP Racing 2-piece grooved brake disc assemblies and yellow coloured brake calipers are fitted as standard.

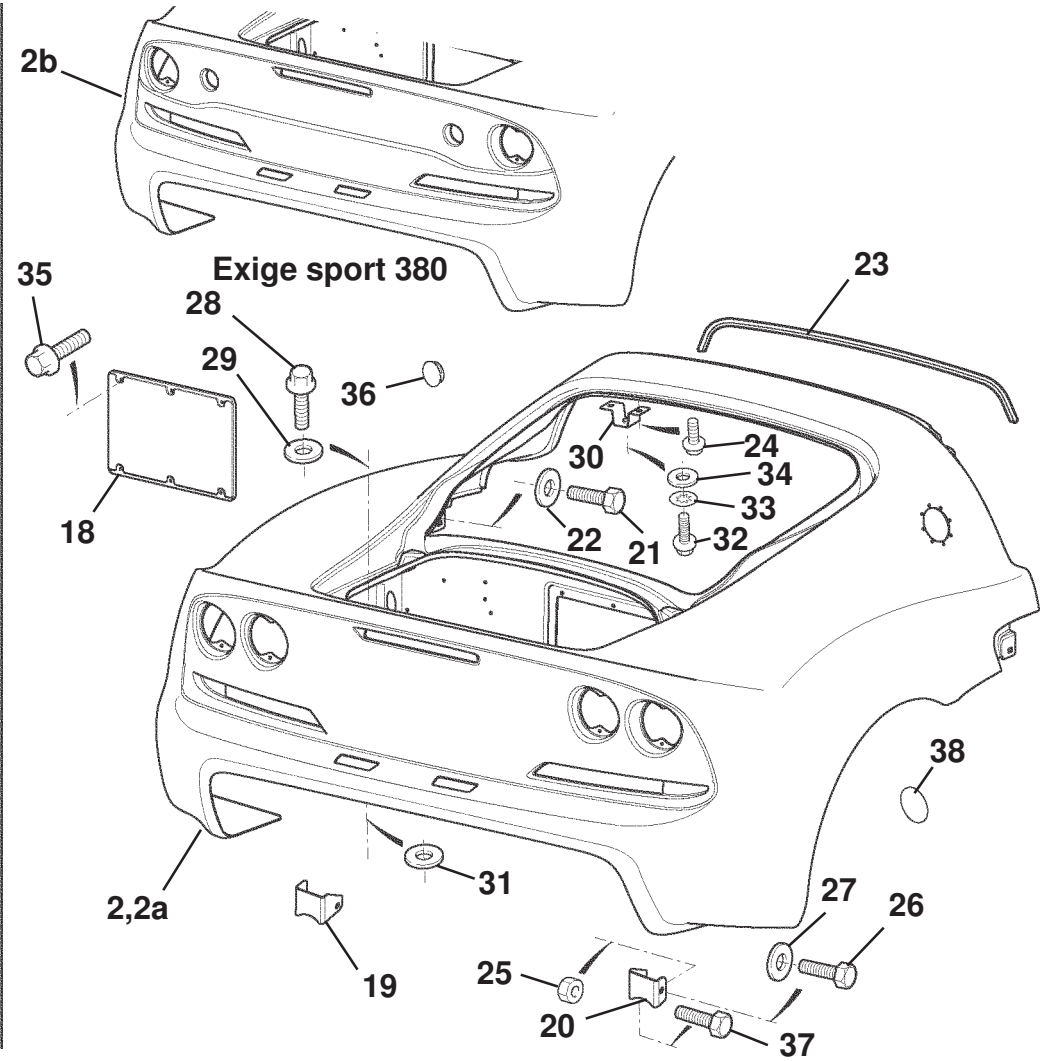
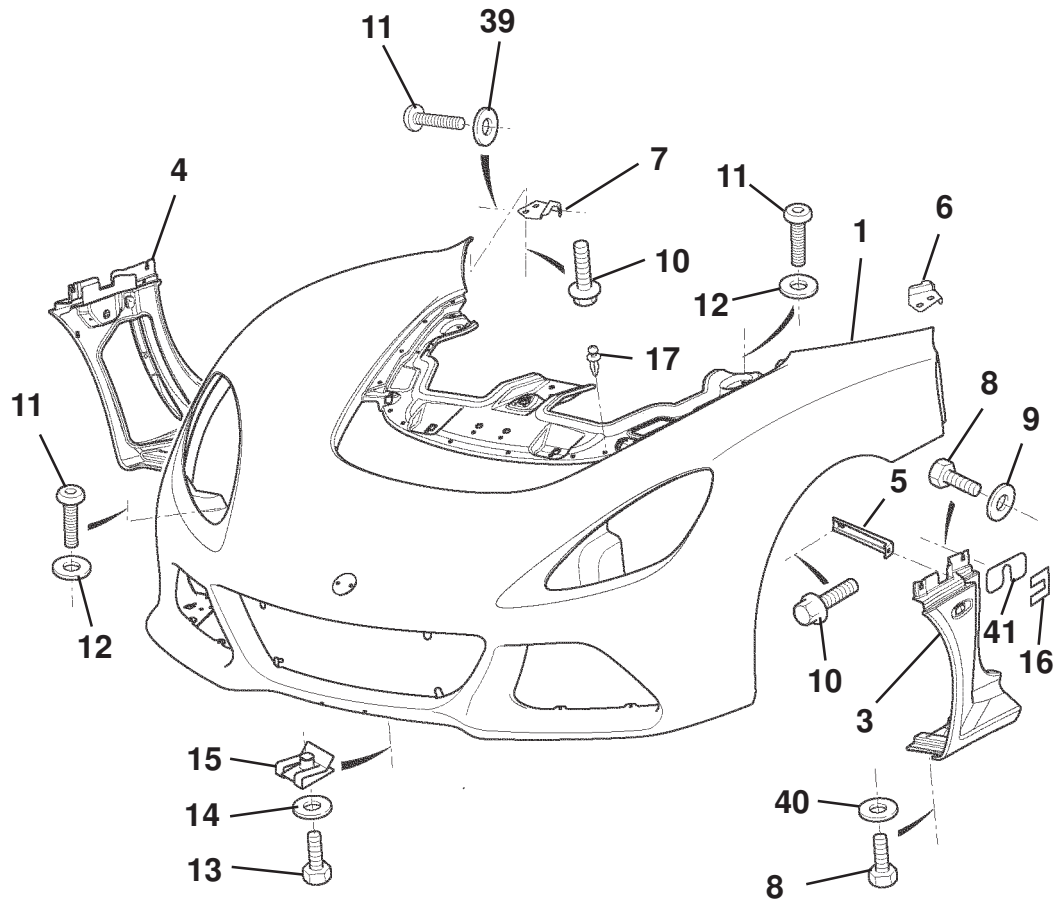
Suspension: The Race specification springs and dampers are carried over from the Exige Sport 350, with a Track Pack (Nitron springs with two-way adjustable dampers, Eibach front and rear adjustable anti-roll bars) available as an optional fit.

Manual Transmission Oil Cooling: The manual transmission oil cooling system as fitted to the Evora Sport 410 and Lotus 3-Eleven is carried over to all manual 380 models.

Exhaust: The 3-inch rear silencer and engine protection valve assembly fitted to the Evora 400 is carried over to the Exige Sport 380, (with a full titanium version also available).

Fuel System: The 48 litre fuel tank, pump, fuel line and breather system fitted to the Elise Cup 250 is carried over to the Exige Sport 380. Refer to Technical Service Bulletin TSB 2017/03 for further information.





**EXIGE**

10.01

Updated 3rd January 2017

# Service Parts List

# EXIGE



## Function Code 10.01 Body: Front & Rear Clamshells & Fixings

<u>Dep</u>	<u>Part Description</u>	<u>Remarks</u>	<u>Option</u>	<u>Part Number</u>	<u>Qty</u>
01	Front Clamshell Assembly Primed			A138B0100K	1
02	Rear Clamshell Assembly Primed			A138B0127K	1
02a	Rear Clamshell Assembly Primed	Holes for soft top stay	Roadster	A138B0246J	1
02b	Rear Clamshell Assembly Primed	Holes for soft top stay	Exige sport 380	A138B0609J	1
03	'A' Panel Assembly Primed LH			A138B4115K	1
04	'A' Panel Assembly Primed RH			A138B4116K	1
05	Bracket , front clam side			A138B0121F	2
06	Bracket, front clamshell to 'A' post, LH			A120B4079F	1
07	Bracket, front clamshell to 'A' post, RH			A120B4080F	1
08	Screw, M6 x 16, hex. hd., clamshell fixing			A075W1028Z	10
09	Washer, flat, M6 x 20 x 2.5, clamshell fixing			B082W4016F	6
10	Screw, M6 x 20, hex. flg hd., clamshell fixing			A132W5004F	8
11	Screw, M8 x 25, button hd., S/S, clamshell fixing			A111W7175F	6
12	Washer, flat, M8 x 16.5 x 1.6, clamshell fixing			A111W4175F	4
13	Screw M5 x18 skt hd flg			A138W5001F	7
14	Washer Flat 3/16 x 3/4 x 16g s/s			B075W4009Z	7
15	Speed Nut M5			B100W6372F	7
16	Shim, front clamshell alignment, 0.5mm			A116B0460K	As req.

EXIGE

**Function Code 10.01 Body: Front & Rear Clamshells & Fixings**

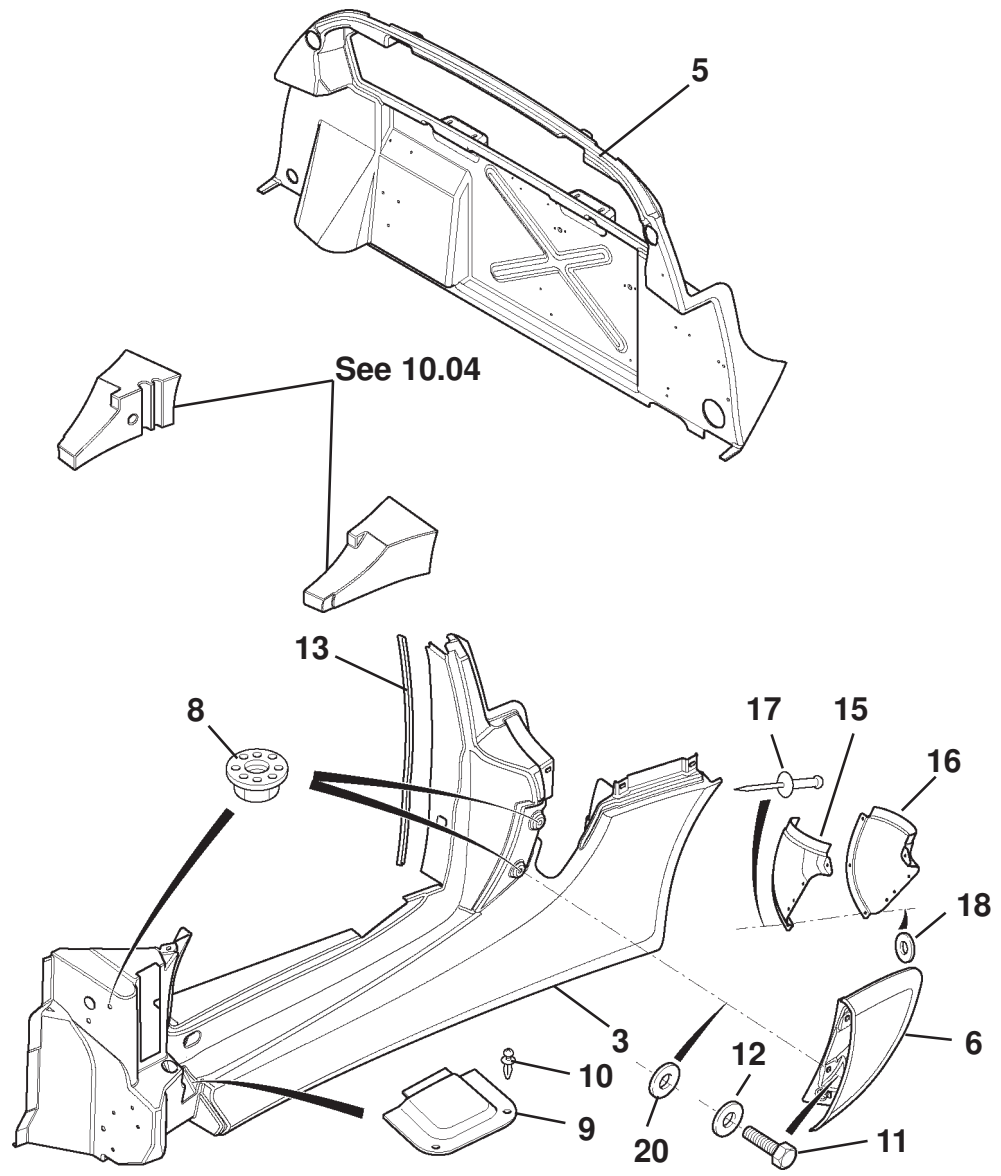
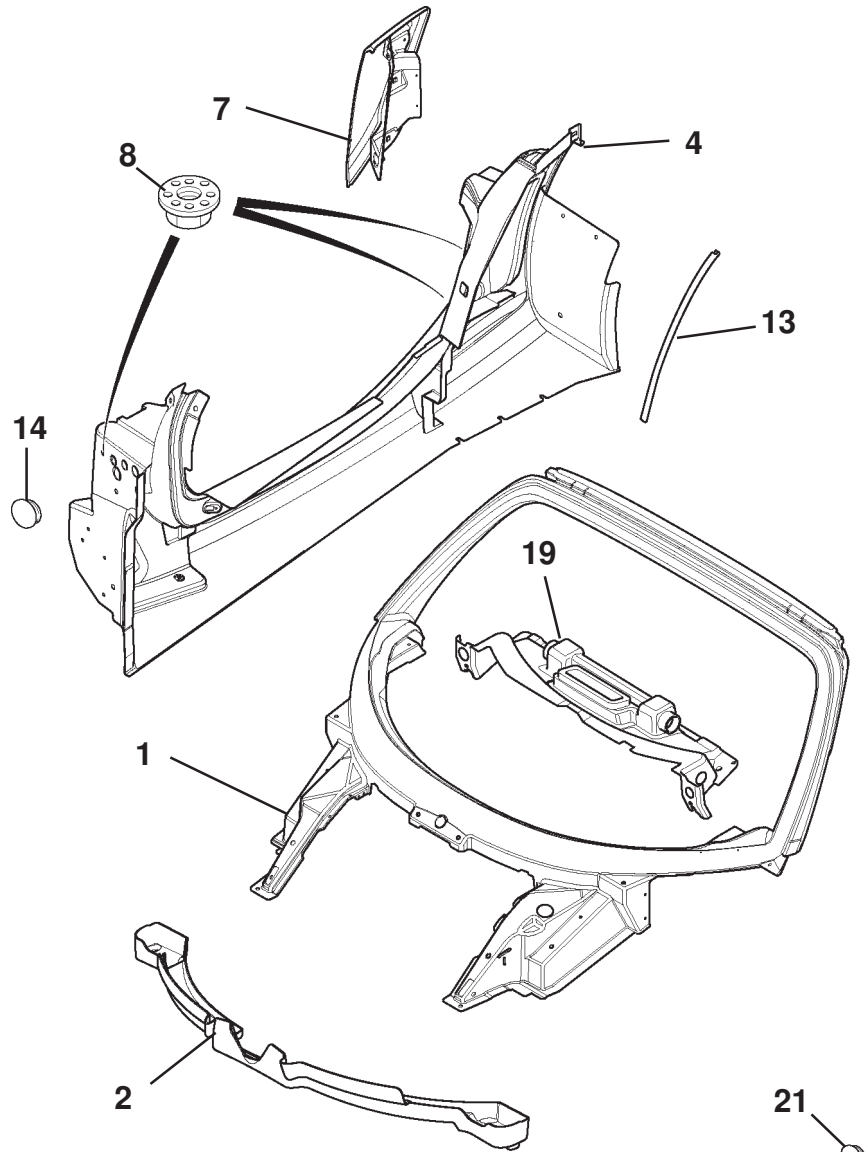
<u>Dep</u>	<u>Part Description</u>	<u>Remarks</u>	<u>Option</u>	<u>Part Number</u>	<u>Qty</u>
16a	Shim, front clamshell alignment, 1.0mm			A116B0461K	As req.
17	Scrivet, panel radiator shroud			A120W6848F	6
18	Boot Access Panel	See 1601 for insulation		A132B0121F	1
19	Bracket Wheelarch LH			A138B4165F	1
20	Bracket Wheelarch RH			A138B4166F	1
21	Screw, M6 x 16, hex. hd., clamshell fixing			A075W1028Z	4
22	Washer, flat, M6 x 18 x 1.0, clamshell fixing			B082W4018F	4
23	Edge Finisher, rear header			A117B6010F	1
24	Screw M5 x 12 flg btn hd, bracket assembly			A111W7183H	4
25	Nut M6, wheel arch bracket			A075W3020Z	2
26	Screw M6 x 10 hex hd, wheel arch bracket			A075W1026Z	2
27	Washer, flat, M6 x 18 x 1.0, wheel arch bracket			B082W4018F	2
28	Bolt M8 x 25 hex flg, bootbox to subframe	1 fixing used for battery tray		A132W5006F	5
29	Washer, flat, M8 x 25 x 1.5, bootbox to subframe	1 fixing used for battery tray		B075W4021Z	5
30	Bracket Assembly, rool hoop LH			A138B4123F	1
30a	Bracket Assembly, rool hoop RH			A138B4124F	1
31	Shim, 9 x 28 x 3, clamshell to subframe			A124B0255F	As req.
31a	Shim, 9 x 28 x 2, clamshell to subframe			A124B0256F	As req.
32	Screw M6 x 25, clamshell to header			A075W1031F	2
33	Washer Shakeproof M6, clamshell to header			A075W4046Z	2
34	Washer, flat, M6 x 20 x 2.5, clamshell to header			A075W4016Z	2



---

**Function Code 10.01 Body: Front & Rear Clamshells & Fixings**

<u>Dep</u>	<u>Part Description</u>	<u>Remarks</u>	<u>Option</u>	<u>Part Number</u>	<u>Qty</u>
35	Screw M6 x 14 flg hd, access panel			A116W5233F	6
36	Grommet Blanking 15.9mm, unused tailgate release cable hole			A138W6011F	1
37	Screw, M6 x 16, hex flg. hd. wheel arch bracket			A132W5003F	2
38	Blanking Patch, 20 mm dia			A111V0206F	4
39	Washer, flat, M8 x 25 x 1.5, clamshell fixing			B075W4021Z	2
40	Washer, flat, M6 x 25 x 1.4, clamshell fixing			B075W4017Z	4
41	Shim, front clamshell alignment, 1.6mm			A116B0985F	4



**EXIGE**  
10.02

*Updated 5th January 2015*

# Service Parts List

# EXIGE



## Function Code 10.02 Body: Bodysides, Windscreen Frame & Rear Bulkhead

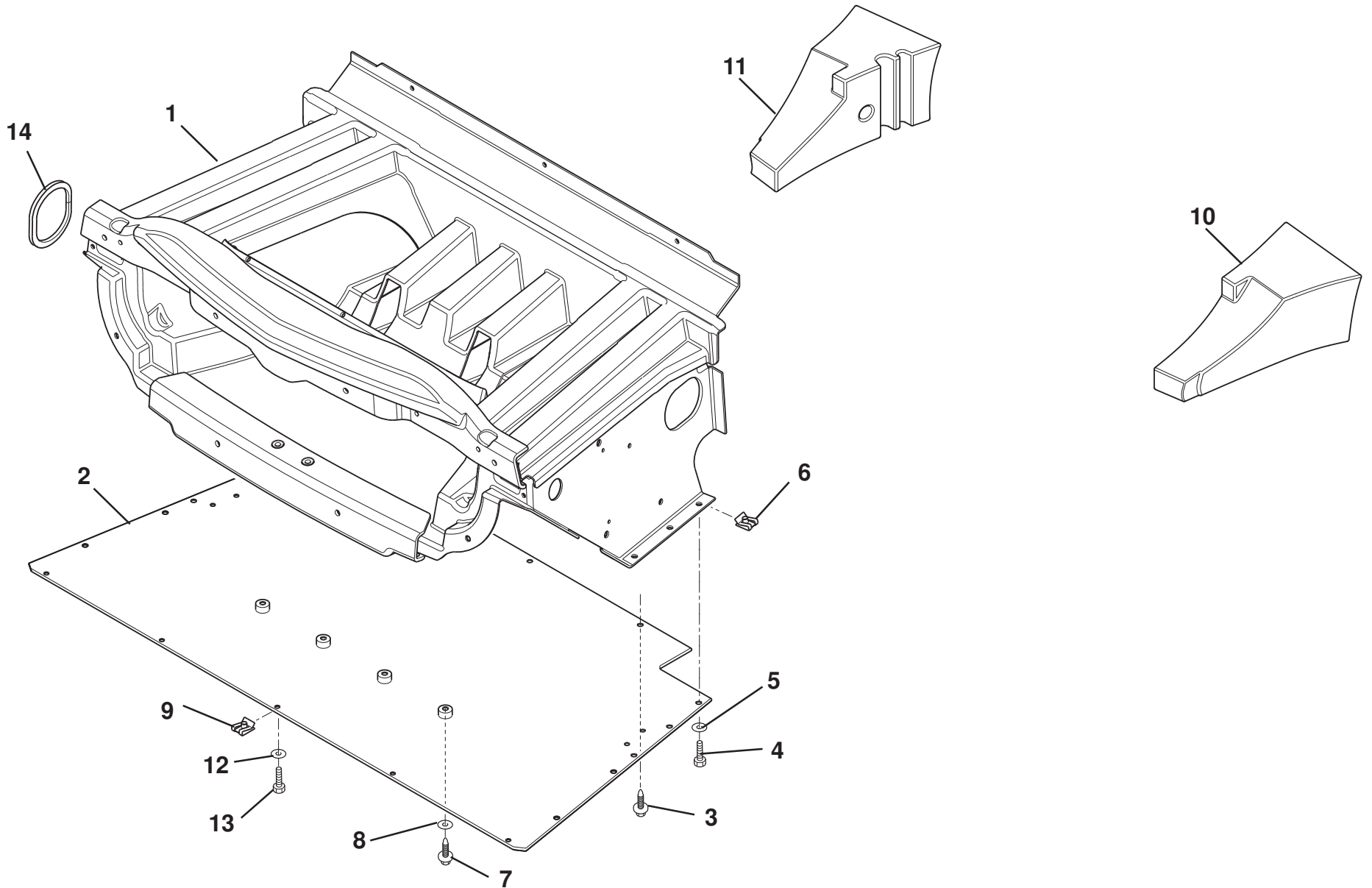
<u>Dep</u>	<u>Part Description</u>	<u>Remarks</u>	<u>Option</u>	<u>Part Number</u>	<u>Qty</u>
01	Windscreen Frame Assembly Painted			A138B0222K	1
02	Gutter Windscreen			B138B0080F	1
03	Bodyside Assembly Primed LH			F138B4105K	1
04	Bodyside Assembly Primed RH	If unavailable order 04a and item A138P0157F	Exige S	C138B4106K	1
04a	Bodyside Assembly Primed RH		Exige Sport 350	G138B4106K	1
04b	Bodyside Assembly Primed RH	If unavailable order 04c and item A138P0157F	Gulf States Exige S	A138B0339K	1
04c	Bodyside Assembly Primed RH		Gulf States Exige Sport 350	B138B0339K	1
05	Panel Rear Bulkhead			B138B0095F	1
05a	Panel Rear Bulkhead	TBC	Gulf States	A138B0335F	1
06	Side Intake Assembly LH			A138B4127K	1
06a	Side Intake Assembly LH	Carbon effect	Exige sport 380	A138B4459F	1
07	Side Intake Assembly RH			A138B4128K	1
07a	Side Intake Assembly RH	Carbon effect	Exige sport 380	A138B4460F	1
08	Bondnut M6			A117B0299F	6
09	Finisher Panel, front sill recess, LH			B117U0169F	1
09a	Finisher Panel, front sill recess, RH			B117U0168F	1
10	Plastic Fastener, panel fix.			A100W6479F	4

EXIGE

**Function Code 10.02 Body: Bodysides, Windscreen Frame & Rear Bulkhead**

<u>Dep</u>	<u>Part Description</u>	<u>Remarks</u>	<u>Option</u>	<u>Part Number</u>	<u>Qty</u>
11	Screw, M6 x 16, hex. flg hd., side intake			A126W1215F	6
12	Washer Flat M6, side intake			A126W4213F	6
13	Edge Finisher, 'B' post			A117U0462F	2
14	Grommet Blanking 35.9mm,			A138W6009F	1
15	Duct Side Pod Inner			B138B0093F	1
16	Duct Side Pod Outer			B138B0094F	1
17	Rivet, 3.2 x 11.5			A082W6512F	7
18	Washer 1/8 x 3/8 x 21g			A075W4001F	7
19	Baffle Panel/FLV Plenum Assembly			A120B0117F	1
19a	Baffle Panel/FLV Plenum Assembly	TBC	Gulf States	A138P0106F	1
20	Washer Anti Loss, M6			A132W4005F	6
21	Grommet Blanking 19mm,	blanks off holes for auto oil cooler on manual cars		A116W6714F	2





**EXIGE**

10.04

*Updated 1st July 2013*



# Service Parts List

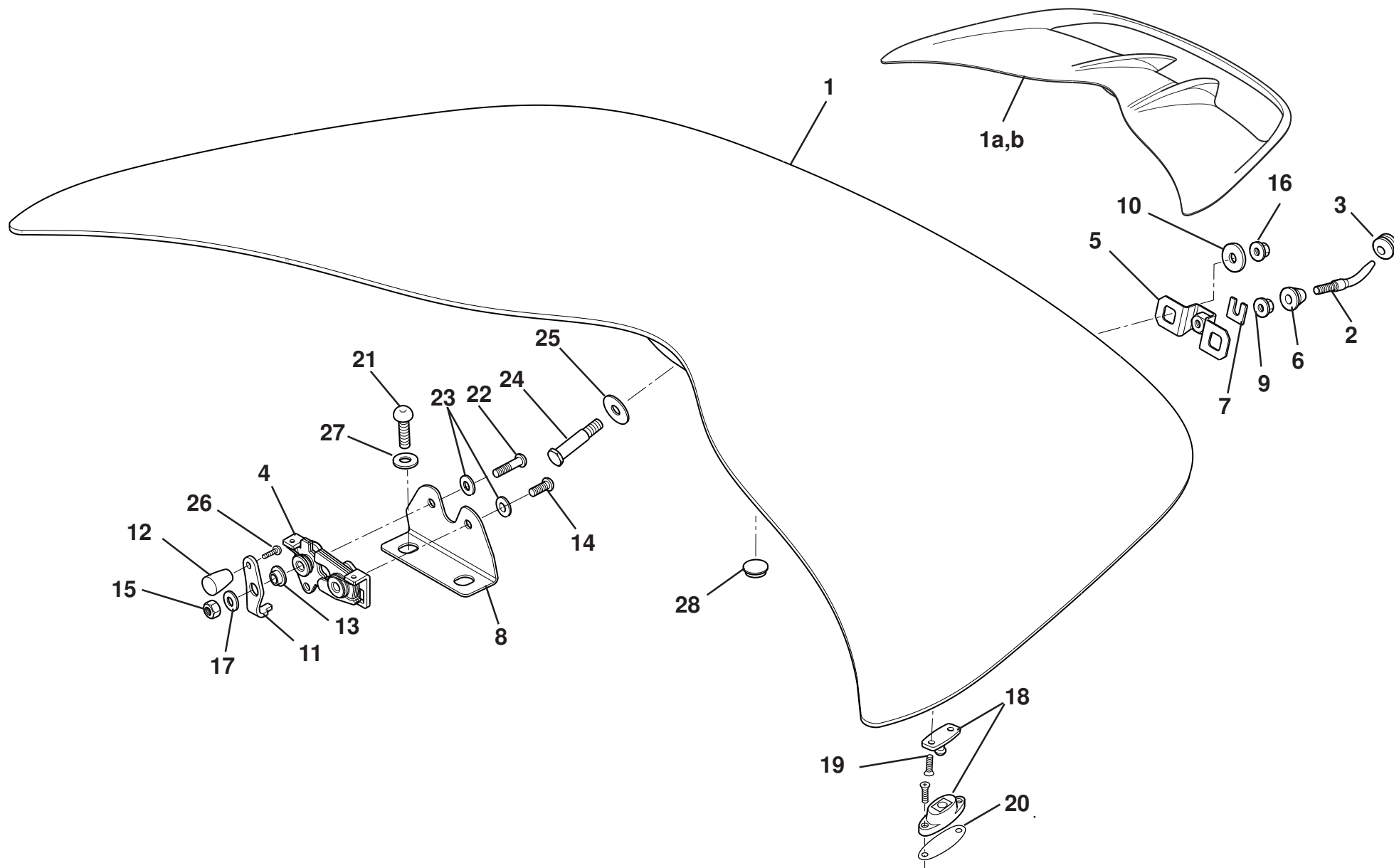
# EXIGE



## Function Code 10.04 Crash Structures

<u>Dep</u>	<u>Part Description</u>	<u>Remarks</u>	<u>Option</u>	<u>Part Number</u>	<u>Qty</u>
01	Front Crash Structure Assembly			B138B0058K	1
01a	Front Crash Structure Assembly	Includes filter housing and duct, To be confirmed	Gulf States	A138A0242F	1
02	Panel Assembly, front undershield			A138B0226F	1
03	Screw M6 x 12 hex flg			A111E6007F	3
04	Screw M5 x 16 hex			A111W1163F	6
05	Washer M5 x 18 x 1.5			B075W4009Z	6
06	Speed Nut M5			B100W6372F	6
07	Setscrew M6 x 25 hex flg hd			A132W5014F	4
08	Washer M6 x 20 x 2.5			A075W4016Z	4
09	Speed Nut M5			B100W6372F	5
10	Side Impact Foam, LH			B138B4063F	1
11	Side Impact Foam, RH			B138B4064F	1
12	Washer Flat 3/16 x 3/4 x 16g s/s			B075W4009Z	5
13	Screw M5 x18 skt hd flg			A138W5001F	5
14	Edge Finisher			A111U6034V	275mm

EXIGE



**EXIGE**

10.09

*Updated 3rd January 2017*

# Service Parts List

# EXIGE



## Function Code 10.09 Front Services Access Panels

<u>Dep</u>	<u>Part Description</u>	<u>Remarks</u>	<u>Option</u>	<u>Part Number</u>	<u>Qty</u>
01	Front Access Cover Primed			B138B0097K	1
01a	Front Access Cover Primed		50th edition	A702B0007F	1
01b	Front Access Cover carbon		Exige sport 380	A138B0590F	1
02	Pin, access cover			A138B0120F	2
03	Grommet			X036B6010F	2
04	Latch, front access cover			A132U6088F	1
05	Bracket Assembly, access pin			B138B0107F	2
06	Grommet			A138W6004F	3
07	Shim			A132U0340F	4
08	Bracket, latch striker			C138B0039F	1
09	Nut M6 hex flg			A117W3180F	2
10	Washer M6 x 20 x 2.5			A075W4016Z	4
11	Lever, access cover release			B138B0044F	1
12	Knob, taper female			A138W2012F	1
13	Bush Flanged			A138W4000F	1
14	Screw M6 x 16 btn cap s/s black			A082W7105F	1
15	Nut Nyloc M6			A075W3009Z	1
16	Nut M6 hex flg			A117W3180F	4

EXIGE

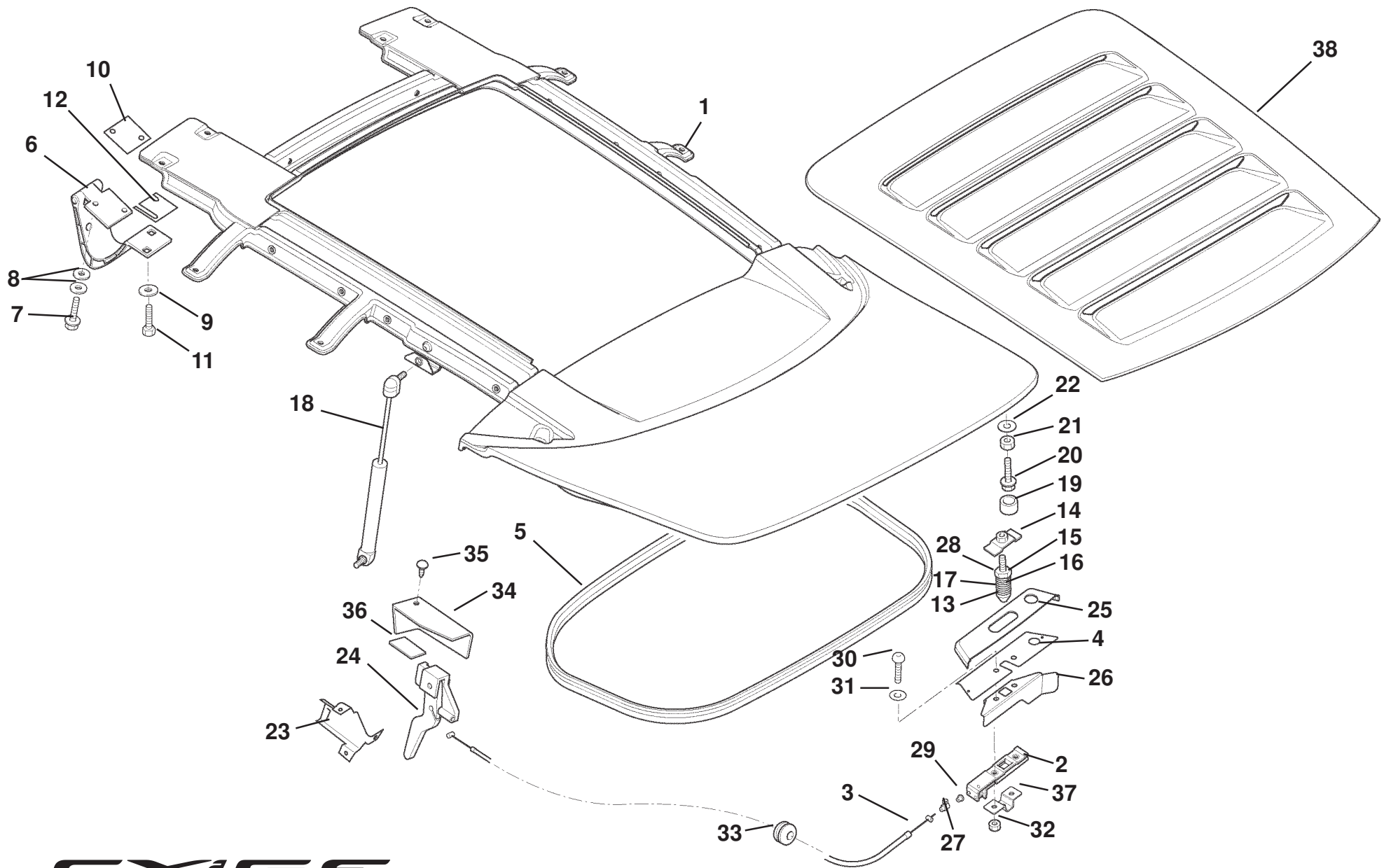
Function Code: 10.09, Page: 1

Updated 3rd January 2017

---

**Function Code 10.09 Front Services Access Panels**

<u>Dep</u>	<u>Part Description</u>	<u>Remarks</u>	<u>Option</u>	<u>Part Number</u>	<u>Qty</u>
17	Washer M6 x 15 x 1.5 s/s black			A082W4133F	1
18	Mounting Block Assembly			A120B0325F	2
19	Screw M4 x 20 pozi csk			A100W5156F	8
20	Shim, 1.5mm, mounting block to clamshell			A120B0323F	As req.
21	Screw M8 x 25 btn cap			A111W7175F	2
22	Screw M6 x 35 btn cap s/s black			A132W7004F	1
23	Washer M6 x 15 x 1.5 s/s black			A082W4133F	2
24	Pin, access cover latch			A138B0212F	1
25	Washer			A132U6081F	1
26	Screw M5 x 16 pan pozi			A082W5184F	1
27	Washer M8 x 25 x 1.5 s/s			B075W4021Z	2
28	Buffer,alarm switch			A138W6007F	1



**EXIGE**

10.11

*Updated 4th February 2016*

# Service Parts List

# EXIGE



## Function Code 10.11 Tailgate & Release Mechanism

<u>Dep</u>	<u>Part Description</u>	<u>Remarks</u>	<u>Option</u>	<u>Part Number</u>	<u>Qty</u>
01	Tailgate Assmbly Primed	Holes for rear wing		B138B0254J	1
01a	Tailgate Assmbly Primed	Without holes for rear wing		E138B0122J	1
02	Latch Assembly, tailgate			A082U6087F	1
03	Cable, tailgate release LHD/RHD			A138B0088F	1
04	Plate, tailgate striker			A138B0156F	1
05	Seal Boot Box			B138B0074F	1
06	Hinge Assembly, tailgate			A122B0084F	2
07	Screw, M6 x 25, hex. flg hd., hinge to clamshell			A132W5014F	4
08	Washer, flat, M6 x 20, hinge to clamshell			A075W4016Z	8
09	Washer, flat, M6 x 20, hinge to tailgate			A075W4016Z	4
10	Spacer, hinge to clamshell			A138B0369F	2
11	Screw, M6 x 25, hex. hd., hinge to tailgate			A075W1031Z	4
12	Shim, hinge to tailgate			A122B0199F	As req.
13	Striker Pin			A116B0468F	1
14	Nutplate, M10, floating, striker pin fixing			B111U0032F	1
15	Nut, striker pin			A120B0379F	1
16	Spring, striker pin			A111U6023F	1
17	Spring Retainer Cup			A120B0378F	1

EXIGE

**Function Code 10.11 Tailgate & Release Mechanism**

<u>Dep</u>	<u>Part Description</u>	<u>Remarks</u>	<u>Option</u>	<u>Part Number</u>	<u>Qty</u>
18	Strut, tailgate		With Wing	A138B0165F	2
18a	Strut, tailgate		Without Wing	A138B0164F	2
19	Rubber Buffer			X046B6113Z	4
20	Screw, M6 x 25, hex. flg. hd., tailgate stop			A132W5014F	4
21	Nut, flg. M6, tailgate stop			A117W3180F	4
22	Washer, flat, M6 x 18 x 1, tailgate stop			B082W4018F	4
23	Bracket, release handle to chassis, LH			B122B0151F	1
23a	Bracket, release handle to chassis, RH			B122B0152F	1
24	Handle Assembly, tailgate release, LHD			A122B0251S	1
24a	Handle Assembly, tailgate release, RHD			A122B0252S	1
25	Striker Cover, bootbox			A138V0110F	1
26	Anti Tamper Bracket			B138B0228G	1
27	Solderless Nipple			A116W6762F	1
28	Washer M10 x 20.5 x 1.5			A075W4023Z	1
29	Bush, cable retaining			A111U6049F	2
30	Screw M8 x 25 skt btn s/s			A111W7175F	2
31	Washer M8 x 25 x 1.5, s/s			B075W4021Z	2
32	Nut M8			A075W3021Z	2
33	Grommet, tailgate release cable			A138W6004F	2
34	Cover, release handle bracket, LHD			B122U0015K	1
34a	Cover, release handle bracket, RHD			B122U0016K	1



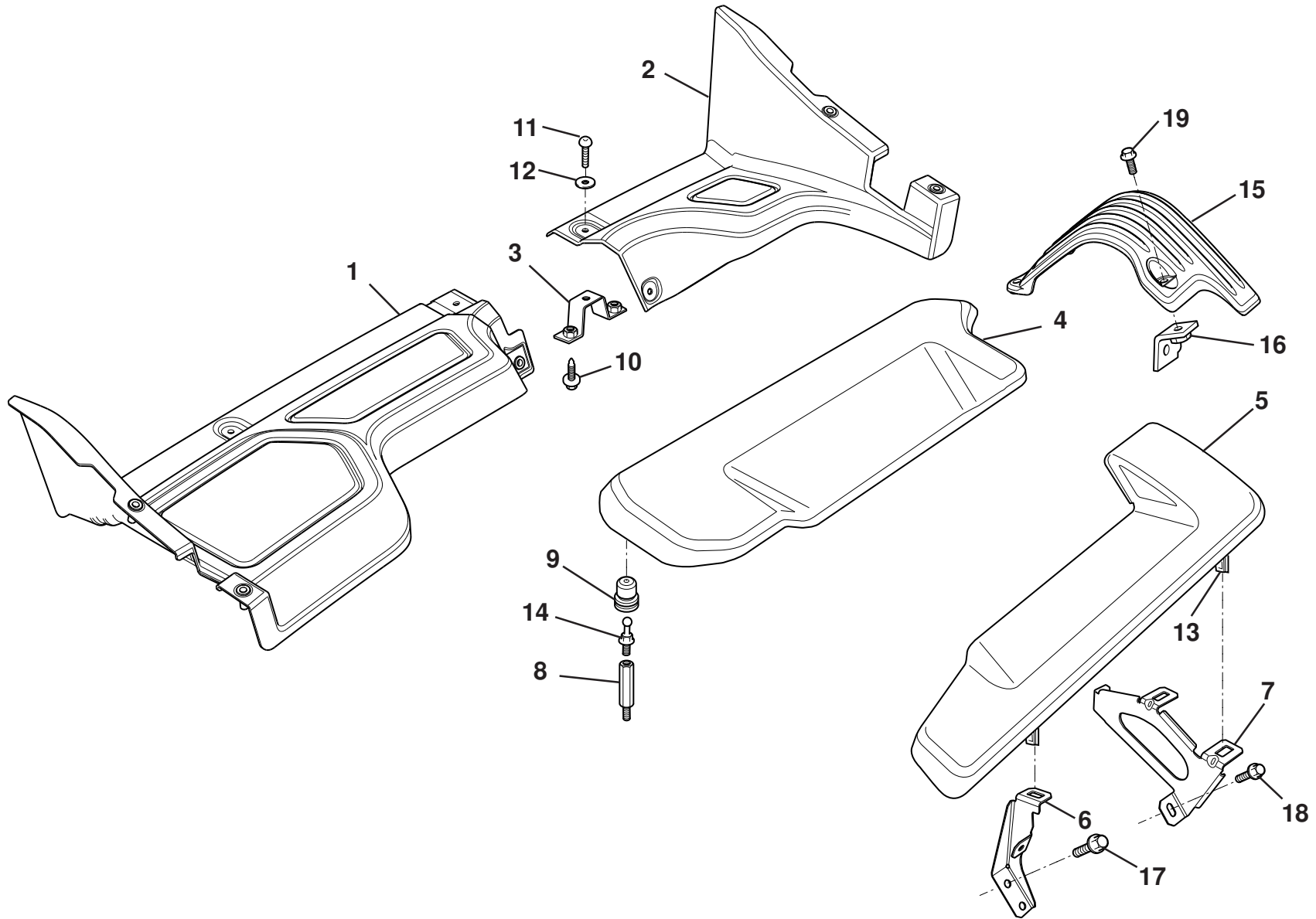
---

**Function Code 10.11 Tailgate & Release Mechanism**

<u>Dep</u>	<u>Part Description</u>	<u>Remarks</u>	<u>Option</u>	<u>Part Number</u>	<u>Qty</u>
35	Fir Tree			A116U0201F	1
36	Double Sided Tape			B075U6070V	1
37	Plate, latch protection			A138B0306G	1
38	Tailgate Louvre Panel , primed		Exige Sport 350	A138B0571J	1
38a	Tailgate Louvre Panel , carbon		Exige sport 380	A138B0604F	1







**EXIGE**

10.13

*Updated 27th September 2012*

# Service Parts List

# EXIGE



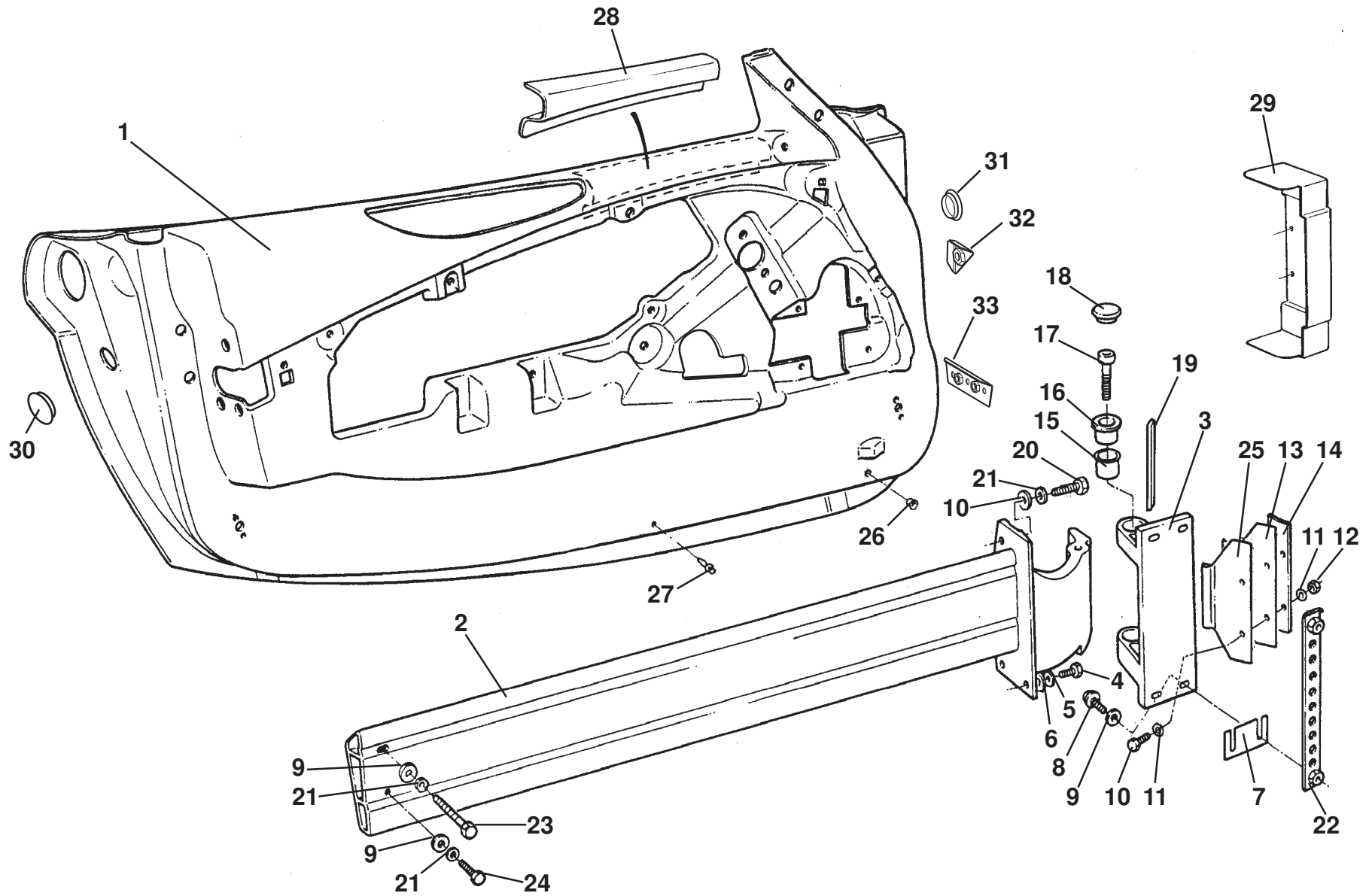
## Function Code 10.13 Engine Compartment, Cover, Latch Mechanism

<u>Dep</u>	<u>Part Description</u>	<u>Remarks</u>	<u>Option</u>	<u>Part Number</u>	<u>Qty</u>
01	Engine bay panel Assembly, LH	Painted	Exige S	B138B0140F	1
01a	Engine bay panel Assembly, LH	Injection Moulding	Exige Sport 350	A138B0425F	1
02	Engine bay panel Assembly, RH	Painted	Exige S	B138B0141F	1
02a	Engine bay panel Assembly, RH	Injection Moulding	Exige Sport 350	A138B0427F	1
03	Bracket Assembly, engine bay panels			B138B0138F	2
04	Engine Cover Front			C138E0014F	1
05	Engine Cover Rear			C138E0015F	1
06	Engine Cover Bracket LH			B138E0017F	1
07	Engine Cover Bracket RH			B138E0018F	1
08	Stud Special M6, cam cover mounting			A138W6001F	2
09	Isolator, front cover mounting			B120B0291F	3
10	Screw M6 x 20 hex flg			A132W5004F	4
11	Screw, M6 x 20, dome hd., s/s black			A100W7096F	7
12	Washer M6 x 15 x 1.5 s/s black		Exige S	A082W4133F	7
12a	Washer M6 x 18 x 1.6 s/s black		Exige Sport 350	A126W4213F	7
13	Tower Clip, engine cover			A132W6019F	3
14	Bolt, special, cover retention			A120E7232S	3
15	Supercharger Pulley Cover			A138E0022F	1

---

**Function Code 10.13 Engine Compartment, Cover, Latch Mechanism**

<u>Dep</u>	<u>Part Description</u>	<u>Remarks</u>	<u>Option</u>	<u>Part Number</u>	<u>Qty</u>
16	Bracket, supercharger pulley cover			A138E0023F	1
17	Screw M8 x 16 hex flg			A132W5013F	2
18	Screw M6 x 16 hex flg			A132W5003F	2
19	Screw M6 x 20 skt cap hd			A138W5007F	2



**EXIGE**

10.15

*Updated 27th february 2013*

# Service Parts List

# EXIGE



## Function Code 10.15 Door Shells, Beams, Hinges

<u>Dep</u>	<u>Part Description</u>	<u>Remarks</u>	<u>Option</u>	<u>Part Number</u>	<u>Qty</u>
01	Door Shell, LH			A138B0192K	1
01a	Door Shell, RH			A138B0197K	1
02	Door Beam Assembly, LH			A138B4175F	1
02a	Door Beam Assembly, RH			A138B4176F	1
03	Hinge, chassis to door beam			A111U0055F	2
04	Setscrew, M6 x 20, hex. hd., beam to door fix.			A075W1030Z	4
05	Washer, shakeproof, M6			A075W4046Z	4
06	Washer, flat, M6 x 1.5			A075W4015Z	4
07	Shim, door hinge, 1.0mm			A111B0316F	As req
07a	Shim, door hinge, 1.25mm			A116B0388F	As req.
07b	Shim, door hinge, 1.5mm			A111B0317F	As req
07c	Shim, door hinge, 2.0mm			B111B0314F	As req.
08	Screw, M8 x 30, hex flg hd.			A116W5245F	8
09	Washer, flat, M8 x 16.6 x 1.4			A075W4020Z	18
10	Screw, M6 x M20, hex. hd.			A075W1030Z	4
11	Washer, flat, M6			A075W4013Z	8
12	Nut, M6, Nyloc			A075W3009Z	4
13	Spring Plate, door check	Fit follower, item 25 to plate		C111B0174F	2

EXIGE

**Function Code 10.15 Door Shells, Beams, Hinges**

<u>Dep</u>	<u>Part Description</u>	<u>Remarks</u>	<u>Option</u>	<u>Part Number</u>	<u>Qty</u>
14	Support Plate, door check spring			C111B0175F	2
15	Bearing, door hinge			A111U6025F	4
16	Bush, door hinge			A111U0057F	4
17	Screw, M10 x 30, cap hd.			A075W7030F	4
18	Dust Cap, door hinge			A111U6024F	2
19	Door Stop Buffer Strip	Cut to fit, 135mm, 2 off		B111B0177V	As req.
20	Setscrew, M8 x 20, hex. hd., beam to door fix.			A075W1038Z	4
21	Washer, shakeproof, M8			A075W4048Z	10
22	Nutplate, door hinges	Fitted in chassis		A111U0056F	4
23	Bolt, M8 x 45, hex,hd.,beam to rear bracket, upper			A075W2040Z	2
24	Setscrew, M8 x 25, hex hd thin, beam to rear bracket, lower			A075W1081Z	2
25	Follower, door check spring	Fit to item 13		A116B0418F	2
26	Finisher Ring, door drainholes			A075P6064F	2
27	Bump Stop Scrivet			A116U0137F	2
28	Door Reinforcement, inner, LH	Bonded inside doorshell		A117B0663F	1
28a	Door Reinforcement, inner, RH	Bonded inside doorshell		A117B0664F	1
29	Cover, door hinge			A116B6006F	2
30	Blanking Grommet, door rear			A082B6057F	2
31	Blanking Grommet, 40mm, door front	Unused door harness hole	Non CDL cars	A116W6730F	2
32	Nutplate, door to beam, upper	Bonded inside doorshell		B111B0082F	2

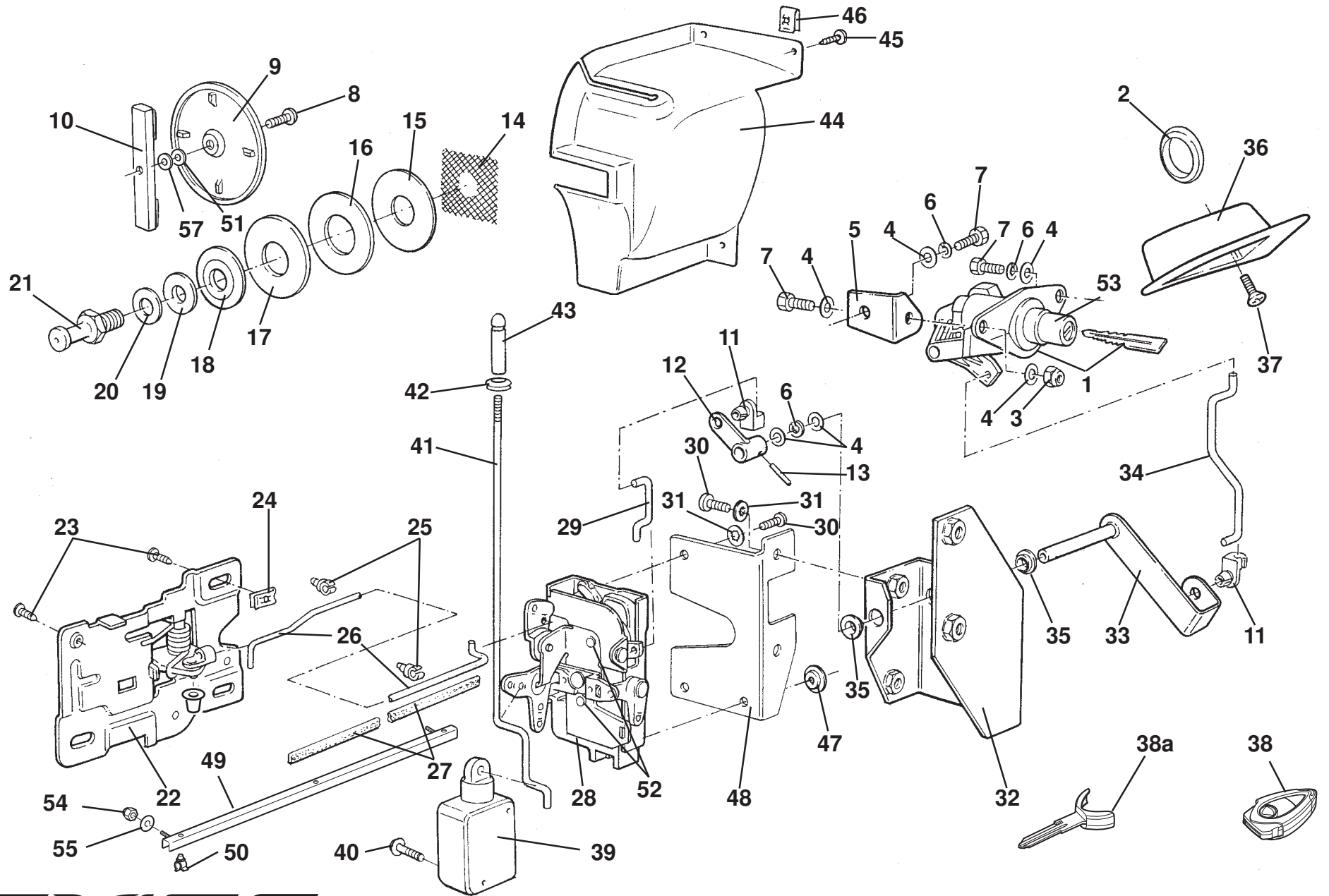


---

**Function Code 10.15 Door Shells, Beams, Hinges**

<u>Dep</u>	<u>Part Description</u>	<u>Remarks</u>	<u>Option</u>	<u>Part Number</u>	<u>Qty</u>
33	Nutplate, door to beam, lower	Bonded inside doorshell		A111B0081F	2
34	Door Curtain, weather sealing	Not illustrated		A117U0152F	2

---



**EXIGE**

10.17

Updated 3rd March 2014



# Service Parts List

# EXIGE



## Function Code 10.17 Door Latch Mechanism

<u>Dep</u>	<u>Part Description</u>	<u>Remarks</u>	<u>Option</u>	<u>Part Number</u>	<u>Qty</u>
01	Vehicle Lock Set, door, boot, steering, fuel & 2 key blades	(L-code) Order fuel cap (section 44.01) & transmitter fob (see section 17.33b/c)*		A120H0006F	1
02	Blanking Grommet, linkage access hole			A082B6057F	2
03	Nyloc Nut, M6, support bracket fix.			A075W3009Z	2
04	Washer, flat, M6 x 12.1 x 1.4, support brkt fix			A075W4013Z	12
05	Support Bracket, release button, LH			A117U0001F	1
05a	Support Bracket, release button, RH			A117U0002F	1
06	Washer, wavy, 0.25", support brkt. fix.			A075W4087Z	6
07	Setscrew, M6 x 16, support brkt. fix.			A075W1028Z	6
08	Screw, M5 x 16, pozi, cover plate fix			A082W5184F	2
09	Reflector/Cover			A117M6026F	2
10	Fixing Strap, cover plate			A111U0095F	2
11	Nylon Clip, linkage retention			A082U6267F	6
11a	Bush, nylon	Not illus., fits clip 11 into handle 22/22a see SB 2008/15		A120U6012F	2
12	Lever, door latch release			B111U0122F	2
13	Roll Pin, door latch lever to spindle retention			A111U6560F	2
14	Shim, expanded stainless, door striker attachment			A111U0215F	2
15	Shim, 2mm, door striker pin			A111U0220F	2

EXIGE

**Function Code 10.17 Door Latch Mechanism**

<u>Dep</u>	<u>Part Description</u>	<u>Remarks</u>	<u>Option</u>	<u>Part Number</u>	<u>Qty</u>
16	Shim, 4mm, door striker pin			A111U0219F	2
17	Front Collar, door striker pin			A111U0138F	2
18	Finisher, door striker pin			A111U0137K	2
19	Washer, striker			A111U0136F	2
20	Washer, flat, M12 x 24 x 1.6, door striker pin			A075W4071Z	2
21	Striker Pin, door latch			A111U6003F	2
22	Release, door latch, interior, LH	Includes handle		A111U6005F	1
22a	Release, door latch, interior, RH	Includes handle		A111U6004F	1
23	Screw, No. 8 x 3/4", pozi., door release fix.			A075W5074Z	8
24	Spire Nut, No.8, captive, door release fix.			A075W6016Z	6
25	Plastic Clip, interior release rod guide			A075J6027Z	4
26	Rod, interior release to latch, LH	See SB 2008/15		B117U0137F	1
26a	Rod, interior release to latch, RH	See SB 2008/15		B117U0138F	1
27	Foam Strip, 19 x 3mm			A082U6067F	As req.
28	Latch mechanism, LH			A111U0389S	1
28a	Latch mechanism, RH			A111U0388S	1
29	Rod, latch to lever assy.			A111U0134F	2
30	Screw, M6 x 12, pozi., door latch/ bracket fix.			A111W5214F	10
31	Washer, shakeproof, M6, door latch fix.			A075W4046Z	6
32	Bracket, door beam attachment, LH			B116B0179F	1
32a	Bracket, door beam attachment, RH			B116B0180F	1



## Function Code 10.17 Door Latch Mechanism

<u>Dep</u>	<u>Part Description</u>	<u>Remarks</u>	<u>Option</u>	<u>Part Number</u>	<u>Qty</u>
33	Spindle/Lever, door latch release, LH			A116U0035F	1
33a	Spindle/Lever, door latch release, RH			A116U0036F	1
34	Rod, latch to release button			A117U0003F	2
35	Bush, lever/spindle assy.			A111U6018F	4
36	Door Pull, exterior, LH			C117B0135F	1
36a	Door Pull, exterior, RH			C117B0136F	1
37	Screw, M4 x 16, csk, cap hd., exterior door pull fix.	Black dacromet finish		A117W7208F	4
38	Transmitter Fob	PFK alarm, see 17.33b,for Gemini see 17.33c excludes blade		A120M0049F	2
38a	Key Blade, uncut	PFK alarm, see 17.33b,for Gemini see 17.33c excludes transmitter fob		A120H0008S	2
38b	Key Blade, cut	PFK, Gemini alarm, Order from Bolton Lock, excludes transmitter fob		A120H0009S	2
39	Actuator, central door locking	If unavailable fit items 39a, 39b, 41a and refer to TSB 2015/08	up to Vin FH_11653	B116M6039F	2
39a	Actuator, central door locking		From vin Vin FH_11653	A138M0087F	2
39b	Actuator Fly lead		From vin Vin FH_11653	A138M0097F	2
40	Screw, No.8 x 3/4" flg. hd. pozi. CDL Actuator to door	Black finish		A075W5074Z	4
41	Rod, CDL to sill button		up to Vin FH_11653	A117U0329F	2
41a	Rod, CDL to sill button		From vin Vin FH_11653	A120U0240F	2
42	Grommet, button through sill			X036L6004Z	2

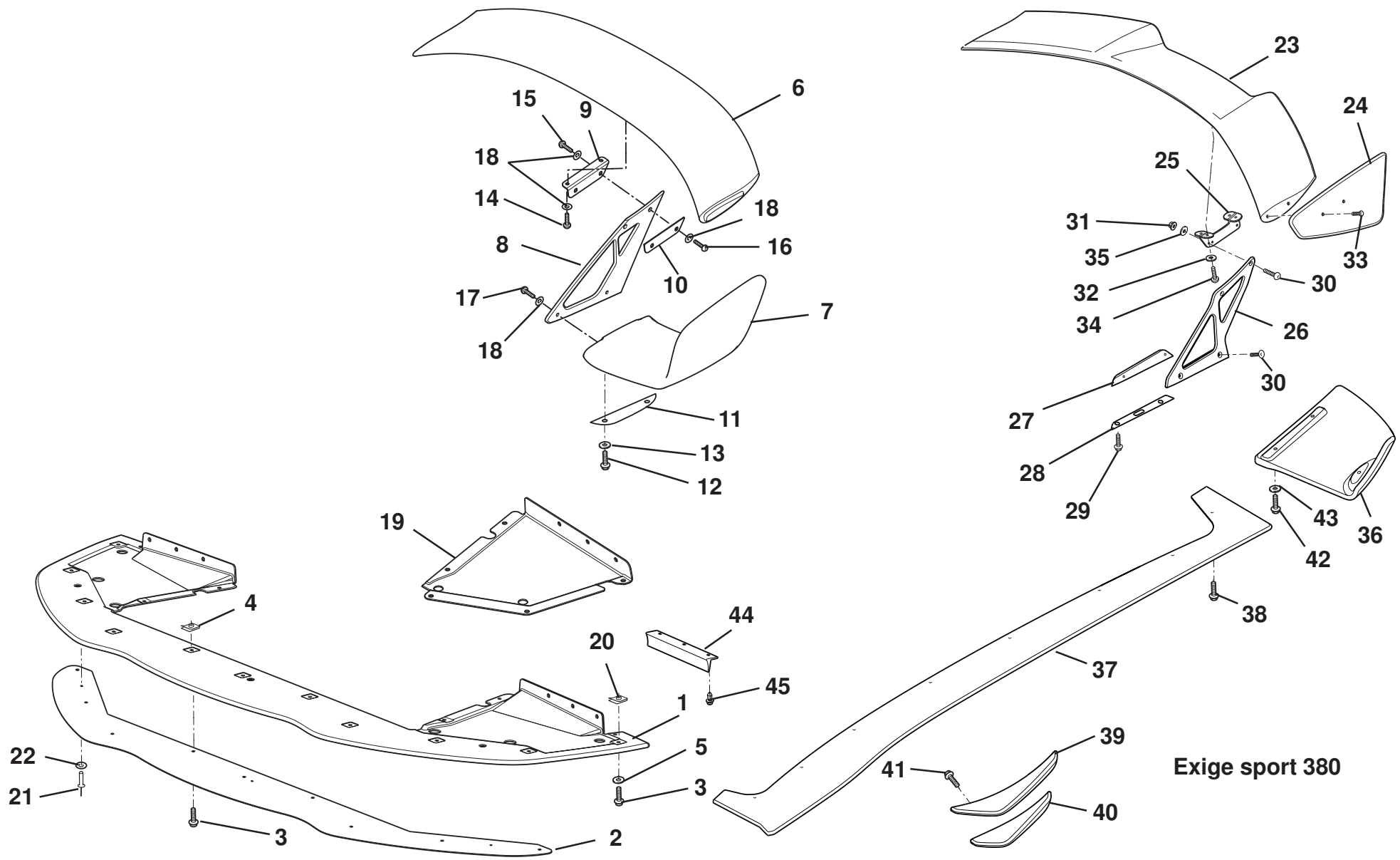
**EXIDE**

**Function Code 10.17 Door Latch Mechanism**

<u>Dep</u>	<u>Part Description</u>	<u>Remarks</u>	<u>Option</u>	<u>Part Number</u>	<u>Qty</u>
43	Button, door locking			A117U0330F	2
44	Cover, door latch, LH	Latch security		A117U0425F	1
44a	Cover, door latch, RH	Latch security		A117U0426F	1
45	Screw, No. 8 x 0.75", flg. hd. pozi., cover to door			A075W5074Z	6
46	Spirenut, No. 8, cover to door			A075W6016Z	6
47	Washer, top hat, latch to door	Bonded to door, outer fixings only		A117W4192K	2
48	Bracket, latch mounting, LH	Bonded to inner door		A116B0247F	1
48a	Bracket, latch mounting, RH	Bonded to inner door		A116B0248F	1
49	Cover, door release rod, LH			A117U0321F	1
49a	Cover, door release rod, RH			A117U0320F	1
50	Clip, release rod to cover			A082W6457F	6
51	Washer, ABS, reflector to door			A116B0978K	2
52	Rivet, door release lever pivot			A117H6006S	4
53	Sleeve, door release button			A117H6005S	2
54	Nut M5			A100W3113F	4
55	Washer M5			A075W4011Z	4
56	Lock Lubricant			A117U6019S	25ml
57	Washer M5 Neoprene, reflector to door			A082W4115F	2

NOTE: For full information on all  
Lotus Security Sytems, see  
LSL483g





**EXIGE**  
10.23

*Updated 3rd March 2017*

# Service Parts List

# EXIGE



## Function Code 10.23 Bumpers, Valences Spoilers & Aerofoils

<u>Dep</u>	<u>Part Description</u>	<u>Remarks</u>	<u>Option</u>	<u>Part Number</u>	<u>Qty</u>
01	Splitter Front flexible		Coupe	A138B0214F	1
01a	Splitter Front carbon		Exige sport 350	A138B0599F	1
02	Reinforcement Plate, splitter front		Coupe	A138B0215F	1
03	Screw M5 x18 skt hd flg			A138W5001F	17
04	Nut Speed Fix M5			B100W6372F	9
05	Washer Flat 3/16 x 3/4 x 16 s/s			B075W4009Z	8
06	Wing Chord, painted			A138B0104K	1
07	Cap Rear Wing LH primed			A138B4135K	1
07a	Cap Rear Wing RH primed			A138B4136K	1
08	Upright Rear Wing			B138B0137F	2
09	Bracket, wing to upright LH			B138B4109F	1
09a	Bracket, wing to upright RH			B138B4110F	1
10	Plate Rear Wing			B138B0087F	2
11	Gasket, rear wing			A138B0166F	2
12	Screw M8 x 20 hex flg, upright to tailgate			A120W5278F	4
13	Washer M8 x 21 x 1.6 s/s blk upright to tailgate	Forward fixings only		A111W4159F	2
14	Screw M6 x 8 btn hd bracket to wing			A138W5006F	4
15	Barrel Nut M6 x 12 btn hd			A138W3004F	4

EXIGE

**Function Code 10.23 Bumpers, Valences Spoilers & Aerofoils**

<u>Dep</u>	<u>Part Description</u>	<u>Remarks</u>	<u>Option</u>	<u>Part Number</u>	<u>Qty</u>
16	Screw M6 x 8 btn hd			A138W5006F	4
17	Screw M6 x 16 torx pan hd			A117W2213F	4
18	Decorative Washer M6 s/s			A138B0112F	16
19	Panel Undertray Flat LH		Roadster	A138B4137F	1
19a	Panel Undertray Flat RH		Roadster	A138B4138F	1
20	Nut Captive M6			A117W6715F	8
21	Rivet Pop			A132W6024F	2
22	Washer Flat 3/16 x 1/2 x 16g			A075W4000Z	2
23	Rear Wing carbon		Exige sport 380	A704B0045F	1
24	End Plate Rear Wing, carbon LH		Exige sport 380	A704B4061F	1
24a	End Plate Rear Wing, carbon RH		Exige sport 380	A704B4062F	1
25	Mounting rear Wing, non adjustable		Exige sport 380	B704B0029G	2
26	Upright Rear Wing LH		Exige sport 380	B138B4405F	1
26a	Upright Rear Wing RH		Exige sport 380	B138B4406F	1
27	Base Upright Rear Wing LH		Exige sport 380	A138B4409F	1
27a	Base Upright Rear Wing RH		Exige sport 380	A138B4410F	1
28	Gasket Rear Wing		Exige sport 380	A138B0614F	2
29	Bolt M6 x 14 hex flg hd			A116W5233F	4
30	Screw M6 x 16 csk skt hd			A918W7120F	8
31	Nut M6 dome s/s blk			A132W3020F	4
32	Washer M5 x 10 x 0.8			A111W4168F	8

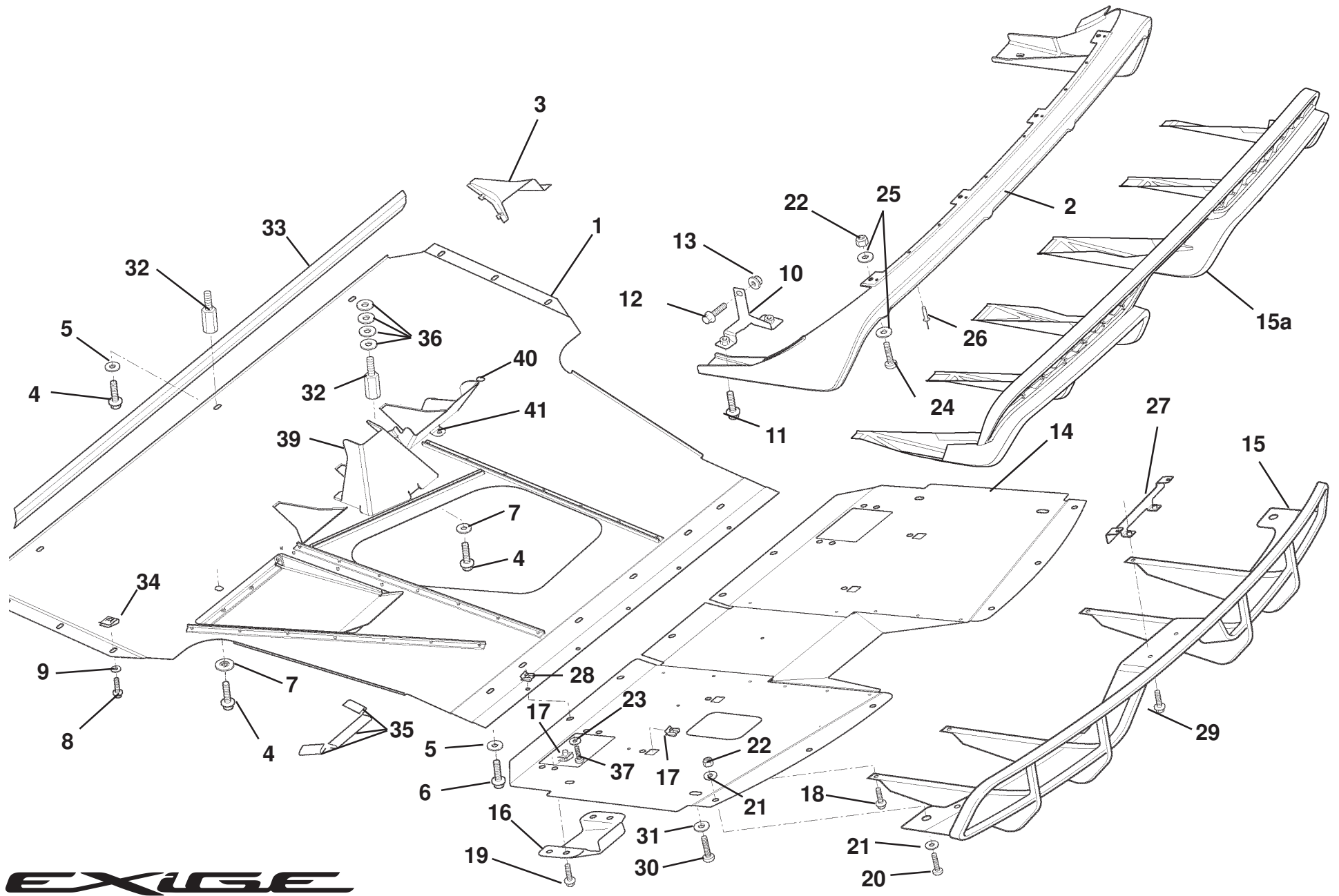


**Function Code 10.23 Bumpers, Valences Spoilers & Aerofoils**

<u>Dep</u>	<u>Part Description</u>	<u>Remarks</u>	<u>Option</u>	<u>Part Number</u>	<u>Qty</u>
33	Screw M5 x 20 csk skt hd			A702W5000F	4
34	Screw M5 x 12 btn skt hd			A132W5033F	8
35	Washer M6 x 15 x 1.5			A082W4133F	4
36	Rear Outer Board LH		Exige sport 380	A138U4047F	1
36a	Rear Outer Board RH		Exige sport 380	A138U4048F	1
37	Barge Board LH		Exige sport 380	A138U4037F	1
37a	Barge Board RH		Exige sport 380	A138U4038F	1
38	Screw M6 x 20 hex flg hd			A132W5004F	14
39	Front Canard Upper, LH		Exige sport 380	A138U4053F	1
39a	Front Canard Upper, RH		Exige sport 380	A138U4054F	1
40	Front Canard Lower, LH		Exige sport 380	A138U4061F	1
40a	Front Canard Lower, RH		Exige sport 380	A138U4062F	1
41	Screw M5 x 16 btn hd blk			A111W7156F	8
42	Bolt M5 x 16 hex flg hd			A132A6011F	6
43	Washer M5 x 10 x 0.8			A075W4011Z	6
44	Aero Flap		Exige sport 380	A120B0367F	2
45	Rivet			A132W6085F	6







**EXIGE**

10.25

*Updated 4th February 2016*

# Service Parts List

# EXIGE



## Function Code 10.25 Undertray & Diffuser

<u>Dep</u>	<u>Part Description</u>	<u>Remarks</u>	<u>Option</u>	<u>Part Number</u>	<u>Qty</u>
01	Undertray Panel Assembly, rear	Includes items 39-41		E138U0002J	1
02	Diffuser Finisher, painted grp	without reversing sensors holes	Exige S	A132U0616K	1
02a	Diffuser Finisher, injection moulding	without reversing sensors holes	Exige Sport 350	A132U1135F	1
02b	Diffuser Finisher painted grp	with reversing sensors holes	Exige S	A132U0639F	1
02c	Diffuser Finisher, injection moulding	with reversing sensors holes	Exige Sport 350	A132U1138F	1
02d	Diffuser Finisher, carbon	with reversing sensors holes	Exige Sport 380	A138U1315F	1
03	Naca Duct			A132U0167F	3
04	Screw M8 x 14 hex flg hd			A132W5012F	6
05	Washer Flat M8 x 20 x 2.5 s/s			A079W4019F	9
06	Screw M8 x 20 hex flg			A132W5005F	6
07	Spacer, rear diffuser			A132W4002F	3
08	Screw M5 x 12 hex flg hd			A132W5002F	6
09	Washer Flat M5 x 25 x 1.5			A082W4098F	6
10	Bracket Assembly rear diffuser mounting LH			A138U4001F	1
10a	Bracket Assembly rear diffuser mounting RH			A138U4002F	1
11	Screw M8 x 20 hex flg			A132W5005F	4
12	Screw M6 x 16 hex flg			A132W5003F	2
13	Nut M6 hex flg			A117W3180F	2

EXIGE

**Function Code 10.25 Undertray & Diffuser**

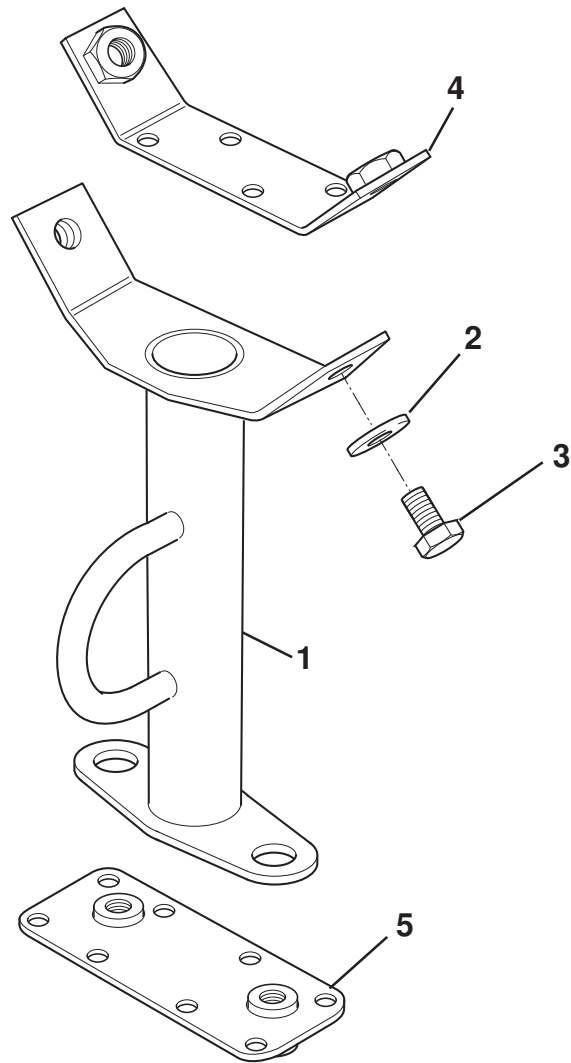
<u>Dep</u>	<u>Part Description</u>	<u>Remarks</u>	<u>Option</u>	<u>Part Number</u>	<u>Qty</u>
14	Diffuser Panel Assembly rear			A138U0067J	1
15	Diffuser Grille Surround Assembly		Exige S	A132U0626F	1
15a	Diffuser Grille Surround Assembly	TBC	Exige Sport 350	A132U1106F	1
16	Duct, rear diffuser rear			A132U0904F	2
17	Speed Nut M6			A117W6715F	12
18	Screw M6 x 20 hex flg			A132W5004F	4
19	Screw M6 x 16 hex flg			A918W5208F	8
20	Screw M6 x 16 skt btn hd			A122W5282F	6
21	Washer M6 x 15 x 1.5 s/s blk			A082W4133F	12
22	Nut Nyloc M6 thin			A907E6285F	6
23	Washer M5 x 25 x 1.4			A082W4098F	5
24	Screw M6 x 20 skt btn hd			A100W7096F	4
25	Washer M6 x 15 x 1.5			A082W4133F	8
26	Rivet			A132A6022H	6
27	Bracket, central diffuser mounting			B138B0159F	1
28	Speed Nut, M5			B100W6372F	5
29	Screw M5 x 16 hex flg			A132W5003F	2
30	Screw M8 x 20 skt btn hd			A075W7022Z	11
31	Washer M8 x 25 x 1.5			A075W4021Z	11
32	Threaded Adaptor			A120A0183F	4
33	Foam, self adhesive			A100B0431F	1



---

**Function Code 10.25 Undertray & Diffuser**

<u>Dep</u>	<u>Part Description</u>	<u>Remarks</u>	<u>Option</u>	<u>Part Number</u>	<u>Qty</u>
34	Speed Nut, M5, undertray fixing			B100W6372F	6
35	Edge Finisher	1 x 105mm 2 x 40mm		A117B6010V	As req.
36	Washer M8 x 16 x 1.4			A127W4000F	4
37	Screw M5 x 16 btn hd			A111W7156F	5
38	Rivnut M8, rear undertray fixing	Not illustrated		A111W6605F	8
39	Duct heatshield RH			A138S0001F	1
40	Duct Engine Bay, frt lwr RH			A138S0002F	1
41	Rivet			A138W6028F	6



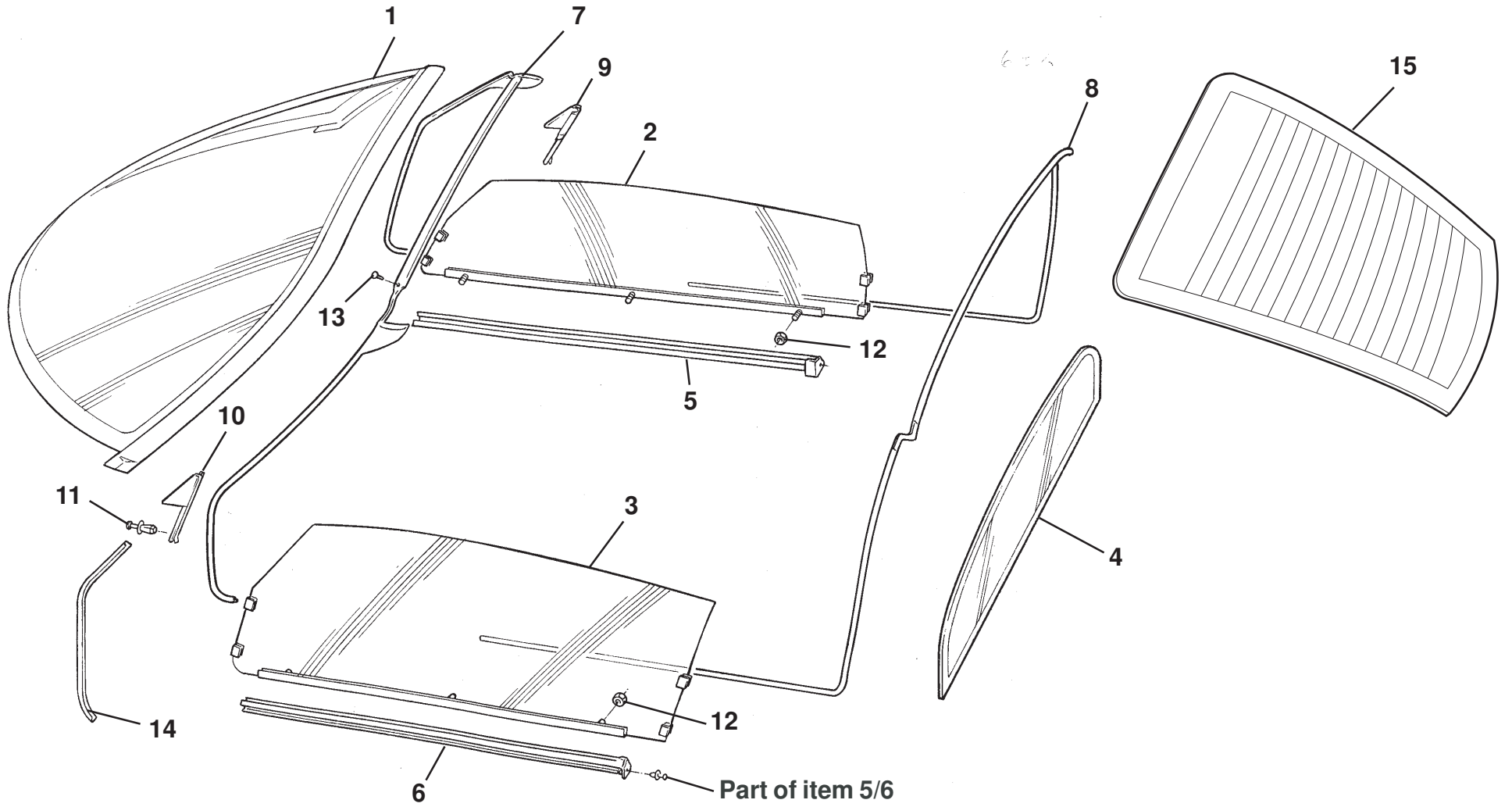
**EXIGE**

10.31

---

**Function Code 10.31 Towing Strut/ Hook**

<u>Dep</u>	<u>Part Description</u>	<u>Remarks</u>	<u>Option</u>	<u>Part Number</u>	<u>Qty</u>
01	Assembly Towing Front			A138U0010F	1
02	Setscrew M8 x 25 hex			A120W1000F	4
03	Washer M8 x 21 x 1.6 s/s blk			A111W4159F	4
04	Nutplate, bonded, upper towing strut	Bonded to crash structure		A120B0203F	1
05	Nutplate, bonded, lower towing strut	Bonded to crash structure		A121B0102F	1



**EXIGE**

11.01

*Updated 24th January 2013*

# Service Parts List

# EXIGE



## Function Code 11.01 Windscreen, Door Glass, Seals & Weather Strips

<u>Dep</u>	<u>Part Description</u>	<u>Remarks</u>	<u>Option</u>	<u>Part Number</u>	<u>Qty</u>
01	Windscreen & Finisher Assembly			A117B0094F	1
01a	Windscreen & Finisher Assembly, solar	No green tinted band	Option/Gulf States	A128B0156F	1
02	Door Glass Assembly, RH			F116B0186F	1
03	Door Glass Assembly, LH			F116B0185F	1
04	Rear Window, glass	Bonded to bulkhead	Exige S	A117B0138F	1
04a	Rear Window, laminated glass	Bonded to bulkhead	Exige Sport 350	A138B0434F	1
04b	Rear Window, polycarbonate	Bonded to bulkhead	Exige Sport 380	A138B0630F	1
05	Seal Assembly, door waist, RH	Includes plastic fastener		B117U0010F	1
06	Seal Assembly, door waist, LH	Includes plastic fastener		B117U0009F	1
07	Door Front/Roof Seal Assembly			A116V0273F	1
08	Door Rear/Roof Seal Assembly			A116V0098F	1
09	Door Cheater Seal, RH			B117U0134F	1
10	Door Cheater Seal, LH			B117U0133F	1
11	Plastic Fastener, cheater seal fix.			A079W6195F	2
12	Nyloc Nut, M6, glass to lift channel			A907E6285F	6
13	Plastic Fastener, header seal fix.			A116W6722F	2
14	Secondary Door Seal, 600mm, front	Front inside face of door		A117U0429V	2
15	Glass Tailgate			A138B0024F	1

EXIGE

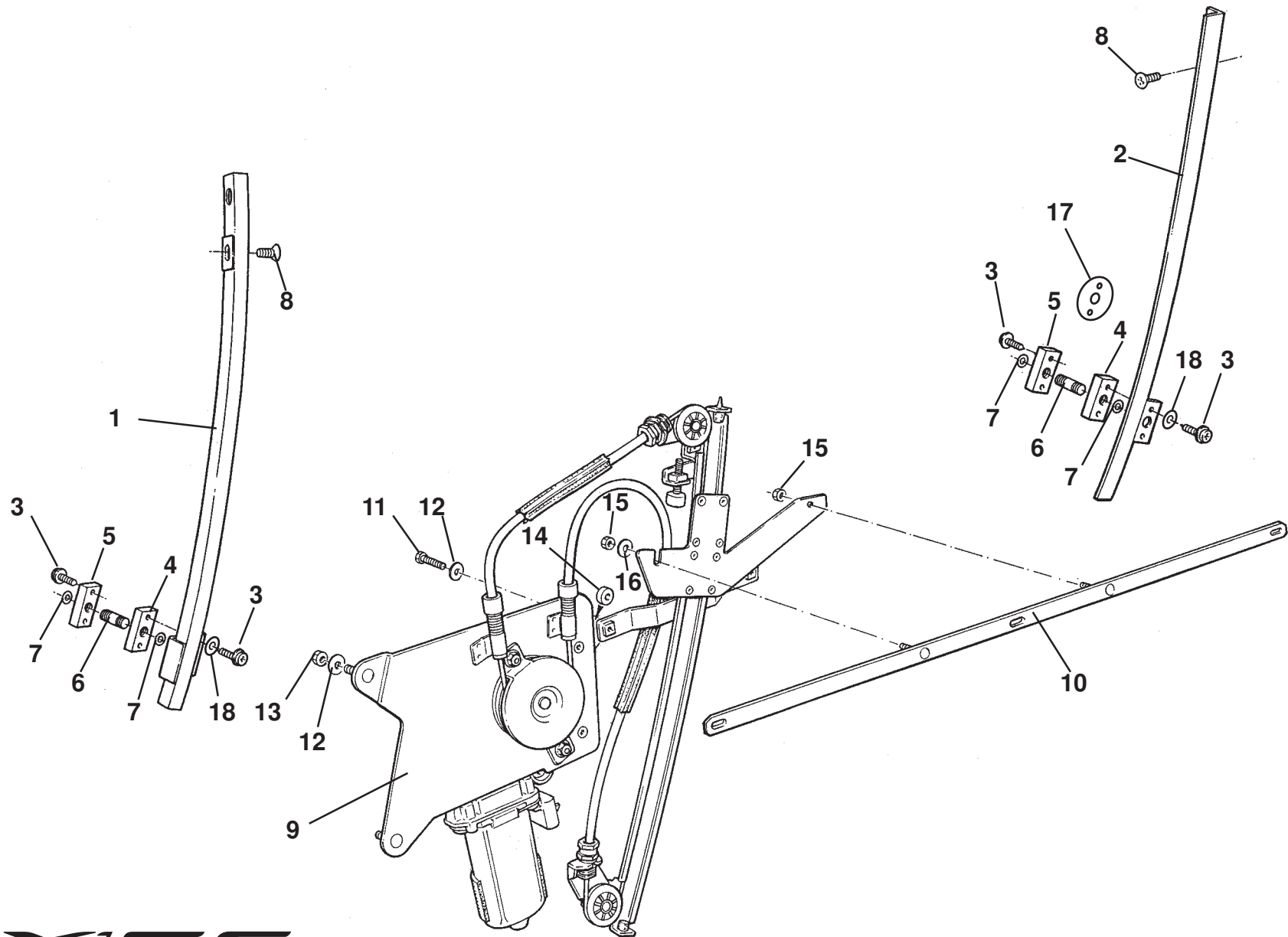


---

**Function Code 11.01 Windscreen, Door Glass, Seals & Weather Strips**

<u>Dep</u>	<u>Part Description</u>	<u>Remarks</u>	<u>Option</u>	<u>Part Number</u>	<u>Qty</u>
16	Loctite 382 Adhesive, cheater/waist seals to door	Not illustrated		A111B6098V	20gm

---



**EXIGE**

11.02

*Updated 4th April 2013*

# Service Parts List

# EXIGE



## Function Code 11.02 Door Window Lift Mechanism

<u>Dep</u>	<u>Part Description</u>	<u>Remarks</u>	<u>Option</u>	<u>Part Number</u>	<u>Qty</u>
01	Guide Rail, door glass, front, LH			C116U0007F	1
01a	Guide Rail, door glass, front, RH			C116U0006F	1
02	Guide Rail, door glass, rear, RH			D116U0004F	1
02a	Guide Rail, door glass, rear, LH			D116U0005F	1
03	Screw, No,8 x 0.75", flg. pozi, hd., block fixing			A075W5074Z	16
04	Adjuster Block, guide rail LH thread			A116U0020F	4
05	Adjuster Block, guide rail RH thread			A116U0021F	4
06	Stud, rail adjusting			A116U0022F	4
07	'O' Ring			A116U0023F	8
08	Screw, M5 x 12, csk. cap hd., rail to door	Black dacromet finish		A117W7207F	4
09	Window Lift Mechanism, electric, LH			B117U0389F	1
09a	Window Lift Mechanism, electric, RH			B117U0390F	1
10	Studplate Adaptor, mechanism to glass			B117U0391H	2
11	Screw, M6 x 20, hex. hd., mechanism to door			A075W1030Z	6
12	Washer, flat, M6 x 15 x 1.5, mechanism to door			A075W4015Z	10
13	Nyloc Nut, M6, thin, motor to door			A907E6285F	4
14	Spacer, 4mm, lift channel to door			A117W4194F	6
15	Nyloc Nut, M6, thin, studplate to mechanism			A907E6285F	4

EXIGE

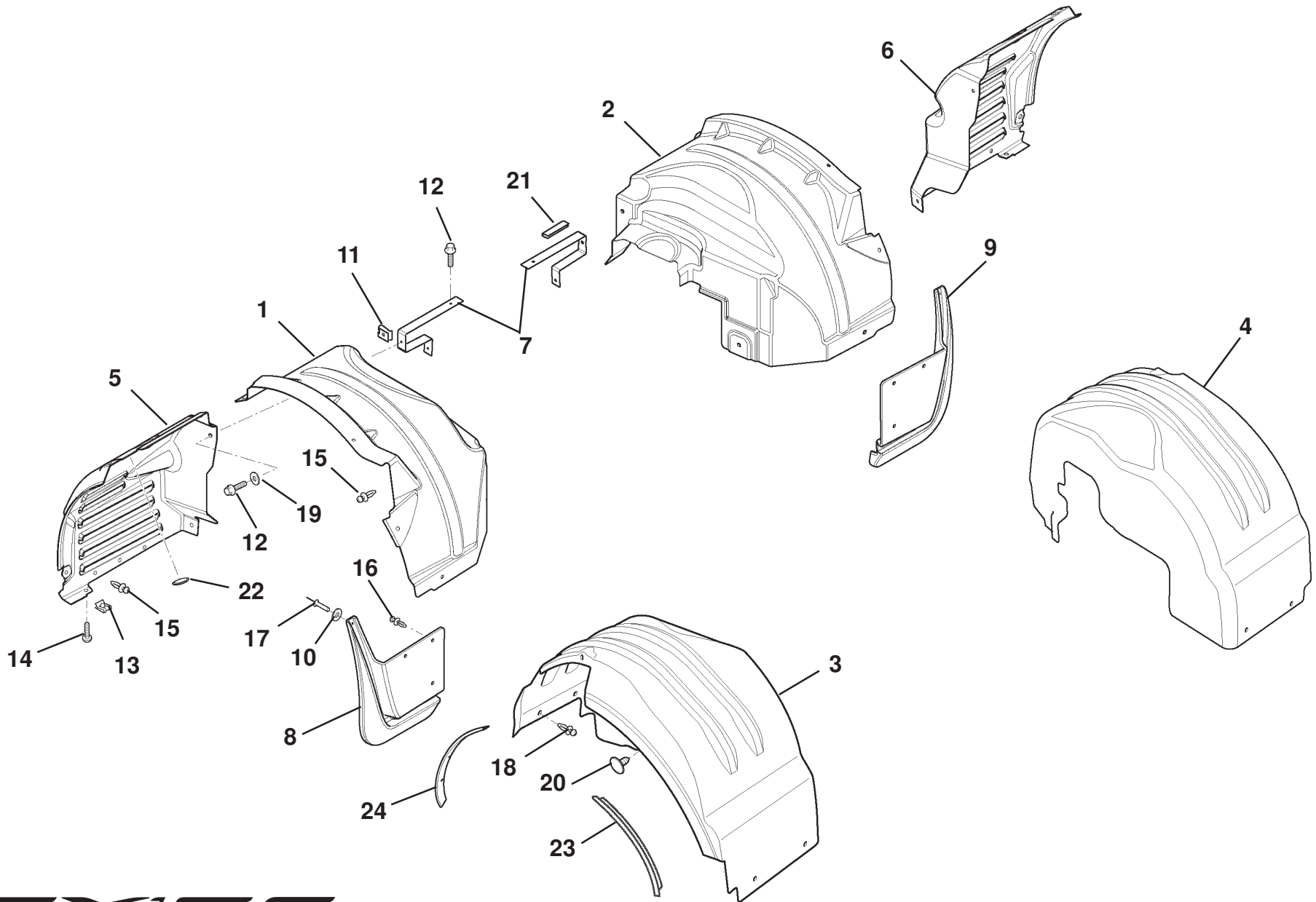
Function Code: 11.02, Page: 1

Updated 1st December 2014

---

**Function Code 11.02 Door Window Lift Mechanism**

<u>Dep</u>	<u>Part Description</u>	<u>Remarks</u>	<u>Option</u>	<u>Part Number</u>	<u>Qty</u>
16	Washer, flat, M6 x 15 x 1.5, studplate to mechanism			A075W4015Z	2
17	Plate, adjuster block to door rear			A116B0437F	2
18	Washer, flat,,M6 x 20 x 2.5			A075W4016Z	2
19	Downstop, door glass	Not illustrated, bonded to door		A116B0314F	2
20	Tape, self adhesive, downstop to door	Not illustrated		A100B6142V	0.25M



**EXIGE**

12.01

*Updated 3rd May 2016*

# Service Parts List

# EXIGE



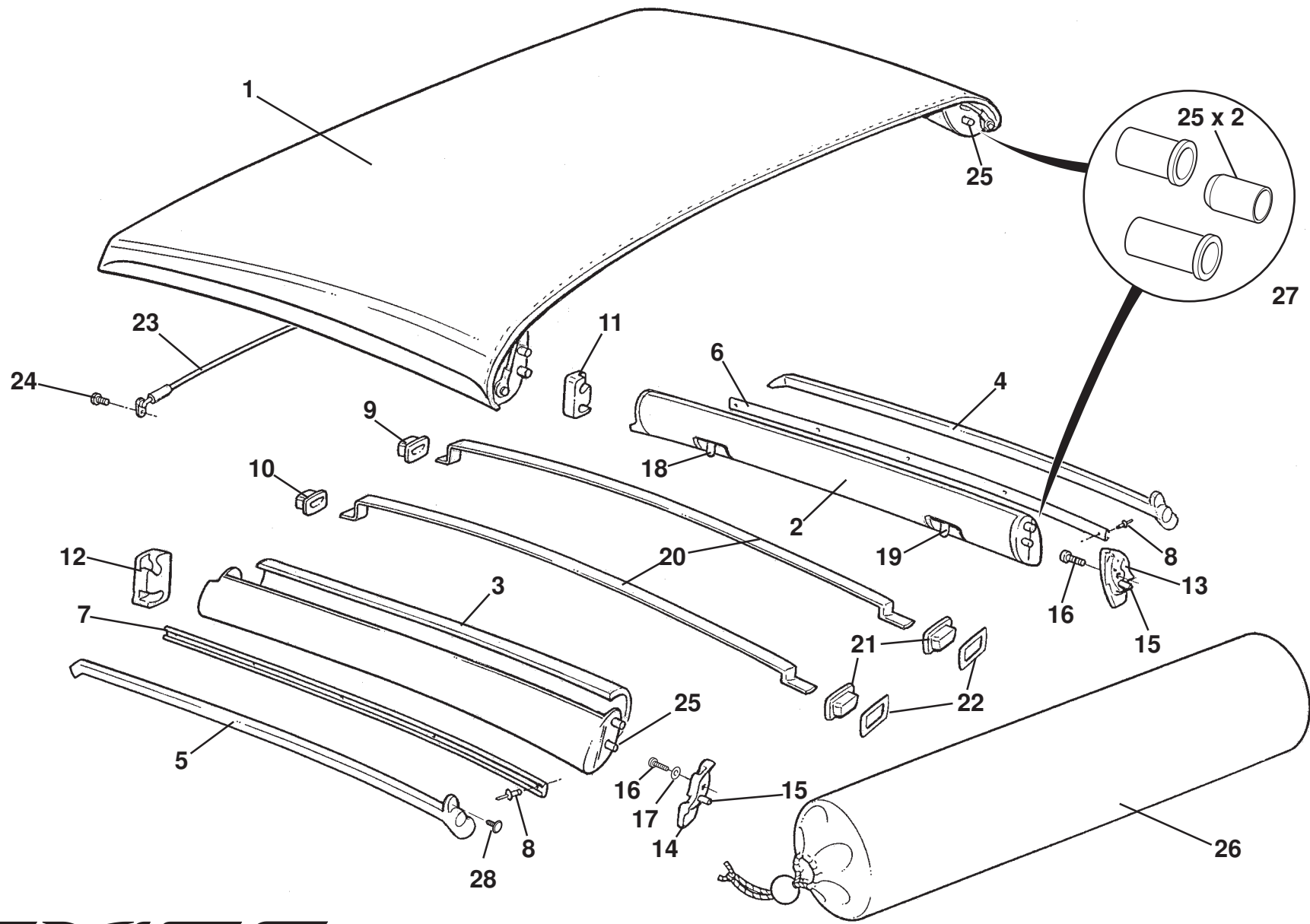
## Function Code 12.01 Wheelarch Liners

<u>Dep</u>	<u>Part Description</u>	<u>Remarks</u>	<u>Option</u>	<u>Part Number</u>	<u>Qty</u>
01	Panel Front Wheelarch Liner LH			A138B4015F	1
02	Panel Front Wheelarch Liner RH			A138B4016F	1
03	Panel Rear Wheelarch Liner LH			A138B4019F	1
04	Panel Rear Wheelarch Liner RH			A138B4020F	1
05	Panel Headlamp Access LH			A138B4017F	1
06	Panel Headlamp Access RH			A138B4018F	1
07	Support Bracket, front wheel arch liner support			A138B0096F	2
08	Mud Guard LH			A138B4043F	1
09	Mud Guard RH			A138B4044F	1
10	Cup Washer, black. mud guard			A082W6482F	4
11	Speed Nut M6, front wheelarch liner			A130W6813F	2
12	Screw M6 x 16 hex flg, front wheelarch liner/bracket			A132W5003F	6
13	Speed Nut M5, front wheelarch liner			B100W6372F	2
14	Screw M5 x 18 skt btn s/s, front wheelarch liner			A138W5001F	2
15	Scrivet, front wheelarch liner/headlamp acces panel			A120W6848F	20
16	Scrivet, mud guard			A120W6848F	8
17	Rivet, mud guard			A075W6092Z	4
18	Scrivet, rear wheelarch liner			A120W6848F	8

---

**Function Code 12.01 Wheelarch Liners**

<u>Dep</u>	<u>Part Description</u>	<u>Remarks</u>	<u>Option</u>	<u>Part Number</u>	<u>Qty</u>
19	Washer M6 x 25 x 1.4 s/s black			A082W4131F	2
20	Fixing Fir Tree, rear wheelarch liner			A116U0201F	2
21	Edge Finisher			A117B6010V	1
22	Blanking Grommet			A082B6057F	4
23	Blade Rear Wheelarch, forward LH			A138B4403K	1
23a	Blade Rear Wheelarch, forward RH			A138B4404K	1
24	Blade Rear Wheelarch, rearward LH			A128B4011F	1
24a	Blade Rear Wheelarch, rearward RH			A128B4012F	1



**EXIGE**

12.02

*Updated 5th September 2016*



# Service Parts List

# EXIGE



## Function Code 12.02 Soft Top Roof, Cant Rails, Roof Bows

<u>Dep</u>	<u>Part Description</u>	<u>Remarks</u>	<u>Option</u>	<u>Part Number</u>	<u>Qty</u>
01	Soft Top Roof Assembly, lined			A120B0199F	1
02	Trim Panel, cant rail, RH	3 off-set 'fir tree' fixings on panel		C116V0004H	1
03	Trim Panel, cant rail, LH	3 off-set 'fir tree' fixings on panel		C116V0003H	1
04	Weatherseal, RH			A116V0092H	1
05	Weatherseal, LH			A116V0091H	1
06	Seal Carrier, RH			B116V0088F	1
07	Seal Carrier, LH			B116V0089F	1
08	Pop Rivet, seal carrier to cant rail			A116V0090H	12
09	Pocket, stay to header rail, RH	Bonded to windscreen frame		A116B0184F	1
10	Pocket, stay to header rail, LH	Bonded to windscreen frame		A116B0183F	1
11	Latch Plate, front, RH	Bonded to windscreen frame		A116B0002F	1
12	Latch Plate, front, LH	Bonded to windscreen frame		A116B0001F	1
13	Latch Plate, with tongue, rear, RH	Also fixing for hard top		C116B0466F	1
14	Latch Plate, with tongue, rear, LH	Also fixing for hard top		C116B0467F	1
15	Dowel Pin, plate to roll-over bar			A116W6659F	2
16	Screw, M6 x 20, cap hd., black, latch plate to roll-over bar			A082W7041F	2
17	Washer, wavy, 1/4", latch plate to roll-over bar			A075W4087F	2
18	Latch Assembly, front, RH			B117B0154H	1

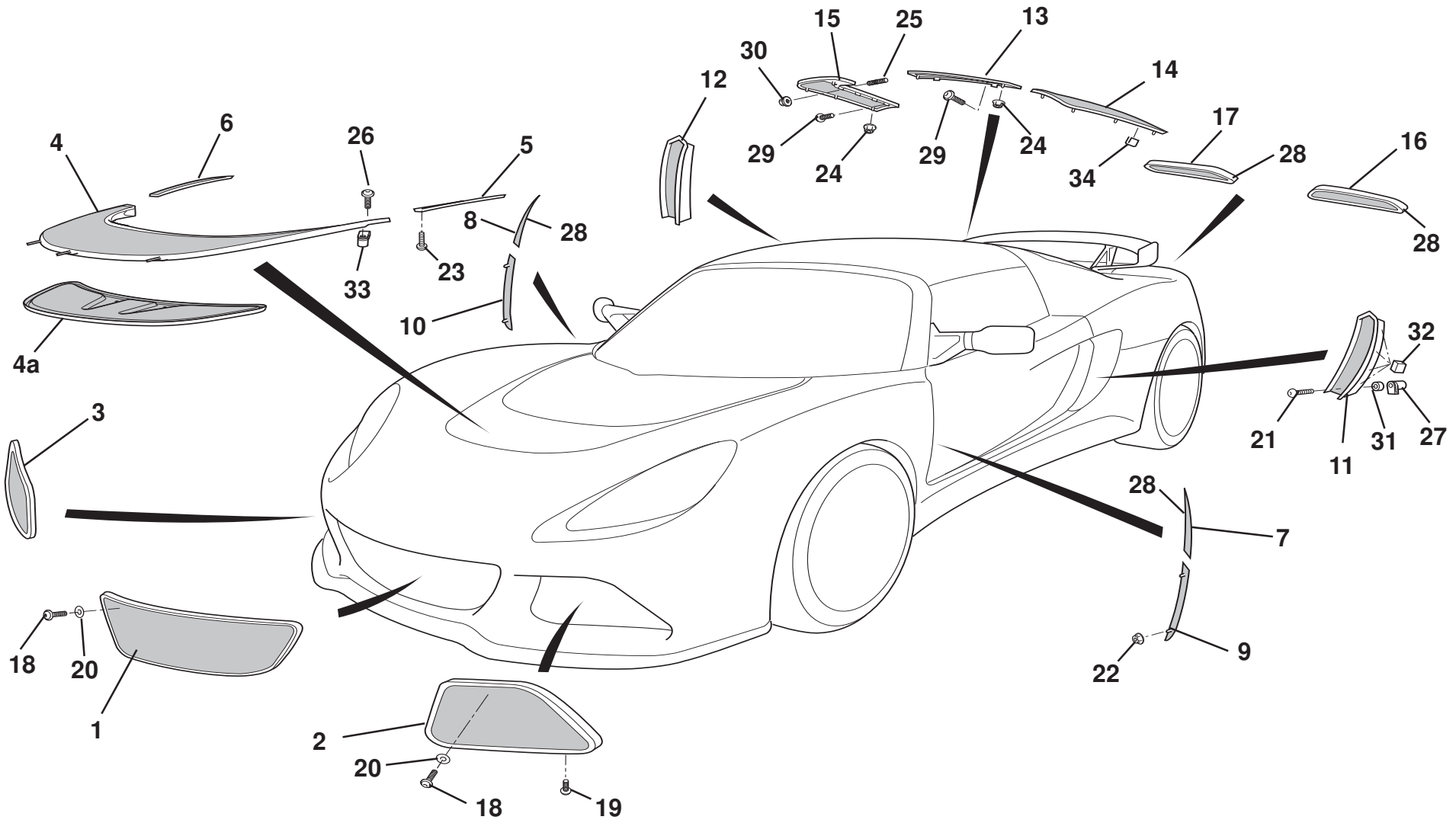
EXIGE

---

**Function Code 12.02 Soft Top Roof, Cant Rails, Roof Bows**

<u>Dep</u>	<u>Part Description</u>	<u>Remarks</u>	<u>Option</u>	<u>Part Number</u>	<u>Qty</u>
18a	Latch Assembly, front, LH			B117B0155H	1
19	Latch Assembly, rear, RH			B117B0156H	1
19a	Latch Assembly, rear, LH			B117B0157H	1
20	Stay, soft top supporting			B116V0095H	2
21	Pocket, stay to rear window shroud			A116B0182F	2
22	Spacer, pocket to shroud		If fitted	B117B0480K	2
23	Cable, soft top tensioning, front		Side adjusting	A120V0304H	1
23a	Cable, soft top tensioning, rear		Centre adjusting	C116V0064H	1
24	Screw, cables to soft to assy.			A111W7150F	4
25	End Cap, latching pin	See item 27		A116V0150H	4
26	Soft Top Stowage Bag			A120V0314H	1
27	End Cap Kit (per side)	Includes item 25, set supplied per side		A120B0470S	2
28	Firtree, weatherseal			A116W6722F	2
29	Soft Top Care Kit, hood cleaner & hood protector	Not illustrated		A117U6021S	2 x 500ml

---



**EXIGE**  
12.03

*Updated 1st November 2016*

# Service Parts List

# EXIGE



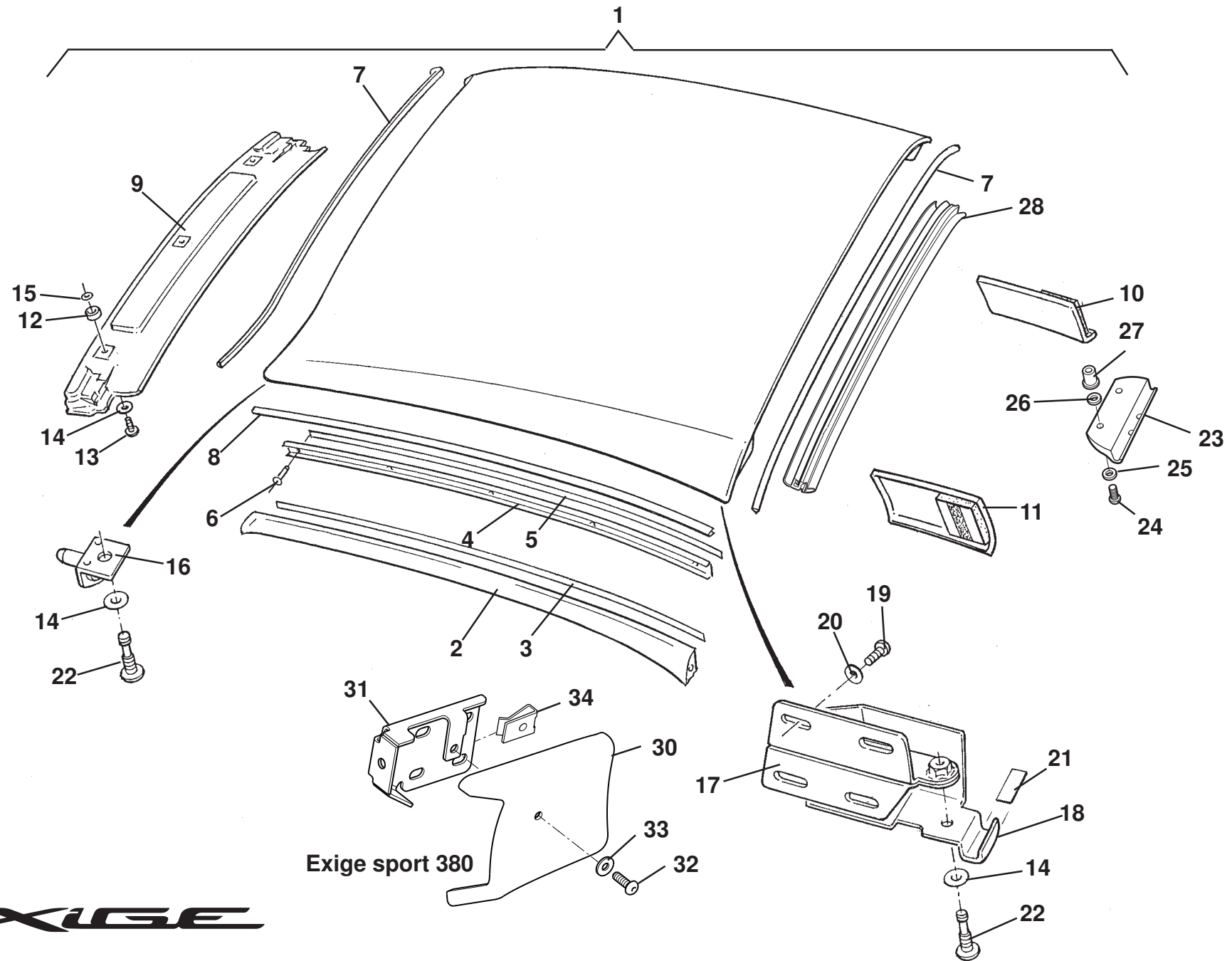
## Function Code 12.03 Grilles and Louvres

<u>Dep</u>	<u>Part Description</u>	<u>Remarks</u>	<u>Option</u>	<u>Part Number</u>	<u>Qty</u>
01	Grille Front Centre Intake			A138B0011F	1
02	Grille Side intake Front LH			A138B4025F	1
03	Grille Side intake Front RH			A138B4026F	1
04	Grille Outlet			A138B0010F	1
04a	Grille Outlet		50th edition, Exige Sport 380	A138B0324F	1
05	Grille Outlet LH			A138B4087F	1
06	Grille Outlet RH			A138B4088F	1
07	Grille 'A' Panel Upper LH			A138B4027F	1
08	Grille 'A' Panel Upper RH			A138B4028F	1
09	Grille 'A' Panel Lower LH			A138B4111F	1
10	Grille 'A' Panel Lower RH			A138B4112F	1
11	Grille Side Intake LH			A138B4055F	1
12	Grille Side Intake RH			A138B4056F	1
13	Grille Tailgate Centre			A138B0031F	1
14	Grille Tailgate LH			A138B4039F	1
15	Grille Tailgate RH			A138B4040F	1
16	Grille Transom LH			A138B4089F	1
17	Grille Transom LH			A138B4090F	1

EXIGE

**Function Code 12.03 Grilles and Louvres**

<u>Dep</u>	<u>Part Description</u>	<u>Remarks</u>	<u>Option</u>	<u>Part Number</u>	<u>Qty</u>
18	Screw M5 x 18 skt btn flg blk, grille side			A138W5001F	10
19	Screw 50 x 10 torx flg s/s, grille front side			A138W5000F	4
20	Washer M6, grille frt ctr, side			A120B0310F	10
21	Screw M5 x 18, grill side intake			A117W5277F	4
22	Nut, self threading			A121W3185F	4
23	Screw no.8 x 1/2 pozi, grille outlet LH, RH			A117W5250F	8
24	Nut, self threading, tailgate grilles			A121W3185F	10
25	Grub Screw M5 x 35 skt btn blk, tailgate grilles			A138W1001F	6
26	Screw 50 x 25 torx flg s/s, grille front exit			A124W5289F	4
27	Easyboss			A124W3193F	8
28	Double Sided Tape, grille 'A' panel upper & transom			C075U6071V	100mm
29	Screw M5 x 18 skt btn flg blk, tailgate grille side			A138W5001F	4
30	Nut M5 hex flg, tailgate side grille			A138W3003F	6
31	Spacer, side grille			A138W6024F	4
32	Foam	4 x 20mm		A054B6110V	As req.
33	Easyboss			A124W3193F	4
34	Bump Stop			A138B0328F	2



Exige sport 380

**EXIGE**  
12.04

*Updated 3rd January 2017*

# Service Parts List

# EXIGE



## Function Code 12.04 Roof Panel, Seals & Fixings

<u>Dep</u>	<u>Part Description</u>	<u>Remarks</u>	<u>Option</u>	<u>Part Number</u>	<u>Qty</u>
01	Hard Top Roof Assembly Complete	Quote Lotus Paint Code with order*	Painted, trimmed	A121B0074J	1
01a	Hard Top Roof Assembly Complete, carbon			A120B0619J	1
01b	Headlining, black	Not illustrated, sold by the sq metre order 2 metres		A120V6024V	2m
02	Seal, hard top to side glass, LH			A116V0249F	1
02a	Seal, hard top to side glass, RH			A116V0248F	1
03	Double Sided Tape, 5mm, seal to carrier	Cut to fit		A117B0362V	As req.
04	Seal Carrier, LH			A116V0241F	1
04a	Seal Carrier, RH			A116V0240F	1
05	Double Sided Tape, 12mm, carrier to hard top	Cut to fit, 2 strips per side		C075U6071V	As req.
06	Pop Rivet, seal carrier to hard top			A116W6707F	12
07	Hard top seal	8mm thick		B116U0211F	As req.
08	Edging Strip, hard top sides			A120U0097F	2
09	Trim/Clamp Panel, front, hard top to screen header			A116B1078J	1
10	Trim Panel, bracket rear RH covering			F116B0470J	1
11	Trim Panel, bracket rear LH covering			F116B0469J	1
12	Spacer, plastic, panel to header			B116V0221F	3
13	Screw, M8 x 20, button hd. torx, clamps & frontcover fixing Black finish			A116W5258F	3

EXIGE

**Function Code 12.04 Roof Panel, Seals & Fixings**

<u>Dep</u>	<u>Part Description</u>	<u>Remarks</u>	<u>Option</u>	<u>Part Number</u>	<u>Qty</u>
14	Washer, flat, M8 x 21 x 1.6, clamps & front cover fixing	Black finish		A111W4159F	3
15	Retainer, nylon, screws to clamps & front cover			A116W4189F	5
16	Pin Clamp, hard top front			A116V0350F	2
16a	Sleeve, pin clamp to latch plate			A117U0507F	2
17	Bracket Assembly, clamp to hard top rear LH			B116V0177F	1
17a	Bracket Assembly, clamp to hard top rear RH			B116V0178F	1
18	Hook Clamp, hard top rear, LH			B116V0349J	1
18a	Hook Clamp, hard top rear, RH			B116V0348J	1
19	Screw, M6 x 16, pan hd. torx, rear brackets to hard top	Black finish		A116W5260F	8
20	Washer, flat, M6 x 12 x 1.5, rear brackets to hard top	Black finish		B100W4127F	8
22	Screw M8 x 20, pn torx btn hd, tamper proof fixing		Exige S coupe	A138W5008F	4
22a	Clunk Bolt, M8 x 35, torx, hardtop fixing		Exige S roadster	C121B0083F	4
23	Clamp, rear retention			A120V0296J	1
23a	Clamp Kit, rear retention	Includes fixings items 24-26		A120V0347S	1
24	Screw, M8 x 20, button hd. torx, centre clamp rr			A116W5258F	2
25	Washer M8 x 21x 1.6, s/s blk, centre clamp rr			A111W4159F	2
26	Captive Washer M8, centre clamp rr			A116W4189F	2
27	Insert M8			A117W6718F	2
28	Seal, hard top to rollhoop			A120B6084F	1
29	Hard Top Stowage Bag	Not illustrated		A116V0228F	1
30	Carbon Roof Cover LH		Exige sport 380	A120V4209J	1





---

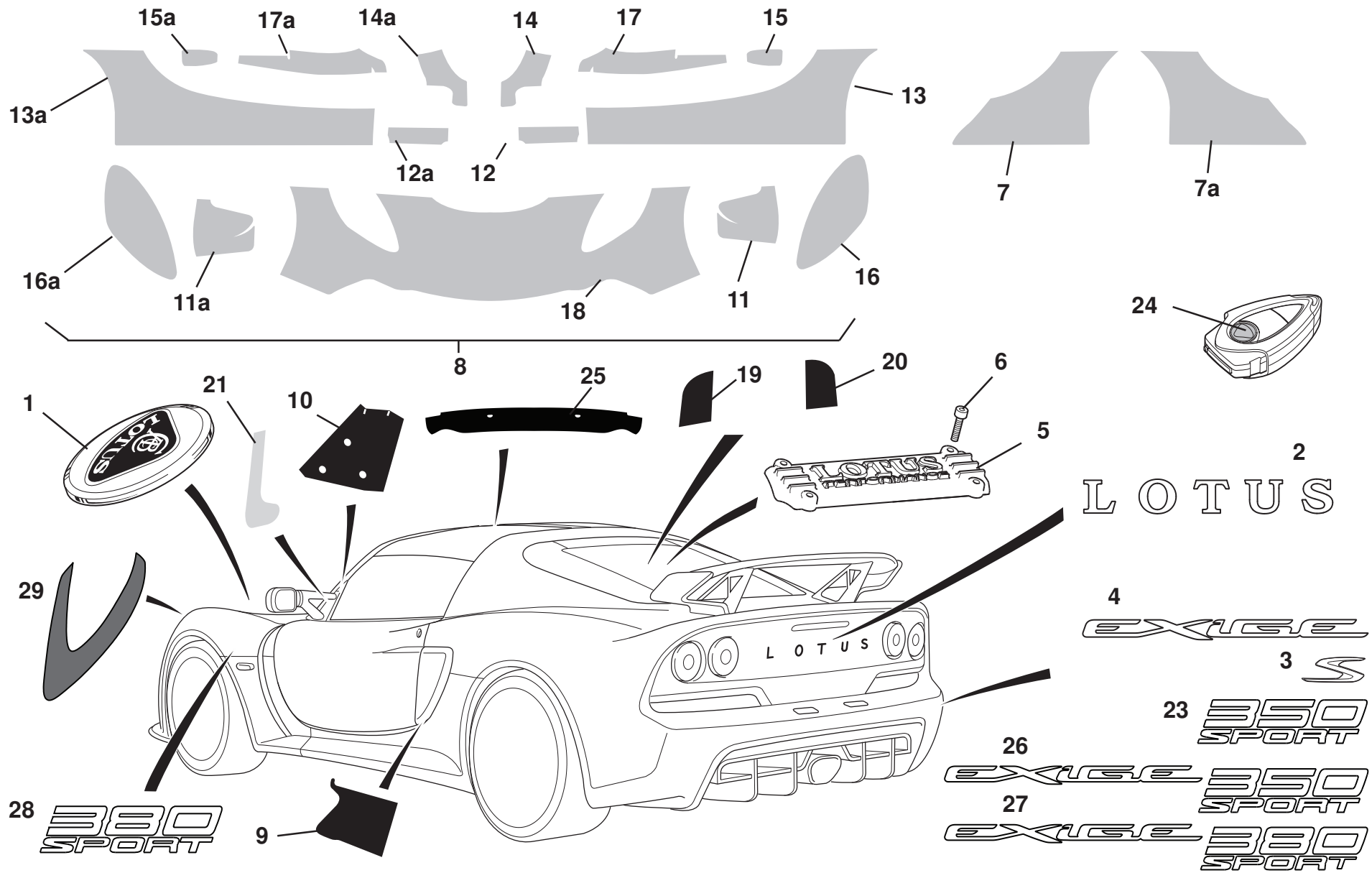
**Function Code 12.04 Roof Panel, Seals & Fixings**

<u>Dep</u>	<u>Part Description</u>	<u>Remarks</u>	<u>Option</u>	<u>Part Number</u>	<u>Qty</u>
30a	Carbon Roof Cover RH		Exige sport 380	<b>A120V4210J</b>	1
31	Mounting Bracket, hardtop rear LH		Exige sport 380	<b>A120B4175F</b>	1
31a	Mounting Bracket, hardtop rear LH		Exige sport 380	<b>A120B4176F</b>	1
32	Screw M5 x 16 btn hd			<b>A111W7156F</b>	2
33	Washer Flat 3/16 x 17g			<b>A082W4129F</b>	2
34	Speed Nut M5			<b>A132W3015F</b>	2

\*Use Hardtop order form located  
on the dealer portal

---





**EXIGE**

**12.05**

*Updated 3rd March 2017*

# Service Parts List

# EXIGE



## Function Code 12.05 Decals, Badges & Protective Film

<u>Dep</u>	<u>Part Description</u>	<u>Remarks</u>	<u>Option</u>	<u>Part Number</u>	<u>Qty</u>
01	Nose Badge, Lotus logo			A117U0170F	1
02	Badge, 'L O T U S', raised chrome letters	On rear transom	Exige S	B124B0326F	1
02a	Decal, 'L O T U S',	On rear transom	Exige Sport 350	A120B0452F	1
02b	Badge, 'L O T U S', raised letters light grey	On rear transom	Exige Sport 380	A138U0132F	1
02c	Badge, 'L O T U S', raised letters dark grey	On rear transom	Exige Sport 380	A138U0133F	1
03	Badge 'S'			A132U0608F	1
04	Badge 'Exige', rear clam			B138B0176F	1
05	Badge Supercharger			A138E0016F	1
06	Screw M5 x 12 cap hd, badge to supercharger			A138W5002F	4
07	Chip Protection Rear Wheelarch rear front LH			B138B4145F	1
07a	Chip Protection Rear Wheelarch rear front RH			B138B4146F	1
08	Chip Protection Kit		Option	B138B0185S	1
09	Decal Side Air Duct LH			A138U4009F	1
09a	Decal Side Air Duct RH			A138U4010F	1
10	Decal Mirror Plinth LH			A138B4183F	1
10a	Decal Mirror Plinth RH			A138B4184F	1
11	Chip Protection, rear bumper LH			A138B4147H	1
11a	Chip Protection, rear bumper RH			A138B4148H	1

EXIGE

**Function Code 12.05 Decals, Badges & Protective Film**

<u>Dep</u>	<u>Part Description</u>	<u>Remarks</u>	<u>Option</u>	<u>Part Number</u>	<u>Qty</u>
12	Chip Protection, lower front sill LH			A138B4149H	1
12a	Chip Protection, lower front sill RH			A138B4150H	1
13	Chip Protection, full sill wheelarch LH			A138B4151H	1
13a	Chip Protection, full sill wheelarch RH			A138B4152H	1
14	Chip Protection, front clamshell inner LH			A138B4153H	1
14a	Chip Protection, front clamshell inner RH			A138B4154H	1
15	Chip Protection, door mirror LH			A138B4167H	1
15a	Chip Protection, door mirror RH			A138B4168H	1
16	Chip Protection, headlamp LH			A138B4171H	1
16a	Chip Protection, headlamp RH			A138B4172H	1
17	Chip Protection, front splitter LH			A138B4203H	1
17a	Chip Protection, front splitter RH			A138B4204H	1
18	Chip Protection, front clamshell upper			A138B0186H	1
19	Decal Rear Screen LH		Gulf States	A120B4025F	1
20	Decal Rear Screen RH		Gulf States	A120B4026F	1
21	Film, clear, LH cheater panel, front			A120B4031S	1
21a	Film, clear, RH cheater panel, front			A120B4032S	1
22	Decal 'CR' and chequered, 140mm	Above side repeater lamp, radio blanking plate	Exige S Clubracer	A120B0451F	3
23	Decal '350 Sport', white		Exige Sport 350	A138U0089F	1
23a	Decal '350 Sport', black		Exige Sport 350	A138U0090F	1

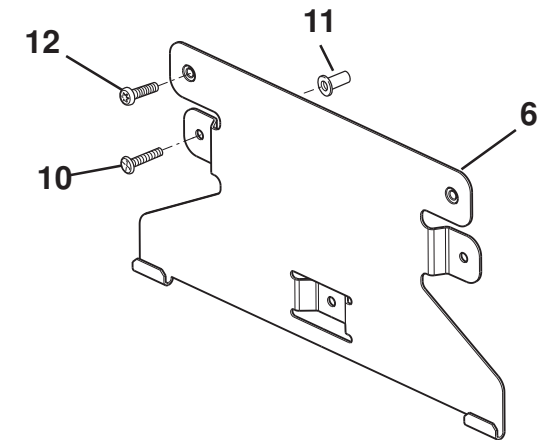
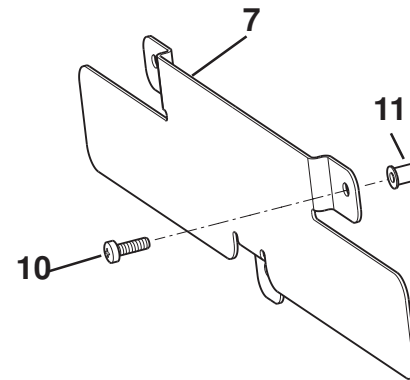
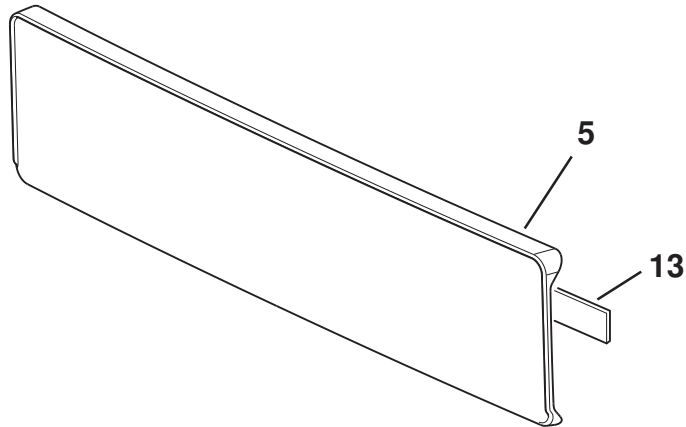
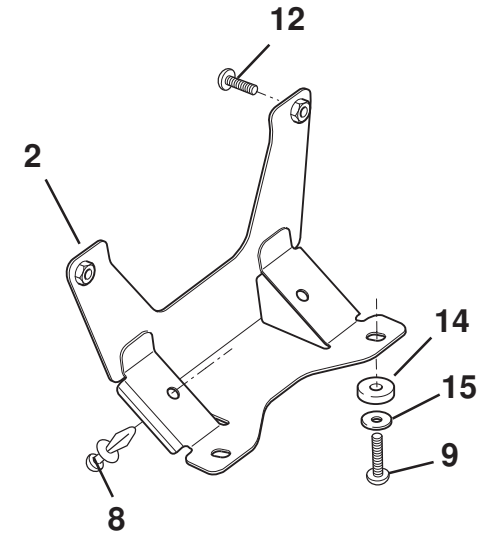
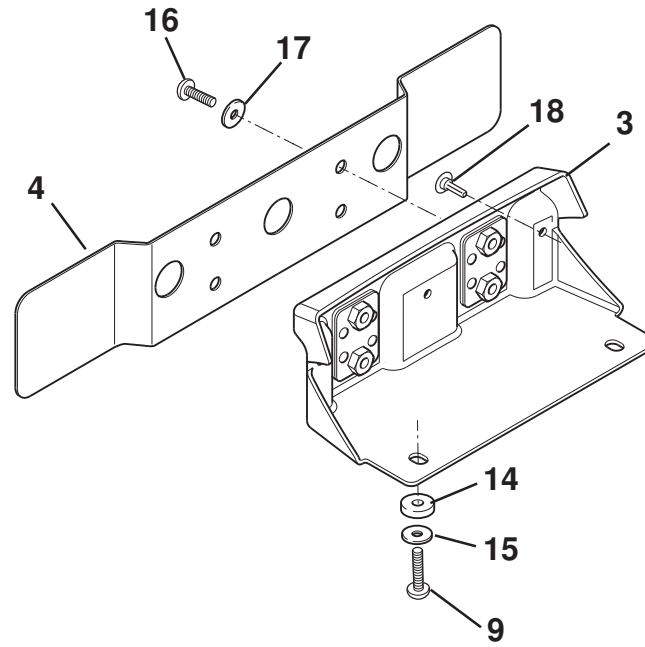
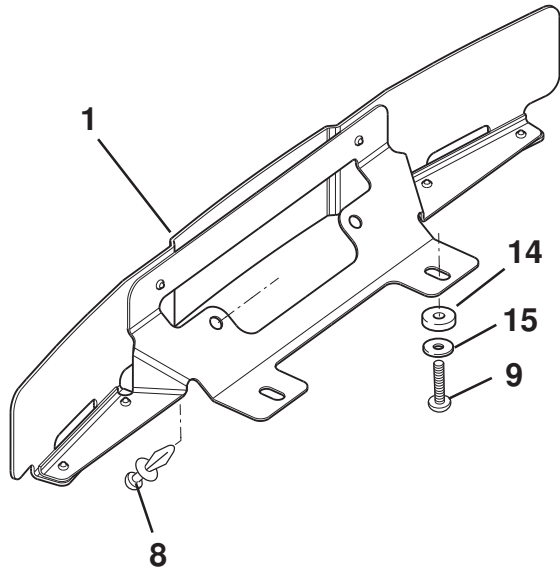


---

**Function Code 12.05 Decals, Badges & Protective Film**

<u>Dep</u>	<u>Part Description</u>	<u>Remarks</u>	<u>Option</u>	<u>Part Number</u>	<u>Qty</u>
24	Decal Lotus Roundal Key fob			LOTDS05288	1
25	Film, blackout, header rail protection	Cars with sunvisors		A116B0319F	1
25a	Film, blackout, header rail protection.airbag label, LHD	Cars without sunvisors		A138V4351F	1
25b	Film, blackout, header rail protection.airbag label, RHD	Cars without sunvisors		A138V4352F	1
26	Decal '350 Sport', light grey/red	On rear clamshell	Exige Sport 350	A138U0124F	1
27	Decal 'EXIGE 380 Sport', light grey/red	On rear clamshell	Exige Sport 380	A138U0127F	1
27a	Decal 'EXIGE 380 Sport', dark grey/red	On rear clamshell	Exige Sport 380	A138U0128F	1
28	Decal '380 Sport', light grey/red	Above side repeater lamp	Exige Sport 380	A138U0131F	1
28a	Decal '380 Sport', dark grey/red	Above side repeater lamp	Exige Sport 380	A138U0134F	1
29	Decal Headlamp LH		Exige Sport 380	A138U4025F	1
29a	Decal Headlamp RH		Exige Sport 380	A138U4026F	1





**EXIGE**

12.07

*Updated 29th September 2014*

# Service Parts List

# EXIGE



## Function Code 12.07 Licence Plate Mountings

<u>Dep</u>	<u>Part Description</u>	<u>Remarks</u>	<u>Option</u>	<u>Part Number</u>	<u>Qty</u>
01	Plinth Assembly, front license plate			B138B0013F	1
02	Plinth Assembly, front license plate		Japan	B138B0157F	1
03	Plinth Assembly, front license plate	To be confirmed	Gulf States	A138B0355J	1
04	Bracket, front license plate	To be confirmed	Gulf States	A138U0045F	1
05	Plinth, rear license plate	Unpainted	Euro	A138B0213F	1
06	Bracket Assembly, rear license plate		Japan	A138B0155F	1
07	Bracket, rear license plate	To be confirmed	Gulf States	A138U0044F	1
08	Scrivet			A120W6848F	2
09	Screw M6 x 35, btn skt hd		Coupe	A132W7004F	2
09a	Screw M6 x 16, hex flg hd		Roadster	A918W5208F	2
10	Screw M5 x 16, pan pozi			A082W5184F	3
11	Rawnut M5			A075W6074Z	3
12	Screw M6 x 16 pan torx			A117W2213F	2
13	Double Sided Tape			A117B6043V	1
14	Spacer, front splitter		Coupe	A138B0305F	2
15	Washer M6 x 25 x 1.4		Coupe	A082W4131F	2
16	Screw M6 x 16 btn cap s/s blk			A082W7105F	4
17	Washer M6 x 15 x 1.5 s/s blk			A082W4133F	4

EXIGE

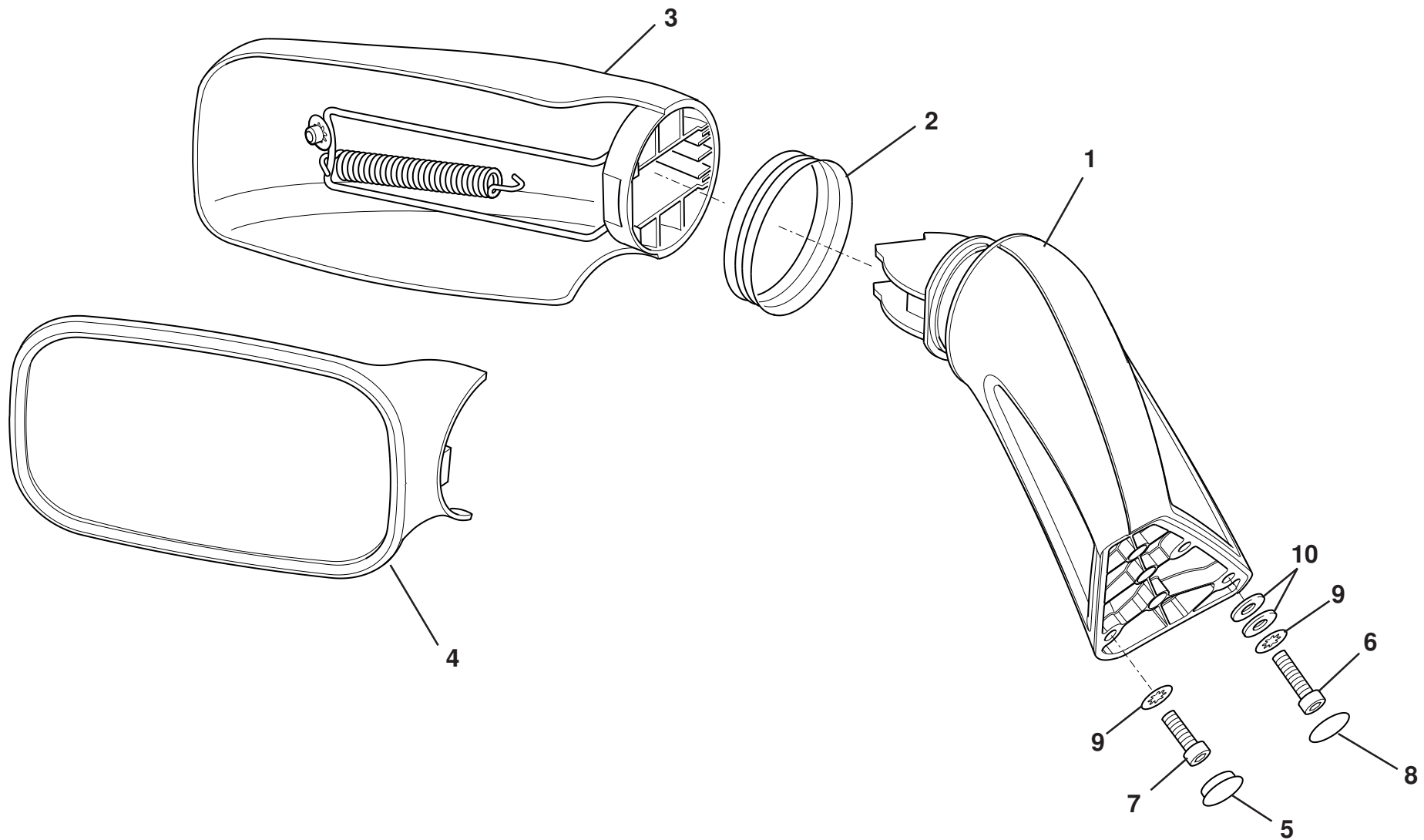
---

**Function Code 12.07 Licence Plate Mountings**

<u>Dep</u>	<u>Part Description</u>	<u>Remarks</u>	<u>Option</u>	<u>Part Number</u>	<u>Qty</u>
18	Rivet, black plastic			A082W6528F	3

---





**EXIGE**

12.09

*Updated 1st July 2013*

# Service Parts List

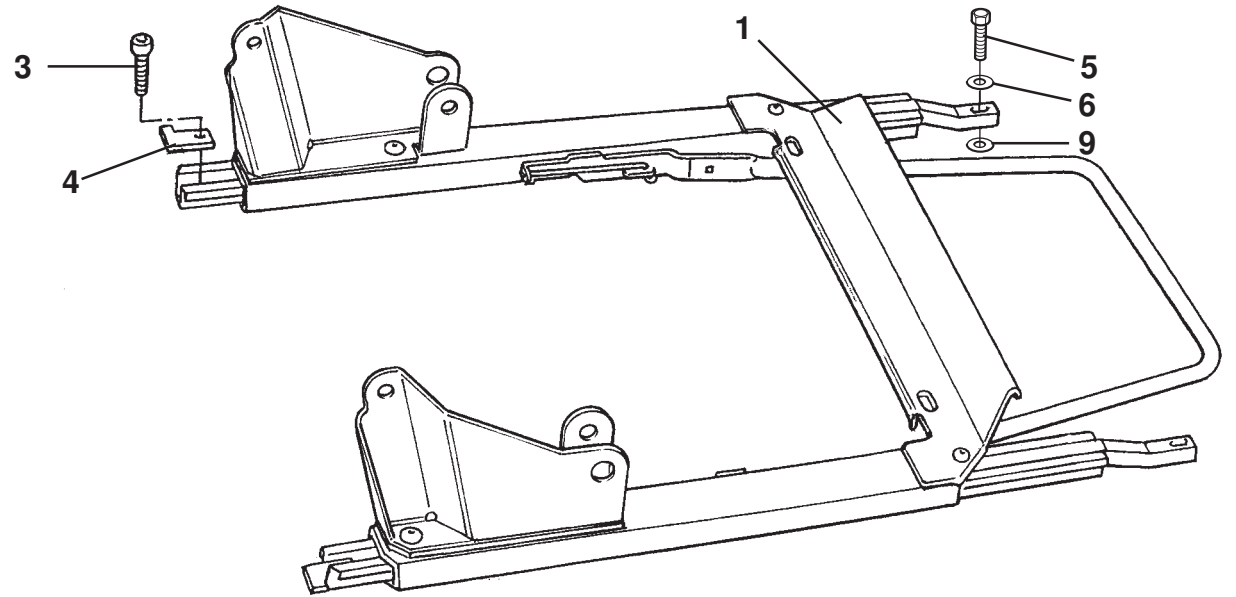
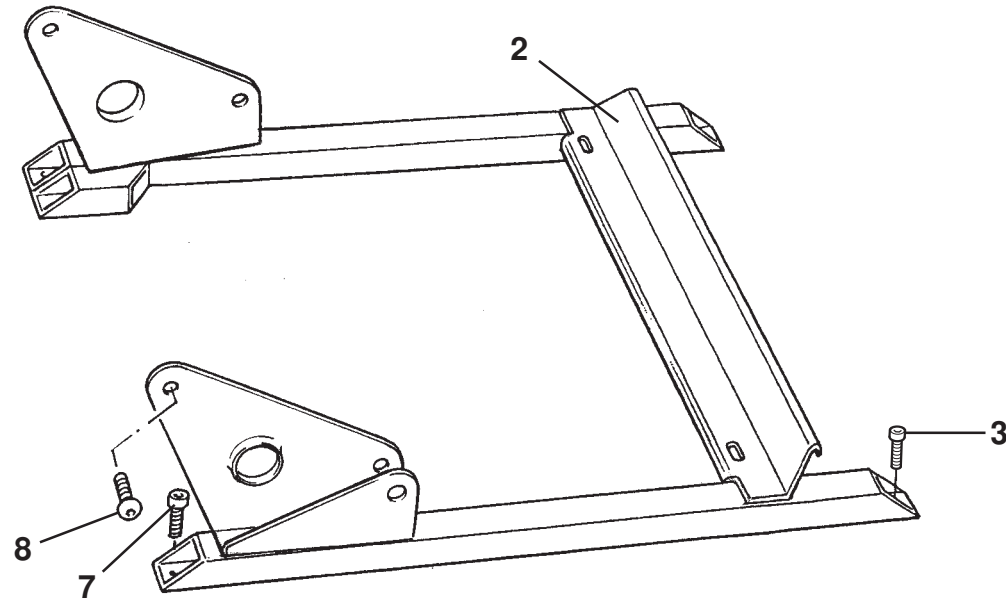
# EXIGE



## Function Code 12.09 Exterior Driving Mirrors

<u>Dep</u>	<u>Part Description</u>	<u>Remarks</u>	<u>Option</u>	<u>Part Number</u>	<u>Qty</u>
01	Plinth Mirror Assembly LH, bonded	Not painted		A138U4013F	1
01a	Plinth Mirror Assembly RH, bonded	Not painted		A138U4014F	1
01b	Plinth Mirror Assembly LH, bonded	Carbon effect	Exige Sport 380	A138B4449J	1
01c	Plinth Mirror Assembly RH, bonded	Carbon effect	Exige Sport 380	A138B4448J	1
02	Bellows, mirror to plinth			A111U6032F	2
03	Mirror Housing	Not painted	RH & LH	A138U0030F	2
03a	Mirror Housing LH	Carbon effect	Exige Sport 380	A138U4065L	1
03b	Mirror Housing RH	Carbon effect	Exige Sport 380	A138U4066L	1
04	Glass, convex		RH & LH	B111U6046F	2
04a	Glass Assembly, flat		Gulf States LH	A111U6039F	1
04b	Glass Assembly, convex, arabic text		Gulf States RH	A121B0157F	1
05	Blanking Plug, dia 9.5 black, door holes covering			A124W6857F	2
06	Screw, M5 x 16, cap hd.		Forward fixings	A117W7216F	4
07	Screw, M5 x 12, cap hd., plinth to door		Rearward fixings	A111W7183F	2
08	Blanking Decal, 20mm, door holes covering			A111V0206F	4
09	Washer, internal shakeproof, M5, plinth to door			A075W4046Z	6
10	Washer, flat, M5, plinth to door			A075W4011Z	8

EXIGE



**EXIGE**

13.01

*Updated 1st April 2014*

# Service Parts List

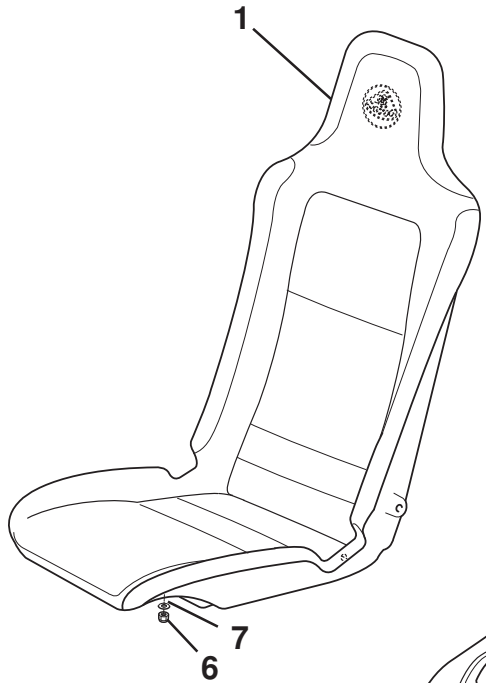
# EXIGE



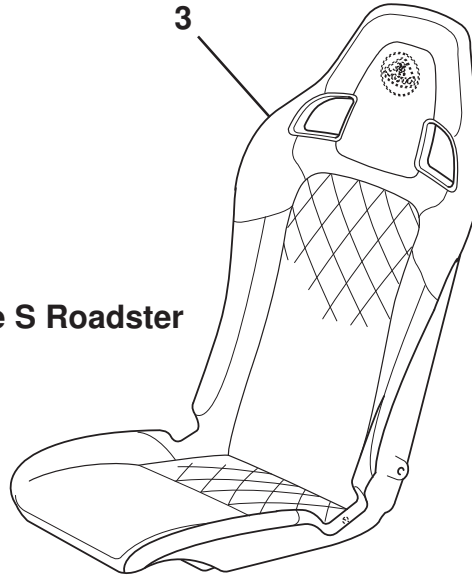
## Function Code 13.01 Seat Runners

<u>Dep</u>	<u>Part Description</u>	<u>Remarks</u>	<u>Option</u>	<u>Part Number</u>	<u>Qty</u>
01	Seat Runners, driver, RHD, LHD			A120B0155F	1
02	Seat Mounting Frame, passenger, RHD			A120B0168F	1
02a	Seat Mounting Frame, passenger, LHD			A120B0169F	1
03	Screw, M8 x 22, cap hd., runner rear/mtg. frame front fix.			A120W5284F	4
04	Stop, seat runner			A138V0324F	2
04a	Stop, seat runner	To be confirmed	Gulf States	A138V0644K	2
05	Screw, M8 x 25, hex. hd. black, runner front fix.			B075W1039Z	2
06	Washer, flat, M8 x 16.6 x 1.4, runner front fix.			A075W4020Z	2
07	Screw, M8 x 16, cap hd., mounting frame rear fix.			A111W7125F	2
08	Screw, M8 x 12, button hd., side brackets to seat			A111W7131F	4
09	Washer, flat, M8 x 20.5 x 1.4, drivers seat runner			A082W4165F	3
10	Seat Mounting Bracket set, fixed seats, FIA approved	Track only option		A128U0047S	2

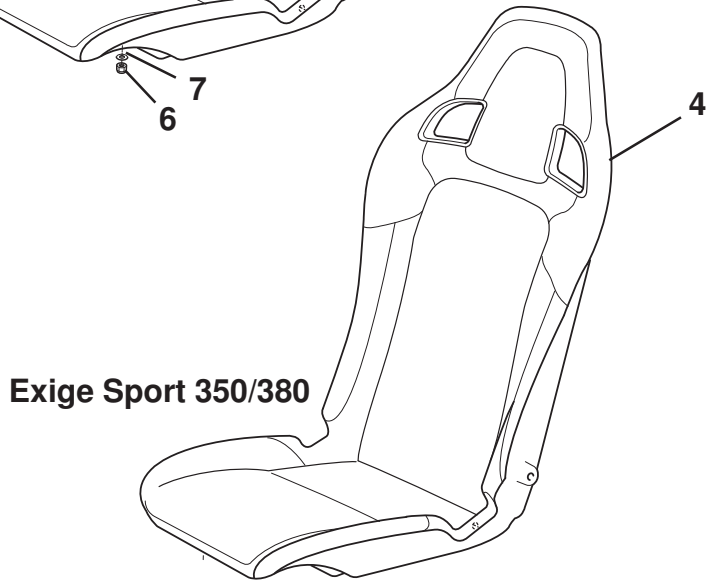
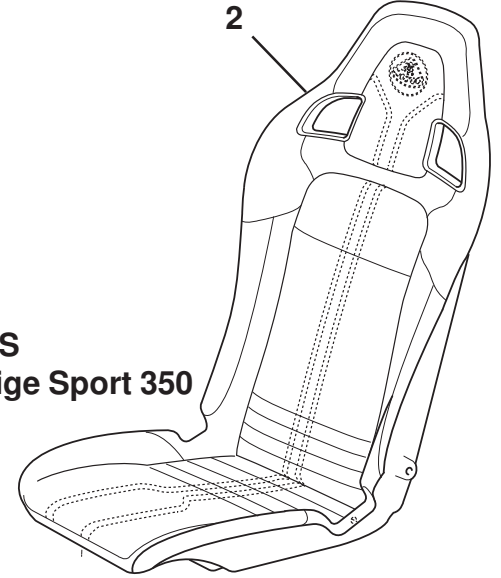
EXIGE



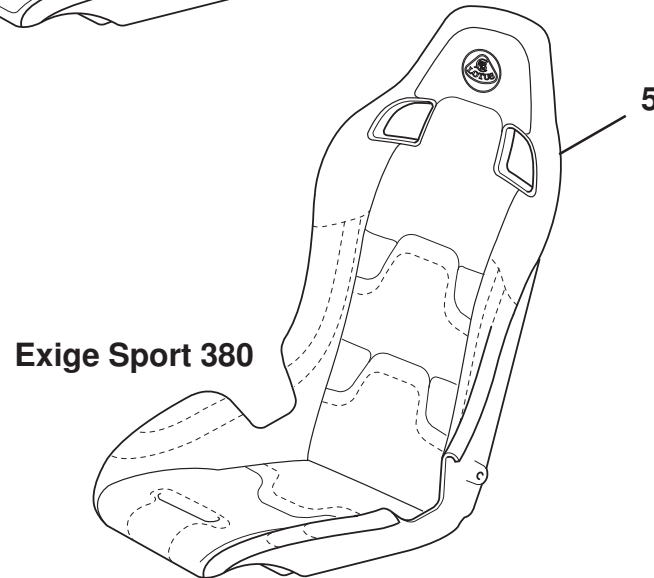
**Exige S Roadster**



**Coupe Exige S  
all Models Exige Sport 350**



**Exige Sport 350/380**



**Exige Sport 380**

**EXIGE**

**13.02**

*Updated 2nd May 2017*

# Service Parts List

# EXIGE



## Function Code 13.02 Seat Assemblies, front

<u>Dep</u>	<u>Part Description</u>	<u>Remarks</u>	<u>Option</u>	<u>Part Number</u>	<u>Qty</u>
01	Front Seat Assembly, base		Black cloth	<b>A120V0508S</b>	2
01a	Front Seat Assembly, base, heated		Black cloth	<b>A138V0447S</b>	2
02	Front Seat Assembly, sport/premium	Black stitching	Black leather	<b>A138V0456S</b>	2
02a	Front Seat Assembly, sport/premium, heated	Black stitching	Black leather	<b>A138V0457S</b>	2
02b	Front Seat Assembly, sport	Red stitching	Black leather	<b>A138V0458S</b>	2
02c	Front Seat Assembly, sport, heated	Red stitching	Black leather	<b>A138V0459S</b>	2
02d	Front Seat Assembly, sport	Yellow stitching	Black leather	<b>A138V0460S</b>	2
02e	Front Seat Assembly, sport, heated	Yellow stitching	Black leather	<b>A138V0461S</b>	2
02f	Front Seat Assembly, sport	Silver stitching	Black leather	<b>A138V0462S</b>	2
02g	Front Seat Assembly, sport, heated	Silver stitching	Black leather	<b>A138V0463S</b>	2
02h	Front Seat Assembly, sport	Black stitching	Suedetex/black leather	<b>A138V0448S</b>	2
02i	Front Seat Assembly, sport, heated	Black stitching	Suedetex/black leather	<b>A138V0449S</b>	2
02j	Front Seat Assembly, sport	Red stitching	Suedetex/black leather	<b>A138V0450S</b>	2
02k	Front Seat Assembly, sport, heated	Red stitching	Suedetex/black leather	<b>A138V0451S</b>	2
02l	Front Seat Assembly, sport	Yellow stitching	Suedetex/black leather	<b>A138V0452S</b>	2
02m	Front Seat Assembly, sport, heated	Yellow stitching	Suedetex/black leather	<b>A138V0453S</b>	2
02n	Front Seat Assembly, sport	Silver stitching	Suedetex/black leather	<b>A138V0454S</b>	2
02o	Front Seat Assembly, sport, heated	Silver stitching	Suedetex/black leather	<b>A138V0455S</b>	2

EXIGE

**Function Code 13.02 Seat Assemblies, front**

<u>Dep</u>	<u>Part Description</u>	<u>Remarks</u>	<u>Option</u>	<u>Part Number</u>	<u>Qty</u>
02p	Front Seat Assembly, premium		Ivory white leather	<b>A138V0464S</b>	2
02q	Front Seat Assembly, premium, heated		Ivory white leather	<b>A138V0465S</b>	2
02r	Front Seat Assembly, premium		Cognac brown leather	<b>A138V0466S</b>	2
02s	Front Seat Assembly, premium, heated		Cognac brown leather	<b>A138V0467S</b>	2
02t	Front Seat Assembly, premium		Venom red leather	<b>A138V0468S</b>	2
02u	Front Seat Assembly, premium, heated		Venom red leather	<b>A138V0469S</b>	2
02v	Front Seat Assembly, premium	Not Available	Imperial blue leather	<b>A138V0470S</b>	2
02w	Front Seat Assembly, premium, heated	Not Available	Imperial blue leather	<b>A138V0471S</b>	2
02x	Front Seat Assembly, premium		Cocoa brown leather	<b>A138V0472S</b>	2
02y	Front Seat Assembly, premium, heated		Cocoa brown leather	<b>A138V0473S</b>	2
02z	Front Seat Assembly, premium		Ash gray leather	<b>A138V0474S</b>	2
02az	Front Seat Assembly, premium, heated		Ash gray leather	<b>A138V0475S</b>	2
02bz	Front Seat Assembly, sport, 'CR' white seat hoops	Silver stitching,	Exige S Clubracer,black leather	<b>TBC</b>	2
02cz	Front Seat Assembly, sport, 'CR' white seat hoops	Silver stitching	Exige S Clubracer, suedetex/black leather	<b>TBC</b>	2
02dz	Front Seat Assembly, sport, 'CR' black seat hoops	Silver stitching	Exige S Clubracer, black leather	<b>TBC</b>	2
02ez	Front Seat Assembly, sport, 'CR' black seat hoops	Silver stitching	Exige S Clubracer, suedetex/black leather	<b>TBC</b>	2
02fz	Front Seat Assembly, sport, 'CR' yellow seat hoops	Yellow stitching	Exige S Clubracer, black leather	<b>TBC</b>	2



**Function Code 13.02 Seat Assemblies, front**

<u>Dep</u>	<u>Part Description</u>	<u>Remarks</u>	<u>Option</u>	<u>Part Number</u>	<u>Qty</u>
02gz	Front Seat Assembly, sport, 'CR' yellow seat hoops	Yellow stitching	Exige S Clubracer, suedetex/black leather	TBC	2
02hz	Front Seat Assembly, sport, 'CR' orange seat hoops	Orange stitching	Exige S Clubracer, black leather	TBC	2
02iz	Front Seat Assembly, sport, 'CR' orange seat hoops	Orange stitching	Exige S Clubracer, suedetex/black leather	TBC	2
02jz	Front Seat Assembly	State colour of seat hoops when ordering	Red leather, Exige 350 Sport	A120V0618S	2
02kz	Front Seat Assembly	State colour of seat hoops when ordering	Tan leather, Exige 350 Sport	A120V0619S	2
02lz	Front Seat Assembly	State colour of seat hoops when ordering	Black alcantara, Exige 350 Sport	A120V0620S	2
02mz	Front Seat Assembly	State colour of seat hoops when ordering	Red alcantara, Exige 350 Sport	A120V0621S	2
03	Front Seat Assembly, sport/premium	Quilted, Black stitching	Black leather	A138V0476S	2
03a	Front Seat Assembly, sport/premium, heated	Quilted, Black stitching	Black leather	A138V0477S	2
03b	Front Seat Assembly, sport	Quilted, Red stitching	Black leather	A138V0478S	2
03c	Front Seat Assembly, sport, heated	Quilted, Red stitching	Black leather	A138V0479S	2
03d	Front Seat Assembly, sport	Quilted, Yellow stitching	Black leather	A138V0480S	2
03e	Front Seat Assembly, sport, heated	Quilted, Yellow stitching	Black leather	A138V0481S	2
03f	Front Seat Assembly, sport	Quilted, Silver stitching	Black leather	A138V0482S	2
03g	Front Seat Assembly, sport, heated	Quilted, Silver stitching	Black leather	A138V0483S	2
03h	Front Seat Assembly, sport	Quilted, Black stitching	Suedetex/black leather	A138V0484S	2





**Function Code 13.02 Seat Assemblies, front**

<u>Dep</u>	<u>Part Description</u>	<u>Remarks</u>	<u>Option</u>	<u>Part Number</u>	<u>Qty</u>
03i	Front Seat Assembly, sport, heated	Quilted, Black stitching	Suedetex/black leather	<b>A138V0485S</b>	2
03j	Front Seat Assembly, sport	Quilted, Red stitching	Suedetex/black leather	<b>A138V0486S</b>	2
03k	Front Seat Assembly, sport, heated	Quilted, Red stitching	Suedetex/black leather	<b>A138V0487S</b>	2
03l	Front Seat Assembly, sport	Quilted, Yellow stitching	Suedetex/black leather	<b>A138V0488S</b>	2
03m	Front Seat Assembly, sport, heated	Quilted, Yellow stitching	Suedetex/black leather	<b>A138V0489S</b>	2
03n	Front Seat Assembly, sport	Quilted, Silver stitching	Suedetex/black leather	<b>A138V0490S</b>	2
03o	Front Seat Assembly, sport, heated	Quilted, Silver stitching	Suedetex/black leather	<b>A138V0491S</b>	2
03p	Front Seat Assembly, premium	Quilted	Ivory white leather	<b>A138V0492S</b>	2
03q	Front Seat Assembly, premium, heated	Quilted	Ivory white leather	<b>A138V0493S</b>	2
03r	Front Seat Assembly, premium	Quilted	Cognac brown leather	<b>A138V0494S</b>	2
03s	Front Seat Assembly, premium, heated	Quilted	Cognac brown leather	<b>A138V0495S</b>	2
03t	Front Seat Assembly, premium	Quilted	Venom red leather	<b>A138V0496S</b>	2
03u	Front Seat Assembly, premium, heated	Quilted	Venom red leather	<b>A138V0497S</b>	2
03v	Front Seat Assembly, premium	Quilted, Not Available	Imperial blue leather	<b>A138V0498S</b>	2
03w	Front Seat Assembly, premium, heated	Quilted, Not Available	Imperial blue leather	<b>A138V0499S</b>	2
03x	Front Seat Assembly, premium	Quilted	Cocoa brown leather	<b>A138V0500S</b>	2
03y	Front Seat Assembly, premium, heated	Quilted	Cocoa brown leather	<b>A138V0501S</b>	2
03z	Front Seat Assembly, premium	Quilted	Ash gray leather	<b>A138V0502S</b>	2
03az	Front Seat Assembly, premium, heated	Quilted	Ash gray leather	<b>A138V0503S</b>	2
04	Front Seat Assembly	State colour of seat hoops when ordering	Yellow tartan, Exige 350 Sport	<b>A120V0623S</b>	2



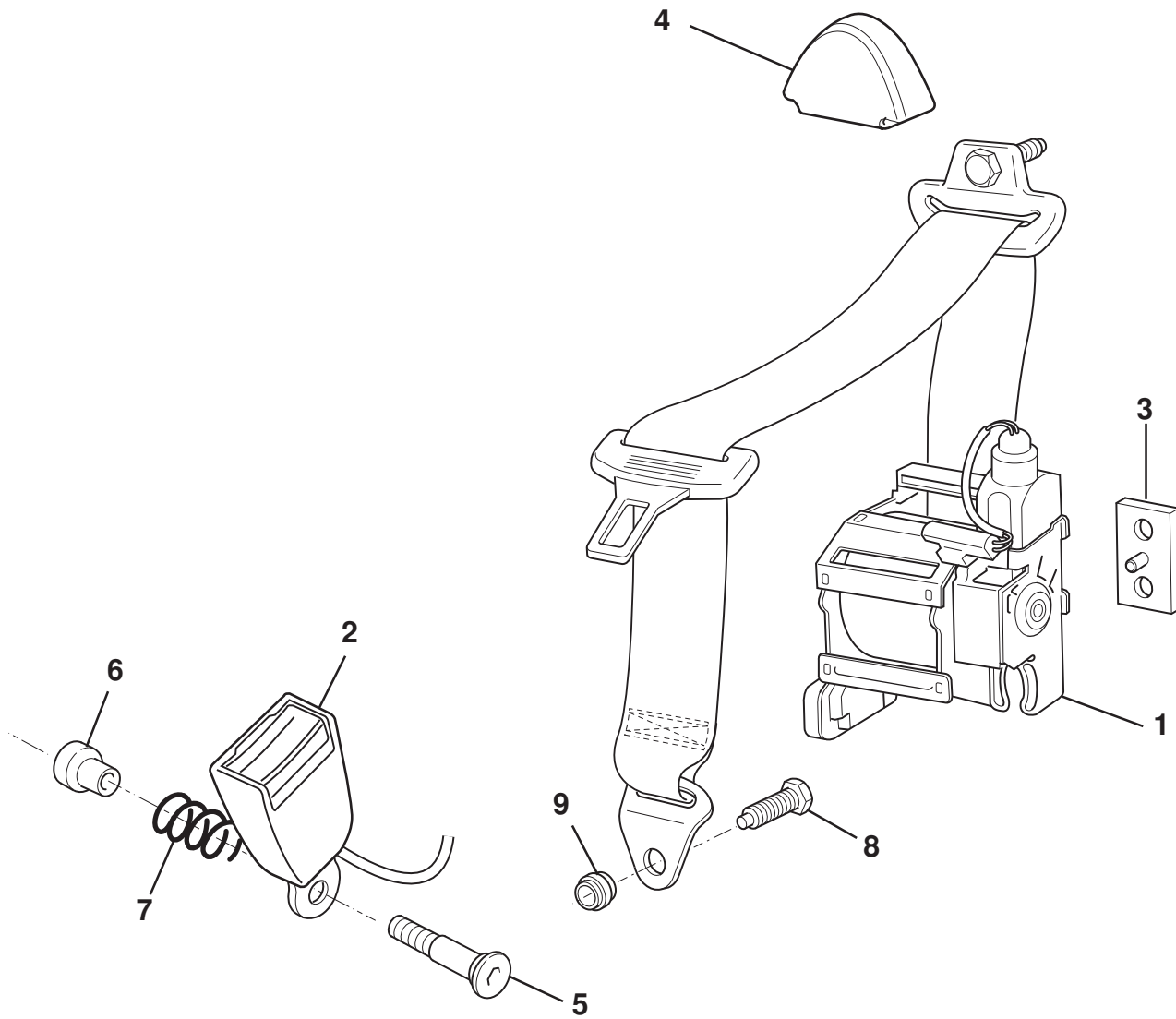
---

**Function Code 13.02 Seat Assemblies, front**

<u>Dep</u>	<u>Part Description</u>	<u>Remarks</u>	<u>Option</u>	<u>Part Number</u>	<u>Qty</u>
04a	Front Seat Assembly	State colour of seat hoops when ordering	Red tartan, Exige 350 Sport	<b>A120V0622S</b>	2
04b	Front Seat Assembly, carbon	State colour of seat hoops when ordering	Yellow tartan, Exige 380 Sport		2
04c	Front Seat Assembly, carbon	State colour of seat hoops when ordering	Red tartan, Exige 380 Sport		2
05	Front Seat Assembly, carbon	Red stitching, state colour of seat hoops when ordering	Black alcantara, Exige 380 Sport		2
05	Front Seat Assembly, carbon	Yellow stitching, state colour of seat hoops when ordering	Black alcantara, Exige 380 Sport		2
06	Nyloc Nut, M8, seat to runner/frame			<b>A075W3010Z</b>	8
07	Washer flat, M8 x 17 x 1.6, seat to runner/frame			<b>A075W4020Z</b>	8

---





**EXIGE**

13.27

*Updated 6th June 2012*

# Service Parts List

# EXIGE



## Function Code 13.27 Seat Belts, front

<u>Dep</u>	<u>Part Description</u>	<u>Remarks</u>	<u>Option</u>	<u>Part Number</u>	<u>Qty</u>
01	Seat Belt Assembly, retractor, airbag, driver			B121B0013F	1
01a	Seat Belt Assembly, retractor, airbag, passenger			B121B0014F	1
02	Buckle, seat belt		Common	A120B0026F	2
02a	Buckle, seat belt, switched	With lead and connector	Japan + airbag driver	A120B0025F	2
03	Spacer Block, belt to bracket			A121U0008F	2
04	Cover Assembly, upper anchorage			A116U6007S	2
05	Bolt, 7/16" UNF, csk., skt., hd., seat belt buckle			B121W2209F	2
06	Spacer, stepped, seat belt buckle			A121B0045F	2
07	Spring, seat belt buckle			A111U6016F	2
08	Bolt, shoulder, 7/16", seat belt fixing			B121W2210F	2
09	Spacer, 19.0 dia. x 12.5mm, seat belt fixing			A121W6782F	2

EXIGE



# Service Parts List

# EXIGE



## Function Code 14.01 Pedal Box, Pedals, Throttle Control

<u>Dep</u>	<u>Part Description</u>	<u>Remarks</u>	<u>Option</u>	<u>Part Number</u>	<u>Qty</u>
01	Assembly Pedal box LHD	Includes clutch master cylinder		A138J0105J	1
01a	Assembly Pedal box RHD	Includes clutch master cylinder		A138J0106J	1
01b	Assembly Pedal box	TBC	Auto	A138J0107J	1
02	Bracket Pedal box			A138J0023F	1
03	Brake Shaft Fixing Plate			A116J0042H	1
04	Brake TMC Plate			A138J0025F	1
05	Screw M5 x 30 hex flg			A120J6017F	1
06	Nut M5 hex flg			A138W3003F	1
07	Shaft Pedal			A116J0043H	1
08	Clutch Pedal Assembly	Includes pad and clevis bearing		A138Q0016F	1
09	Brake Pedal Assembly LHD	Includes pad and bush bearing		A138J4075K	1
09a	Brake Pedal Assembly RHD	Includes pad and bush bearing		A138J4076K	1
09a	Brake Pedal Assembly	TBC	Auto	A138J0108H	1
10	Electronic Throttle			A116J0003L	1
11	Bearing 20mm flanged			A111J6018F	4
12	Screw M6 x 16 hex flg			A132J6025F	6
13	Bolt M8 x 40 hex flg			A138W2008F	3
14	Nut M8 hex flg			A132W3006F	3

EXIGE

**Function Code 14.01 Pedal Box, Pedals, Throttle Control**

<u>Dep</u>	<u>Part Description</u>	<u>Remarks</u>	<u>Option</u>	<u>Part Number</u>	<u>Qty</u>
15	Pedal Pad Throttle			A120J0013H	1
16	Stop Brake			A120J6020F	2
17	Clip, clevis pin retention			A116Q6006H	1
18	Pop Rivet			A116W6654F	6
19	Pedal Pad, clutch & brake			A120J0014H	2
19a	Pedal Pad, brake	TBC	Auto	A120j0064F	1
20	Bracket, clutch pedal potentiometer			A138Q0015F	1
21	Potentiometer, clutch			A132J0107H	1
22	Screw, M4 x 10, cap hd., potentiometer to bracket			A126W5320F	1
23	Pop Rivet, bracket to pedal box			A132W6024F	2
24	Spring, brake pedal return			A120J6006F	2
25	Clevis Pin, brake pedal to pushrod LHD			A138J0093G	1
25a	Clevis Pin, brake pedal to pushrod RHD			A138J0094G	1
25b	Clevis Pin, brake pedal to pushrod LHD	TBC	Auto	A138J0120K	1
25c	Clevis Pin, brake pedal to pushrod RHD	TBC	Auto	A138J0121K	1
26	Clevis Pin, clutch pedal to pushrod			A120Q0008H	1
27	Spacer, brake pedal	1 off RHD manual & auto, 2 off LHD manual, 3 off LHD auto		A138J0090K	1
28	Bracket, switch			A120J0119F	1
29	Clip, clevis pin retention			A132J6031F	1
30	Bracket, clutch/brake return springs to chassis			D116Q0014F	1



Function Code: 14.01, Page: 2

*Updated 3rd January 2017*

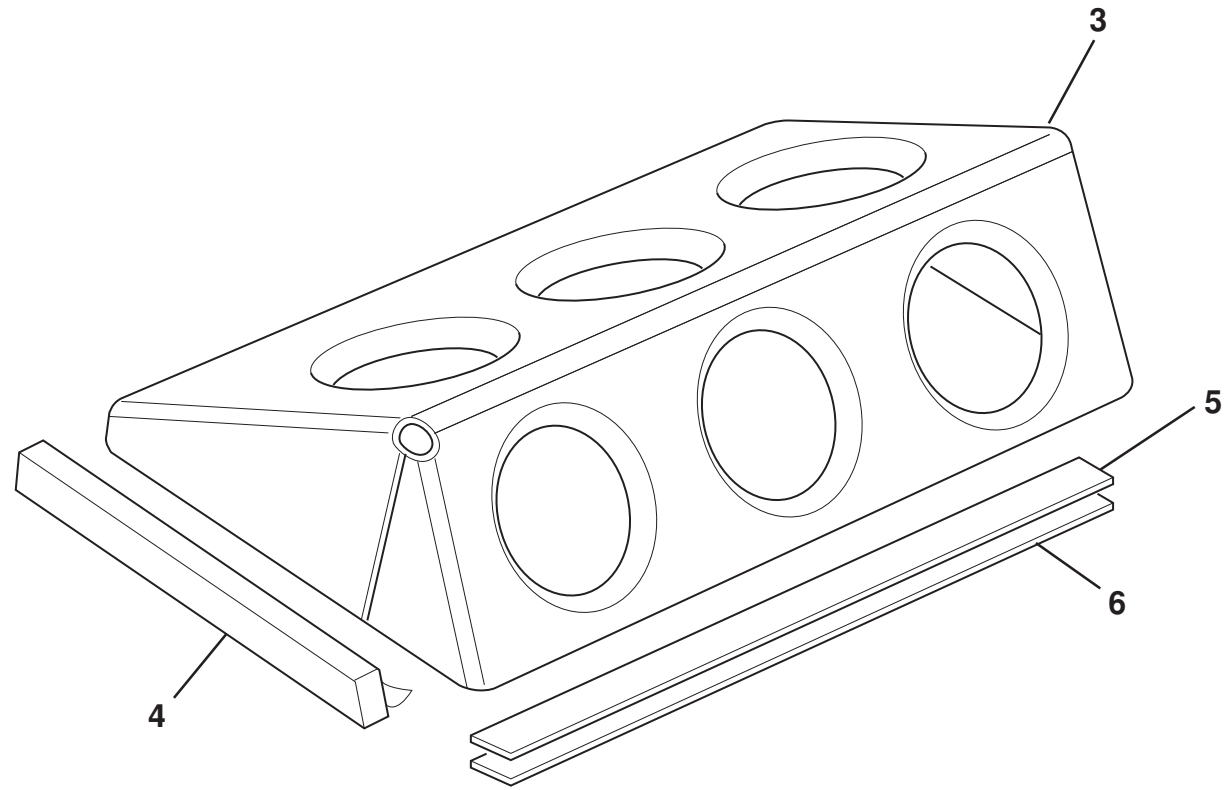
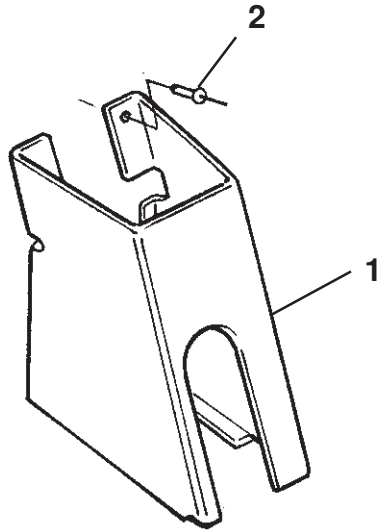
---

**Function Code 14.01 Pedal Box, Pedals, Throttle Control**

<u>Dep</u>	<u>Part Description</u>	<u>Remarks</u>	<u>Option</u>	<u>Part Number</u>	<u>Qty</u>
31	Pop Rivet, bracket to chassis			A075W6068Z	2
32	Switch. Stoplight			A116J6034F	1
33	Pop Rivet			A075W6068Z	2
34	Push Rod Assembly, brake booster			A138J0089J	1
35	Locknut M10			A075W3024Z	1
36	Clevis Pin Bearing, pin to clutch pedal			A138Q0018H	1
37	Bush Bearing Split, brake pedal			A138J6002H	1

---





**EXIGE**

14.03

*Updated 1st December 2014*

# Service Parts List

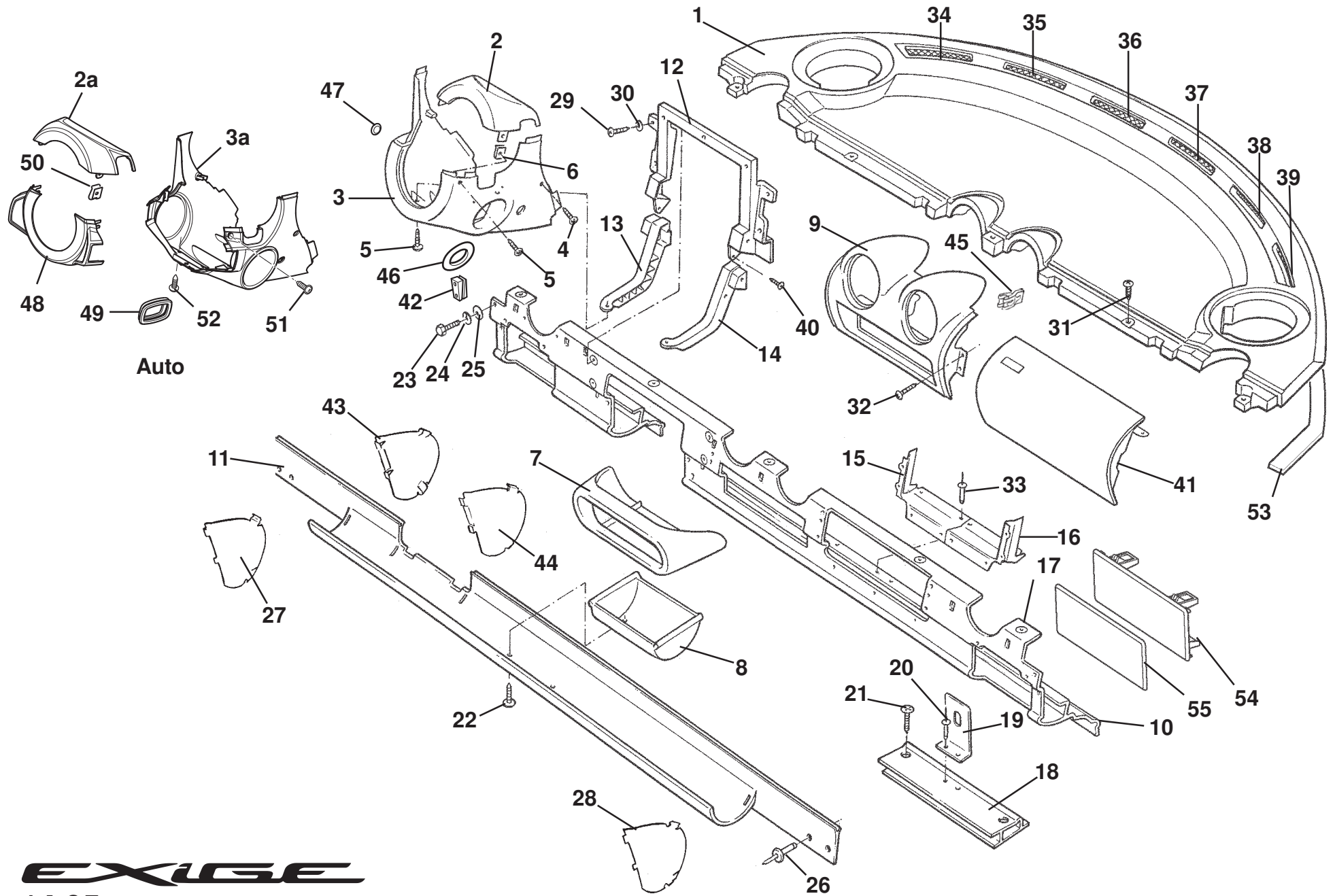
# EXIGE



## Function Code 14.03 Footrests

<u>Dep</u>	<u>Part Description</u>	<u>Remarks</u>	<u>Option</u>	<u>Part Number</u>	<u>Qty</u>
01	Driver Footrest, RHD			C120U0007F	1
01a	Driver Footrest, LHD			A111A0104F	1
02	Pop Rivet, footrest RHD to chassis			A111W6613F	4
03	Passenger Footrest RHD			A120U0008F	1
03a	Passenger Footrest Assembly, LHD			B111A0102J	1
04	Foam Seal, 25 x 12.5			A082U6065V	1.0M
05	Grip-Lok, self adhesive, hook			A111V6020V	1.0M
06	Grip-Lok, self adhesive, loop			A111V6019V	1.0M

EXIGE



Auto

**EXIGE**

14.05

*Updated 3rd January 2017*

# Service Parts List

# EXIGE



## Function Code 14.05 Fascia Structure & Supporting Hardware

<u>Dep</u>	<u>Part Description</u>	<u>Remarks</u>	<u>Option</u>	<u>Part Number</u>	<u>Qty</u>
01	Fascia Top Panel			B124U0124F	1
01a	Fascia Top Panel		Exige S Premium, black leather	B138V0509F	1
02	Column Cowl, upper, senosoft, black			C121U0173F	1
02a	Column Cowl, upper, senosoft, black	To be confirmed	Auto	A120V0425F	1
03	Column Cowl, lower, with exh valve button, senosoft, black			A138V0099F	1
03a	Column Cowl, lower, with exh valve buttons, senosoft, black	To be confirmed	Auto	B120V0423F	1
04	Screw, self tap., No. 8 x 3/4", lower cowl to bracket			A075W5074Z	2
05	Screw, self tap., No. 6 x 0.5", lower to upper cowl			A075W5020Z	4
06	Spirenut, No. 8, lower to upper cowl			A075W6016Z	2
07	Panel, heater control mounting, senosoft, black			A138V0221F	1
07a	Panel, heater control mounting		Black leather	A138V0513F	1
08	Support, heater control panel mounting			A121U0071F	1
09	Mounting Assembly, centre FLV, senosoft, black			A138V0113F	1
09a	Mounting Assembly, centre FLV		Black leather	A138V0510F	1
09b	Mounting Assembly, centre FLV	Red stitching	Black leather		1
09c	Mounting Assembly, centre FLV	Yellow stitching	Black leather		1
10	Dash Panel Upper, LHD			G121U0041F	1
10a	Dash Panel Upper, RHD			F121U0042F	1

EXIGE

**Function Code 14.05 Fascia Structure & Supporting Hardware**

<u>Dep</u>	<u>Part Description</u>	<u>Remarks</u>	<u>Option</u>	<u>Part Number</u>	<u>Qty</u>
11	Dash Panel Lower/Stowage Shelf, LHD			B121U0115F	1
11a	Dash Panel Lower/Stowage Shelf, RHD			B121U0116F	1
12	Bracket, instrument pack mounting			C121U0101F	1
13	Mounting Bracket, column shroud, LH			B121U0087F	1
14	Mounting Bracket, column shroud, RH			A121U0088F	1
15	Chute, PAB aperture, LH			B121U0141K	1
16	Chute, PAB aperture, RH			B121U0142K	1
17	Captive Plastic Nut			A120W3186F	16
18	Radio Support Extrusion			A121U0081F	1
19	Bracket, radio support, rear			B121U00100F	1
20	Pop Rivet, bracket to extrusion			A100W6397F	2
21	Screw, No. 10 x 1/2", extrusion to chassis			A075W5040Z	2
22	Screw, No. 10 x 1/2", support to panel			A075W5040Z	2
23	Screw, M6 x 25, hex. hd., dash panel upper to body			A075W1031F	4
24	Washer, spring, M6, dash panel upper to body			A075W4035Z	4
25	Washer, flat, M6 x 12.1 x 1.4, dash panel upper to body			A075W4013F	4
26	Pop Rivet, dash panel lower to chassis			A085W6259F	4
27	Closing Panel, stowage shelf, LH			A121U0051F	1
28	Closing Panel, stowage shelf, RH			A121U0052F	1
29	Screw, self tap., No. 8 x 3/4", bracket fixing			A075W5074Z	4
30	Washer, M6 x 12.1 x 1.4, bracket fixing			A075W4013F	4



**Function Code 14.05 Fascia Structure & Supporting Hardware**

<u>Dep</u>	<u>Part Description</u>	<u>Remarks</u>	<u>Option</u>	<u>Part Number</u>	<u>Qty</u>
31	Screw, self tap., No. 8 x 3/4", top panel fixing			A075W5074Z	4
32	Screw, self tap., No. 8 x 3/4", mount FLV fixing			A075W5074Z	3
33	Pop Rivet, domed, black, chute to panel			A082W6512F	12
34	Grille, demist, LH outer			A121U0125H	1
35	Grille, demist, LH inner			A121U0127H	1
36	Grille, demist, LH centre			A121U0129H	1
37	Grille, demist, RH centre			A121U0130H	1
38	Grille, demist, RH inner			A121U0128H	1
39	Grille, demist, RH outer			A121U0126H	1
40	Screw, self tap., No. 8 x 3/4", shroud brackets fixing			A075W5074Z	2
41	Cover Assembly, passenger airbag, senosoft, black	Also see 17.35		A138V0151F	1
42	Insert, dash panel to body, LH			A121U0103F	1
42a	Insert, dash panel to body, RH			A121U0104F	1
43	Closing Panel, column cowl, LH			A121U0107F	1
44	Closing Panel, column cowl, RH			A121U0108F	1
45	Clip, FLV centre panel retention			A121U0156S	1
46	Grommet, ignition barrell to column shrouds			B100V6061F	1
47	Plug, dome black, cowl without exh valve button			A138W6008F	1
48	Column Cowl, lower front	To be confirmed	Auto	A120V0424F	1
49	Grommet, paddle shift	To be confirmed	Auto	A138V0647F	1
50	Spirenut, No. 6, lower to upper cowl, senosoft, black			A075W6014Z	3

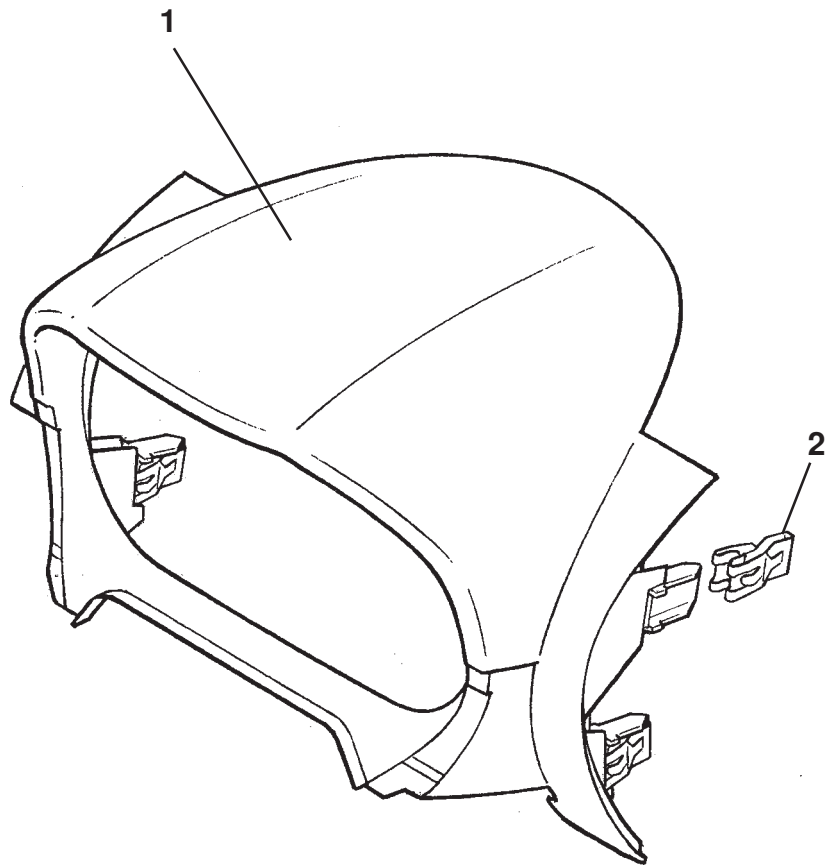


---

**Function Code 14.05 Fascia Structure & Supporting Hardware**

<u>Dep</u>	<u>Part Description</u>	<u>Remarks</u>	<u>Option</u>	<u>Part Number</u>	<u>Qty</u>
51	Screw, self tap., No. 6 x 3/4			A132W5035F	5
52	Screw, self tap., No. 6 x 1/2			A075W5020Z	2
53	Anti Squeak Tape			A132V6050V	1.5m
54	Mounting, banking plate			A120V0625K	1
55	Blanking Panel, radio aperture			A120V0588K	1
55a	Blanking Panel, radio aperture 'EXIGE'			A138V0807F	1





**EXIGE**

14.10



# Service Parts List

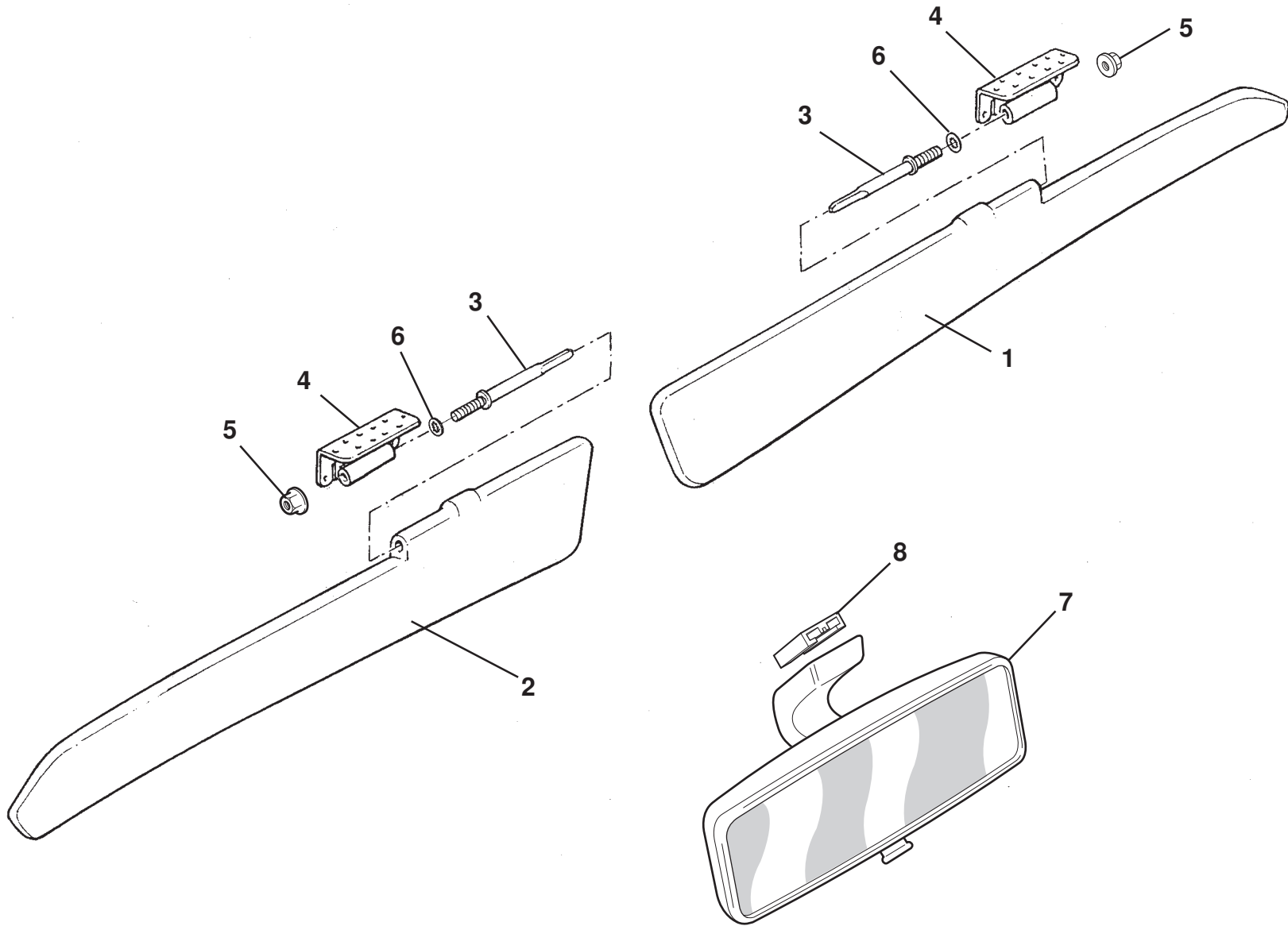
# EXIGE



## Function Code 14.10 Instrument Cowling

<u>Dep</u>	<u>Part Description</u>	<u>Remarks</u>	<u>Option</u>	<u>Part Number</u>	<u>Qty</u>
01	Instrument Cowling,, senosoft black			A138V0217F	1
01a	Instrument Cowling		Black leather	A138V0512F	1
02	Clip, cowling retention	Also for FLV panels (five clips total)		A121U0156S	4

EXIGE



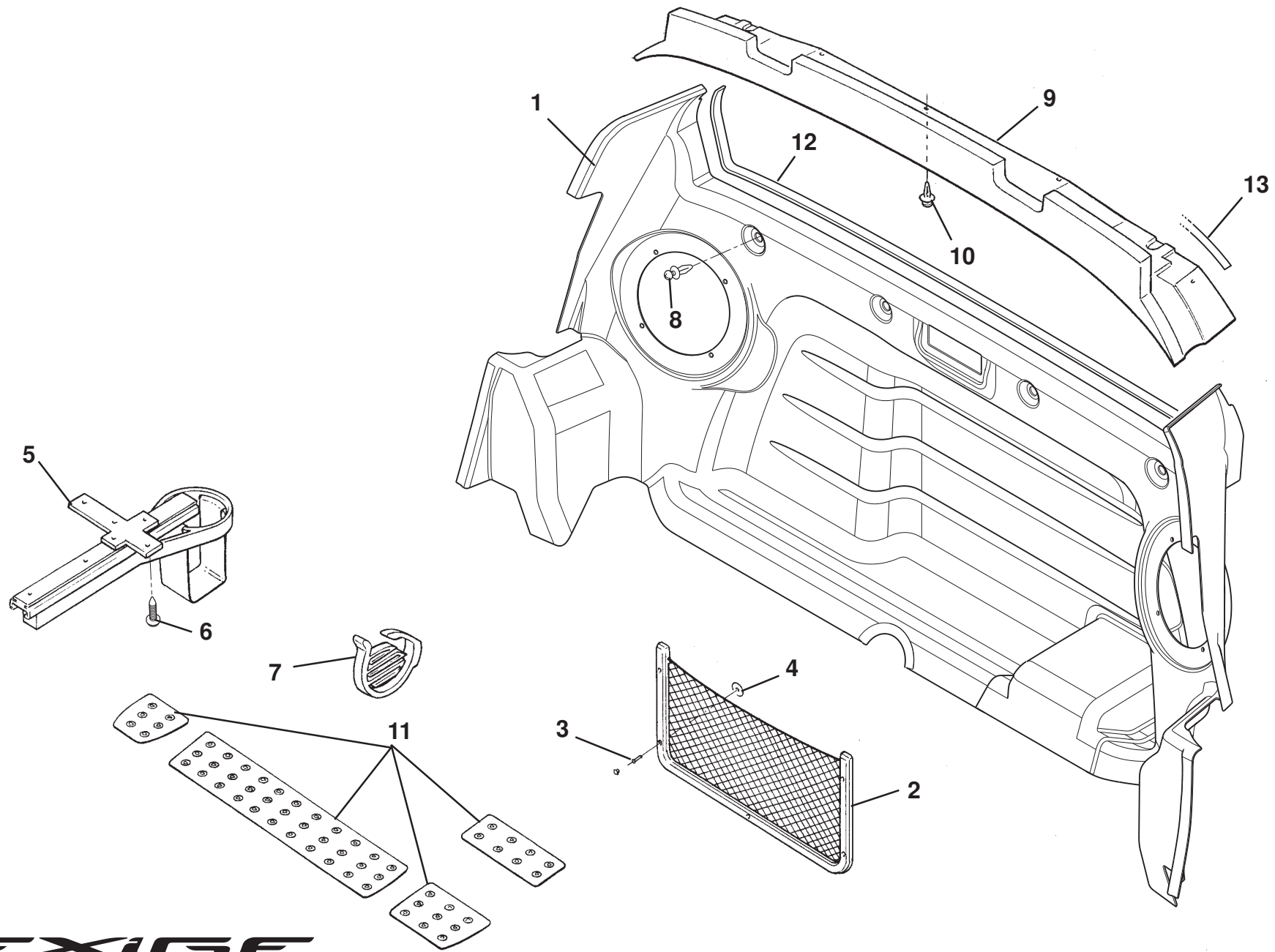
**EXIGE**

15.05

---

**Function Code 15.05 Interior Driving Mirror & Sunvisors**

<u>Dep</u>	<u>Part Description</u>	<u>Remarks</u>	<u>Option</u>	<u>Part Number</u>	<u>Qty</u>
01	Sun Visor, driver, RHD			C117V0710J	1
01a	Sun Visor, driver, LHD			C117V0711J	1
02	Sun Visor, passenger, RHD			C117V0712J	1
02a	Sun Visor, passenger, LHD			C117V0713J	1
03	Pivot Pin, M8, sun visor			A117U0468F	2
04	Bracket, visor to header rail			B117U0419F	2
05	Nut, M8, Kaylock, visor to bracket			A100C6022F	2
06	Washer, M8, shakeproof, pin to bracket			A075W4048Z	2
07	Mirror, interior rear view, 22 cm wide			A120U6009F	1
08	Mounting Plinth, interior mirror			A120U6010F	1
09	Adhesive Kit, mirror mounting plinth	Not illustrated		A116U0194F	1
10	Betaclean 3900, glass preparation	Not illustrated		A100B6008V	1



**EXIGE**

15.11

*Updated 1st July 2013*

# Service Parts List

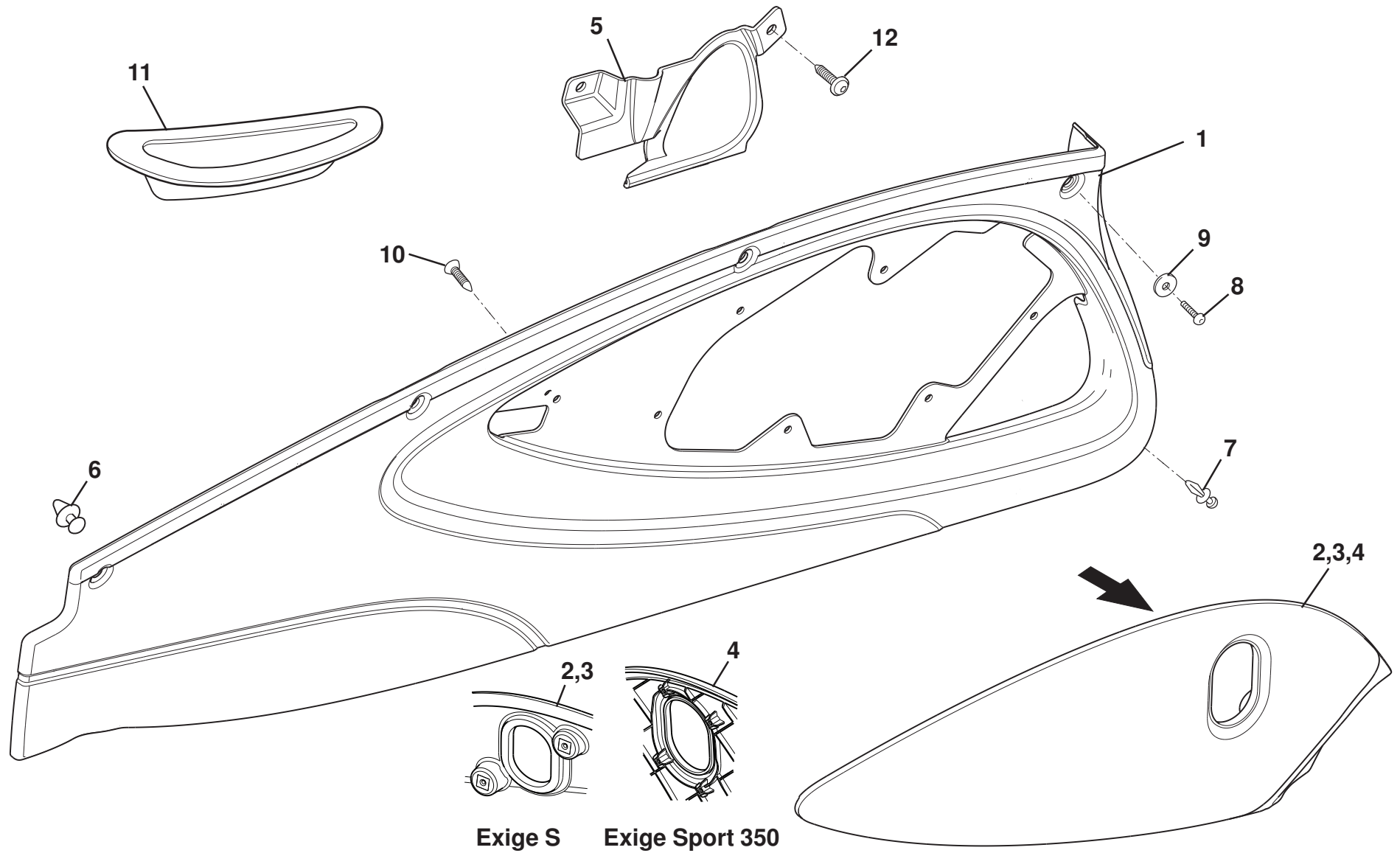
# EXIGE



## Function Code 15.11 Interior Trim & Stowage Provision

<u>Dep</u>	<u>Part Description</u>	<u>Remarks</u>	<u>Option</u>	<u>Part Number</u>	<u>Qty</u>
01	Rear Bulkhead Trim Panel, speakers			A120B0384F	1
01a	Rear Bulkhead Aux/HVAC Trim Panel, speakers	To be confirmed	Gulf States	A138V0613F	1
02	Stowage Net Assembly	Includes finisher plugs, Also fitted to battery cover		A117U6011F	1
03	Pop Rivet, net to panel			A082W6512F	5
04	Washer, flat, 1/8" x 0.75", net to panel			A075W4001Z	5
05	Cup Holder Assembly		Optional	A120U0065J	1
06	Screw, M4 x 12, pan pozi., cup holder to chassis		Optional	A075W5132F	2
07	Divider, stowage tray		Optional	A120U0060F	2
08	Plastic Fastener, trim panel fixing			A100W6391F	6
09	Trim Panel Rear Header			B121U0111F	1
10	Fixing, trim panel rear header			A100W6481F	5
11	Stowage Tray Mat Set, RHD			A120V0240F	1
11a	Stowage Tray Mat Set, LHD			A120V0241F	1
12	Edge Finisher			A111U6034V	1.1m
13	Anti Squeak Tape			A132V6050V	1.8m

EXIGE

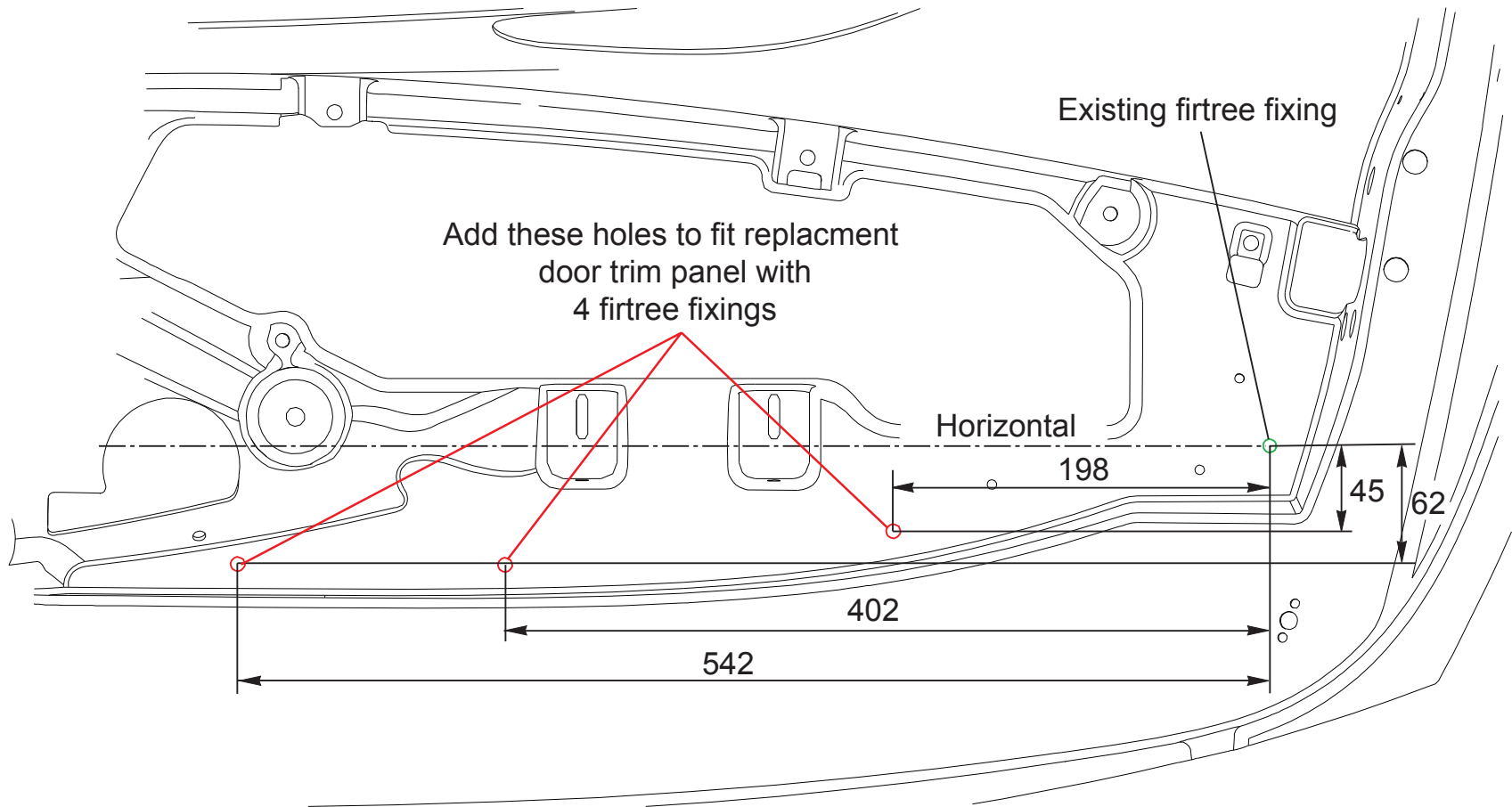


**EXIGE**

**15.13**

*Updated 5th December 2016*

Modifications to door with single firtree fixing for the door trim panel  
to retro fit door trim with extra firtree fixings  
all replacement door trim panels supplied are with 4 firtree fixings



All dimensions in millimetres

# Service Parts List

# EXIGE



## Function Code 15.13 Front Door Trims

<u>Dep</u>	<u>Part Description</u>	<u>Remarks</u>	<u>Option</u>	<u>Part Number</u>	<u>Qty</u>
01	Assembly Door Trim Panel LH	Black stitching	Black leather	<b>A138V4175S</b>	1
01a	Assembly Door Trim Panel RH	Black stitching	Black leather	<b>A138V4176S</b>	1
01b	Assembly Door Trim Panel LH	Red stitching	Black leather	<b>A138V4177S</b>	1
01c	Assembly Door Trim Panel RH	Red stitching	Black leather	<b>A138V4178S</b>	1
01d	Assembly Door Trim Panel LH	Yellow stitching	Black leather	<b>A138V4179S</b>	1
01e	Assembly Door Trim Panel RH	Yellow stitching	Black leather	<b>A138V4180S</b>	1
01f	Assembly Door Trim Panel LH	Silver stitching	Black leather	<b>A138V4181S</b>	1
01g	Assembly Door Trim Panel RH	Silver stitching	Black leather	<b>A138V4182S</b>	1
01h	Assembly Door Trim Panel LH	Orange stitching	Black leather	<b>TBC</b>	1
01i	Assembly Door Trim Panel RH	Orange stitching	Black leather	<b>TBC</b>	1
01j	Assembly Door Trim Panel LH		Ivory white leather	<b>A138V4183S</b>	1
01k	Assembly Door Trim Panel RH		Ivory white leather	<b>A138V4184S</b>	1
01l	Assembly Door Trim Panel LH		Venom red leather	<b>A138V4185S</b>	1
01m	Assembly Door Trim Panel RH		Venom red leather	<b>A138V4186S</b>	1
01n	Assembly Door Trim Panel LH		Cognac brown leather	<b>A138V4187S</b>	1
01o	Assembly Door Trim Panel RH		Cognac brown leather	<b>A138V4188S</b>	1
01p	Assembly Door Trim Panel LH		Cocoa brown leather	<b>A138V4189S</b>	1
01q	Assembly Door Trim Panel RH		Cocoa brown leather	<b>A138V4190S</b>	1

EXIGE



**Function Code 15.13 Front Door Trims**

<u>Dep</u>	<u>Part Description</u>	<u>Remarks</u>	<u>Option</u>	<u>Part Number</u>	<u>Qty</u>
01r	Assembly Door Trim Panel LH		Ash gray leather	<b>A138V4191S</b>	1
01s	Assembly Door Trim Panel RH		Ash gray leather	<b>A138V4192S</b>	1
01t	Assembly Door Trim Panel LH	Not Available	Imperial blue leather	<b>A138V4193S</b>	1
01u	Assembly Door Trim Panel RH	Not Available	Imperial blue leather	<b>A138V4194S</b>	1
01v	Assembly Door Trim Panel LH	Black stitching	Suedetex	<b>A138V4195S</b>	1
01w	Assembly Door Trim Panel RH	Black stitching	Suedetex	<b>A138V4196S</b>	1
01x	Assembly Door Trim Panel LH	Red stitching	Suedetex	<b>A138V4197S</b>	1
01y	Assembly Door Trim Panel RH	Red stitching	Suedetex	<b>A138V4198S</b>	1
01z	Assembly Door Trim Panel LH	Yellow stitching	Suedetex	<b>A138V4199S</b>	1
01az	Assembly Door Trim Panel RH	Yellow stitching	Suedetex	<b>A138V4200S</b>	1
01bz	Assembly Door Trim Panel LH	Silver stitching	Suedetex	<b>A138V4201S</b>	1
01cz	Assembly Door Trim Panel RH	Silver stitching	Suedetex	<b>A138V4202S</b>	1
01dz	Assembly Door Trim Panel LH	Orange stitching		<b>TBC</b>	1
01ez	Assembly Door Trim Panel RH	Orange stitching		<b>TBC</b>	1
01fz	Assembly Door Trim Panel LH		Cloth	<b>A138V4269S</b>	1
01gz	Assembly Door Trim Panel RH		Cloth	<b>A138V4270S</b>	1
01hz	Assembly Door Trim Panel LH		Red leather, Exige Sport 350	<b>TBC</b>	1
01iz	Assembly Door Trim Panel RH		Red leather, Exige Sport 350	<b>TBC</b>	1
01jz	Assembly Door Trim Panel LH		Tan leather, Exige Sport 350	<b>TBC</b>	1
01kz	Assembly Door Trim Panel RH		Tan leather, Exige Sport 350	<b>TBC</b>	1
02	Assembly Door Trim Panel Insert LH	Black stitching	Black leather	<b>A138V4203S</b>	1



**Function Code 15.13 Front Door Trims**

<u>Dep</u>	<u>Part Description</u>	<u>Remarks</u>	<u>Option</u>	<u>Part Number</u>	<u>Qty</u>
02a	Assembly Door Trim Panel Insert RH	Black stitching	Black leather	<b>A138V4204S</b>	1
02b	Assembly Door Trim Panel Insert LH	Red stitching	Black leather	<b>A138V4205S</b>	1
02c	Assembly Door Trim Panel Insert RH	Red stitching	Black leather	<b>A138V4206S</b>	1
02d	Assembly Door Trim Panel Insert LH	Yellow stitching	Black leather	<b>A138V4207S</b>	1
02e	Assembly Door Trim Panel Insert RH	Yellow stitching	Black leather	<b>A138V4208S</b>	1
02f	Assembly Door Trim Panel Insert LH	Silver stitching	Black leather	<b>A138V4209S</b>	1
02g	Assembly Door Trim Panel Insert RH	Silver stitching	Black leather	<b>A138V4210S</b>	1
02h	Assembly Door Trim Panel Insert LH		Ivory white leather	<b>A138V4211S</b>	1
02i	Assembly Door Trim Panel Insert RH		Ivory white leather	<b>A138V4212S</b>	1
02j	Assembly Door Trim Panel Insert LH		Venom red leather	<b>A138V4213S</b>	1
02k	Assembly Door Trim Panel Insert RH		Venom red leather	<b>A138V4214S</b>	1
02l	Assembly Door Trim Panel Insert LH		Cognac brown leather	<b>A138V4215S</b>	1
02m	Assembly Door Trim Panel Insert RH		Cognac brown leather	<b>A138V4216S</b>	1
02n	Assembly Door Trim Panel Insert LH		Cocoa brown leather	<b>A138V4217S</b>	1
02o	Assembly Door Trim Panel Insert RH		Cocoa brown leather	<b>A138V4218S</b>	1
02p	Assembly Door Trim Panel Insert LH		Ash gray leather	<b>A138V4219S</b>	1
02q	Assembly Door Trim Panel Insert RH		Ash gray leather	<b>A138V4220S</b>	1
02r	Assembly Door Trim Panel Insert LH	Not Available	Imperial blue leather	<b>A138V4221S</b>	1
02s	Assembly Door Trim Panel Insert RH	Not Available	Imperial blue leather	<b>A138V4222S</b>	1
02t	Assembly Door Trim Panel Insert LH		Suedetex	<b>A138V4239S</b>	1
02u	Assembly Door Trim Panel Insert RH		Suedetex	<b>A138V4240S</b>	1



**Function Code 15.13 Front Door Trims**

<u>Dep</u>	<u>Part Description</u>	<u>Remarks</u>	<u>Option</u>	<u>Part Number</u>	<u>Qty</u>
02v	Assembly Door Trim Panel Insert LH	Yellow stitching	Exige S Clubracer,black leather	<b>TBC</b>	1
02w	Assembly Door Trim Panel Insert RH	Yellow stitching	Exige S Clubracer,black leather	<b>TBC</b>	1
02x	Assembly Door Trim Panel Insert LH	Silver stitching	Exige S Clubracer,black leather	<b>TBC</b>	1
02y	Assembly Door Trim Panel Insert RH	Silver stitching	Exige S Clubracer,black leather	<b>TBC</b>	1
02z	Assembly Door Trim Panel Insert LH	Orange stitching	Exige S Clubracer,black leather	<b>TBC</b>	1
02az	Assembly Door Trim Panel Insert RH	Orange stitching	Exige S Clubracer,black leather	<b>TBC</b>	1
02bz	Assembly Door Trim Panel Insert LH	Yellow stitching	Exige S Clubracer, suedetex	<b>TBC</b>	1
02cz	Assembly Door Trim Panel Insert RH	Yellow stitching	Exige S Clubracer, suedetex	<b>TBC</b>	1
02dz	Assembly Door Trim Panel Insert LH	Silver stitching	Exige S Clubracer, suedetex	<b>TBC</b>	1
02ez	Assembly Door Trim Panel Insert RH	Silver stitching	Exige S Clubracer, suedetex	<b>TBC</b>	1
02fz	Assembly Door Trim Panel Insert LH	Orange stitching	Exige S Clubracer, suedetex	<b>TBC</b>	1
02gz	Assembly Door Trim Panel Insert RH	Orange stitching	Exige S Clubracer, suedetex	<b>TBC</b>	1
03	Assembly Door Trim Panel Insert LH	Quilted	Black leather	<b>A138V4245S</b>	1
03a	Assembly Door Trim Panel Insert RH	Quilted	Black leather	<b>A138V4246S</b>	1
03b	Assembly Door Trim Panel Insert LH	Quilted	Ivory white leather	<b>A138V4247S</b>	1
03c	Assembly Door Trim Panel Insert RH	Quilted	Ivory white leather	<b>A138V4248S</b>	1
03d	Assembly Door Trim Panel Insert LH	Quilted	Venom red leather	<b>A138V4249S</b>	1



**Function Code 15.13 Front Door Trims**

<u>Dep</u>	<u>Part Description</u>	<u>Remarks</u>	<u>Option</u>	<u>Part Number</u>	<u>Qty</u>
03e	Assembly Door Trim Panel Insert RH	Quilted	Venom red leather	<b>A138V4250S</b>	1
03f	Assembly Door Trim Panel Insert LH	Quilted	Cognac brown leather	<b>A138V4251S</b>	1
03g	Assembly Door Trim Panel Insert RH	Quilted	Cognac brown leather	<b>A138V4252S</b>	1
03h	Assembly Door Trim Panel Insert LH	Quilted	Cocoa brown leather	<b>A138V4253S</b>	1
03i	Assembly Door Trim Panel Insert RH	Quilted	Cocoa brown leather	<b>A138V4254S</b>	1
03j	Assembly Door Trim Panel Insert LH	Quilted	Ash gray leather	<b>A138V4255S</b>	1
03k	Assembly Door Trim Panel Insert RH	Quilted	Ash gray leather	<b>A138V4256S</b>	1
03l	Assembly Door Trim Panel Insert LH	Quilted, Not Available	Imperial blue leather	<b>A138V4257S</b>	1
03m	Assembly Door Trim Panel Insert RH	Quilted, Not Available	Imperial blue leather	<b>A138V4258S</b>	1
03n	Assembly Door Trim Panel Insert LH	Quilted, Red stitching	Black leather	<b>A138V4281S</b>	1
03o	Assembly Door Trim Panel Insert RH	Quilted, Red stitching	Black leather	<b>A138V4282S</b>	1
03p	Assembly Door Trim Panel Insert LH	Quilted, Yellow stitching	Black leather	<b>A138V4283S</b>	1
03q	Assembly Door Trim Panel Insert RH	Quilted, Yellow stitching	Black leather	<b>A138V4284S</b>	1
03r	Assembly Door Trim Panel Insert LH	Quilted, Silver stitching	Black leather	<b>A138V4285S</b>	1
03s	Assembly Door Trim Panel Insert RH	Quilted, Silver stitching	Black leather	<b>A138V4286S</b>	1
03t	Assembly Door Trim Panel Insert LH	Quilted, Black stitching	Suedetex	<b>A138V4287S</b>	1
03u	Assembly Door Trim Panel Insert RH	Quilted, Black stitching	Suedetex	<b>A138V4288S</b>	1
03v	Assembly Door Trim Panel Insert LH	Quilted, Red stitching	Suedetex	<b>A138V4289S</b>	1
03w	Assembly Door Trim Panel Insert RH	Quilted, Red stitching	Suedetex	<b>A138V4290S</b>	1
03x	Assembly Door Trim Panel Insert LH	Quilted, Yellow stitching	Suedetex	<b>A138V4291S</b>	1
03y	Assembly Door Trim Panel Insert RH	Quilted, Yellow stitching	Suedetex	<b>A138V4292S</b>	1



**Function Code 15.13 Front Door Trims**

<u>Dep</u>	<u>Part Description</u>	<u>Remarks</u>	<u>Option</u>	<u>Part Number</u>	<u>Qty</u>
03z	Assembly Door Trim Panel Insert LH	Quilted, Silver stitching	Suedetex	<b>A138V4293S</b>	1
03az	Assembly Door Trim Panel Insert RH	Quilted, Silver stitching	Suedetex	<b>A138V4294S</b>	1
03bz	Assembly Door Trim Panel Insert LH		Cloth	<b>A138V4271S</b>	1
03cz	Assembly Door Trim Panel Insert RH		Cloth	<b>A138V4272S</b>	1
04	Assembly Door Trim Panel Insert LH		Black leather, Exige 350 sport		1
04a	Assembly Door Trim Panel Insert RH		Black leather, Exige 350 sport		1
04b	Assembly Door Trim Panel Insert LH	Silver stitching	Black leather, Exige 350 sport		1
04c	Assembly Door Trim Panel Insert RH	Silver stitching	Black leather, Exige 350 sport		1
04d	Assembly Door Trim Panel Insert LH	Red stitching	Black leather, Exige 350 sport		1
04e	Assembly Door Trim Panel Insert RH	Red stitching	Black leather, Exige 350 sport		1
04f	Assembly Door Trim Panel Insert LH	Yellow stitching	Black leather, Exige 350 sport		1
04g	Assembly Door Trim Panel Insert RH	Yellow stitching	Black leather, Exige 350 sport		1
04h	Assembly Door Trim Panel Insert LH		Red leather, Exige 350 sport	<b>A120V4179S</b>	1
04i	Assembly Door Trim Panel Insert RH		Red leather, Exige 350 sport	<b>A120V4180S</b>	1
04j	Assembly Door Trim Panel Insert LH		Tan leather, Exige 350 sport	<b>A120V4181S</b>	1
04k	Assembly Door Trim Panel Insert RH		Tan leather, Exige 350 sport	<b>A120V4182S</b>	1
04l	Assembly Door Trim Panel Insert LH	Silver stitching	Black alcantara, Exige 350 sport	<b>A120V4183S</b>	1
04m	Assembly Door Trim Panel Insert RH	Silver stitching	Black alcantara, Exige 350 sport	<b>A120V4184S</b>	1
04n	Assembly Door Trim Panel Insert LH	Red stitching	Black alcantara, Exige 350 sport		1



**Function Code 15.13 Front Door Trims**

<u>Dep</u>	<u>Part Description</u>	<u>Remarks</u>	<u>Option</u>	<u>Part Number</u>	<u>Qty</u>
04o	Assembly Door Trim Panel Insert RH	Red stitching	Black alcantara, Exige 350 sport		1
04p	Assembly Door Trim Panel Insert LH	Yellow stitching	Black alcantara, Exige 350 sport		1
04q	Assembly Door Trim Panel Insert RH	Yellow stitching	Black alcantara, Exige 350 sport		1
04r	Assembly Door Trim Panel Insert LH	Silver stitching	Red alcantara, Exige 350 sport	<b>A120V4185S</b>	1
04s	Assembly Door Trim Panel Insert RH	Silver stitching	Red alcantara, Exige 350 sport	<b>A120V4186S</b>	1
04t	Assembly Door Trim Panel Insert LH		Yellow tartan, Exige 350 sport	<b>A120V4187S</b>	1
04u	Assembly Door Trim Panel Insert RH		Yellow tartan, Exige 350 sport	<b>A120V4188S</b>	1
04v	Assembly Door Trim Panel Insert LH		Red tartan, Exige 350 sport	<b>A120V4189S</b>	1
04w	Assembly Door Trim Panel Insert RH		Red tartan, Exige 350 sport	<b>A120V4190S</b>	1
04x	Assembly Door Trim Panel Insert LH		Cloth, Exige 350 sport		1
04y	Assembly Door Trim Panel Insert RH		Cloth, Exige 350 sport		1
05	Bezel, door release LH			<b>A138V4051F</b>	1
05a	Bezel, door release RH			<b>A138V4052F</b>	1
06	Clip, trim panel insert			<b>A116U0200F</b>	2
07	Drivelock Rivet			<b>A138W6018F</b>	2
08	Screw M5 x 20 btn cap hd.			<b>A082W7173F</b>	4
09	Washer Flat M5 x 10 x 0.8			<b>A075W4011Z</b>	4
10	Screw Pozi, no.5 x 1/2			<b>A075W5020F</b>	8
11	Trim Panel, interior door pull recess, LH	Bonded to inner door		<b>A117B0371F</b>	1



**Function Code 15.13 Front Door Trims**

<u>Dep</u>	<u>Part Description</u>	<u>Remarks</u>	<u>Option</u>	<u>Part Number</u>	<u>Qty</u>
11a	Trim Panel, interior door pull recess, RH	Bonded to inner door		<b>A117B0372F</b>	1
11b	Trim Panel, interior door pull recess, LH	Bonded to inner door	Black leather	<b>A120V4045S</b>	1
11c	Trim Panel, interior door pull recess, RH	Bonded to inner door	Black leather	<b>A120V4046S</b>	1
11d	Trim Panel, interior door pull recess, LH	Bonded to inner door	Ivory white leather	<b>A138V4131S</b>	1
11e	Trim Panel, interior door pull recess, RH	Bonded to inner door	Ivory white leather	<b>A138V4132S</b>	1
11f	Trim Panel, interior door pull recess, LH	Bonded to inner door	Venom red leather	<b>A138V4133S</b>	1
11g	Trim Panel, interior door pull recess, RH	Bonded to inner door	Venom red leather	<b>A138V4134S</b>	1
11h	Trim Panel, interior door pull recess, LH	Bonded to inner door	Cognac brown leather	<b>A138V4135S</b>	1
11i	Trim Panel, interior door pull recess, RH	Bonded to inner door	Cognac brown leather	<b>A138V4136S</b>	1
11j	Trim Panel, interior door pull recess, LH	Bonded to inner door	Cocoa brown leather	<b>A138V4137S</b>	1
11k	Trim Panel, interior door pull recess, RH	Bonded to inner door	Cocoa brown leather	<b>A138V4138S</b>	1
11l	Trim Panel, interior door pull recess, LH	Bonded to inner door	Ash gray leather	<b>A138V4139S</b>	1
11m	Trim Panel, interior door pull recess, RH	Bonded to inner door	Ash gray leather	<b>A138V4140S</b>	1
11n	Trim Panel, interior door pull recess, LH	Bonded to inner door, Not Available	Imperial blue leather	<b>A138V4141S</b>	1
11o	Trim Panel, interior door pull recess, RH	Bonded to inner door, Not Available	Imperial blue leather	<b>A138V4142S</b>	1
11p	Trim Panel, interior door pull recess, LH	Bonded to inner door, red stitching	Black leather	<b>A138V4143S</b>	1
11q	Trim Panel, interior door pull recess, RH	Bonded to inner door, red stitching	Black leather	<b>A138V4144S</b>	1
11u	Trim Panel, interior door pull recess, LH	Bonded to inner door, yellow stitching	Black leather	<b>A138V4145S</b>	1

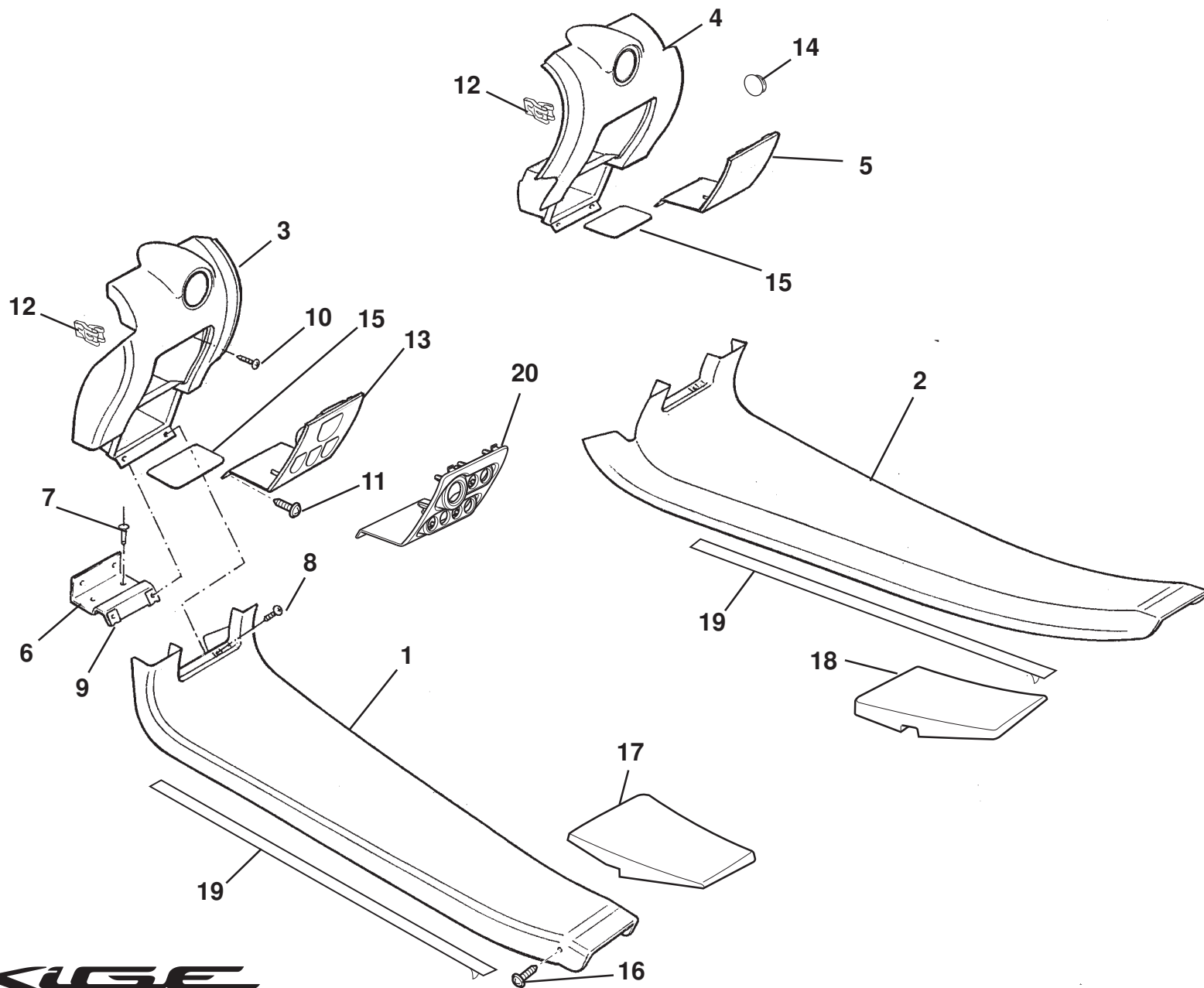


**Function Code 15.13 Front Door Trims**

<u>Dep</u>	<u>Part Description</u>	<u>Remarks</u>	<u>Option</u>	<u>Part Number</u>	<u>Qty</u>
11v	Trim Panel, interior door pull recess, RH	Bonded to inner door yellow stitching	Black leather	<b>A138V4146S</b>	1
11w	Trim Panel, interior door pull recess, LH	Bonded to inner door, silver stitching	Black leather	<b>A138V4147S</b>	1
11x	Trim Panel, interior door pull recess, RH	Bonded to inner door, silver stitching	Black leather	<b>A138V4148S</b>	1
11y	Trim Panel, interior door pull recess, LH	Bonded to inner door, Orange stitching	Black leather	<b>TBC</b>	1
11z	Trim Panel, interior door pull recess, RH	Bonded to inner door, Orange stitching	Black leather	<b>TBC</b>	1
11az	Trim Panel, interior door pull recess, LH	Bonded to inner door, red stitching	Suedetex	<b>A138V4149S</b>	1
11bz	Trim Panel, interior door pull recess, RH	Bonded to inner door, red stitching	Suedetex	<b>A138V4150S</b>	1
11cz	Trim Panel, interior door pull recess, LH	Bonded to inner door yellow stitching	Suedetex	<b>A138V4151S</b>	1
11dz	Trim Panel, interior door pull recess, RH	Bonded to inner door yellow stitching	Suedetex	<b>A138V4152S</b>	1
11ez	Trim Panel, interior door pull recess, LH	Bonded to inner door, silver stitching	Suedetex	<b>A138V4153S</b>	1
11fz	Trim Panel, interior door pull recess, RH	Bonded to inner door, silver stitching	Suedetex	<b>A138V4154S</b>	1
11gz	Trim Panel, interior door pull recess, LH	Bonded to inner door, Orange stitching	Suedetex	<b>TBC</b>	1
11hz	Trim Panel, interior door pull recess, RH	Bonded to inner door, Orange stitching	Suedetex	<b>TBC</b>	1
12	Screw Pozi, no.8 x 3/4 flg hd			<b>A075W5074Z</b>	2







**EXIGE**

15.18

*Updated 4th February 2016*

# Service Parts List

# EXIGE



## Function Code 15.18 Interior Trim, Chassis Trim Panels

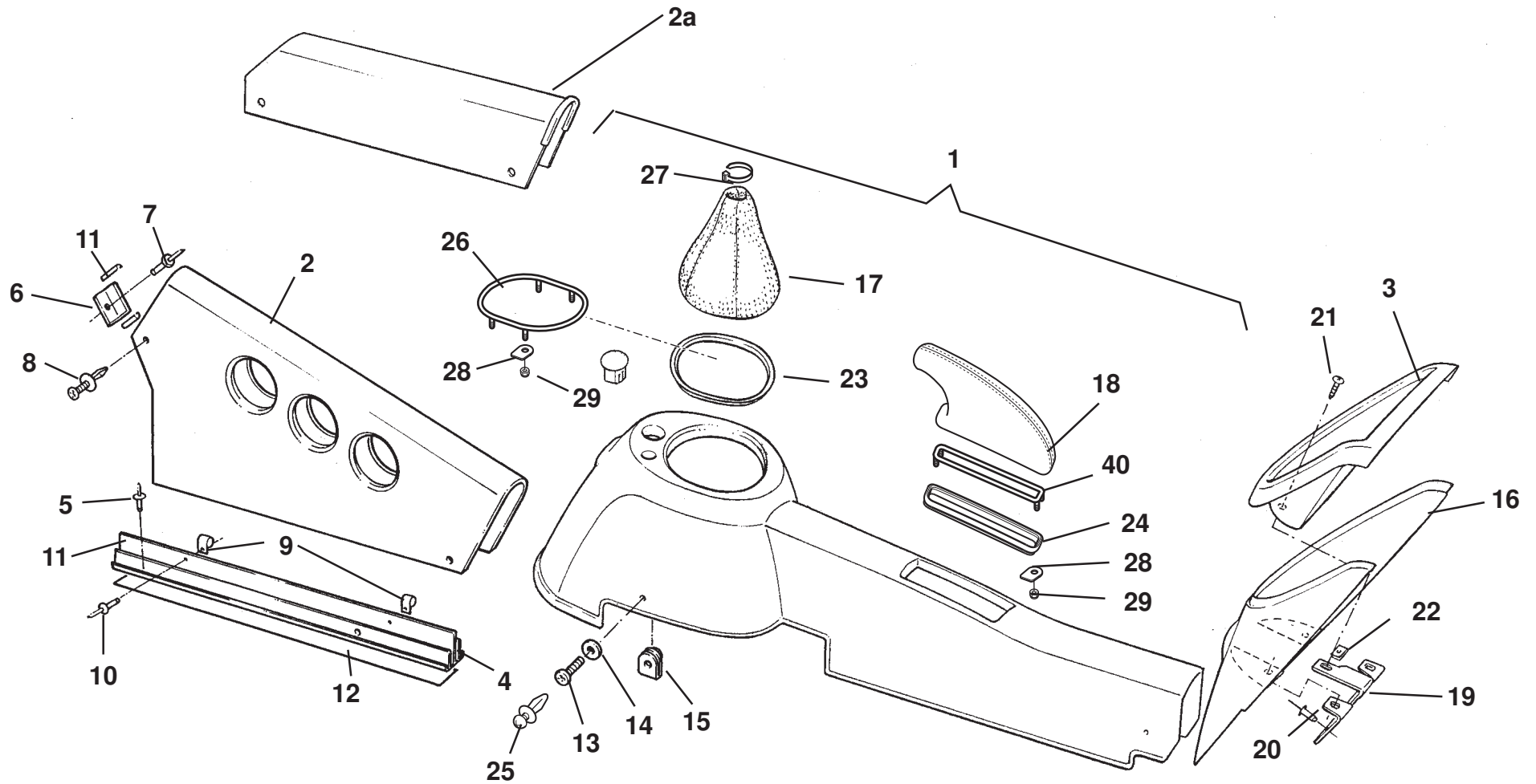
<u>Dep</u>	<u>Part Description</u>	<u>Remarks</u>	<u>Option</u>	<u>Part Number</u>	<u>Qty</u>
01	Sill Trim Panel, LH, senosoft, black	Also order item 17		<b>A138V4267F</b>	1
01a	Sill Trim Panel, LH, black leather		Black leather	<b>A138V4243F</b>	1
01b	Sill Trim Panel, LH, black Vinyl		Black Vinyl	<b>A138V0755J</b>	1
01c	Sill Trim Panel, LH, carbon		Exige Sport 380	<b>A138V4369F</b>	1
01d	Sill Trim Panel, LH, black leather	Yellow stitching			1
01e	Sill Trim Panel, LH, black leather	Red stitching			1
02	Sill Trim Panel, RH, senosoft, black	Also order item 18		<b>A138V4268F</b>	1
02a	Sill Trim Panel, RH, black leather		Black leather	<b>A138V4244F</b>	1
02b	Sill Trim Panel, RH, black leather		Black Vinyl	<b>A138V0757J</b>	1
02c	Sill Trim Panel, RH, carbon		Exige Sport 380	<b>A138V4370F</b>	1
02d	Sill Trim Panel, RH, black leather	Yellow stitching			1
02e	Sill Trim Panel, RH, black leather	Red stitching			1
03	'A' Post Trim Panel, LH, senosoft, black			<b>A138V4113F</b>	1
03a	'A' Post Trim Panel, LH, black leather		Black leather	<b>A138V4241F</b>	1
03b	'A' Post Trim Panel, LH, black leather	Yellow stitching			1
03c	'A' Post Trim Panel, LH, black leather	Red stitching			1
04	'A' Post Trim Panel, RH, senosoft, black			<b>A138V4114F</b>	1
04a	'A' Post Trim Panel, RH, black leather		Black leather	<b>A138V4242F</b>	1

EXIGE

**Function Code 15.18 Interior Trim, Chassis Trim Panels**

<u>Dep</u>	<u>Part Description</u>	<u>Remarks</u>	<u>Option</u>	<u>Part Number</u>	<u>Qty</u>
04b	'A' Post Trim Panel, RH, black leather	Yellow stitching			1
04c	'A' Post Trim Panel, RH, black leather	Red stitching			1
05	Cover, 'A' post trim panel aperture, senosoft, black			A138V0165F	1
05a	Cover, 'A' post trim panel aperture, senosoft, black	To fit 'A' Posts trimmed in leather		A138V0602F	1
06	Bracket, trim to chassis			A121U0033F	2
07	Pop Rivet, bracket to chassis			A075W6071Z	2
08	Screw, self tap. No. 6 x 3/4", panels to bracket			A075W5028Z	4
09	Spirenut, No. 6, panels to bracket	Also in pocket		A075W6014Z	8
10	Screw, self tap. No. 8 x 3/4", panel to dash upper			A075W5074Z	4
11	Screw, self tap. No. 8 x 3/4", switch panel & cover fixing			A075W5074Z	4
12	Clip, 'A' post trim panel retention			A121U0156S	4
13	Switch Panel Housing, senosoft, black		Exige S	A138V0002F	1
14	Grommet Blanking 35.9mm, unused USB hole			A138W6009F	1
15	Mat, 'A' post pocket	Requires double sided tape sourced locally to secure it		A121V0005K	2
16	Screw, No.6 x 0.5", flg. hd. S/S black,sill trim panel			A089W5138F	2
17	Foam Sill Trim Panel, LH	Fitted to sill		C121U0123F	1
18	Foam Sill Trim Panel, RH	Fitted to sill		C121U0124F	1
19	Double Sided Tape, 25 x 1.25, trim to chassis	3 x 75cm per sill trim		A117B6043V	As req.
20	Switch Panel Housing, senosoft, black	TBC	Exige Sport 350	A138V0708F	1



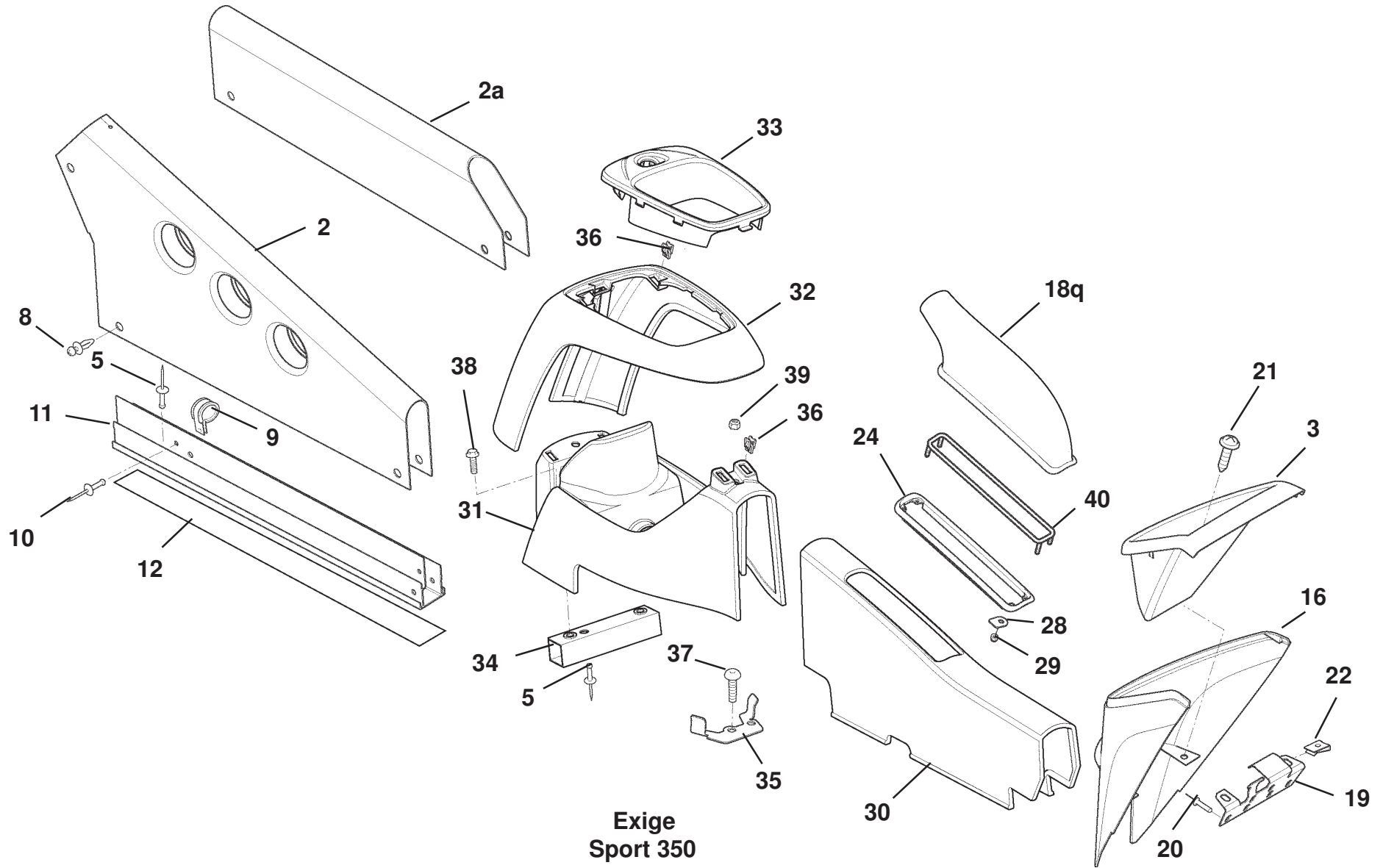


Exige S

**EXIGE**

15.19 page 1

Updated 4th February 2016



Exige Sport 350

# Service Parts List

# EXIGE



## Function Code 15.19 Centre Tunnel Trim, Gear Lever Gaiters/Shrouds

<u>Dep</u>	<u>Part Description</u>	<u>Remarks</u>	<u>Option</u>	<u>Part Number</u>	<u>Qty</u>
01	Centre Console, LHD	Includes gaiters	Black leather	<b>A120V0427J</b>	1
01a	Centre Console, RHD	Includes gaiters	Black leather	<b>A120V0428J</b>	1
01b	Centre Console, LHD	Includes gaiters	Ivory white leather	<b>A120V4099S</b>	1
01c	Centre Console, RHD	Includes gaiters	Ivory white leather	<b>A120V4100S</b>	1
01d	Centre Console, LHD	Includes gaiters	Venom red leather	<b>A120V4101S</b>	1
01e	Centre Console, RHD	Includes gaiters	Venom red leather	<b>A120V4102S</b>	1
01f	Centre Console, LHD	Includes gaiters	Ash gray leather	<b>A120V4103S</b>	1
01g	Centre Console, RHD	Includes gaiters	Ash gray leather	<b>A120V4104S</b>	1
01h	Centre Console, LHD	Includes gaiters	Cognac brown leather	<b>A120V4105S</b>	1
01i	Centre Console, RHD	Includes gaiters	Cognac brown leather	<b>A120V4106S</b>	1
01j	Centre Console, LHD	Includes gaiters	Cocoa brown leather	<b>A120V4107S</b>	1
01k	Centre Console, RHD	Includes gaiters	Cocoa brown leather	<b>A120V4108S</b>	1
01l	Centre Console, LHD	Includes gaiters. Not Available	Imperial blue leather	<b>A120V4109S</b>	1
01m	Centre Console, RHD	Includes gaiters, Not Available	Imperial blue leather	<b>A120V4110S</b>	1
01n	Centre Console, LHD	Includes gaiters, Red stitching	Black leather	<b>A138V4223S</b>	1
01o	Centre Console, RHD	Includes gaiters, Red stitching	Black leather	<b>A138V4224S</b>	1
01p	Centre Console, LHD	Includes gaiters, Yellow stitching	Black leather	<b>A138V4225S</b>	1
01q	Centre Console, RHD	Includes gaiters, Yellow stitching	Black leather	<b>A138V4226S</b>	1

EXIGE

**Function Code 15.19 Centre Tunnel Trim, Gear Lever Gaiters/Shrouds**

<u>Dep</u>	<u>Part Description</u>	<u>Remarks</u>	<u>Option</u>	<u>Part Number</u>	<u>Qty</u>
01r	Centre Console, LHD	Includes gaiters, Silver stitching	Black leather	<b>A138V4227S</b>	1
01s	Centre Console, RHD	Includes gaiters, Silver stitching	Black leather	<b>A138V4228S</b>	1
01t	Centre Console, LHD	Includes gaiters, Black stitching	Suedetex	<b>A138V4229S</b>	1
01u	Centre Console, RHD	Includes gaiters, Black stitching	Suedetex	<b>A138V4230S</b>	1
01v	Centre Console, LHD	Includes gaiters, Red stitching	Suedetex	<b>A138V4231S</b>	1
01w	Centre Console, RHD	Includes gaiters, Red stitching	Suedetex	<b>A138V4232S</b>	1
01x	Centre Console, LHD	Includes gaiters, Yellow stitching	Suedetex	<b>A138V4233S</b>	1
01y	Centre Console, RHD	Includes gaiters, Yellow stitching	Suedetex	<b>A138V4234S</b>	1
01z	Centre Console, LHD	Includes gaiters, Silver stitching	Suedetex	<b>A138V4235S</b>	1
01az	Centre Console, RHD	Includes gaiters, Silver stitching	Suedetex	<b>A138V4236S</b>	1
01bz	Centre Console, LHD	Includes gaiters	Cloth	<b>A138V4303S</b>	1
01cz	Centre Console, RHD	Includes gaiters,	Cloth	<b>A138V4304S</b>	1
01dz	Centre Console, LHD	Unpainted	Exige S Clubracer	<b>TBC</b>	1
01ez	Centre Console, RHD	Unpainted	Exige S Clubracer	<b>TBC</b>	1
02	Cover, tunnel front, LHD	Alloy		<b>A111A0106F</b>	1
02a	Cover, tunnel front, RHD	Alloy		<b>A120V0420K</b>	1
03	Console/Stowage Pocket, black, rear upper			<b>A120U0014F</b>	1
04	Mounting Bracket, front tunnel to floor			<b>A120V0421K</b>	1
05	Blind Rivet, tunnel mount fix.			<b>A111W6613F</b>	4
06	Mounting Bracket, front tunnel to toeboard			<b>B111A0069F</b>	1
07	Pop Rivet, 3/16" x 9/16", bracket fix.			<b>A082W6243F</b>	1



**Function Code 15.19 Centre Tunnel Trim, Gear Lever Gaiters/Shrouds**

<u>Dep</u>	<u>Part Description</u>	<u>Remarks</u>	<u>Option</u>	<u>Part Number</u>	<u>Qty</u>
08	Plastic Fastener, tunnel fix.			A082W6505F	5
09	'P' Clip, harness retention			A082W5457F	2
10	Pop Rivet, 'P' clip fix.			A075W6087Z	2
11	Edging Strip, harness protection			B075U6054V	0.16M
12	Tape, double sided, tunnel mount to floor			B075U6070V	0.55M
13	Screw, pan hd., torx, cover fix.			A117F6001F	2
14	Washer, flat, M4 x 9, cover fix.			A082W4099F	2
15	Spire Nut, plastic, cover fix.			A117F6000F	2
16	Console, rear lower, Black leather			A120V0355S	1
16a	Console, rear lower, Ivory white leather			A120V0494S	1
16b	Console, rear lower, Venom red leather			A120V0495S	1
16c	Console, rear lower, Ash grey leather			A120V0496S	1
16d	Console, rear lower, Cognac brown leather			A120V0497S	1
16e	Console, rear lower, Cocoa brown leather			A120V0498S	1
16f	Console, rear lower, Imperial blue leather			A120V0499S	1
16g	Console, rear lower, Suedetex			A138V0420S	1
16h	Console, rear lower, cloth			A120V0492S	1
16i	Console, rear lower, Red leather		Exige Sport 350	TBC	1
16j	Console, rear lower, Tan leather		Exige Sport 350	TBC	1
16l	Console, rear lower, Black alcantara		Exige Sport 350	TBC	1
16m	Console, rear lower, Red alcantara		Exige Sport 350	TBC	1



Function Code: 15.19, Page: 3

*Updated 2nd May 2017*



**Function Code 15.19 Centre Tunnel Trim, Gear Lever Gaiters/Shrouds**

<b>Dep</b>	<b>Part Description</b>	<b>Remarks</b>	<b>Option</b>	<b>Part Number</b>	<b>Qty</b>
16n	Console, rear lower, carpet (velcar)		Exige Sport 350	TBC	1
17	Gaiter Gear Shift	Black stitching	Black leather	A120V0419K	1
17a	Gaiter Gear Shift	Red stitching	Black leather	A138V0421S	1
17b	Gaiter Gear Shift	Yellow stitching	Black leather	A138V0422S	1
17c	Gaiter Gear Shift	Silver stitching	Black leather	A138V0423S	1
17d	Gaiter Gear Shift		Ivory white leather	A138V0424S	1
17e	Gaiter Gear Shift		Venom red leather	A138V0425S	1
17f	Gaiter Gear Shift		Cognac brown leather	A138V0426S	1
17g	Gaiter Gear Shift		Cocoa brown leather	A138V0427S	1
17h	Gaiter Gear Shift		Ash gray leather	A138V0428S	1
17i	Gaiter Gear Shift	Not Available	Imperial blue leather	A138V0429S	1
17j	Gaiter Gear Shift	Black stitching	Suedetex	A138V0430S	1
17k	Gaiter Gear Shift	Silver stitching	Exige S Clubracer manual	TBC	1
17l	Gaiter Gear Shift	Yellow stitching	Exige S Clubracer manual	TBC	1
17m	Gaiter Gear Shift	Orange stitching	Exige S Clubracer manual	TBC	1
18	Gaiter Parking Brake	Black stitching	Black leather	A120V0412K	1
18a	Gaiter Parking Brake	Red stitching	Black leather	A138V0434S	1
18b	Gaiter Parking Brake	Yellow stitching	Black leather	A138V0435S	1
18c	Gaiter Parking Brake	Silver stitching	Black leather	A138V0436S	1
18d	Gaiter Parking Brake		Ivory white leather	A138V0437S	1
18e	Gaiter Parking Brake		Venom red leather	A138V0438S	1



**Function Code 15.19 Centre Tunnel Trim, Gear Lever Gaiters/Shrouds**

<u>Dep</u>	<u>Part Description</u>	<u>Remarks</u>	<u>Option</u>	<u>Part Number</u>	<u>Qty</u>
18f	Gaiter Parking Brake		Cognac brown leather	<b>A138V0439S</b>	1
18g	Gaiter Parking Brake		Cocoa brown leather	<b>A138V0440S</b>	1
18h	Gaiter Parking Brake		Ash gray leather	<b>A138V0441S</b>	1
18i	Gaiter Parking Brake	Not Available	Imperial blue leather	<b>A138V0442S</b>	1
18j	Gaiter Parking Brake	Black stitching	Suedetex	<b>A138V0443S</b>	1
18k	Gaiter Parking Brake	Red stitching	Suedetex	<b>A138V0444S</b>	1
18l	Gaiter Parking Brake	Yellow stitching	Suedetex	<b>A138V0445S</b>	1
18m	Gaiter Parking Brake	Silver stitching	Suedetex	<b>A138V0446S</b>	1
18n	Gaiter Parking Brake	Silver stitching	Exige S Clubracer manual	<b>A138V0870S</b>	1
18o	Gaiter Parking Brake	Yellow stitching	Exige S Clubracer manual	<b>A138V0871S</b>	1
18p	Gaiter Parking Brake		Perforated black leather, Exige Sport 350	<b>A138V0872S</b>	1
19	Bracket, console rear to chassis			<b>A120U0028F</b>	1
20	Pop Rivet, bracket to chassis			<b>A111W6613F</b>	3
21	Screw, No. 6 x 3/8", flg. pozi., console to bracket			<b>A075W5019F</b>	3
22	Spirenut, No. 6, console to bracket			<b>A075W6014Z</b>	3
23	Bezel, gear lever			<b>B120V0415F</b>	1
23a	Retainer, gearlever gaiter		Exige S Clubracer manual	<b>A120V0002F</b>	1
24	Bezel, parking brake gaiter			<b>B120V0410F</b>	1
25	Scrivet, cover fix		Premium carpet	<b>A120W6488F</b>	2
26	Retainer Gear Shift Gaiter			<b>A138V0218F</b>	1



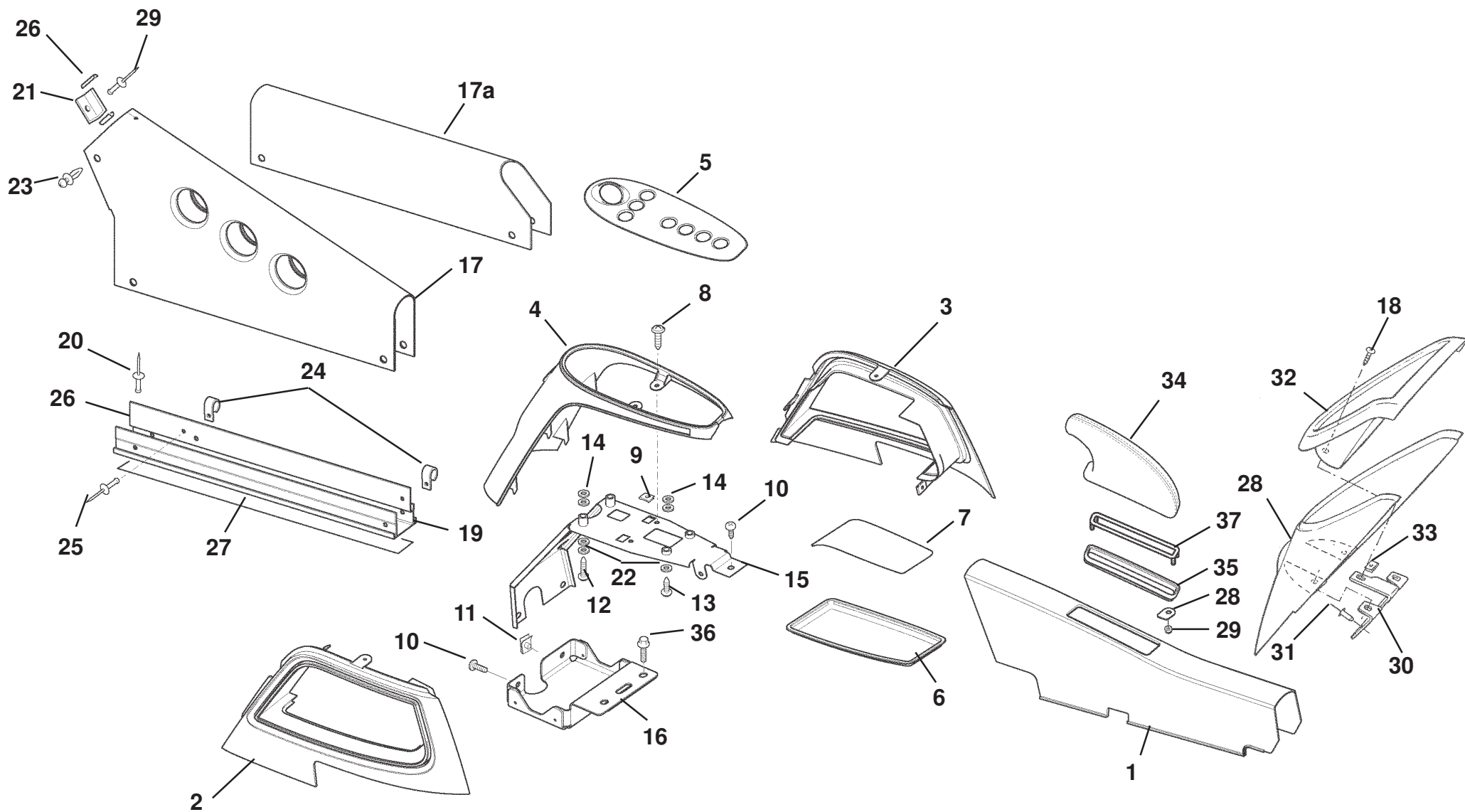
**Function Code 15.19 Centre Tunnel Trim, Gear Lever Gaiters/Shrouds**

<u>Dep</u>	<u>Part Description</u>	<u>Remarks</u>	<u>Option</u>	<u>Part Number</u>	<u>Qty</u>
27	Cable Tie, gaiter to gearknob			A075W6038Z	1
28	Plate			A138V0292F	4
29	Nyloc Nut, M3			A079W3060F	4
30	Centre Console, middle		Black leather	A138V0843S	1
30a	Centre Console, middle		Red leather	A138V0844S	1
30b	Centre Console, middle		Tan leather	A138V0845S	1
30c	Centre Console, middle		Black alcantara	TBC	1
30d	Centre Console, middle		Red alcantara	TBC	1
30e	Centre Console, middle, carpet (velcar)				1
30f	Centre Console, middle, carpet (velcar)	Yellow stitching			1
30g	Centre Console, middle, carpet (velcar)	Red stitching			1
31	Centre Console, front lower		Black leather	A138V0849S	1
31a	Centre Console, front lower		Red leather	TBC	1
31b	Centre Console, front lower		Tan leather	TBC	1
31c	Centre Console, front lower		Black alcantara	TBC	1
31d	Centre Console, front lower		Red alcantara	TBC	1
31e	Centre Console, front lower, carpet (velcar)				1
32	Centre Console, front upper LHD		Black leather	A138V0856S	1
32a	Centre Console, front upper RHD		Black leather	A138V0857S	1
32b	Centre Console, front upper LHD	Yellow stitching	Black leather	A138V0858S	1
32c	Centre Console, front upper RHD	Yellow stitching	Black leather	A138V0859S	1



**Function Code 15.19 Centre Tunnel Trim, Gear Lever Gaiters/Shrouds**

<u>Dep</u>	<u>Part Description</u>	<u>Remarks</u>	<u>Option</u>	<u>Part Number</u>	<u>Qty</u>
32d	Centre Console, front upper LHD	Red stitching	Black leather	A138V0860S	1
32e	Centre Console, front upper RHD	Red stitching	Black leather	A138V0861S	1
32f	Centre Console, front upper LHD		Red leather	A138V0862S	1
32g	Centre Console, front upper RHD		Red leather	A138V0863S	1
32h	Centre Console, front upper LHD		Tan leather	A138V0864S	1
32i	Centre Console, front upper RHD		Tan leather	A138V0865S	1
32j	Centre Console, front upper LHD		Black alcantara	TBC	1
32k	Centre Console, front upper RHD		Black alcantara	TBC	1
32l	Centre Console, front upper LHD		Red alcantara	TBC	1
32m	Centre Console, front upper RHD		Red alcantara	TBC	1
33	Moulding Gear Shift Bezel			A138V0727F	1
34	Mounting Assembly, console front			A138V0685F	1
35	Retaining Bracket, console LHD			A138V4357F	1
35a	Retaining Bracket, console RHD			A138V4358F	1
36	Trim Clip			A132W6111F	7
37	Screw M8 x 20, skt btn hd			A075W7022Z	2
38	Screw M6 x 20, flg hex hd			A132W5004F	2
39	Nut Nyloc M5			A132W3000F	1
40	Retainer Handbrake Gaiter			C138V0219F	1



**EXIGE**

**15.20**

*Updated 4th February 2016*

# Service Parts List

# EXIGE



## Function Code 15.20 Centre Tunnel Trim, Gear Lever Gaiters/Shrouds, Auto

<u>Dep</u>	<u>Part Description</u>	<u>Remarks</u>	<u>Option</u>	<u>Part Number</u>	<u>Qty</u>
01	Console Rear, senosoft black		Base	A120V0401F	1
01a	Console Rear		Cloth	TBC	1
01b	Console Rear		Black leather	A138V0626F	1
01c	Console Rear		Ivory white leather	TBC	1
01d	Console Rear		Venom red leather	TBC	1
01e	Console Rear		Cognac brown leather	TBC	1
01f	Console Rear	Red stitching	Black leather	TBC	1
01g	Console Rear	Yellow stitching	Black leather	TBC	1
01h	Console Rear	Silver stitching	Black leather	TBC	1
01i	Console Rear	Orange stitching	Black leather	TBC	1
01j	Console Rear	Blackstitching	Suedetex	TBC	1
01k	Console Rear	Red stitching	Suedetex	TBC	1
01l	Console Rear	Yellow stitching	Suedetex	TBC	1
01m	Console Rear	Silver stitching	Suedetex	TBC	1
01n	Console Rear	Orange stitching	Suedetex	TBC	1
01o	Console Rear		Red leather, Exige Sport 350	TBC	1
01p	Console Rear		Tan leather, Exige Sport 350	TBC	1
01q	Console Rear		Black alcantra, Exige Sport 350	TBC	1

EXIGE

Function Code: 15.20, Page: 1

Updated 4th February 2016

**Function Code 15.20 Centre Tunnel Trim, Gear Lever Gaiters/Shrouds, Auto**

<u>Dep</u>	<u>Part Description</u>	<u>Remarks</u>	<u>Option</u>	<u>Part Number</u>	<u>Qty</u>
01r	Console Rear		Red alcantra, Exige Sport 350	TBC	1
02	Console Side Panel LH, senosoft black		Base	A120V4057F	1
02a	Console Side Panel LH		Cloth	TBC	1
02b	Console Side Panel LH	TBC	Black leather	B138V4297F	1
02c	Console Side Panel LH		Ivory white leather	TBC	1
02d	Console Side Panel LH		Venom red leather	TBC	1
02e	Console Side Panel LH		Cognac brown leather	TBC	1
02f	Console Side Panel LH	Red stitching	Black leather	TBC	1
02g	Console Side Panel LH	Yellow stitching	Black leather	TBC	1
02h	Console Side Panel LH	Silver stitching	Black leather	TBC	1
02i	Console Side Panel LH	Orange stitching	Black leather	TBC	1
02j	Console Side Panel LH	Black stitching	Suedetex	TBC	1
02k	Console Side Panel LH	Red stitching	Suedetex	TBC	1
02l	Console Side Panel LH	Yellow stitching	Suedetex	TBC	1
02m	Console Side Panel LH	Silver stitching	Suedetex	TBC	1
02n	Console Side Panel LH	Orange stitching	Suedetex	TBC	1
02o	Console Side Panel LH		Red leather, Exige Sport 350	TBC	1
02p	Console Side Panel LH		Tan leather, Exige Sport 350	TBC	1
02q	Console Side Panel LH		Black alcantra, Exige Sport 350	TBC	1
02r	Console Side Panel LH		Red alcantra, Exige Sport 350	TBC	1



**Function Code 15.20 Centre Tunnel Trim, Gear Lever Gaiters/Shrouds, Auto**

<u>Dep</u>	<u>Part Description</u>	<u>Remarks</u>	<u>Option</u>	<u>Part Number</u>	<u>Qty</u>
03	Console Side Panel RH, senosoft black		Base	<b>A120V4058F</b>	1
03a	Console Side Panel RH		Cloth	<b>TBC</b>	1
03b	Console Side Panel RH	TBC	Black leather	<b>B138V4298F</b>	1
03c	Console Side Panel RH		Ivory white leather	<b>TBC</b>	1
03d	Console Side Panel RH		Venom red leather	<b>TBC</b>	1
03e	Console Side Panel RH		Cognac brown leather	<b>TBC</b>	1
03f	Console Side Panel RH	Red stitching	Black leather	<b>TBC</b>	1
03g	Console Side Panel RH	Yellow stitching	Black leather	<b>TBC</b>	1
03h	Console Side Panel RH	Silver stitching,	Black leather	<b>TBC</b>	1
03i	Console Side Panel RH	Orange stitching	Black leather	<b>TBC</b>	1
03j	Console Side Panel RH	Black stitching	Suedetex	<b>TBC</b>	1
03k	Console Side Panel RH	Red stitching	Suedetex	<b>TBC</b>	1
03l	Console Side Panel RH	Yellow stitching	Suedetex	<b>TBC</b>	1
03m	Console Side Panel RH	Silver stitching	Suedetex	<b>TBC</b>	1
03n	Console Side Panel RH	Orange stitching	Suedetex	<b>TBC</b>	1
03o	Console Side Panel RH		Red leather, Exige Sport 350	<b>TBC</b>	1
03p	Console Side Panel RH		Tan leather, Exige Sport 350	<b>TBC</b>	1
03q	Console Side Panel RH		Black alcantra, Exige Sport 350	<b>TBC</b>	1
03r	Console Side Panel RH		Red alcantra, Exige Sport 350	<b>TBC</b>	1
04	Console Upper Panel Front LHD, senosoft black		Base	<b>A120V0404F</b>	1





**Function Code 15.20 Centre Tunnel Trim, Gear Lever Gaiters/Shrouds, Auto**

<u>Dep</u>	<u>Part Description</u>	<u>Remarks</u>	<u>Option</u>	<u>Part Number</u>	<u>Qty</u>
04a	Console Upper Panel Front RHD, senosoft black		Base	A120V0406F	1
04b	Console Upper Panel Front LHD		Cloth	TBC	1
04c	Console Upper Panel Front RHD		Cloth	TBC	1
04d	Console Upper Panel Front LHD		Black leather	A138V0625F	1
04e	Console Upper Panel Front RHD		Black leather	A138V0628F	1
04f	Console Upper Panel Front LHD		Ivory white leather	TBC	1
04g	Console Upper Panel Front RHD		Ivory white leather	TBC	1
04h	Console Upper Panel Front LHD		Venom red leather	TBC	1
04i	Console Upper Panel Front RHD		Venom red leather	TBC	1
04j	Console Upper Panel Front LHD		Cognac brown leather	TBC	1
04k	Console Upper Panel Front RHD		Cognac brown leather	TBC	1
04l	Console Upper Panel Front LHD	Red stitching	Black leather	TBC	1
04m	Console Upper Panel Front RHD	Red stitching	Black leather	TBC	1
04n	Console Upper Panel Front LHD	Yellow stitching	Black leather	TBC	1
04o	Console Upper Panel Front RHD	Yellow stitching	Black leather	TBC	1
04p	Console Upper Panel Front LHD	Silver stitching	Black leather	TBC	1
04q	Console Upper Panel Front RHD	Silver stitching	Black leather	TBC	1
04r	Console Upper Panel Front LHD	Orange stitching	Black leather	TBC	1
04s	Console Upper Panel Front RHD	Orange stitching	Black leather	TBC	1
04t	Console Upper Panel Front LHD	Black stitching	Suedetex	TBC	1
04u	Console Upper Panel Front RHD	Black stitching	Suedetex	TBC	1



**Function Code 15.20 Centre Tunnel Trim, Gear Lever Gaiters/Shrouds, Auto**

<u>Dep</u>	<u>Part Description</u>	<u>Remarks</u>	<u>Option</u>	<u>Part Number</u>	<u>Qty</u>
04v	Console Upper Panel Front LHD	Red stitching	Suedetex	<b>TBC</b>	1
04w	Console Upper Panel Front RHD	Red stitching	Suedetex	<b>TBC</b>	1
04x	Console Upper Panel Front LHD	Yellow stitching	Suedetex	<b>TBC</b>	1
04y	Console Upper Panel Front RHD	Yellow stitching	Suedetex	<b>TBC</b>	1
04z	Console Upper Panel Front LHD	Silver stitching	Suedetex	<b>TBC</b>	1
04az	Console Upper Panel Front RHD	Silver stitching	Suedetex	<b>TBC</b>	1
04bz	Console Upper Panel Front LHD	Orange stitching	Suedetex	<b>TBC</b>	1
04cz	Console Upper Panel Front RHD	Orange stitching	Suedetex	<b>TBC</b>	1
04dz	Console Upper Panel Front LHD		Red leather, Exige Sport 350	<b>TBC</b>	1
04ez	Console Upper Panel Front RHD		Red leather, Exige Sport 350	<b>TBC</b>	1
04fz	Console Upper Panel Front LHD		Tan leather, Exige Sport 350	<b>TBC</b>	1
04gz	Console Upper Panel Front RHD		Tan leather, Exige Sport 350	<b>TBC</b>	1
04hz	Console Upper Panel Front LHD		Black alcantra, Exige Sport 350	<b>TBC</b>	1
04iz	Console Upper Panel Front RHD		Black alcantra, Exige Sport 350	<b>TBC</b>	1
04jz	Console Upper Panel Front LHD		Red alcantra, Exige Sport 350	<b>TBC</b>	1
04kz	Console Upper Panel Front RHD		Red alcantra, Exige Sport 350	<b>TBC</b>	1
05	Console Switch Panel, senosoft black			<b>A120V0402F</b>	1
06	Console Stowage Tray	TBC		<b>A138V0637F</b>	1
07	Console Closer Panel	TBC		<b>A138V0652F</b>	1



**Function Code 15.20 Centre Tunnel Trim, Gear Lever Gaiters/Shrouds, Auto**

<u>Dep</u>	<u>Part Description</u>	<u>Remarks</u>	<u>Option</u>	<u>Part Number</u>	<u>Qty</u>
08	Screw No8 x 1/2, pozi flg blk			A117W5250F	5
09	Nut Spire No8			A075W6016Z	5
10	Screw M6 x 12, pan pozi s/s blk			A111W5214F	5
11	Nut Captive M6			A117W3181F	2
12	Screw M4 x 25, cap hd			B100W7082F	2
13	Screw M4 x 16, cap hd			B127W7224F	2
14	Washer Retaining M4, nylon			A138W4005F	8
15	Console Reinforcement			A120V0408F	1
16	Console Mounting Bracket			A120V0409F	1
17	Cover, tunnel front, parallel, LHD			A111A0106F	1
17a	Cover, tunnel front, parallel, RHD			A120V0420K	1
18	Console/Stowage Pocket, black, rear upper			A120U0014F	1
19	Mounting Bracket, front tunnel to floor			A138V0649K	1
20	Blind Rivet, tunnel mount fix.			A111W6613F	4
21	Mounting Bracket, front tunnel to toeboard			B111A0069F	1
22	Washer Flat M4 x 9 x0.8			A082W4099F	6
23	Plastic Fastener, tunnel fix			A082W6505F	5
24	'P' Clip, harness retention			A082W5457F	2
25	Pop Rivet, 'P' clip fix			A075W6087Z	2
26	Edging Strip, harness protection			B075U6054V	0.16M
27	Tape, double sided, tunnel mount to floor			B075U6070V	0.55M



Function Code: 15.20, Page: 6

*Updated 4th February 2016*

**Function Code 15.20 Centre Tunnel Trim, Gear Lever Gaiters/Shrouds, Auto**

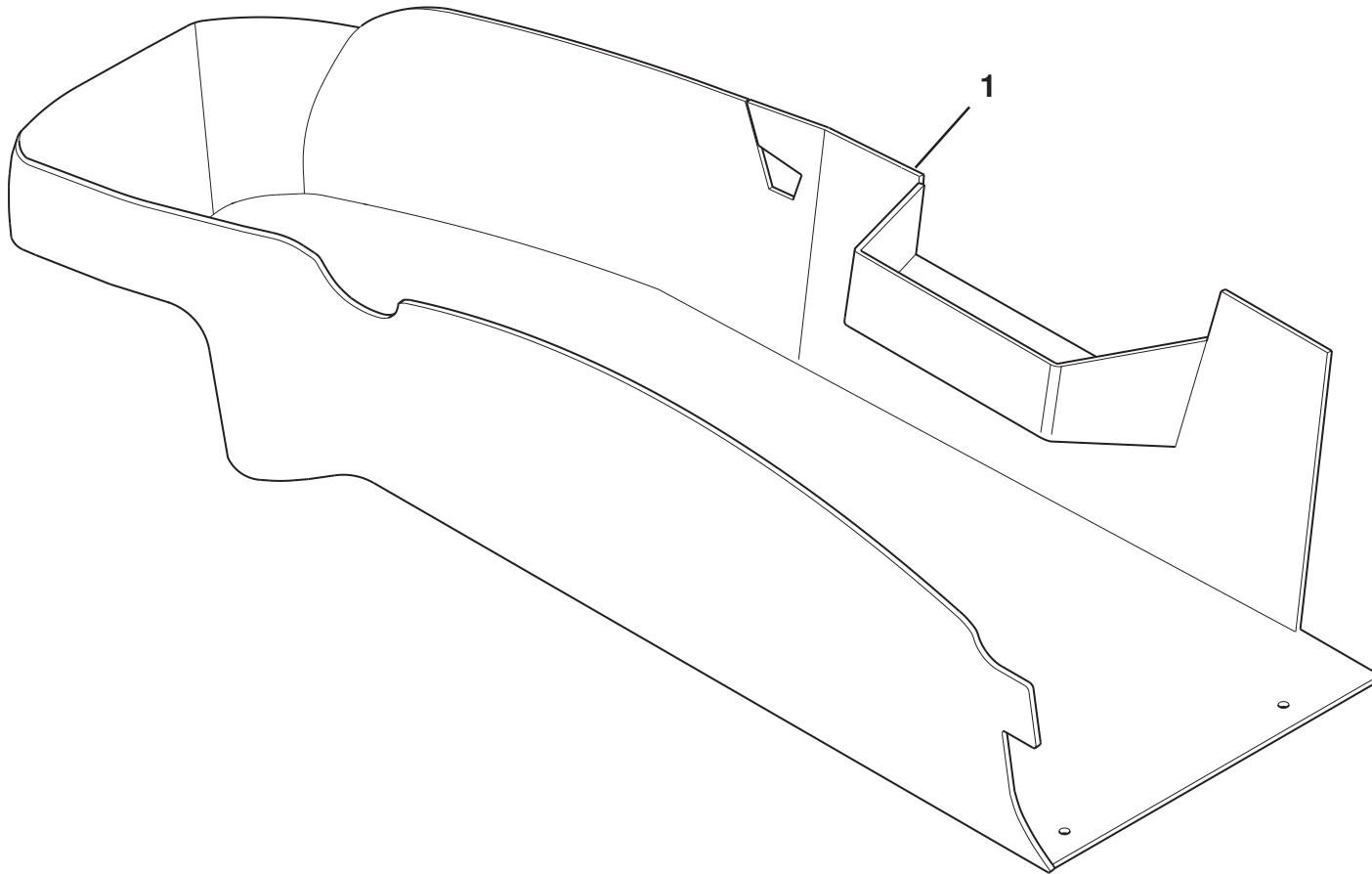
<u>Dep</u>	<u>Part Description</u>	<u>Remarks</u>	<u>Option</u>	<u>Part Number</u>	<u>Qty</u>
28	Console, rear lower, black abs			<b>A120V0536F</b>	1
28a	Console, rear lower, cloth			<b>A120V0492S</b>	1
28b	Console, rear lower		Black leather	<b>A120V0355S</b>	1
28c	Console, rear lower		Ivory white leather	<b>A120V0494S</b>	1
28d	Console, rear lower		Venom red leather	<b>A120V0495S</b>	1
28e	Console, rear lower		Cognac brown leather	<b>A120V0497S</b>	1
28f	Console, rear lower		Suedetex	<b>A138V0420S</b>	1
28g	Console, rear lower		Red leather, Exige Sport 350	<b>TBC</b>	1
28h	Console, rear lower		Tan leather, Exige Sport 350	<b>TBC</b>	1
28i	Console, rear lower		Black alcantra, Exige Sport 350	<b>TBC</b>	1
28j	Console, rear lower		Red alcantra, Exige Sport 350	<b>TBC</b>	1
29	Pop Rivet, 3/16" x 9/16", bracket fix			<b>A082W6243F</b>	1
30	Bracket, console rear to chassis			<b>A120U0028F</b>	1
31	Pop Rivet, bracket to chassis			<b>A111W6613F</b>	3
32	Screw, No. 6 x 3/8", flg. pozi., console to bracket			<b>A075W5019F</b>	3
33	Spirenut, No. 6, console to bracket			<b>A075W6014F</b>	3
34	Gaiter Parking Brake	Black stitching	Black leather	<b>A120V0419K</b>	1
34a	Gaiter Parking Brake	Red stitching	Black leather	<b>A138V0434S</b>	1
34b	Gaiter Parking Brake	Yellow stitching	Black leather	<b>A138V0435S</b>	1
34c	Gaiter Parking Brake	Silver stitching	Black leather	<b>A138V0436S</b>	1



**Function Code 15.20 Centre Tunnel Trim, Gear Lever Gaiters/Shrouds, Auto**

<u>Dep</u>	<u>Part Description</u>	<u>Remarks</u>	<u>Option</u>	<u>Part Number</u>	<u>Qty</u>
34d	Gaiter Parking Brake	Orange stitching	Black leather	TBC	1
34e	Gaiter Parking Brake		Ivory white leather	A138V0437S	1
34f	Gaiter Parking Brake		Venom red leather	A138V0438S	1
34g	Gaiter Parking Brake		Cognac brown leather	A138V0439S	1
34h	Gaiter Parking Brake	Black stitching	Suedetex	A138V0443S	1
34i	Gaiter Parking Brake	Red stitching	Suedetex	A138V0444S	1
34j	Gaiter Parking Brake	Yellow stitching	Suedetex	A138V0445S	1
34k	Gaiter Parking Brake	Silver stitching	Suedetex	A138V0446S	1
34l	Gaiter Parking Brake	Orange stitching	Suedetex	TBC	1
34l	Gaiter Parking Brake		Perforated black leather, Exige Sport 350	TBC	1
35	Bezel, parking brake gaiter			B120V0410F	1
36	Screw M8 x 20 hex flg			A120W5278F	2
37	Retainer Handbrake Gaiter			C138V0219F	1





**EXIGE**

15.24

# Service Parts List

# EXIGE

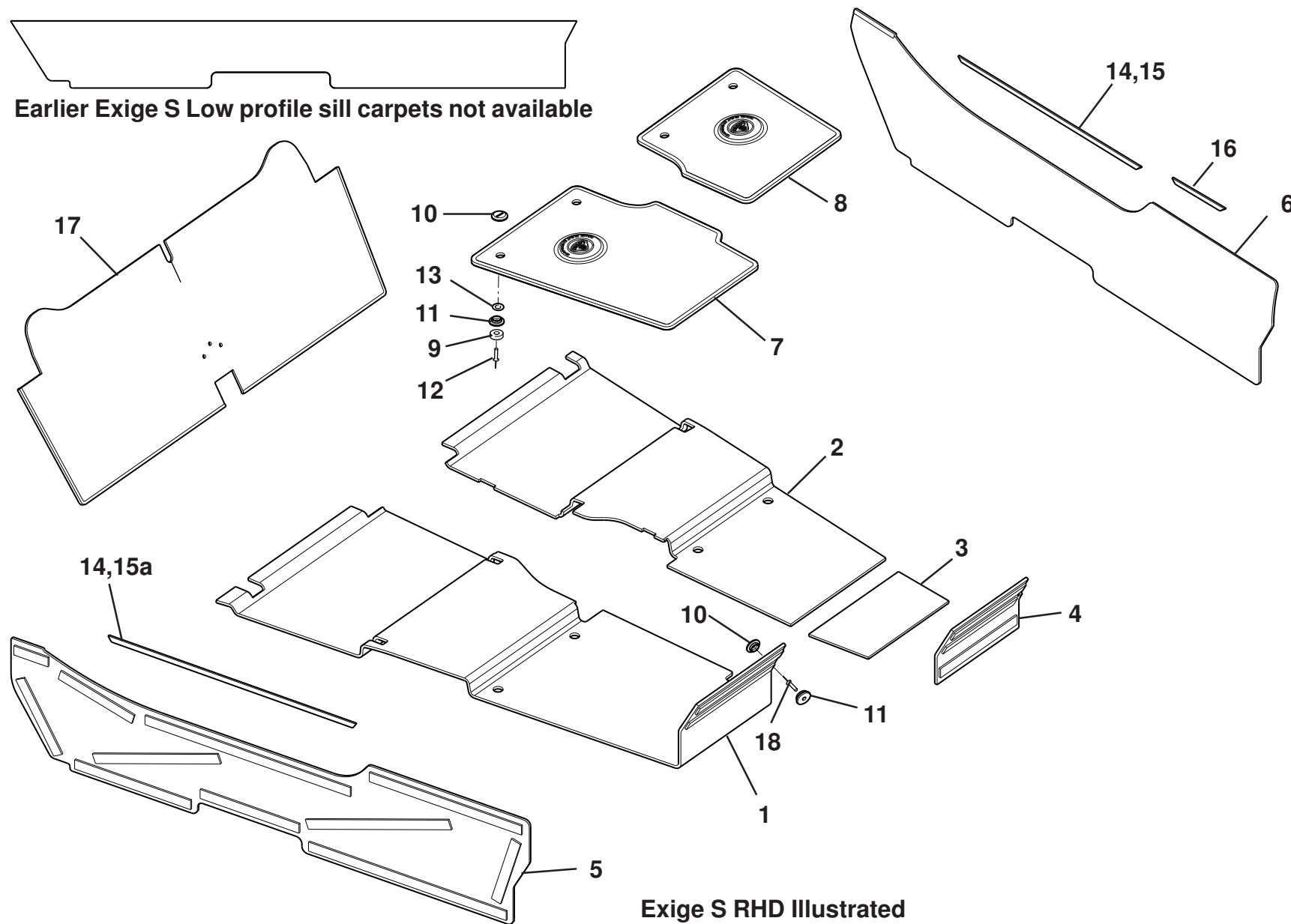


## Function Code 15.24 Luggage Compartment Carpet

<u>Dep</u>	<u>Part Description</u>	<u>Remarks</u>	<u>Option</u>	<u>Part Number</u>	<u>Qty</u>
01	Boot Carpet			A138V0222F	1

EXIGE

Earlier Exige S Low profile sill carpets not available



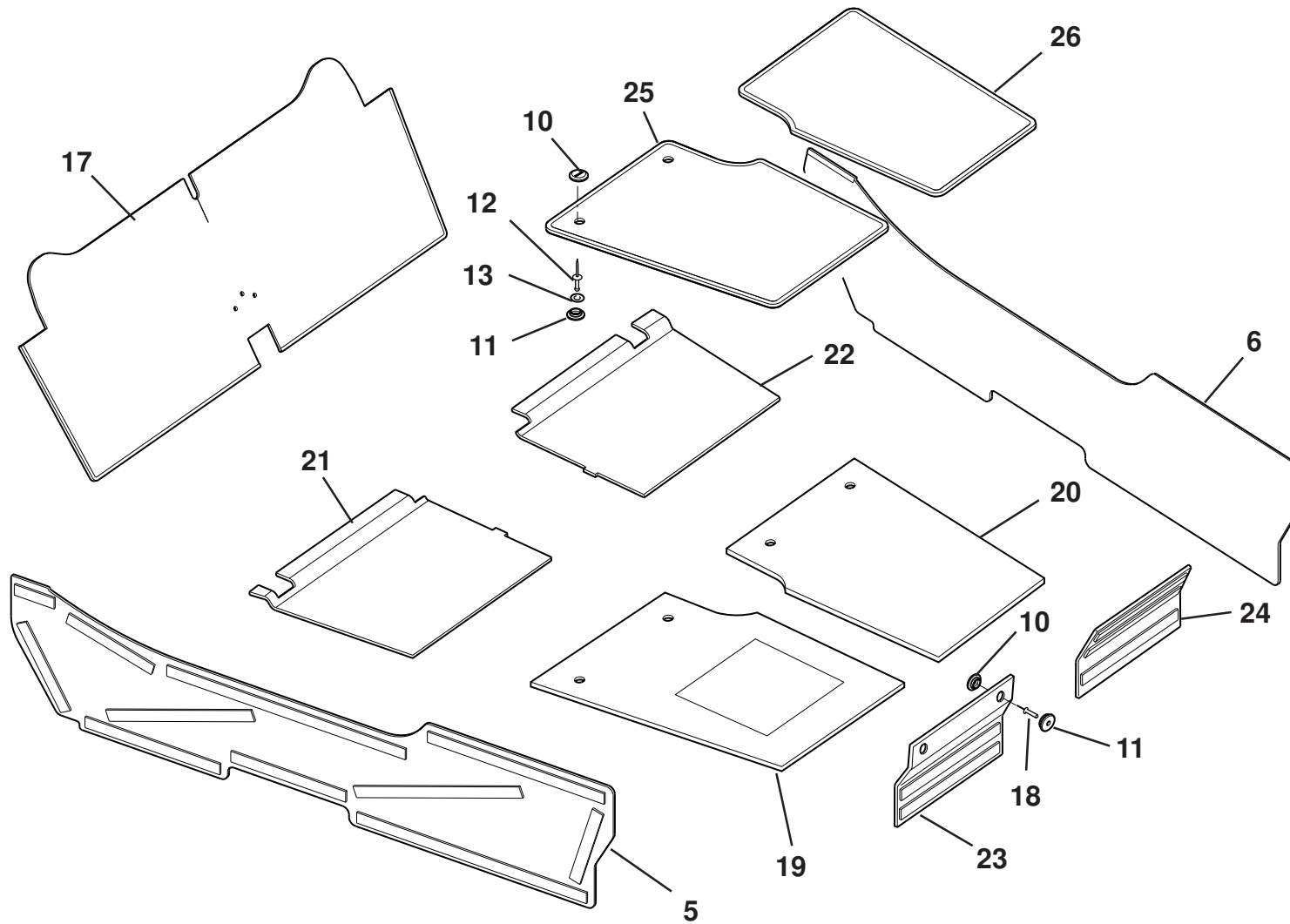
Exige S RHD Illustrated

**EXIGE**

15.30 page 1

Updated 3rd June 2016





Exige Sport 350 RHD Illustrated

**EXIGE**

15.30 page 2

*Updated 3rd October 2016*

# Service Parts List

# EXIGE



## Function Code 15.30 Carpeting & Mats

<u>Dep</u>	<u>Part Description</u>	<u>Remarks</u>	<u>Option</u>	<u>Part Number</u>	<u>Qty</u>
01	Carpet Driver RH RHD		Exige S	B138V0275H	1
01a	Carpet Driver LH LHD		Exige S	B138V0285H	1
01b	Carpet Driver RH RHD	TBC	Auto Exige S	B138V0640H	1
01c	Carpet Driver LH LHD	TBC	Auto Exige S	B138V0638H	1
02	Carpet Passenger LH RHD		Exige S	B138V0276H	1
02a	Carpet Passenger RH LHD		Exige S	B138V0286H	1
02b	Carpet Passenger LH RHD	TBC	Auto Exige S	B138V0641H	1
02c	Carpet Passenger RH LHD	TBC	Auto Exige S	B138V0639H	1
03	Carpet Passenger footrest RHD		Exige S	C138V0277H	1
03a	Carpet Passenger footrest LHD		Exige S	B138V0571H	1
04	Carpet Passenger bulkhead RHD		Exige S	B138V0278H	1
04a	Carpet Passenger bulkhead LHD		Exige S	B138V0287H	1
05	Carpet, Sill, LHD, RH Passenger	Full height		D138V0617F	1
05a	Carpet, Sill, RHD, RH Driver	Full height		C138V0654F	1
05b	Carpet, Sill, RHD, RH Driver	Low level, not available, order high level		B138V4130H	1
05c	Carpet, Sill, LHD, RH Passenger	Low level, not available, order high level	A138V0289 R/B	B138V4130H	1
06	Carpet, Sill, LHD, LH Driver	Full height		D138V0616F	1

EXIGE

**Function Code 15.30 Carpeting & Mats**

<u>Dep</u>	<u>Part Description</u>	<u>Remarks</u>	<u>Option</u>	<u>Part Number</u>	<u>Qty</u>
06a	Carpet, Sill, RHD, LH Passenger	Full height		C138V0655F	1
06b	Carpet, Sill, RHD, LH Passenger	Low level, not available, order high level		B138V4129H	1
06c	Carpet, Sill, LHD, LH Driver	Low level		B138V0288H	1
07	Front Floor Mat Driver, RHD, base	No emblem		A120V0058K	1
07a	Front Floor Mat Driver, RHD, premium	With emblem		A138V0050F	1
07b	Front Floor Mat Driver, LHD, base	No emblem		A120V0060K	1
07c	Front Floor Mat Driver, LHD, premium	With emblem		A138V0048F	1
07d	Front Floor Mat Driver, RHD	TBC	Auto up to MY16	A138V0672F	1
07e	Front Floor Mat Driver, LHD	TBC	Auto up to MY16	A138V0673F	1
08	Front Floor Mat Passenger, RHD, base	No emblem		A120V0059K	1
08a	Front Floor Mat Passenger, RHD, premium	With emblem		A138V0051F	1
08b	Front Floor Mat Passenger, LHD, base	No emblem		A120V0061K	1
08c	Front Floor Mat Passenger, LHD, premium	With emblem		A138V0049F	1
08d	Front Floor Mat Passenger, RHD	TBC	Auto up to MY16	A138V0671F	1
08e	Front Floor Mat Passenger, LHD	TBC	Auto up to MY16	A138V0674F	1
09	Spacer	When secondary floor fitted	Premium mats	A138V0507F	4
10	Carpet Fixing Upper long, black, male, footwell carpet			A124V0054F	4
11	Carpet Fixing Lower, black, female, footwell carpet			A124V0055F	4
12	Pop Rivet, fixing to floor			A111W6574F	4
12a	Pop Rivet, fixing to floor	When secondary floor fitted	Premium mats	A089W6297F	4



**Function Code 15.30 Carpeting & Mats**

<u>Dep</u>	<u>Part Description</u>	<u>Remarks</u>	<u>Option</u>	<u>Part Number</u>	<u>Qty</u>
13	Washer, flat, 3/16 x 0.5", fixing to floor			A075W4000Z	4
14	Finisher Strip LH & RH RHD	Low profile sill carpet		C117U0430F	2
15	Finisher Strip, LH LHD	Low profile sill carpet		A138V0325F	1
15a	Finisher Strip, RH LHD	Low profile sill carpet		C117U0430F	1
16	Finisher Strip Extension, LH LHD	Low profile sill carpet		A138V0326F	1
17	Carpet Rear Bulkhead			C120V0042K	1
18	Pop Rivet, fixing to bulkhead			A111W6613F	2
19	Carpet Driver Front RHD		Exige Sport 350	A138V0735J	1
19a	Carpet Driver Front LHD		Exige Sport 350	A138V0734J	1
20	Carpet Passenger Front RHD		Exige Sport 350	B138V0702F	1
20a	Carpet Passenger Front LHD		Exige Sport 350	B138V0696F	1
21	Carpet Driver Rear RHD		Exige Sport 350	B138V0701F	1
21a	Carpet Driver Rear LHD		Exige Sport 350	B138V0695F	1
22	Carpet Passenger Rear RHD		Exige Sport 350	B138V0703F	1
22a	Carpet Passenger Rear LHD		Exige Sport 350	B138V0697F	1
23	Carpet Driver Front Bulhead RHD		Exige Sport 350	A138V0704F	1
23a	Carpet Driver Front Bulhead LHD		Exige Sport 350	A138V0698F	1
24	Carpet Passenger Front Bulkhead RHD		Exige Sport 350	B138V0705F	1
24a	Carpet Passenger Front Bulkhead LHD		Exige Sport 350	B138V0699F	1
25	Front Floor Mat Driver, RHD		Exige Sport 350	A138V0717F	1
25a	Front Floor Mat Driver, LHD		Exige Sport 350	A138V0715F	1



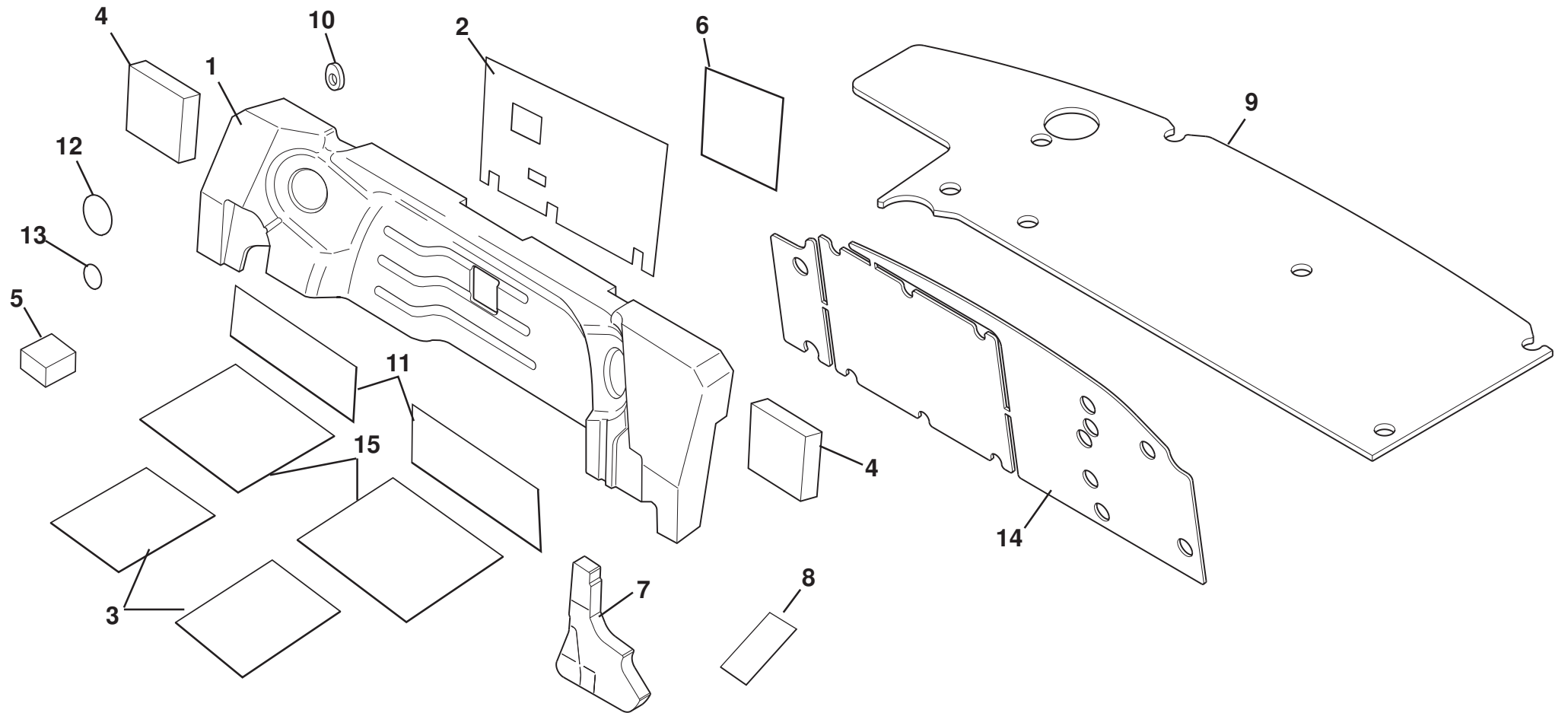
---

**Function Code 15.30 Carpeting & Mats**

<u>Dep</u>	<u>Part Description</u>	<u>Remarks</u>	<u>Option</u>	<u>Part Number</u>	<u>Qty</u>
26	Front Floor Mat Passenger, RHD		Exige Sport 350	<b>A138V0718F</b>	1
26a	Front Floor Mat Passenger, LHD		Exige Sport 350	<b>A138V0716F</b>	1

---



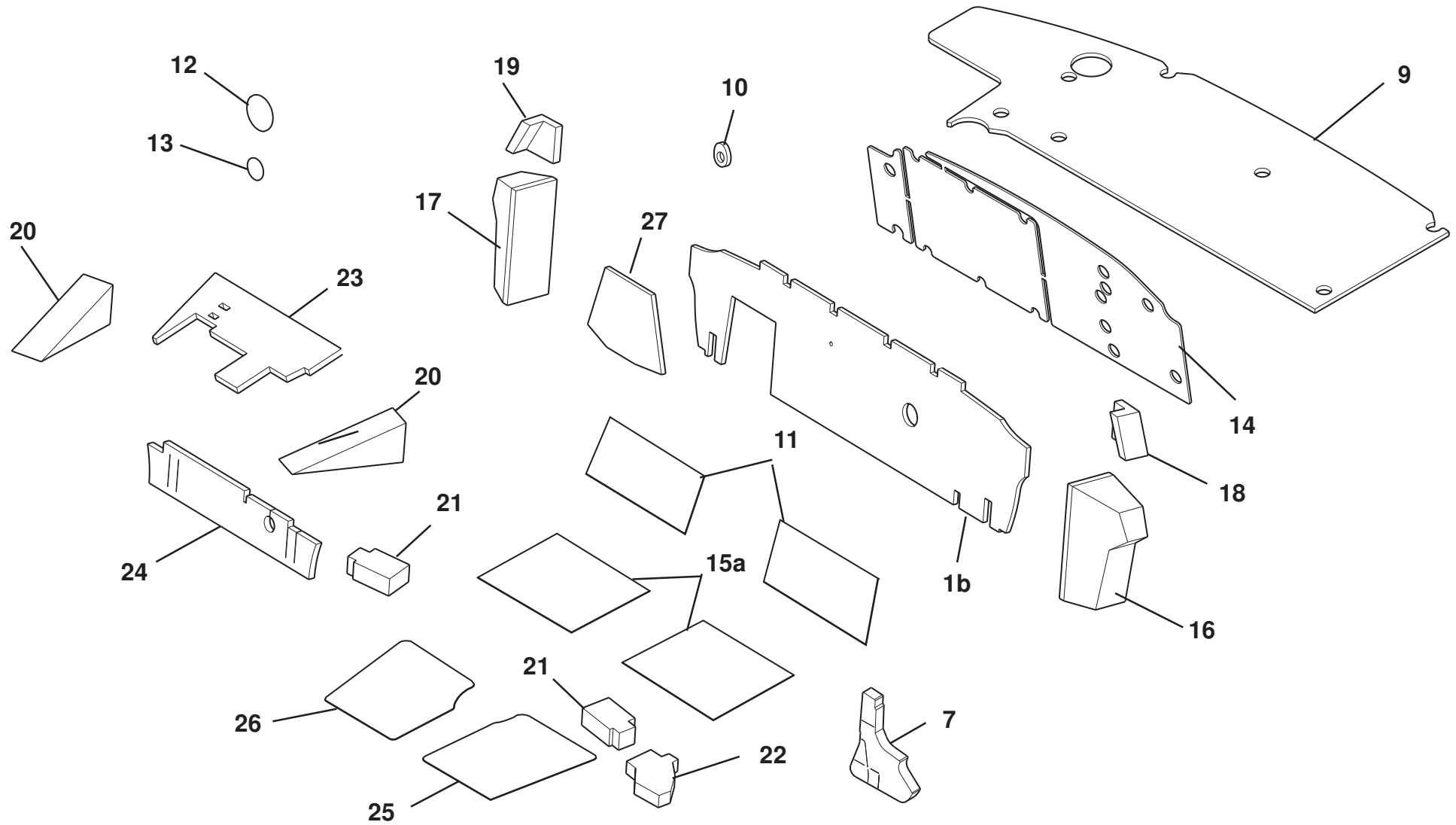


## Exige S

**EXIGE**

16.01 page 1

*Updated 4th February 2016*



## Exige Sport 350

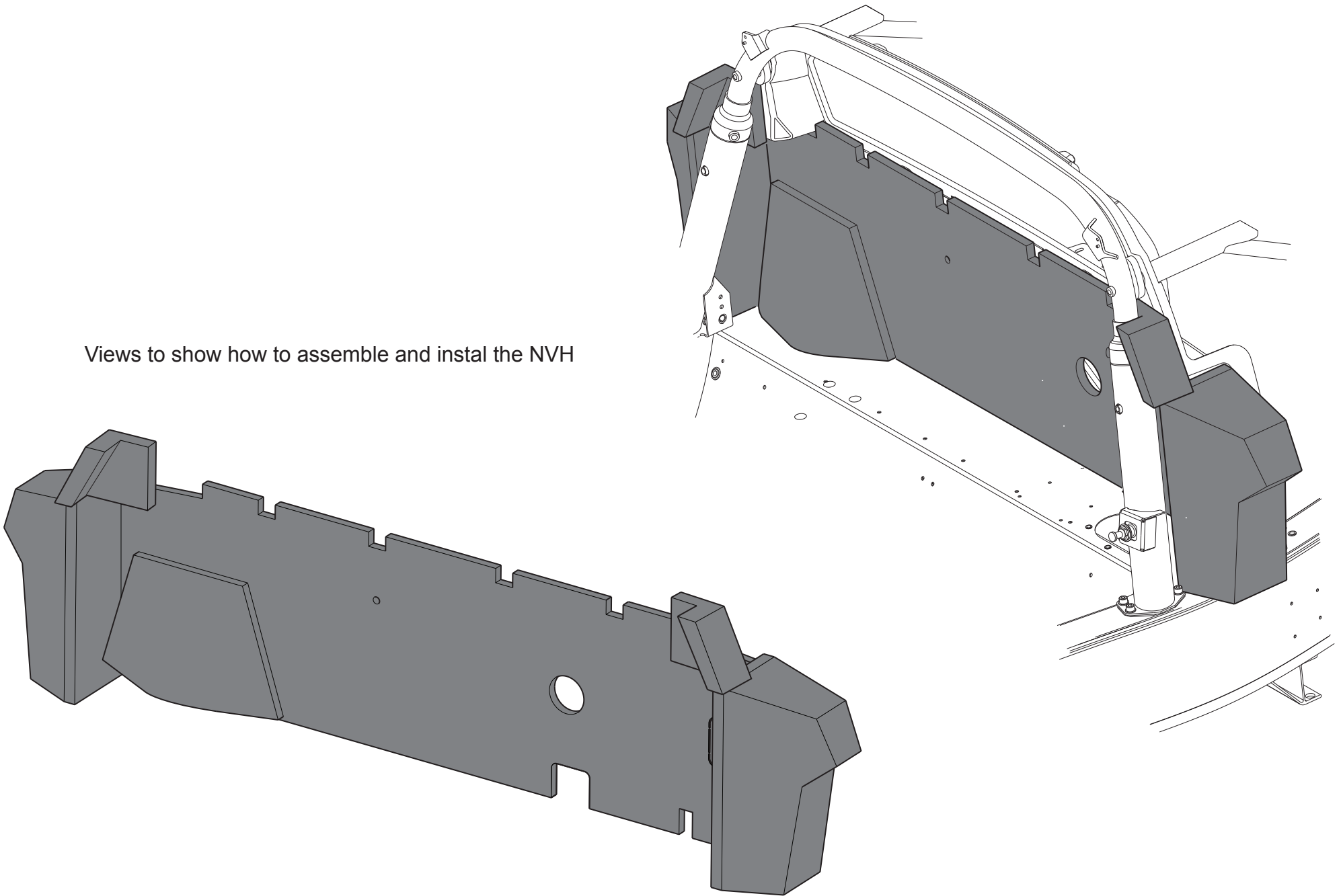
**EXIGE**

16.01 page 2

*Updated 3rd October 2016*

# Retrofitting MY16 NVH to earlier models

Views to show how to assemble and instal the NVH



*Updated 3rd April 2017*



# Service Parts List

# EXIGE



## Function Code 16.01 Passenger Compartment Sound Insulation

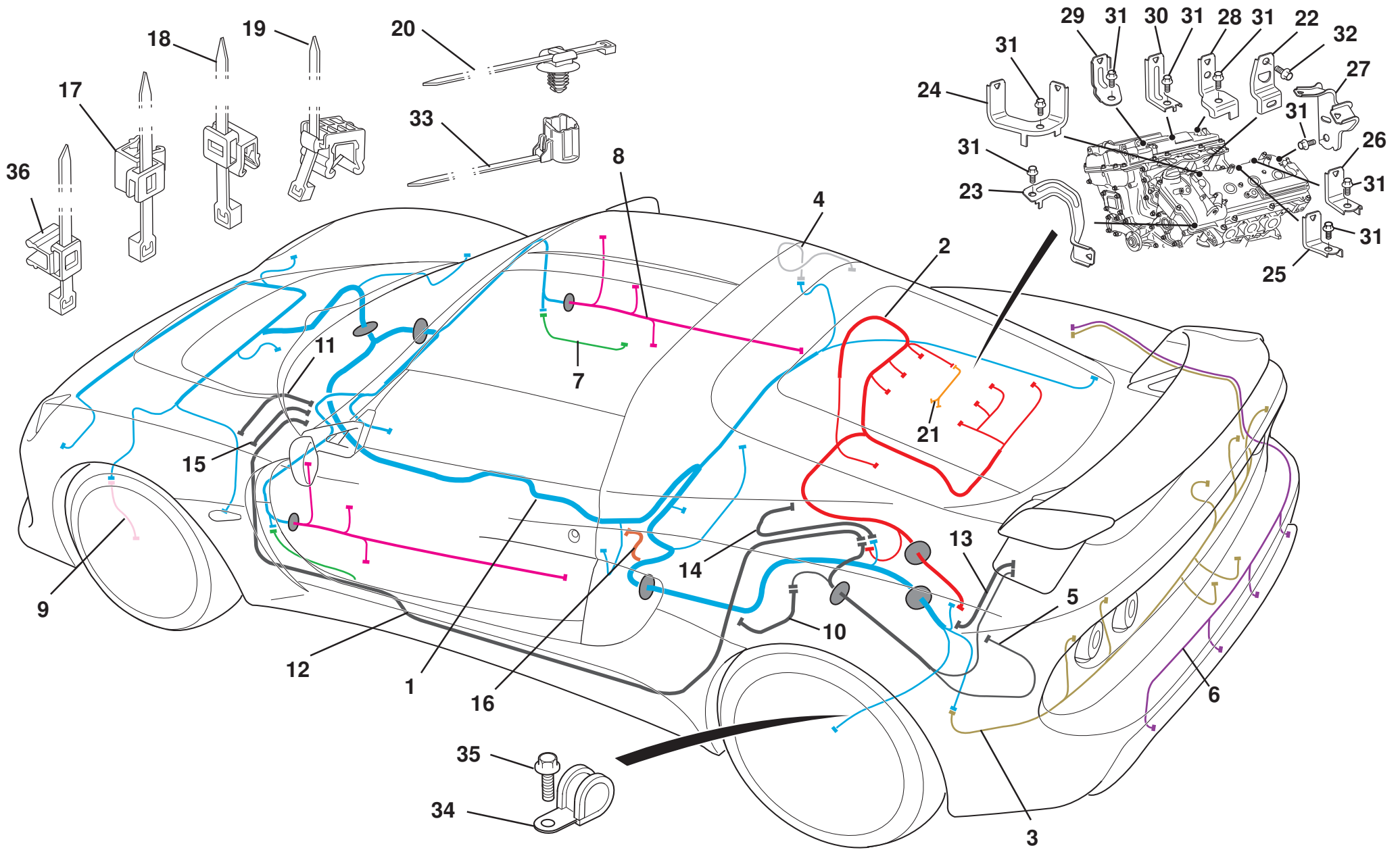
<u>Dep</u>	<u>Part Description</u>	<u>Remarks</u>	<u>Option</u>	<u>Part Number</u>	<u>Qty</u>
01	NVH Foam Panel, bulkhead		Exige S not fitted to base car	A120V0003K	1
01a	NVH Foam Panel, bulkhead	TBC	Exige S Gulf States	A138V0653F	1
01b	NVH Foam Panel, bulkhead	TBC	Exige Sport 350	A138V0691F	1
02	Sheet Damping, bulkhead		Exige S	A117V0511F	1
03	Sheet Damping, footwell			A117B0558F	2
04	Foam Block, self adhesive		Exige S fitted to base car	A117M6041F	2
05	NVH Foam, steering column		Exige S	A117V0532Z	1
06	Insulation Alarm Sensor, RF shield	Self adhesive foil	Exige S	A121B0134F	1
07	NVH Foam, bodyside front			B138B0234F	2
08	Tape, Tessaband 4661, sill holes covering			A116V6008F	1.2M
09	Insulation Boot Floor			C138B0029F	1
10	Seal, Seat Belt Anchor Frame to bulkhead			A120B0207F	2
11	NVH Mat, inner tank bay panel			A116V0120F	2
12	Blanking Patch, scuttle beam holes, 38mm dia,			A116A0184F	10
13	Blanking Patch, scuttle beam holes & RH bodyside 20mm dia.			A111V0206F	9
14	Insulation Kit Boot Wall			B138B0028F	1
15	Sheet Damping, seating			A116V0309F	2
15a	Sheet Damping, seating		Exige Sport 350	A117B0558F	2

EXIGE

**Function Code 16.01 Passenger Compartment Sound Insulation**

<u>Dep</u>	<u>Part Description</u>	<u>Remarks</u>	<u>Option</u>	<u>Part Number</u>	<u>Qty</u>
16	NVH Block Bulkhead LH		Exige Sport 350	A138V4337F	1
17	NVH Block Bulkhead RH		Exige Sport 350	A138V4338F	1
18	NVH Block Bulkhead Upper LH		Exige Sport 350	A138V4339F	1
19	NVH Block Bulkhead Upper RH		Exige Sport 350	A138V4340F	1
20	NVH Foam Block, front bulkhead insert		Exige Sport 350	A138B0693F	2
21	NVH Foam Block, 'A' pillar		Exige Sport 350	A120B0208F	2
22	NVH Foam Block, 'A' pillar lower		Exige Sport 350	A138V0432F	1
23	NVH Fleece, front bulkhead upper LHD		Exige Sport 350	A138V4341F	1
23a	NVH Fleece, front bulkhead upper RHD		Exige Sport 350	A138V4342F	1
24	NVH Fleece, front bulkhead lower LHD		Exige Sport 350	A138V4343F	1
24a	NVH Fleece, front bulkhead lower RHD		Exige Sport 350	A138V4344F	1
25	Damping, footwell driver LHD		Exige Sport 350	A138V0728F	1
25a	Damping, footwell driver RHD		Exige Sport 350	A138V0730F	1
26	Damping, footwell passenger LHD		Exige Sport 350	A138V0729F	1
26a	Damping, footwell passenger RHD		Exige Sport 350	A138V0731F	1
27	NVH Foam Panel, bulhead insert		Exige Sport 350	A138V0692F	1





**EXIGE**

17.01

Updated 2nd May 2017

# Service Parts List

# EXIGE



## Function Code 17.01 Harnesses, Leads

<u>Dep</u>	<u>Part Description</u>	<u>Remarks</u>	<u>Option</u>	<u>Part Number</u>	<u>Qty</u>
01	Harness Main Manual		Exige S,	D138M0001F	1
01a	Harness Main Manual	Exposed gearshift	Exige Sport 350/380 & Cup	A138M0184F	1
01b	Harness Main, Auto		Exige S	A138M0002F	1
01c	Harness Main, Auto		Exige Sport 350	C138M0101F	1
01d	Harness Main Manual		Gulf States Exige S	A138M0068F	1
01e	Harness Main, Auto		Gulf States Exige S	A138M0084F	1
01f	Harness Main, Auto		Exige Sport 380	A138M0139F	1
02	Harness Engine V6, Manual		Exige S	I132M0002F	1
02a	Harness Engine V6, Manual		Exige Sport 350	A138M0103F	1
02b	Harness Engine V6, Auto		Exige S	F132M0205F	1
02c	Harness Engine V6, Auto		Exige Sport 350	A138M0104F	1
02d	Harness Engine V6, Manual		Exige Sport 380/Cup 380	B138M0140F	1
02e	Harness Engine V6, Auto		Exige Sport 380	A138M0141F	1
03	Harness Rear Euro			B138M0004F	1
03a	Harness Rear		Exige Sport 380	A138M0143F	1
04	Harness Tailgate			B138M0003F	1
05	Harness Battery	See also 17.31		A138M0012F	1
06	Harness Parking Aid			B138M0028F	1

EXIGE

**Function Code 17.01 Harnesses, Leads**

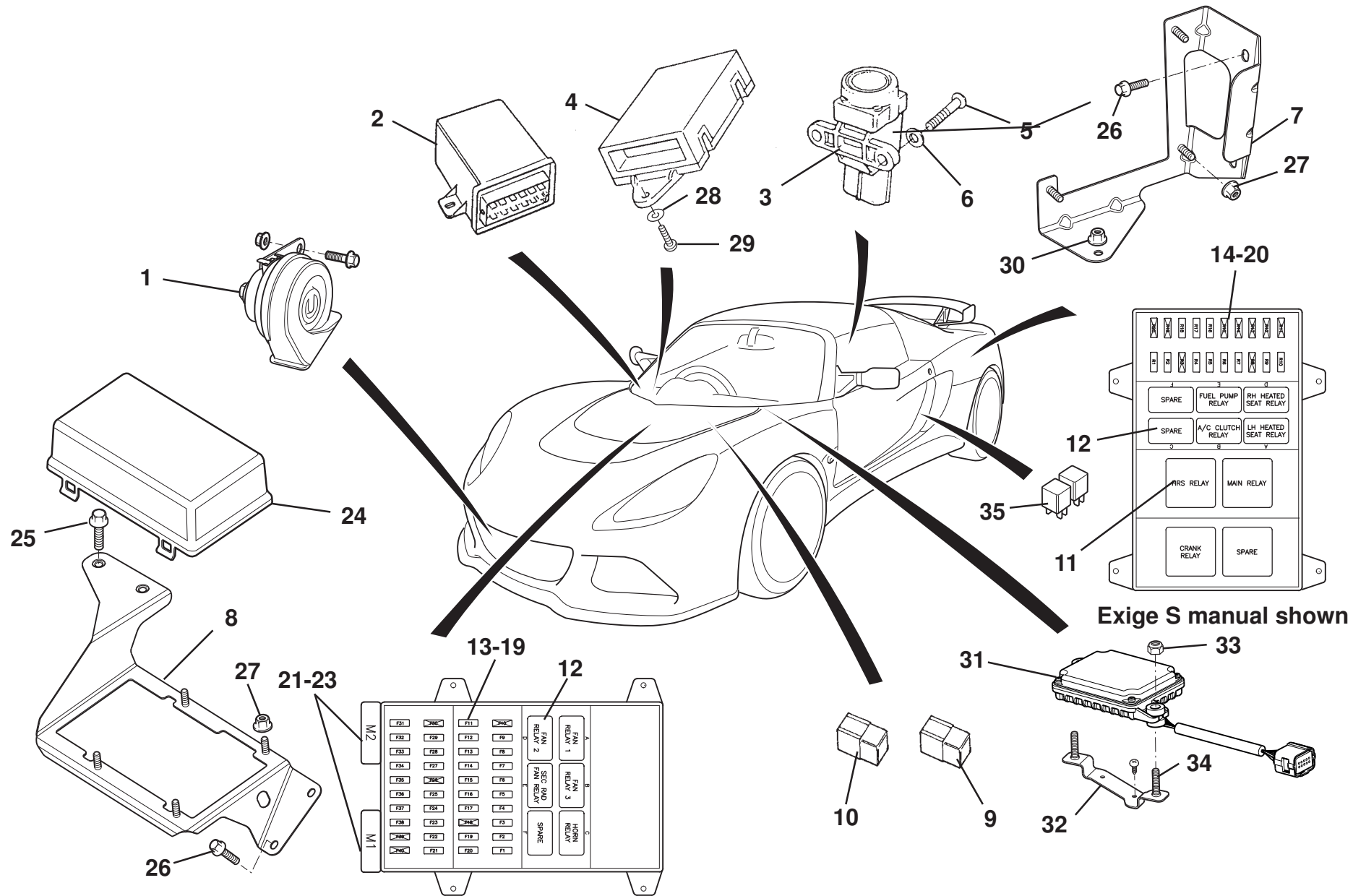
<u>Dep</u>	<u>Part Description</u>	<u>Remarks</u>	<u>Option</u>	<u>Part Number</u>	<u>Qty</u>
07	Harness Courtesy Switch Jumper			A138M0032F	2
08	Harness Door			E117M0118F	2
09	Lead Extension, wheel speed sensor front suspension			A120M6046F	2
10	Cable, Gearbox to chassis earth			A138M0015F	1
11	Cable, CDL power up (negative)	Front services compartment		B122M0012F	1
12	Cable, front positive stud to rear positive stud	See also 17.31	Manual	A138M0013F	1
12a	Cable, front positive stud to rear positive stud		Auto	A138M0072F	1
12b	Cable, front positive stud to rear, auxillary ACU	TBC	Gulf States Exige S	A138M0069K	1
12c	Cable, front positive stud to rear, auxillary ACU, Auto	TBC	Auto, Gulf States, Manual & Auto Exige Sport 350	A138M0085F	
13	Battery Negative Cable, ECU plate to battery	See also 17.31		A138M0016F	1
14	Cable, rear positive stud to starter motor	See also 17.31	Manual	A138M0014F	1
14a	Cable, rear positive stud to starter motor		Auto	A138M0075F	1
15	Cable, CDL power up (positive)	Front services compartment	Manual	B122M0011F	1
15a	Cable, CDL power up (positive)	Front services compartment	Auto	A138M0067F	1
16	Harness fuel tank, low pressure fuel pump			A147M0011F	1
16a	Harness fuel tank, High pressure fuel pump & relay			A147M0005F	1
16b	Harness fuel tank, High pressure fuel pump & relay		Battery isolator & no alarm	A147M0010F	1
17	Edge Clip Cable Tie, side fixing*	5 used on item 01		A126W6896F	5
18	Edge Clip Cable Tie, side fixing*	2 used on item 01, 2 used on item 04		A126W6895F	4



**Function Code 17.01 Harnesses, Leads**

<u>Dep</u>	<u>Part Description</u>	<u>Remarks</u>	<u>Option</u>	<u>Part Number</u>	<u>Qty</u>
19	Edge Clip Cable Tie, side fixing*	3 used on item 01, 8 used on item 06		A120W6900F	11
20	Fir Tree Clip Cable Tie*	27 used on item 01		A116K6020F	27
21	Sensor Cable			A132E6293S	1
22	Bracket Wiring Harness			A132E6294S	1
23	Bracket Wiring Harness			A132E6341S	1
24	Bracket Wiring Harness			A132E6342S	1
25	Bracket Wiring Harness			A132E6343S	1
26	Bracket Wiring Harness			A132E6344S	1
27	Bracket Wiring Harness			A132E6345S	1
28	Bracket Wiring Harness			A132E6346S	1
29	Bracket Wiring Harness			A132E6347S	1
30	Bracket Wiring Harness			A132E6348S	1
31	Bolt, hex flg hd.			A132E6471S	8
32	Bolt, hex flg hd.			A132E6424S	1
33	Stud Clip Cable Tie*	2 used on item 01		A132U6021F	2
34	'P' Clip, wheel speed sensor			A111W6595F	2
35	Screw M6 x 16, clip to wishbone			A132W5003F	2
36	Edge Clip Cable Tie, top fixing*	4 used on item 01, 1 used on item 05, 2 used on item 03		A126W6894F	7
		*See LSL626			





**EXIGE**  
17.03

*Updated 1st August 2016*

# Service Parts List

# EXIGE



## Function Code 17.03 Horn, Inertia Switch, Modules, Fuses & Relays

<u>Dep</u>	<u>Part Description</u>	<u>Remarks</u>	<u>Option</u>	<u>Part Number</u>	<u>Qty</u>
01	Horn 'High ' Note			A120B6076F	1
02	Module, central door locking, PFK		Exige S	A132M0118F	1
03	Inertia switch			A082M6598F	1
04	Switch Controller			D117M0008F	1
05	Screw, M5 x 16, pan hd. pozi.			A082W5107F	2
06	Washer, flat, M5 x 10 x 1.0			A075W4011Z	7
07	Bracket, fuse box rear			A138M0018F	1
08	Bracket, fuse box front LH, RHD			A138M4003F	1
08a	Bracket, fuse box front RH. LHD			A138M4004F	1
09	Module, wiper delay	Located in footwell		A082M6457F	1
10	Module, flasher unit	Audiable	Excluding Exige Sport 350 manual	A120M0096F	1
10a	Module, flasher unit	Audiable	Exige Sport 350 manual	A138M0117F	1
11	Relay, single contact changeover 30A	Heated Rear Screen, Main, Start		C079M6141F	3
12	Relay, single contact c-o micro	Fan 1 2 3, Horn, Rad Fan, F/Pump, H/Seat, A/C Clutch		A132M6002F	9
13	Fuse, 3A, violet	See Service Notes, section MP		A082M6243F	1
14	Fuse, 2A, grey	See Service Notes, section MP		A082M6316F	3
15	Fuse, 20A, yellow	See Service Notes, section MP		A082M6249F	8

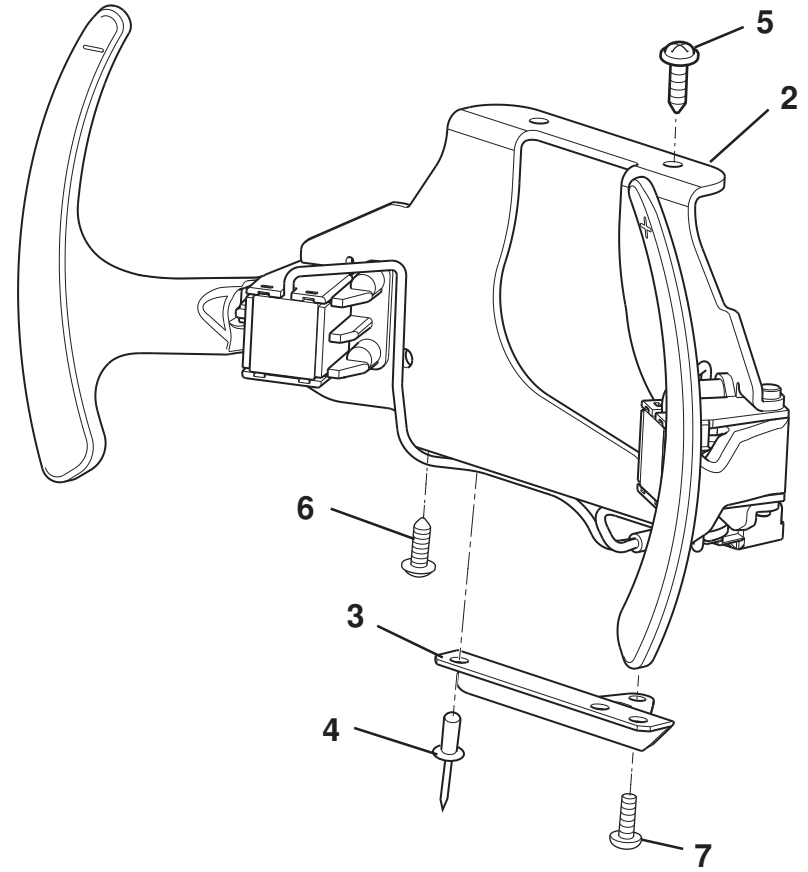
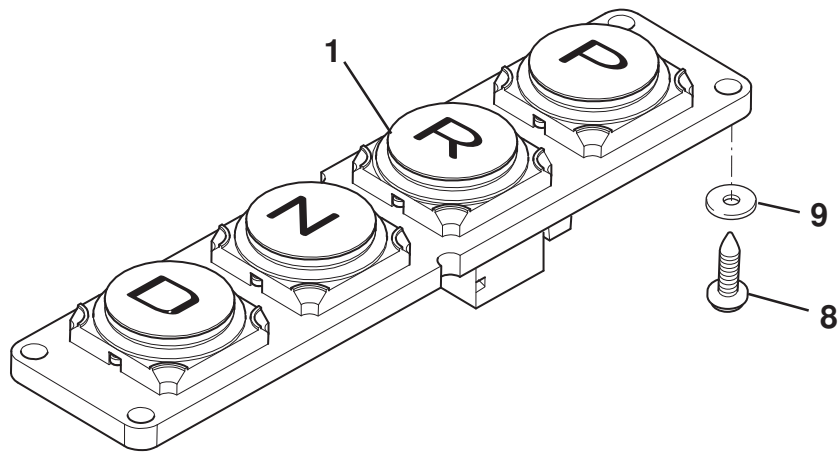
EXIGE



**Function Code 17.03 Horn, Inertia Switch, Modules, Fuses & Relays**

<u>Dep</u>	<u>Part Description</u>	<u>Remarks</u>	<u>Option</u>	<u>Part Number</u>	<u>Qty</u>
16	Fuse, 5A, orange	See Service Notes, section MP		A082M6245F	8
17	Fuse, 7.5A, brown	See Service Notes, section MP		A082M6246F	9
18	Fuse, 10A, red	See Service Notes, section MP		A082M6247F	11
19	Fuse, 15A, light blue	See Service Notes, section MP		A082M6248F	4
20	Fuse, 25A, clear	See Service Notes, section MP		A082M6250F	1
21	Maxi Fuse 40A, orange	See Service Notes, section MP		Not available	1
22	Maxi Fuse 25A, black	See Service Notes, section MP		Not available	1
23	Maxi Fuse 50A, red	See Service Notes, section MP	Auto	Not available	2
24	Fuse Box Cover			A138M6005F	1
25	Screw M8 x 20 hex flg, fuse box bracket			A132W5005F	2
26	Screw M6 x 16, hex flange, fuse box brackets			A132J6025F	4
27	Nut M6, hex flg, fuse box bracket			A117W3180F	7
28	Screw-M4 x 12 pan pozi			A100W5143F	2
29	Washer, flat, M4 x 9 x 0.8			A082W4099F	2
30	Nut Nyloc M5, fuse box bracket			A132W3000F	1
31	TPMS Module 434mhz			A132M0376F	1
31a	TPMS Module 315mhz		Japan	A132M0377F	1
32	Bracket TPMS			A132M0418F	1
33	Nut Nyloc M6 thin, tpms module			A907E6285F	2
34	Screw M4 x 12 pan pozi, tpms bracket			A075W5132F	2
35	Relay Single Contact Changeover 30A			C079M6141F	2





**EXIGE**

17.04

*Updated 5th January 2015*

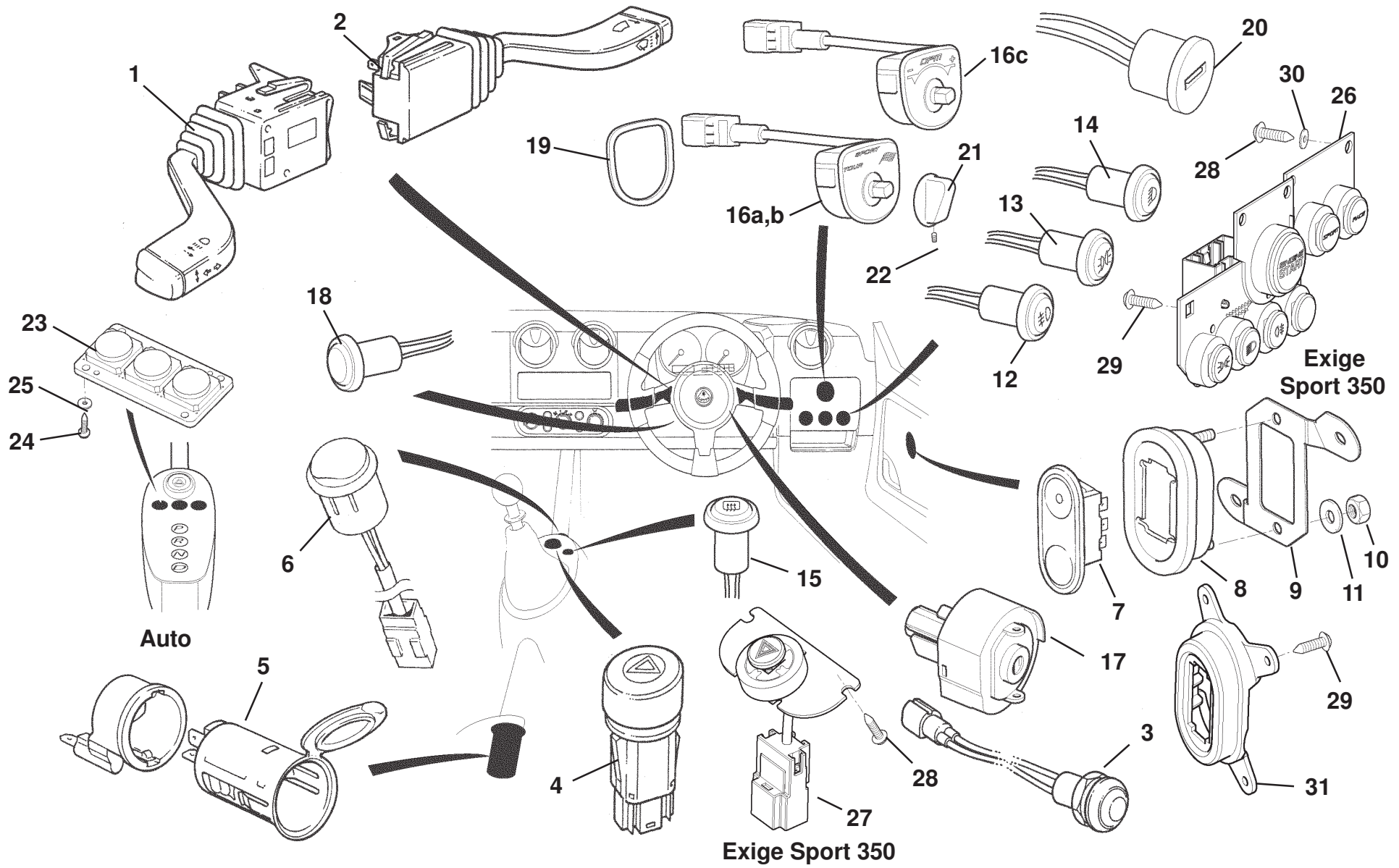
# Service Parts List

# EXIGE



## Function Code 17.04 Paddle Shift Controls & Switches

<u>Dep</u>	<u>Part Description</u>	<u>Remarks</u>	<u>Option</u>	<u>Part Number</u>	<u>Qty</u>
01	Switch Gear Select Control Panel	To be confirmed		A138M0062F	1
02	Paddle Shift Mechanism Assembly			B120A0188F	1
03	Reinforcement Bracket	To be confirmed		A138H0009F	1
04	Rivet			A075W6087Z	2
05	Screw No 6 x 1/2 pozi, blk			A075W5020F	2
06	Screw No 10 x 1/2 pan pozi, blk			A075W5040Z	2
07	Screw M4 x 12 pan pozi			A075W5132F	1
08	Screw, M3 x 8, flg. pozi. hd. S/T, switch retaining			A132W5020F	4
09	Washer M3, s/proof			A132W4001F	4



**EXIGE**  
17.05

*Updated 5th December 2016*

# Service Parts List

# EXIGE



## Function Code 17.05 Interior Switches, Auxiliary Power Socket

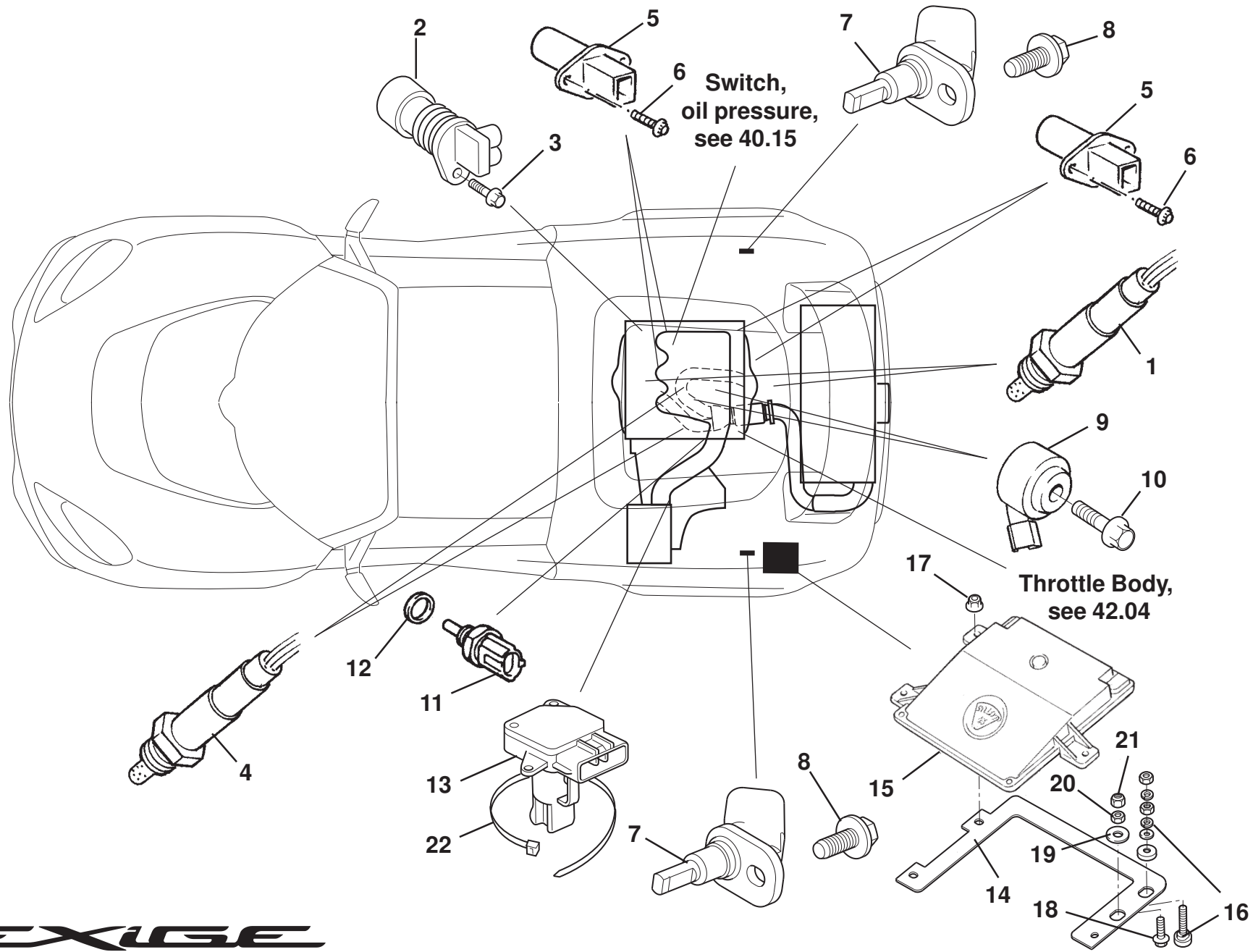
<u>Dep</u>	<u>Part Description</u>	<u>Remarks</u>	<u>Option</u>	<u>Part Number</u>	<u>Qty</u>
01	Column Switch, LH, indicators/dip/flash			A100M6048F	1
01a	Column Switch, LH, indicators/dip/flash		Cruise control	A126M6010F	1
02	Column Switch, RH, windscreen wipe/wash			A100M6049F	1
03	Switch, panel light dimmer/trip reset			B117M0048F	1
04	Switch, hazard			A340M6016F	1
05	Auxiliary Power Socket			A117M6024F	1
06	Switch, central door locking			A117M0124F	1
07	Switch, window lift			A117M6064F	2
08	Bezel Assembly, window lift switch			A138V0008J	2
09	Bracket, switch bezel LH			A138V4067F	1
09a	Bracket, switch bezel RH			A138V4068F	1
10	Nyloc Nut, M4, backplate to trim panel			A075W3049F	4
11	Washer, flat, M4 x 9, backplate to trim panel			A082W4099F	4
12	Switch, rear fog			A138M0023F	1
13	Switch, side lamps			B138M0024F	1
14	Switch, headlamps			A138M0025F	1
15	Switch, heated rear screen			A138M0005F	1
16	Switch, sport multi position, latched, no launch control	Supplied without Knob	C138M0033F R/B	A138M0052F	1

EXIGE

**Function Code 17.05 Interior Switches, Auxiliary Power Socket**

<u>Dep</u>	<u>Part Description</u>	<u>Remarks</u>	<u>Option</u>	<u>Part Number</u>	<u>Qty</u>
16a	Switch, sport multi position, launch control	Supplied without Knob	C138M0007F R/B	<b>A138M0051F</b>	1
16b	Switch, DPM, momentary +-, launch control	Supplied with Knob	All Models From Auto introduction see TSB 2015/09	<b>B138M0082J</b>	1
17	Ignition Switch	Part of upper steering column		<b>A111M6108S</b>	1
18	Switch, exhaust valve			<b>A127M6008F</b>	1
19	Gasket, sport switch			<b>A138M0041F</b>	1
20	USB Charging Port			<b>B120M0077F</b>	1
21	Knob, multi position switch			<b>B138M0080F</b>	1
22	Set Screw, multi position switch knob			<b>A138W5010F</b>	1
23	Switch Auxillary Functions, heated rear screen	TBC	Auto	<b>B138M0063F</b>	1
23a	Switch Auxillary Functions, heated rear screen & seats	TBC	Auto	<b>B138M0064F</b>	1
24	Screw, M3 x 8, flg. pozi. hd. S/T, switch retaining			<b>A132W5020F</b>	4
25	Washer M3, s/proof			<b>A132W4001F</b>	4
26	Switch Panel, driver	TBC	Exige Sport 350	<b>A138M0131F</b>	1
27	Switch, hazard	TBC	Exige Sport 350	<b>A138M0102F</b>	1
28	Screw, M3 x 8, flg. pozi. hd. S/T, switch retaining			<b>A132W5020F</b>	10
29	Screw Self Tap, no. 6 flg pozi, switch retaining			<b>A075W5019Z</b>	10
30	Washer Retaining M4 , nylon			<b>A138W4005F</b>	4
31	Bezel, window lift switch LH		Exige Sport 350	<b>A138V4333F</b>	1
31a	Bezel, window lift switch RH		Exige Sport 350	<b>A138V4334F</b>	1





**EXIGE**

17.06

*Updated 5th December 2016*

# Service Parts List

# EXIGE



## Function Code 17.06 Engine Management & Sensors

<u>Dep</u>	<u>Part Description</u>	<u>Remarks</u>	<u>Option</u>	<u>Part Number</u>	<u>Qty</u>
01	Sensor, oxygen, pre-catalyst			A117E6007F	2
02	Sensor, crankshaft position			A132E6282S	1
03	Bolt, flg. hd., sensor to block			A132E6466S	1
04	Sensor, oxygen, post-catalyst			A117E6007F	2
05	Sensor, camshaft position			A132E6283S	4
06	Bolt, flg. hd., sensor to cam cover			A132E6478S	4
07	Wheel Speed Sensor, rear suspension			A132J6001F	2
08	Bolt, flg. hd.,			A132W5002F	4
09	Sensor, knock control			A132E6298S	2
10	Bolt, flg. hd.,			A132E6469S	2
11	Sensor, coolant temperature			A132E6258S	1
12	Gasket, coolant temperature sensor			A120E6378S	1
13	Meter, air intake flow			A132E6482S	1
14	Bracket ECU			A138E0006F	1
15	Electronic Control Module (ECM) Lotus programmed	Special Order using LSL618, See TSB 2013/01		LOTAC05544	1
15a	Label ECU, gold	Not illus, order with item 15	350	A138E0012F	1
15b	Label ECU, yellow	Not illus, order with item 15	Sport 380	A138E0066F	1
15c	Label ECU, violet	Not illus, order with item 15	Cup 380	A138E0079F	1

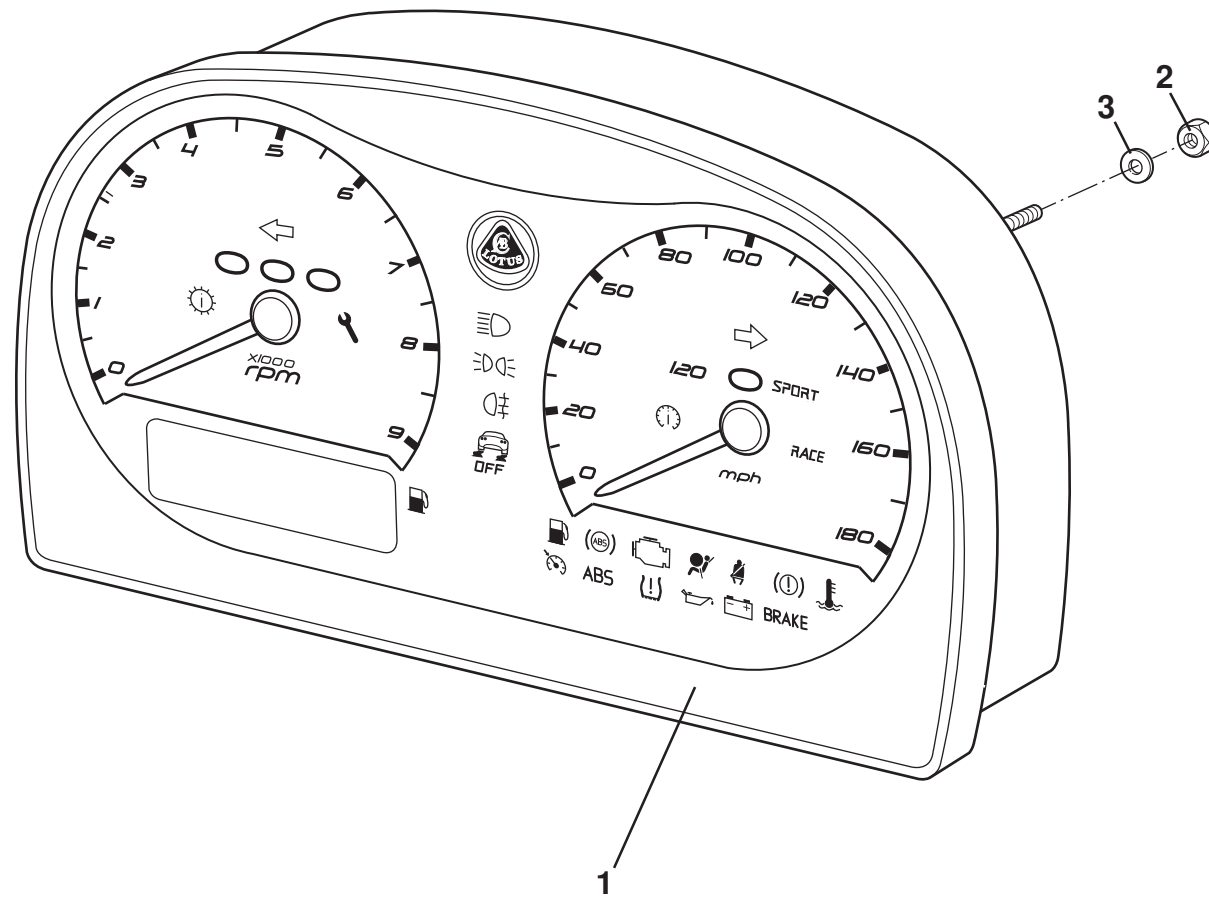
EXIGE



---

**Function Code 17.06 Engine Management & Sensors**

<u>Dep</u>	<u>Part Description</u>	<u>Remarks</u>	<u>Option</u>	<u>Part Number</u>	<u>Qty</u>
16	Binding Post, ECU bracket			A089M6033F	2
17	Nut Nyloc, M6, flg., ECU to bracket	For Auto see 17.09	Manual	A132W3000F	3
18	Bolt M6 x 20, flg. hd. throttle earth cable			A075W1030Z	1
19	Washer Flat M6 x 25 x 1.5, throttle earth cable			B075W4017Z	1
20	Nut M6, throttle earth cable			A075W2030Z	1
21	Nut Nyloc, M6, throttle earth cable			A075W3009Z	1
22	Cable Tie	Refer to TSB 2016/25		A138W6034F	1



**EXIGE**

17.07

*Updated 1st May 2013*

# Service Parts List

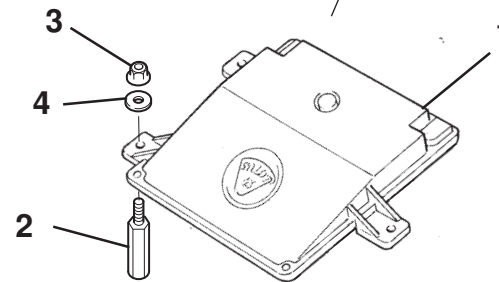
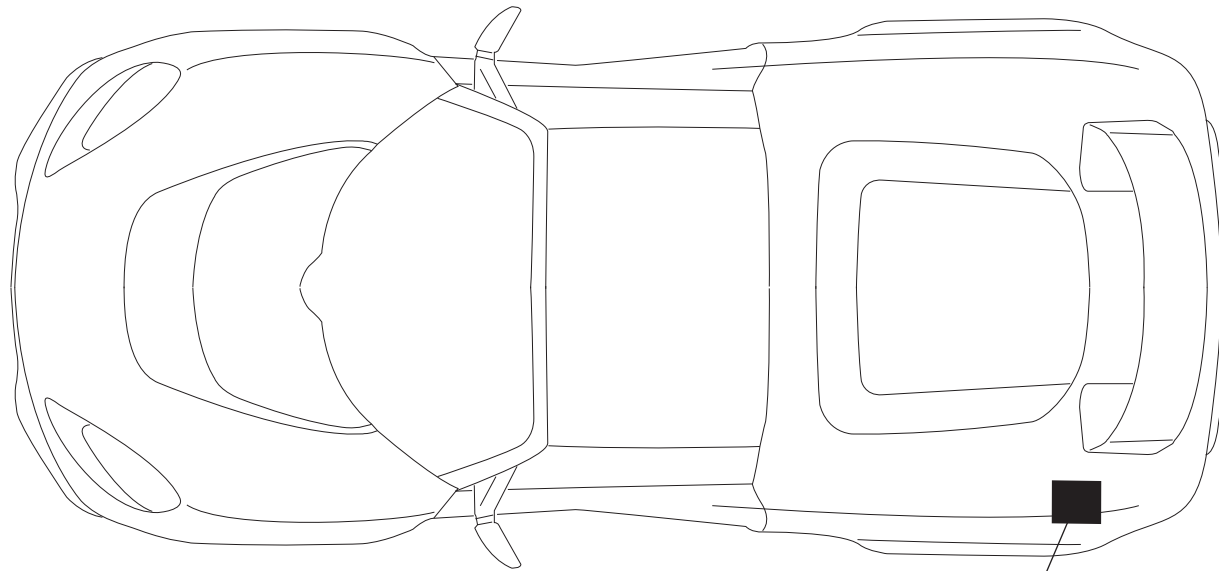
# EXIGE



## Function Code 17.07 Instruments, Tell Tales, & Displays

<u>Dep</u>	<u>Part Description</u>	<u>Remarks</u>	<u>Option</u>	<u>Part Number</u>	<u>Qty</u>
01	Instrument Pack, MPH	Pack needs to be variant coded using TechCentre	Up to MY17.5	A138N0002F	1
01a	Instrument Pack, MPH	Pack needs to be variant coded using TechCentre	MY17.5	A147N0002F	
01b	Instrument Pack, Km/h	Pack needs to be variant coded using TechCentre	Up to MY17.5	A138N0001F	1
01c	Instrument Pack, Km/h	Pack needs to be variant coded using TechCentre	MY17.5	A147N0001F	
01d	Instrument Pack, Km/h	Pack needs to be variant coded using TechCentre	China, Up to MY17.5	A138N0003F	1
02	Nut, M4, pack to brackets			A075W3019F	4
03	Washer, flat, M4			A082W4099F	4

EXIGE



**EXIGE**

17.09

*Updated 2nd February 2015*

# Service Parts List

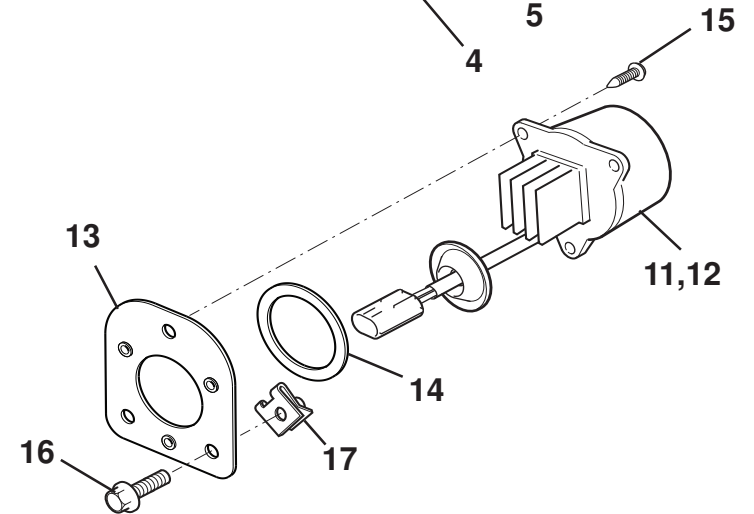
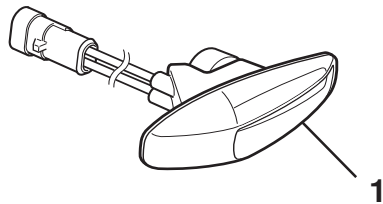
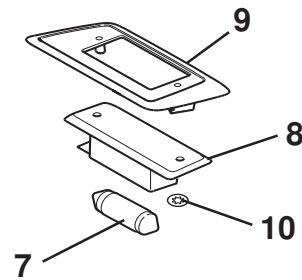
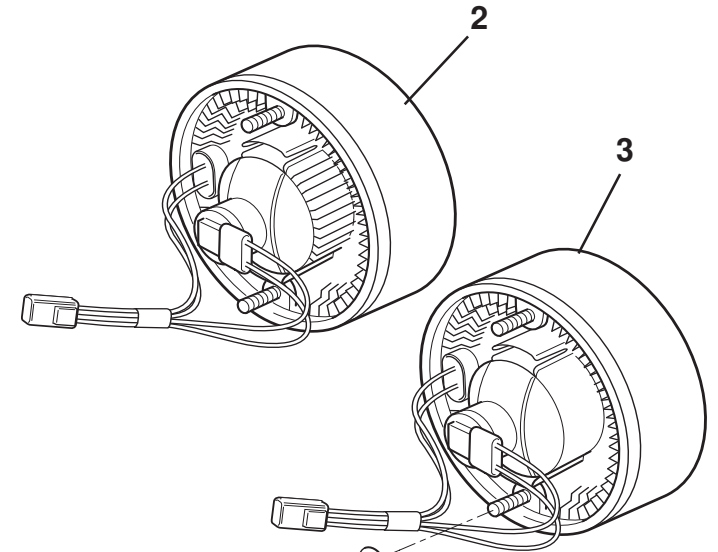
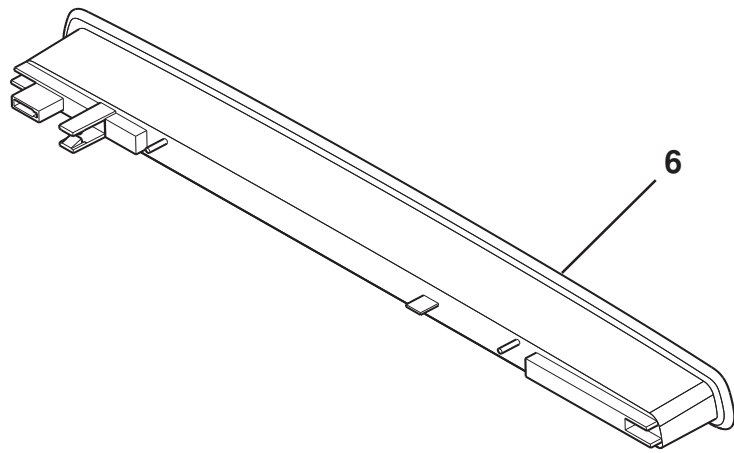
# EXIGE



## Function Code 17.09 Transmission Management & Sensors

<u>Dep</u>	<u>Part Description</u>	<u>Remarks</u>	<u>Option</u>	<u>Part Number</u>	<u>Qty</u>
01	Transmission Control Unit (TCU) uncalibrated	Dealer programmed		C132F0074F	1
01a	Label, TCU,Euro	Not illus., order with item 1a	Auto NA, Europe	A132U0566F	1
01b	Label, TCU,Fed	Not illus., order with item 1a	Auto NA, Fed	A132U0567F	1
02	Special Stud M6			A138W6001F	3
03	Nut M6 hex flg			A117W3180F	3
04	Washer M6 x 15 x 1.5			A075W4015Z	3

EXIGE



**EXIGE**

17.11

*Updated 3rd March 2017*

# Service Parts List

# EXIGE



## Function Code 17.11 Exterior Lamps, Except Headlamps

<u>Dep</u>	<u>Part Description</u>	<u>Remarks</u>	<u>Option</u>	<u>Part Number</u>	<u>Qty</u>
01	Side Repeater, LH			A138M4001F	1
01a	Side Repeater, RH			A138M4002F	1
02	Lamp, inner, rear fog, reverse, LED	Grey body moulding		B120M0035F	1
03	Lamp, outer, tail. turn, stop/tail, LED	Grey body moulding		B120M0034F	1
04	Nyloc Nut, M5, thin, lamp to body			A075W3008Z	8
05	Washer, flat, M5 x 18 x 1.5 S/S, lamp to body			B075W4009Z	8
06	CHMSL			A138M6000F	1
07	Bulb, 12v 5w, license plate			A083M6292F	2
08	Lamp, rear number plate			A138M6002F	2
09	Bezel, licence plate lamp LH	Unpainted		A138B4113F	1
09a	Bezel, licence plate lamp RH	Unpainted		A138B4114F	1
10	Clip Star 9 x 4, bezel to number plate lamp	No longer used by production not available		A138W6000F	4
11	Rear Fog Lamp			B132M0350F	1
12	Reverse Lamp			B132M0351F	1
13	Closing Plate Assembly			A138M0177F	2
14	Gasket			A138M0179F	2
15	Screw M4 x 16 pan pozi			A132W5038F	6
16	Screw M5 x 16 hex flg hd			A132W5016F	6

EXIGE

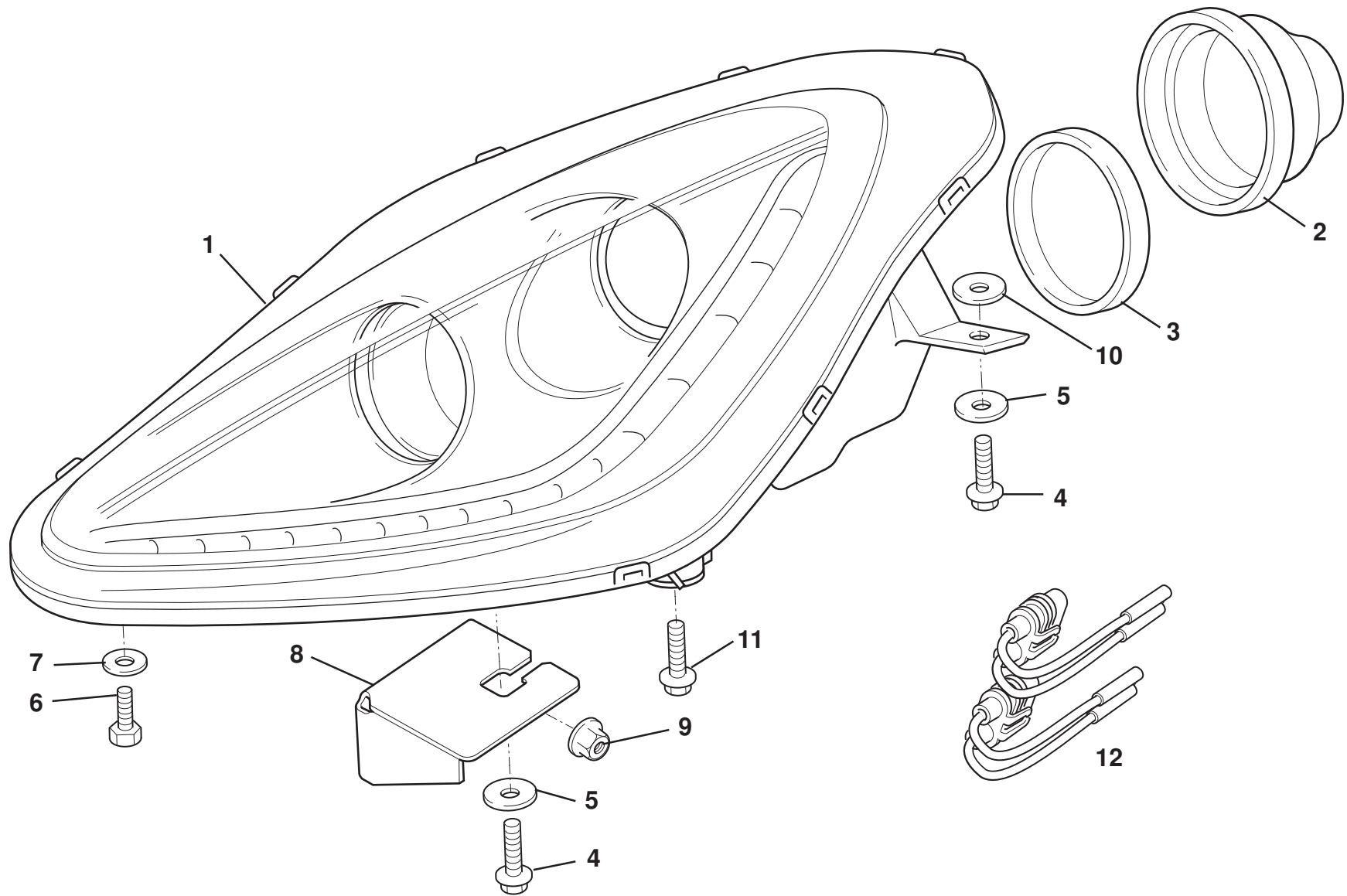
---

**Function Code 17.11 Exterior Lamps, Except Headlamps**

<u>Dep</u>	<u>Part Description</u>	<u>Remarks</u>	<u>Option</u>	<u>Part Number</u>	<u>Qty</u>
17	Speed Nut M5			B100W6372F	6

---





**EXIGE**

17.13

*Updated 4th February 2016*

# Service Parts List

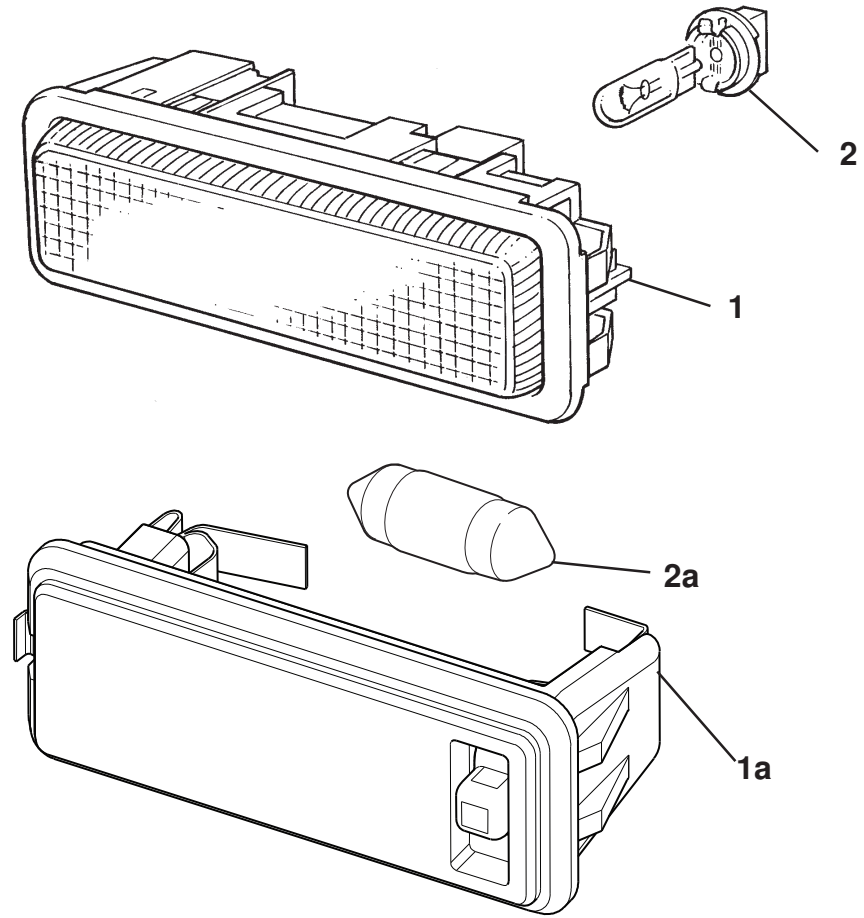
# EXIGE



## Function Code 17.13 Headlamps

<u>Dep</u>	<u>Part Description</u>	<u>Remarks</u>	<u>Option</u>	<u>Part Number</u>	<u>Qty</u>
01	Headlamp Assembly, LH, RHD			A120M4001F	1
01a	Headlamp Assembly, RH, RHD			A120M4002F	1
01b	Headlamp Assembly, LH, LHD			A120M4003F	1
01c	Headlamp Assembly, RH, LHD			A120M4004F	1
02	Access Cover, rubber, upper, dipped bulb	Part not available separately			2
03	Access Cover, rubber, lower, main bulb	Part not available separately			2
04	Bolt M6 x 14 hex flg, lamp retention			A116W5233F	2
05	Washer Flat M6 x 25 x 1.4, lamp retention			B075W4017Z	2
06	Screw M6 x 12 hex flg, lamp retention			A075W1027Z	1
07	Washer Flat M6 x 18 x 1, lamp retention			B082W4018F	4
08	Headlamp Bracket LH			A120B4089F	1
08a	Headlamp Bracket RH			A120B4090F	1
09	Nut M6 hex flg			A117W3180F	4
10	Shim 9 x 28 x 3			A124B0255F	As req.
10a	Shim 9 x 28 x 1 C type			B124B0257F	As req.
11	Bolt M6 x 16 hex flg, lamp retention			A918W5208F	1
12	Headlamp Repair Kit	Supplied as a pair for both headlamps see LSL642		A120M0106F	1

EXIGE



**EXIGE**

17.17

*Updated 4th January 2016*

# Service Parts List

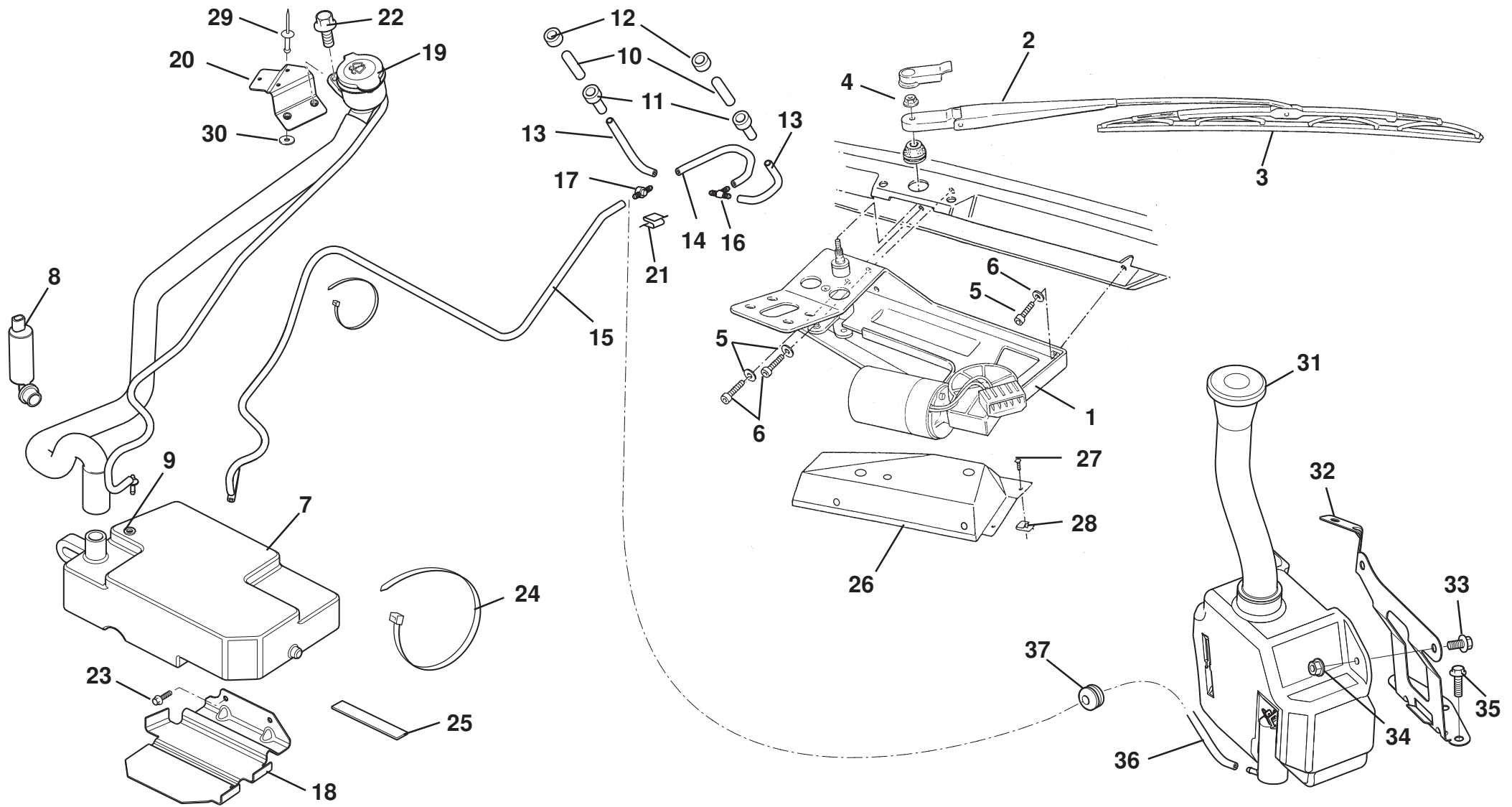
# EXIGE



## Function Code 17.17 Interior Lamps

<u>Dep</u>	<u>Part Description</u>	<u>Remarks</u>	<u>Option</u>	<u>Part Number</u>	<u>Qty</u>
01	Interior Lamp			A082M6644F	1
01a	Interior Lamp led			A120M0094F	1
02	Bulb, interior lamp, 5W	Part of bulb & fuse kit		LOTAC05345	1
02a	Led Bulb			A120M0105F	1

EXIGE



**EXIGE**

17.21

*Updated 3rd January 2017*

# Service Parts List

# EXIGE



## Function Code 17.21 Windscreen Wiper Motor, Wipers & Washers

<u>Dep</u>	<u>Part Description</u>	<u>Remarks</u>	<u>Option</u>	<u>Part Number</u>	<u>Qty</u>
01	Wiper Drive Assembly, RHD			A117M0104F	1
01a	Wiper Drive Assembly, LHD			A117M0103F	1
02	Wiper Arm/Blade Assembly			B121B0057F	1
02a	Wiper Arm/Blade Assembly		Malaysian market only	A120B0556F	1
03	Wiper Blade			B120M0006H	1
04	Flange Nut, M8 x 1.25, arm to spindle			A111W3154F	1
05	Screw, M8 x 20, cap hd., motor bracket to body			A111W7141F	3
06	Washer, M8, spring, motor bracket to body			A075W4036Z	3
07	Washer Bottle Assembly	Includes pump and grommet		A138B0174F	1
08	Pump, screen wash			A138B0175F	1
09	Grommet, washer bottle			A082U6197F	1
10	Windscreen Washer Jet			A120W6796F	2
11	Spacer, washer jet			A111M6046K	2
12	Sleeve, washer jet	Bonded over jet & spacer		A111M0065F	1
13	Tube, 'T' piece to jet	Cut to fit		A116M0040V	As req.
14	Tube, non return vave to 'T' piece	Cut to fit		A116M0040V	As req.
15	Tube, bottle to non return valve	Cut to fit		A116M0040V	As req.
16	'T' piece, washer tubing			A111M6045K	1

EXIGE

**Function Code 17.21 Windscreen Wiper Motor, Wipers & Washers**

<u>Dep</u>	<u>Part Description</u>	<u>Remarks</u>	<u>Option</u>	<u>Part Number</u>	<u>Qty</u>
17	Valve, non return			A100M6062H	1
18	Bracket, washer bottle mounting			A138B0173F	1
19	Assembly Washer Fill System			A138B0179F	1
20	Bracket, wash fill system			A138B0180F	1
21	Clip, hose to wiper motor bracket			A132U6128F	2
22	Screw M5 x 16 hex flg			A132W5016F	2
23	Screw M6 X 16mm hex flg			A132W5003F	2
24	Tie Wrap			A138W6014F	2
25	Foam Strip 25mm X 12.5mm			A082U6065V	0.40m
26	Wiper Motor Cover RHD			A120B0133F	1
26a	Wiper Motor Cover LHD			A120B0134F	1
27	Screw, No.10 x 1/2", pozi., cover fix.			A075W5040Z	2
28	Spire Nut No. 8, cover, wiper motor fix			A075W6016Z	2
29	Pop Rivet			A132W6024F	3
30	Washer, flat, M4 x 9 x 0.8			A082W4099F	3
31	Washer Bottle Assembly	Rear mounted		A138B0632K	1
32	Bracket Washer Bottle	Rear mounted		A138B0634F	1
33	Bolt M8 x 20 hex flg hd			A132A6009F	3
34	Nut M8 hex flg			A132W3006F	3
35	Bolt M8 x 25 hex flg hd			A138W2007F	3
36	Tube, bottle to non return valve	4.5 m		A116M0040V	4.5 m



Function Code: 17.21, Page: 2

*Updated 3rd February 2017*

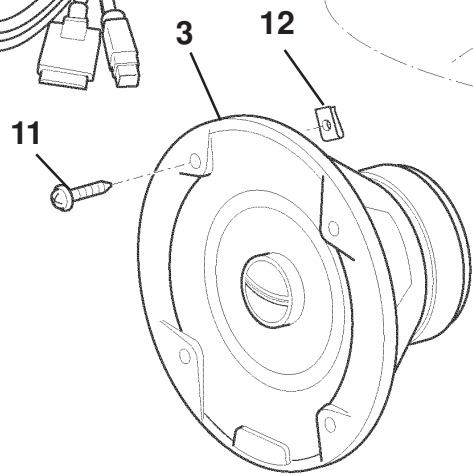
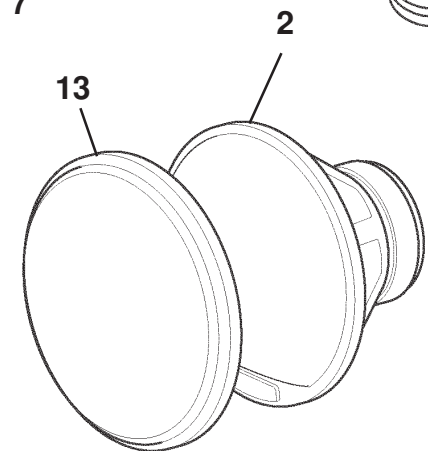
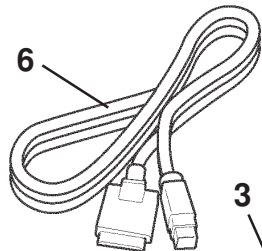
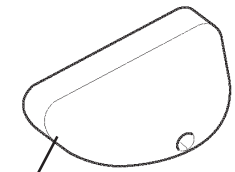
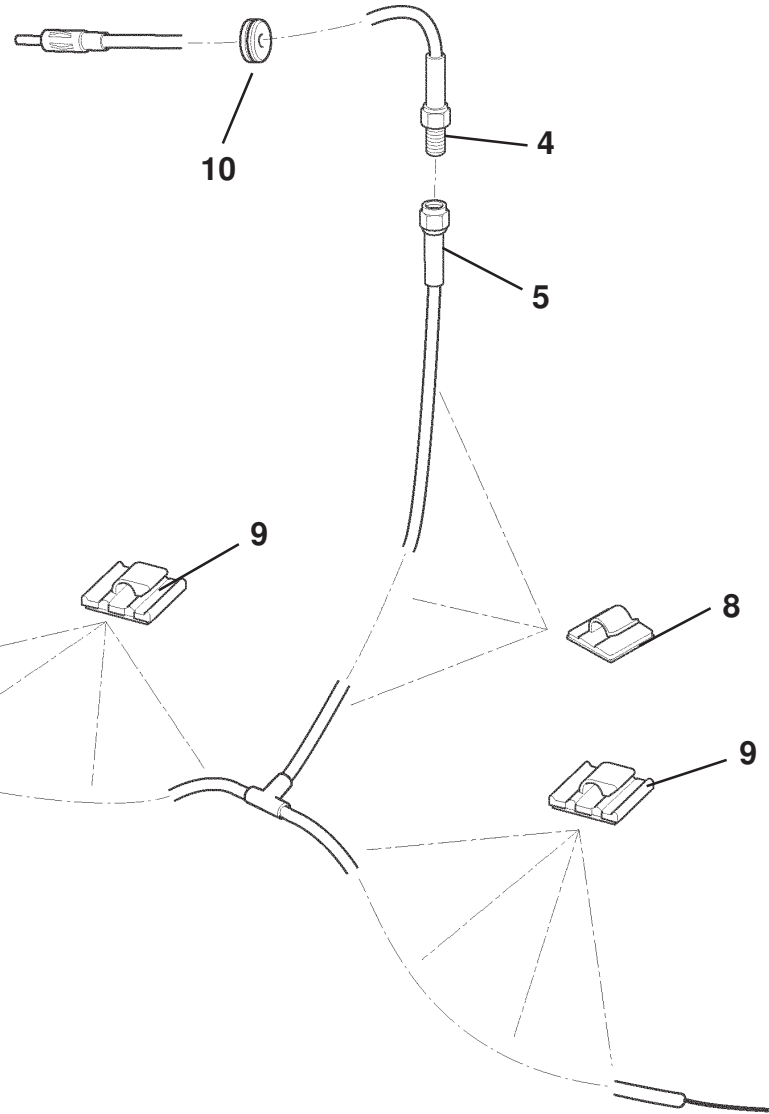
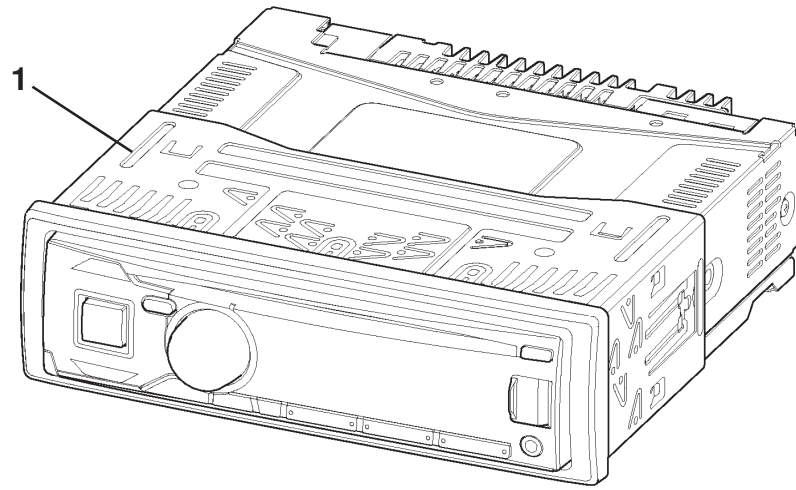
---

**Function Code 17.21 Windscreen Wiper Motor, Wipers & Washers**

<u>Dep</u>	<u>Part Description</u>	<u>Remarks</u>	<u>Option</u>	<u>Part Number</u>	<u>Qty</u>
37	Grommet			A138W6004F	1

---





**EXIGE**  
17.27

*Updated 4th February 2016*

# Service Parts List

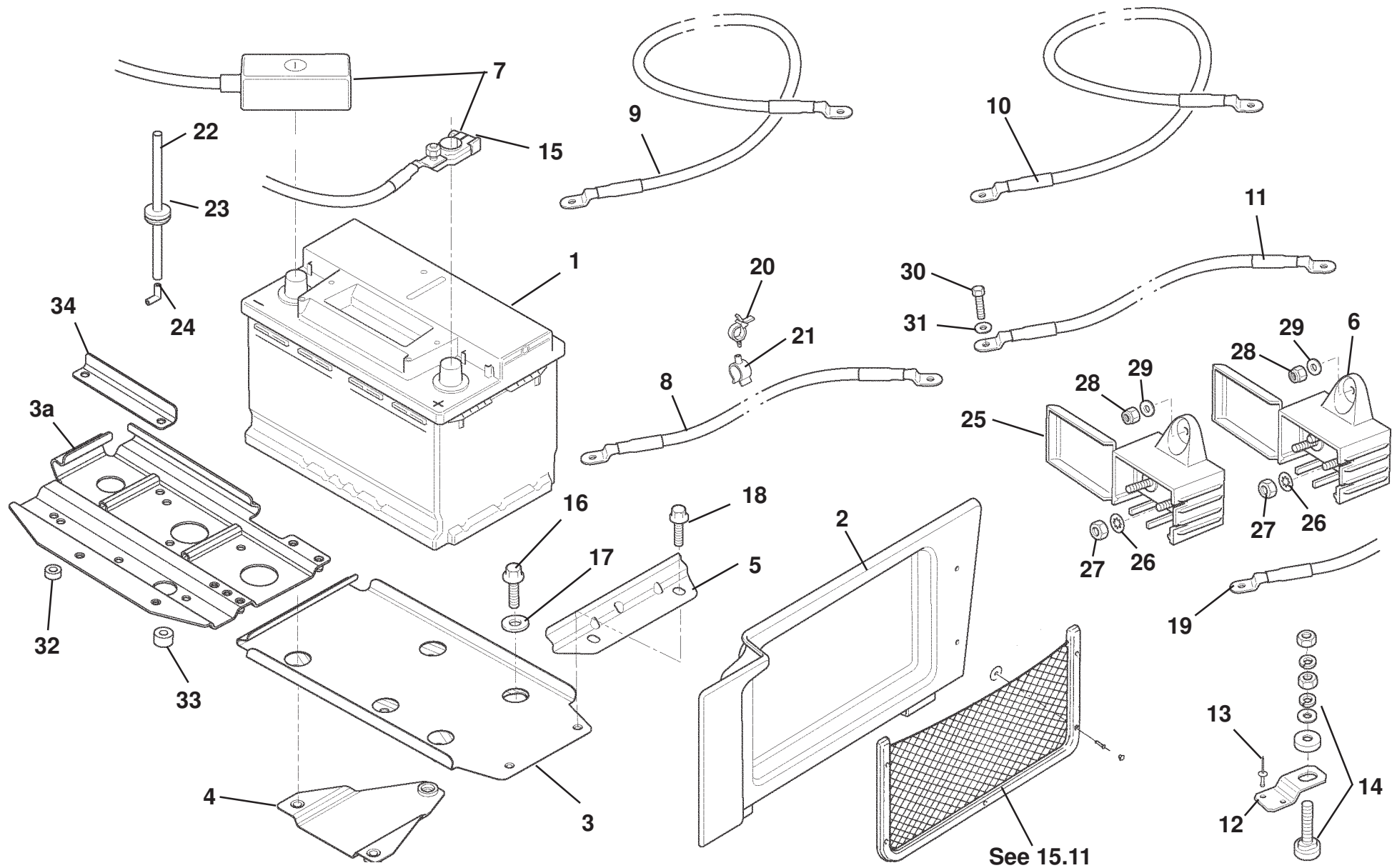
# EXIGE



## Function Code 17.27 In Car Entertainment

<u>Dep</u>	<u>Part Description</u>	<u>Remarks</u>	<u>Option</u>	<u>Part Number</u>	<u>Qty</u>
01	Radio/CD Player, Alpine CDE-131R			A138M6003F	1
01a	Radio/CD Player, Alpine CDE-171RR			A138M6004F	1
01b	Radio/CD Player, Clarion CZ315		Eu, GCC	A138M6017F	1
01c	Bluetooth module, Clarion FZ502E		Eu, GCC	A138M6023F	1
02	Speaker, front, Alpine CO-AX ALP10CM	Speaker only no grille		A120M0093F	2
03	Speaker Kit, rear, Alpine SPG-13C2			A120M6047F	1
04	Antenna Cable			A138M0009F	1
05	Di Pole Antenna Cable			A138M0008F	1
06	Ipod Adaptor KCE 433i			A120M6041F	1
07	Ipod Holder Foam	Fits in trinket tray		A120U0094F	1
08	Clip Cable, self adhesive			A138W6005F	3
09	Clip Cable, self adhesive			A138W6006F	8
10	Bush, antenna cable thro chassis			A132K6005F	1
11	Screw, No.6 x 0.75			A075W5028Z	8
12	Spire Nut, No.8			A075W6016Z	8
13	Speaker Grill, front			A120M0092F	2

EXIGE



**EXIGE**

17.31

*Updated 3rd April 2017*

# Service Parts List

# EXIGE



## Function Code 17.31 Battery, Clamps & Cables

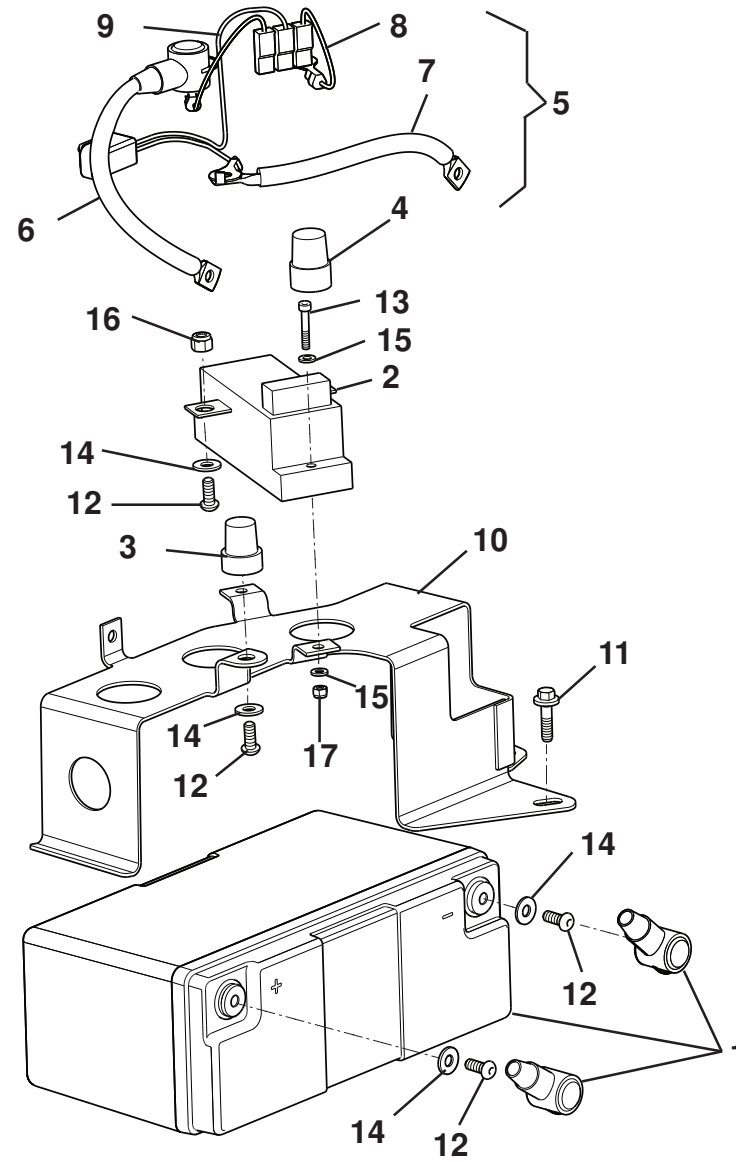
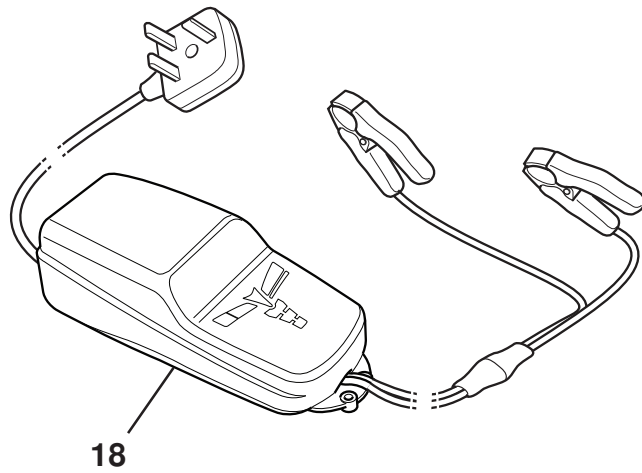
<u>Dep</u>	<u>Part Description</u>	<u>Remarks</u>	<u>Option</u>	<u>Part Number</u>	<u>Qty</u>
01	Battery, Varta 72Ah Blue Dynamic		Exige S	A132M6029F	1
01a	Battery, 74Ah	TBC	Exige Sport 350	A132M0135F	1
01b	Battery, 63Ah	TBC	Exige Sport 350	A132M0137F	1
02	Battery Cover			A138B0030F	1
03	Battery Tray, steel			A138M0017F	1
03a	Battery Tray Assembly, alloy			C132M0518F	1
04	Battery Tray Fixing Plate			A138M0019F	1
05	Battery Clamp			A132M0060F	1
06	Battery Post, 3 stud	On boot bulkhead		A138M6001F	1
07	Harness Battery	See also 17.01		A138M0012F	1
08	Battery Negative Cable, ECU plate to battery			A138M0016F	1
09	Cable, front positive stud to rear	See also 17.01		A138M0013F	1
10	Cable, positive stud to starter motor	See also 17.01		A138M0014F	1
11	Cable, engine/ gearbox to chassis earth	See also 17.01		A138M0015F	1
12	Bracket , battery post front			C122B0147F	1
13	Pop Rivet, 5/32 x 1/2 , battery post bracket			A075W6068F	2
14	Battery Post			A089M6033F	2
15	Battery Clamp, negative			A132M6143F	1

EXIGE

**Function Code 17.31 Battery, Clamps & Cables**

<u>Dep</u>	<u>Part Description</u>	<u>Remarks</u>	<u>Option</u>	<u>Part Number</u>	<u>Qty</u>
15a	Battery Clamp, positive			A132M6186F	1
16	Bolt M8 x 25 hex flg, battery tray			A132W5006F	4
17	Washer, flat, M8 x 25 x 1.5, battery tray			B075W4021Z	1
18	Screw M6 x 16 hex flg, battery clamp			A132W5003F	2
19	Cable, CDL power up (negative)	(front services compartment), see also 17.01		B122M0012F	1
20	Swivel Clip Tie Wrap, cable to heater pipe			A082W6324F	1
21	Swivel Clip, cable to heater pipe			A082W5587F	1
22	Tube, battery vent			B132M0050F	1
23	Grommet, vent tube to battery box			A124W6790F	1
24	Elbow			A132W6028F	1
25	Battery Post, 2 stud	On scuttle		A340M6007F	1
26	Washer Shakeproof M8			A075W4048Z	5
27	Nut M8			A075W3021Z	5
28	Nyloc M5, battery post			A075W3008Z	2
29	Washer Flat 3/16 x 1/2 x16, battery post			A075W4000Z	2
30	Screw M8, cable to gearbox			A075W1035Z	1
31	Washer Flat M8 x 16.6, cable to gearbox			A075W4020Z	1
32	Spacer			A138M0164F	3
33	Spacer			A138M0163F	1
34	Bracket			A138M0168K	1





**EXIGE**

17.32

*Updated 3rd April 2017*

# Service Parts List

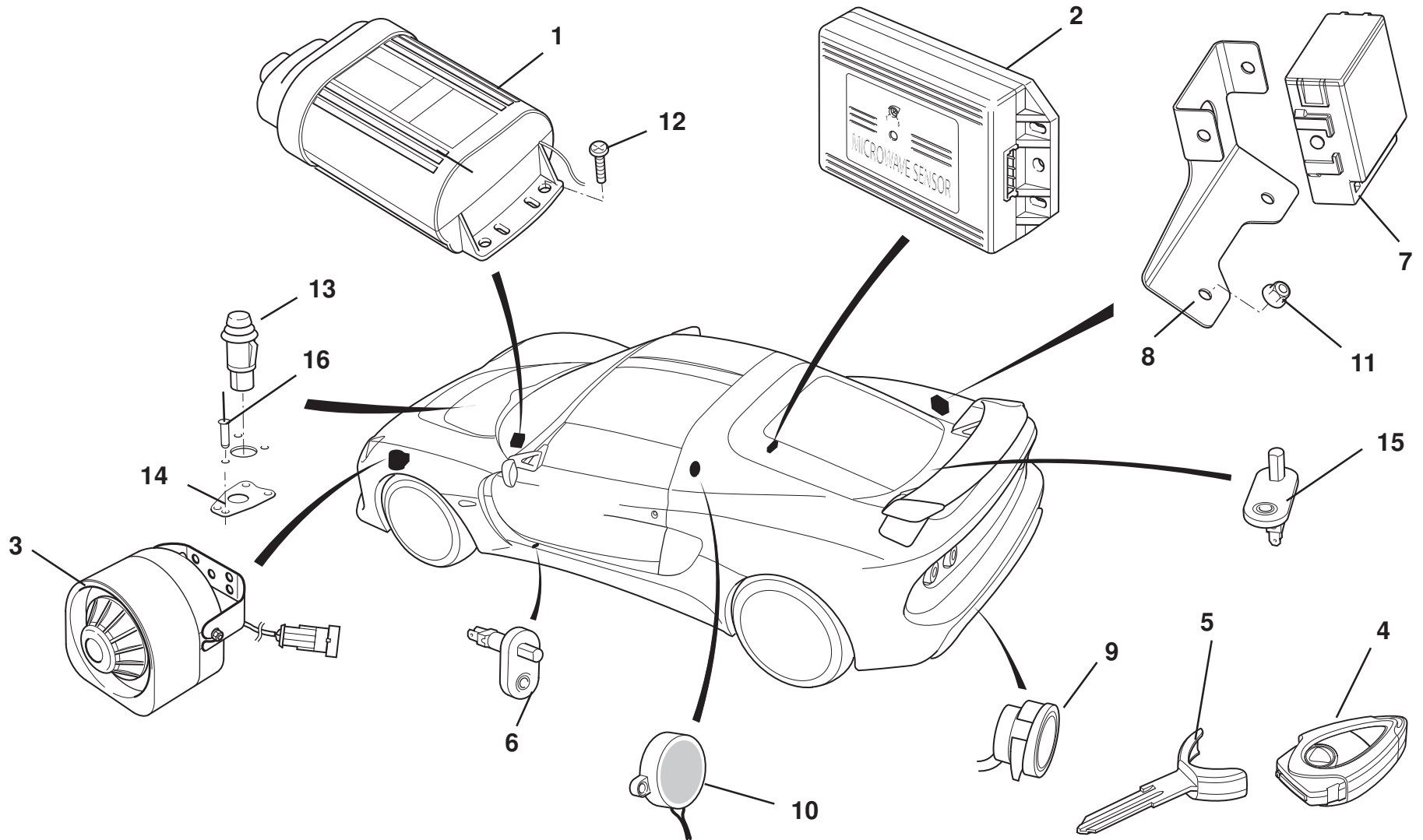
# EXIGE



## Function Code 17.32 Lithium Battery, Clamps & Cables

<u>Dep</u>	<u>Part Description</u>	<u>Remarks</u>	<u>Option</u>	<u>Part Number</u>	<u>Qty</u>
01	Lithium Battery 25ah			A132M6215F	1
02	Battery Control Unit			A708B6032F	1
03	Battery Positive Post			A132M6220F	1
04	Battery Negative Post			A132M6221F	1
05	Lithium Battery Harness Kit			A132M0583F	1
06	Cable Battery Positive, lithium battery			A132M0584F	1
07	Cable Battery Negative, lithium battery			A132M0585F	1
08	Cable Battery Signal Positive, lithium battery			A132M0586F	1
09	Cable Battery Signal Negative, lithium battery			A132M0587F	1
10	Battery Clamp			A132M0578F	1
11	Screw M6 x 20 hex flg hd			A132W5004F	2
12	Screw M6 x 16 but cap hd			A082M7105F	5
13	Screw M4 x 25 skt cap hd			B100W7082F	4
14	Washer M6 x 15 x 1.5			A075W4015Z	5
15	Washer M4 x 9 x 0.8			A082W4099F	4
16	Nut Nyloc M6			A132W3009F	1
17	Nut Nyloc M4			A132W3019F	1
18	Lithium Battery Charger			A132M6216F	1

EXIGE



Exige S

**EXIGE**

17.33b

*Updated 4th February 2016*



# Service Parts List



## Function Code 17.33b Security Alarm System, PFK, Parking Sensors & Camera

<u>Dep</u>	<u>Part Description</u>	<u>Remarks</u>	<u>Option</u>	<u>Part Number</u>	<u>Qty</u>
01	Controller, PFK	Includes 2 transmitter fobs		A132M0117F	1
01a	Alarm Kit, PFK	Includes CDL module		B121M0050F	1
02	Microwave Sensor, PFK	No longer fitted from '15MY VIN FHC10210		A120M0047F	1
03	Siren, PFK	Includes bracket, fixings		A132M6082F	1
04	Transmitter Fob	Programme transmitter using PIN*, excludes key blade		A120M0049F	2
05	Key Blade, uncut	Excludes transmitter fob		A120H0008S	2
05	Key Blade, cut*	Order from Bolton Lock, excludes transmitter fob		A120H0009S	2
05	Switch, boot alarm			A111M6035F	1
07	ECU Kit, parking aid system			A138M0029F	1
08	Bracket, parking aid ECU			A132M0121F	1
09	Sensor Kit, parking aid system	Harness & sensors excluding ECU & Sounder		B132M0151F	1
10	Sounder, parking aid			A132M0191F	1
11	Nyloc Nut, M5, flg., bracket to bootbox			A132W3000F	2
12	Screw, M4 x 12, pan pozi., ECU to chassis			A100W5143F	2
13	Microswitch, alarm activation, front access cover			A111M6037F	1
14	Bracket, front microswitch mounting			A120B0127F	1



---

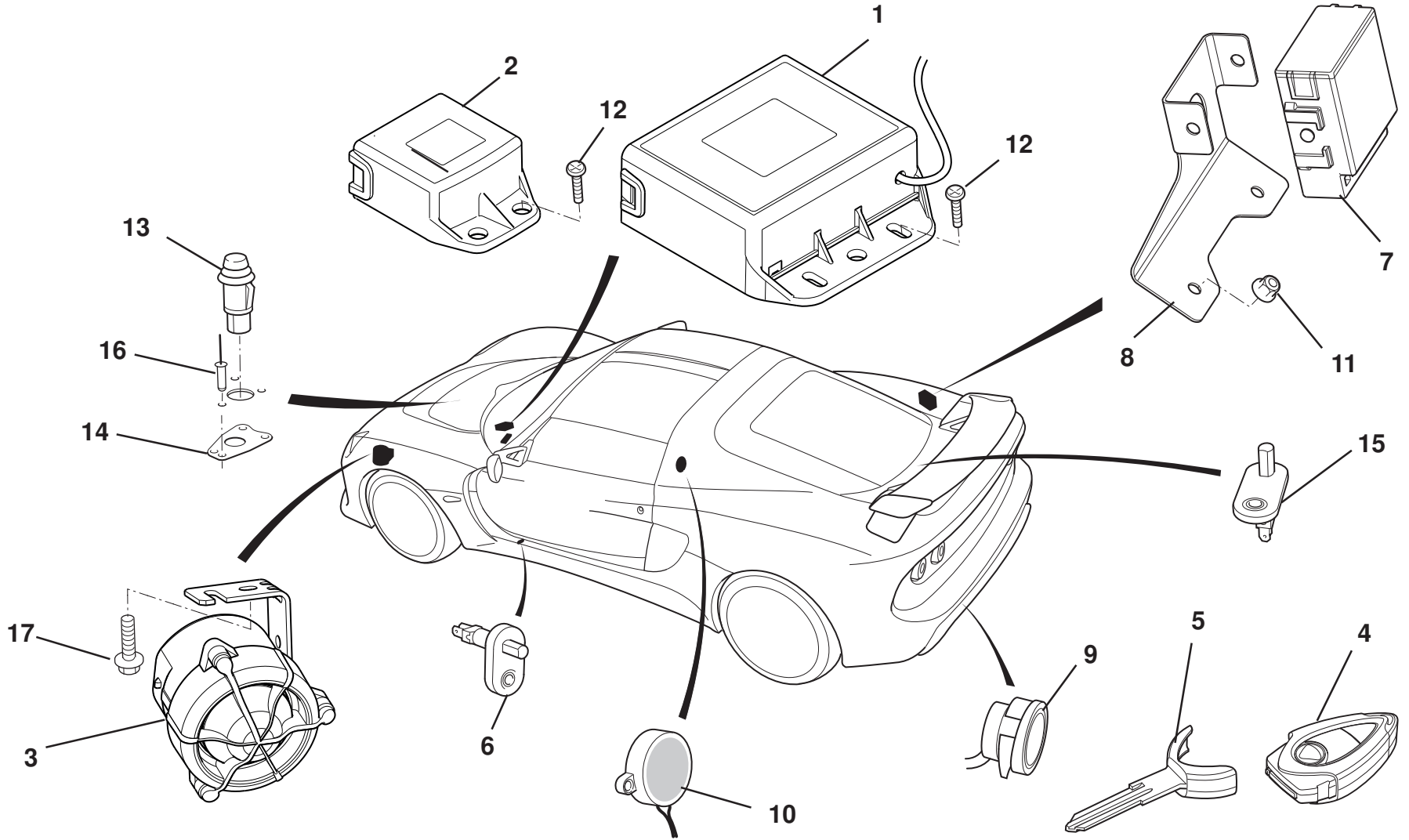
**Function Code 17.33b Security Alarm System, PFK, Parking Sensors & Camera**

<u>Dep</u>	<u>Part Description</u>	<u>Remarks</u>	<u>Option</u>	<u>Part Number</u>	<u>Qty</u>
15	Microswitch, alarm activation, doors	Also for courtesy lamp		<b>A111M6035F</b>	2
16	Pop rivet, domed, black, bracket to clamshell			<b>A082W6512F</b>	3

---

\*NOTE: For full information on all  
Lotus Security Sytems, see  
LSL483g

---



Exige  
Sport 350

**EXIGE**

17.33c

Updated 3rd May 2016

# Service Parts List

# EXIGE



## Function Code 17.33c Security Alarm System, Gemini, Parking Sensors & Camera

<u>Dep</u>	<u>Part Description</u>	<u>Remarks</u>	<u>Option</u>	<u>Part Number</u>	<u>Qty</u>
01	Alarm ECU, 433 MHz	Includes 2 transmitter fobs,TBC		A138M0111F	1
01a	Alarm ECU, 315 MHz	Includes 2 transmitter fobs,TBC	Japan	A138M0110F	1
02	Alarm CDL Module			A132M0532F	1
03	Alarm Siren			A132M6172F	1
04	Transmitter Fob 433 MHz	Programme transmitter using PIN		A138M6021S	2
04a	Transmitter Fob 315 MHz	Programme transmitter using PIN	Japan	A138M6022S	2
05	Key Blade, uncut	Excludes transmitter fob		A120H0008S	2
05a	Key Blade, cut*	Order from Bolton Lock, excludes transmitter fob		A120H0009S	2
06	Microswitch, alarm activation, doors	Also for courtesy lamp		A111M6035F	2
07	ECU Kit, parking aid system			A138M0029F	1
08	Bracket, parking aid ECU			A132M0121F	1
09	Sensor Kit, parking aid system	Harness & sensors excluding ECU & Sounder		B132M0151F	1
10	Sounder, parking aid			A132M0191F	1
11	Nyloc Nut, M5, flg., bracket to bootbox			A132W3000F	2
12	Screw, M4 x 14, pan pozi., ECU to chassis			B082W5141F	4
13	Microswitch, alarm activation, front access cover			A111M6037F	1
14	Bracket, front microswitch mounting			A120B0127F	1

EXIGE

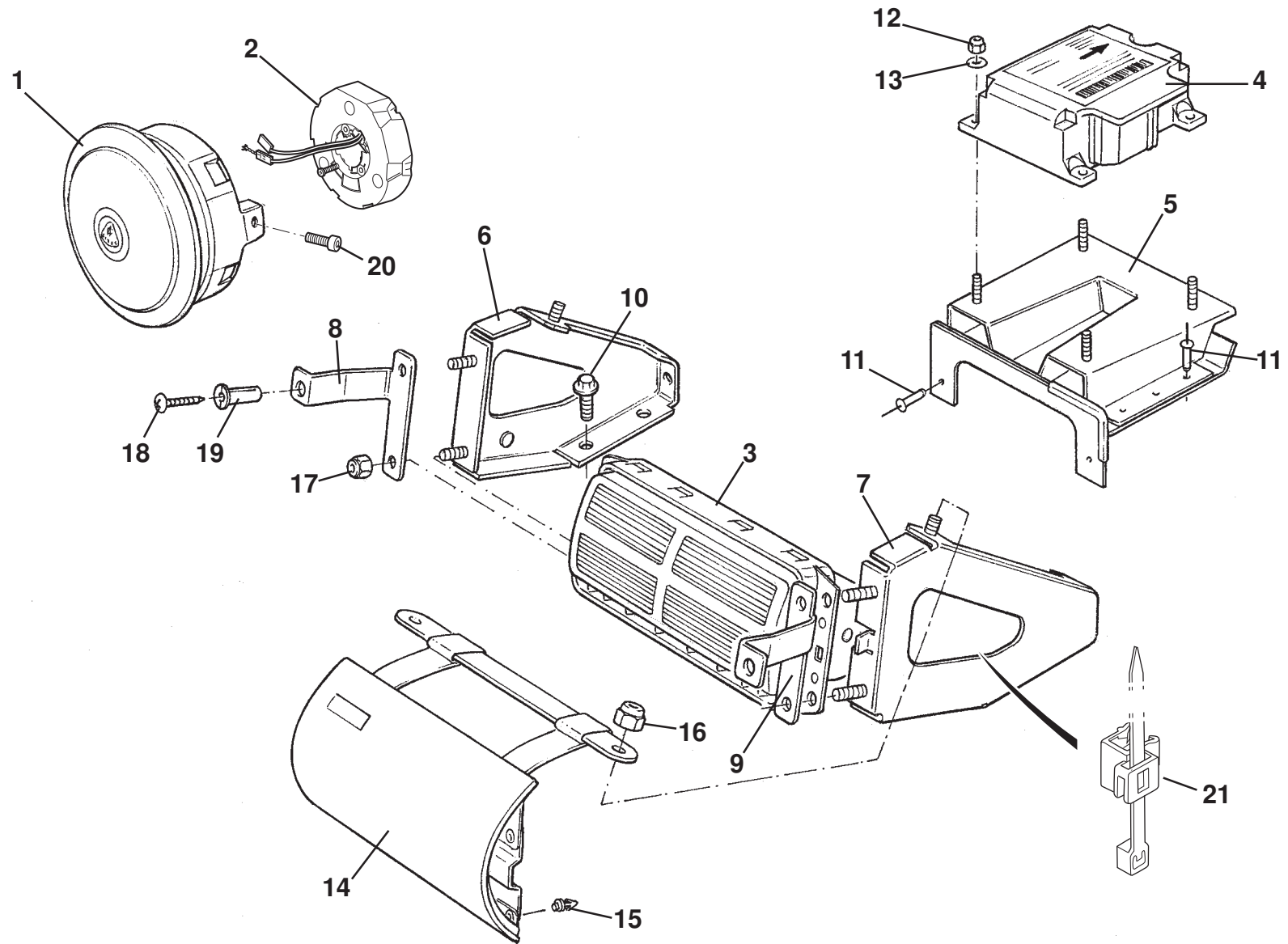
---

**Function Code 17.33c Security Alarm System, Gemini, Parking Sensors & Camera**

<u>Dep</u>	<u>Part Description</u>	<u>Remarks</u>	<u>Option</u>	<u>Part Number</u>	<u>Qty</u>
15	Switch, boot alarm			A111M6035F	1
16	Pop rivet, domed, black, bracket to clamshell			A082W6512F	3
17	Screw M6 x 16 hex flg, siren to chassis			A132W5016F	1

\*NOTE: For full information on all  
Lotus Security Sytems, see  
LSL483g

---



**EXIGE**

17.35

*Updated 3rd November 2014*

# Service Parts List

# EXIGE



## Function Code 17.35 Other Electrical, SIR: Inflator Modules, DERM & Sensors

<u>Dep</u>	<u>Part Description</u>	<u>Remarks</u>	<u>Option</u>	<u>Part Number</u>	<u>Qty</u>
01	Airbag Assembly, driver*	Includes Lotus badge		A121U0047F	1
02	Rotary Contact Unit, SIR wheel*	P/O wheel assy., see 32.05		A120M6010S	1
03	Airbag Unit, passenger*			A121U6066F	1
04	SRS Unit*			A121B0060F	1
05	Mounting Bracket, SRS unit			B121U0095F	1
06	Mounting Bracket, passenger airbag, LH			A121U0065F	1
07	Mounting Bracket, passenger airbag, RH			A121U0066F	1
08	Mounting Bracket, passenger airbag/rail, LH			B121U0069F	1
09	Mounting Bracket, passenger airbag/rail, RH			B121U0070F	1
10	Bolt, M8 x 20, flg. hex. hd., bracket to chassis			A120W5278F	4
11	Pop Rivet, bracket to chassis			A100W6037F	8
12	Nyloc Nut, M6, SRS unit to bracket			A075W3009Z	4
13	Washer, flat, M6 x 12.5 x 1.6, SRS unit to bracket			A100W6307F	4
14	Cover Assembly, passenger airbag, senosoft, paint	Also see 14.05		A138V0151F	1
15	Clip, cover to dash panel			B121U0117F	4
16	Nyloc Nut, M8, cover strap bar to bracket			A075W3010Z	2
17	Nyloc Nut, M6, PAB to mounting brackets			A075W3009Z	4
18	Screw, self tap., No. 8 x 3/4" bracket to dash panel			A075W5074Z	2

EXIGE

---

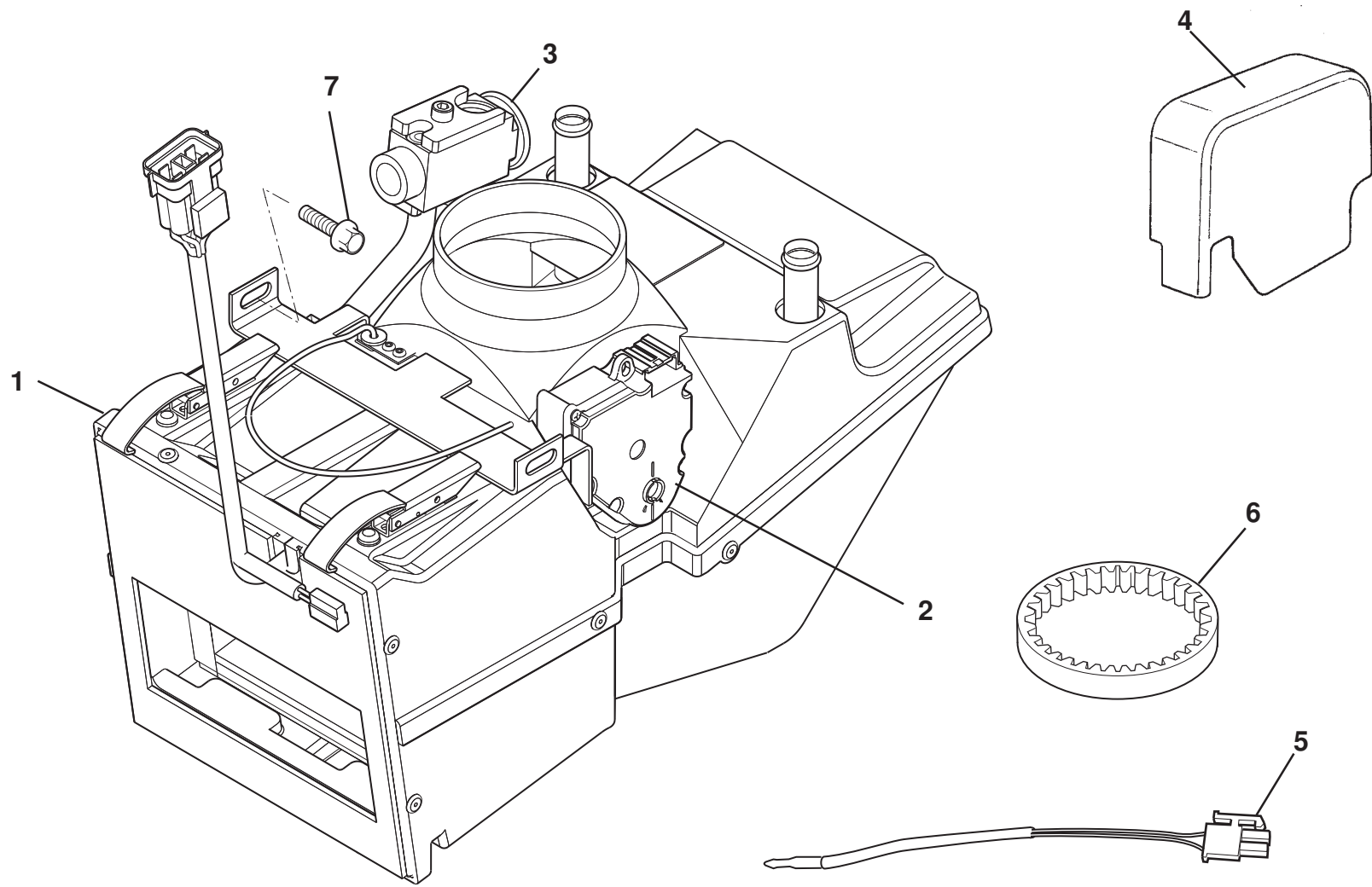
**Function Code 17.35 Other Electrical, SIR: Inflator Modules, DERM & Sensors**

<u>Dep</u>	<u>Part Description</u>	<u>Remarks</u>	<u>Option</u>	<u>Part Number</u>	<u>Qty</u>
19	Captive Nut, bracket to dash panel			A120W3186F	2
20	Screw M6 x 10 skt cap hd			A111W7151F	2
21	Edge Clip Cable Tie, side fixing			A126W6896F	1

\*These parts can only be fitted by Lotus Dealers, who must complete and return the SIR registration card supplied with the part.

---





**EXIGE**

18.01

*Updated 24th January 2013*

# Service Parts List

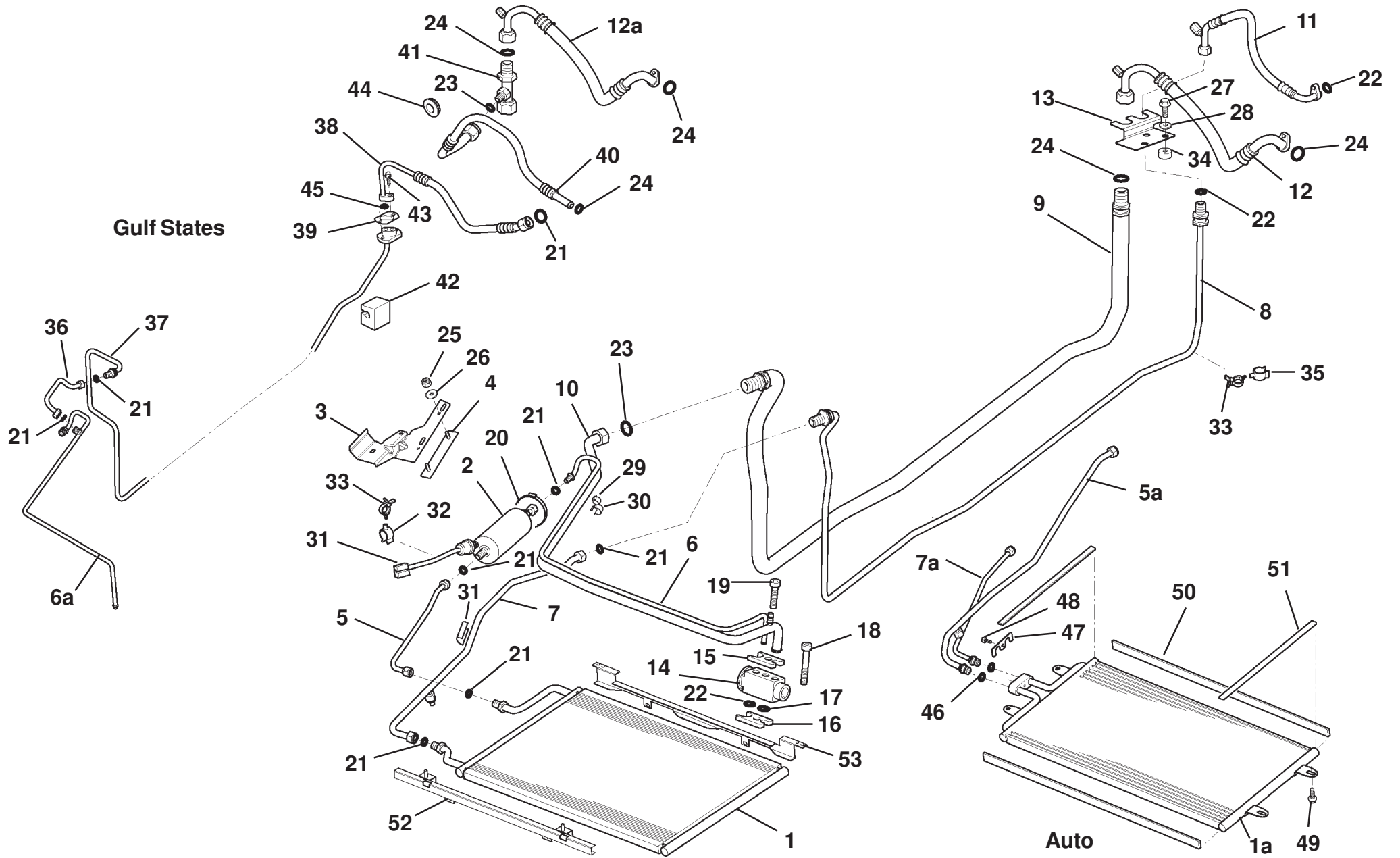
# EXIGE



## Function Code 18.01 Heater/ Air Conditioning Assemblies, Housings

<u>Dep</u>	<u>Part Description</u>	<u>Remarks</u>	<u>Option</u>	<u>Part Number</u>	<u>Qty</u>
01	Heater/AC Housing Assembly			A120P0185F	1
02	Actuator, heater/AC flaps			A117M6052S	1
03	Expansion Valve	See 18.03			1
04	Cover, actuator			A117P0158K	1
05	Thermostat Unit			A120P6012S	1
06	Drive Belt, heater flap			A117P6001S	1
07	Screw, M6 x 20, hex. flg. hd., AC/htr. assy. to chassis			A117W2203F	2
08	Rubber, self-adhesive, actuator cover			A036B6221V	1

EXIGE



**EXIGE**

18.03

Updated 4th February 2016

# Service Parts List



## Function Code 18.03 AC Components, Pipes, Hoses

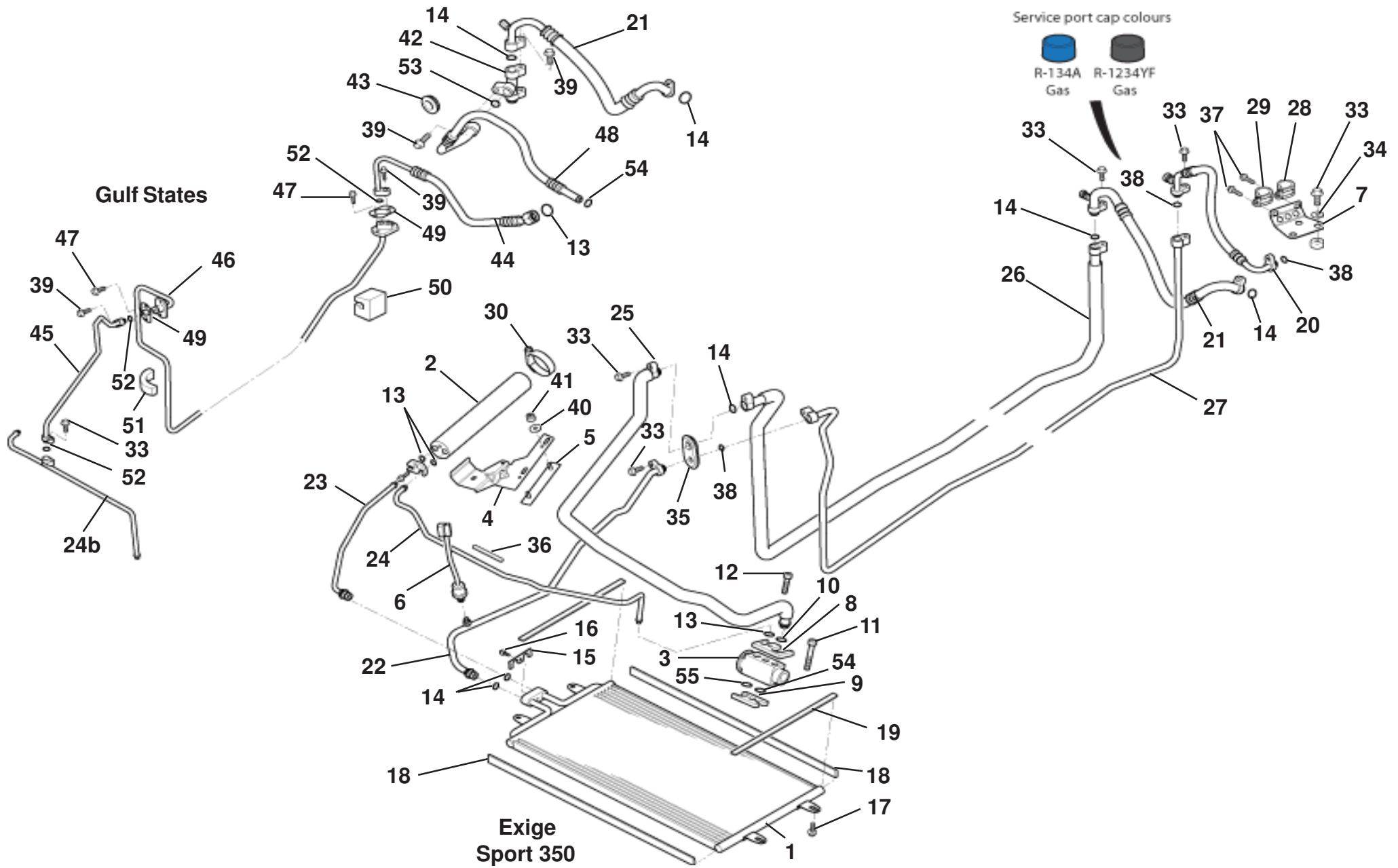
<u>Dep</u>	<u>Part Description</u>	<u>Remarks</u>	<u>Option</u>	<u>Part Number</u>	<u>Qty</u>
01	Condenser, Sanden			A117P0042H	1
01a	Condenser		Auto	A138K0077H	1
02	Filter Drier, excluding trinary switch			A120P6007F	1
03	Bracket Filter Drier			B120P0162F	1
04	Bracket Stud Plate, filter drier			A120P0163F	1
05	Pipe Assembly, drier to condenser	Includes no 6 'O' rings		A138P0001F	1
05a	Pipe Assembly, drier to condenser	TBC	Auto	A138P0123F	
06	Pipe Assembly, drier to expansion valve RHD	Includes no 6 'O' ring		A138P0005F	1
06a	Pipe Assembly, drier to expansion valve LHD	Includes no 6 'O' ring		A138P0003F	1
06b	Pipe Assembly, drier to expansion valve LHD	Includes no 6 'O' ring, TBC	Gulf States	A138P0078F	1
07	Pipe Assembly, bodyside to condenser	Includes no 6 'O' rings		A138P0002F	1
07a	Pipe Assembly, bodyside to condenser	TBC	Auto	A138P0122F	1
08	Hose Assembly, HVAC discharge			A138P0014F	1
09	Hose Assembly, HVAC suction			A138P0015F	1
10	Pipe Assembly,,bodyside suction RHD	Includes no 10 'O' rings		A138P0004F	1
10a	Pipe Assembly,,bodyside suction LHD	Includes no 10 'O' rings		A138P0020F	1
11	Hose Assembly.AC compressor discharge	Includes no 8 'O' rings		A138P0006F	1
12	Hose Assembly.AC compressor suction	Includes no 12 'O' rings		A138P0007F	1

**Function Code 18.03 AC Components, Pipes, Hoses**

<u>Dep</u>	<u>Part Description</u>	<u>Remarks</u>	<u>Option</u>	<u>Part Number</u>	<u>Qty</u>
12a	Hose Assembly.AC compressor suction	Includes no 12 'O' rings, TBC	Gulf States	A138P0075F	1
13	Bracket, HVAC pipes to chassis			A120P0010F	1
14	Expansion Valve			A132P0107H	1
15	Clamp Plate, pipes to expansion valve			A082P4402F	1
16	Clamp Plate, valve to evaporator			A082P4401F	1
17	'O' Ring, No 10, expansion valve to evaporator			A082P6080F	1
18	Screw, M5 x 40, cap hd. skt., valve to clamp			A100W7081F	2
19	Screw, M6 x 16, cap hd. skt., clamp to valve			A075W7017F	1
20	Clip Hose, 60-80mm			A075L6044F	1
21	'O' Ring, No. 6, pipe joints			A082P6078F	5
22	'O' Ring, No. 8, pipe joints, expansion valve to evaporator			A082P6079F	3
23	'O' Ring, No 10, pipe joints			A082P6080F	2
24	'O' Ring, No.12, pipe joints			A082P6081F	2
25	Nut Nyloc M6, thin			A907E6285F	2
26	Washer Flat M6 x 18 x 1.6			A121W4196F	2
27	Bolt M6 x 30, hex flg			A124W5294F	3
28	Washer Flat M6 x 25 x 1.4			B075W4017Z	3
29	Swivel Clip Male			A089W6296F	1
30	Swivel Clip Female			A132W6047F	1
31	Trinary Switch			A117P0059F	1
32	Clip Pipe			A132W6047F	1

**Function Code 18.03 AC Components, Pipes, Hoses**

<u>Dep</u>	<u>Part Description</u>	<u>Remarks</u>	<u>Option</u>	<u>Part Number</u>	<u>Qty</u>
33	Swivel Clip, tie wrap			A082W6324F	2
34	Spacer			A132U0376F	3
35	Swivel Clip Male			A082W6587F	1
36	Pipe Assembly, bodyside to drier	TBC	Gulf States	A138P0077F	1
37	Pipe Assembly, bodyside	TBC	Gulf States	A138P0079F	1
38	Hose Assembly, bodyside to aux AC uint	TBC	Gulf States	A138P0104F	1
39	Gasket	TBC	Gulf States	A138P0105F	1
40	Hose, aux AC uint to suction line		Gulf States	A120P0156F	1
41	Tee Connector Assembly, suction line	TBC	Gulf States	A138P0057F	1
42	Foam Pipe Support	TBC	Gulf States	A138P0107F	1
43	Screw, M6 x 16, hex flg. hd.		Gulf States	A132W5003F	3
44	Grommet		Gulf States	A082H6046F	1
45	'O' Ring, 6.7 x 1.8, pipe joint	TBC	Gulf States	A138P0110F	1
46	'O' Ring			A120P6002F	2
47	Bracket condenser pipework retainer		Auto	A132P0064F	1
48	Bolt M6 x 14, flg hd, bracket to condenser			A116W5233F	1
49	Bolt M6 x 14, flg hd, condenser mounting			A116W5233F	4
50	Sealing Foam, top & bottom			A138B0393H	2
51	Sealing Foam, side			A138B0394H	2
52	Bracket, condenser to radiator, front			A124P6005S	1
53	Bracket, condenser to radiator, rear			A124P6006S	



**EXIGE**

**18.04**

*Updated 2nd May 2017*

# Service Parts List

# EXIGE



## Function Code 18.04 AC Components, Pipes, Hoses

<u>Dep</u>	<u>Part Description</u>	<u>Remarks</u>	<u>Option</u>	<u>Part Number</u>	<u>Qty</u>
01	Condenser			A138K0077H	1
02	Receiver Drier	TBC		A138P6018F	1
03	Expansion Valve			A132P0107H	1
04	Bracket Receiver Drier			A138P0134F	1
05	Stud Plate, receiver drier			A120P0163F	1
06	Trinary Switch			B117P0059F	1
07	Bracket Assembly, rear sill	TBC		A138P0135F	1
08	Clamp Plate, pipes to expansion valve			A082P4402F	1
09	Clamp Plate, valve to evaporator			A082P4401F	1
10	'O' Ring, 17.17 x 1.78, pipe joints			A120P6014F	1
11	Screw, M5 x 40, cap hd. skt., valve to clamp			A100W7081F	2
12	Screw, M6 x 16, cap hd. skt., clamp to valve			A075W7017F	1
13	'O' Ring, pipe joints, expansion valve to evaporator			A120P6015F	2
14	'O' Ring, 13.4 x 2.4, pipe joints			A120P6016F	5
15	Bracket condenser pipework retainer			A132P0064F	1
16	Bolt M6 x 14, flg hd, bracket to condenser			A116W5233F	1
17	Bolt M6 x 14, flg hd, condenser mounting			A116W5233F	4
18	Sealing Foam, top & bottom			A138B0393H	2

EXIGE



**Function Code 18.04 AC Components, Pipes, Hoses**

<u>Dep</u>	<u>Part Description</u>	<u>Remarks</u>	<u>Option</u>	<u>Part Number</u>	<u>Qty</u>
19	Sealing Foam, side			A138B0394H	2
20	Pipe Assembly Discharge, AC compressor	R-134A gas service ports, Blue cap TBC		A138P0132F	1
20a	Pipe Assembly Discharge, AC compressor*	R-1234YF gas service ports, Black cap TBC		B138P0132F	1
21	Pipe Assembly Suction, AC compressor	R-134A gas service ports, Blue cap TBC		A138P0133F	1
21a	Pipe Assembly Suction, AC compressor*	R-1234YF gas service ports, Black cap TBC		B138P0133F	1
22	Pipe Assembly Discharge, bodyside to condenser	TBC		A138P0129F	1
23	Pipe Assembly, condenser to drier	TBC		A138P0128F	1
24	Pipe Assembly, drier to expansion valve RHD	TBC		A138P0126F	1
24a	Pipe Assembly, drier to expansion valve LHD	TBC		A138P0127F	1
24b	Pipe Assembly, drier to expansion valve LHD	TBC	Gulf States	A138P0153F	1
25	Pipe Assembly Suction, expansion valve to bodyside RHD	TBC		A138P0124F	1
25a	Pipe Assembly Suction, expansion valve to bodyside LHD	TBC		A138P0125F	1
26	Pipe Assembly Suction, bodyside	TBC		A138P0131F	1
27	Pipe Assembly Discharge, bodyside	TBC		A138P0130F	1
28	Pipe Clip			A075Q6013Z	1
29	Pipe Clip			A132W6113F	1
30	Hose Clipse, 40-46mm			A120L6016F	1
31	Clamp Plate, receiver drier			A138P0158F	1



**Function Code 18.04 AC Components, Pipes, Hoses**

<u>Dep</u>	<u>Part Description</u>	<u>Remarks</u>	<u>Option</u>	<u>Part Number</u>	<u>Qty</u>
32	Screw M8 x 20 hex flg hd , clamp plate			A132W5005F	1
33	Screw M6 x 20 hex flg hd, pipe fixing			A132W5004F	9
34	Washer Flat M6 x 25 x 1.4 s/s			B075W4017F	3
35	Grommet, bodyside HVAC pipes			A138P0157F	1
36	Edge Finisher			A117B6010F	1
37	Screw M6 x 16 hex flg hd, pipe fixing			A132W5003F	2
38	'O' Ring, 10.8 x 2.4, pipe joints			A120P6017F	3
39	Screw M6 x 25 hex flg hd, pipe fixing			A132W5014F	
40	Washer M6 x 18 x 1.6			A121W4196F	2
41	Nut Nyloc M6			A907E6285F	2
42	Tee Conector Assembly Suction	TBC	Gulf States	A138P0156F	1
43	Grommet		Gulf States	A082H6046F	1
44	Hose Assembly, Aux AC Unit	TBC	Gulf States	A138P0104F	1
45	Pipe Assembly, bodyside to drier	TBC	Gulf States	A138P0151F	1
46	Pipe Assembly, bodyside Aux AC unit	TBC	Gulf States	A138P0152F	1
47	Screw M6 x 12 hex flg hd, gasket bodyside		Gulf States	A111E6007F	4
48	Hose Assembly Suction, Aux AC Unit	TBC	Gulf States	A138P0155F	1
49	Gasket Bodyside	TBC	Gulf States	A138P0105F	2
50	Foam Pipe Support	TBC	Gulf States	A138P0107F	1
51	Foam Seal		Gulf States	A082U6065F	4
52	'O' Ring, 6.7 x 1.8, pipe joint	TBC	Gulf States	A132P6022F	3



---

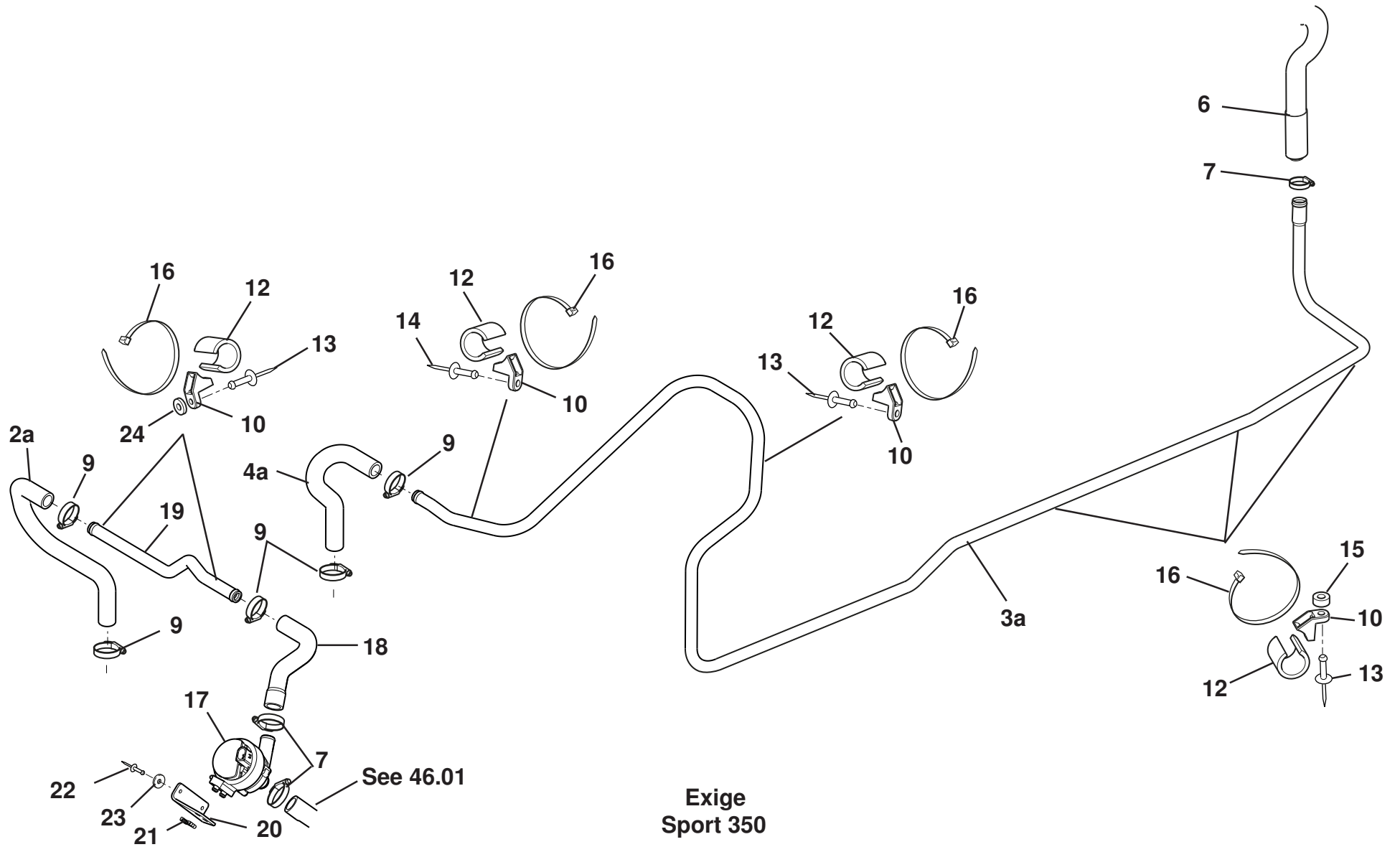
**Function Code 18.04 AC Components, Pipes, Hoses**

<u>Dep</u>	<u>Part Description</u>	<u>Remarks</u>	<u>Option</u>	<u>Part Number</u>	<u>Qty</u>
53	'O' Ring, 17.17 x 1.78, pipe joints	TBC	Gulf States	<b>A120P6014F</b>	1
54	'O' Ring, 14.0 x 1.78 , expansion valve to evaporator				1
55	'O' Ring, 10.82 x 1.78, expansion valve to evaporator			<b>A120P6013F</b>	1

\*Note: R-1234YF gas introduced  
on EU cars from vin GH\_10931,  
refer to SB 2016/21

---





Exige  
Sport 350

**EXIGE**

18.05 page 2

Updated 3rd March 2017

# Service Parts List

# EXIGE



## Function Code 18.05 Heater, Pipes, Hoses

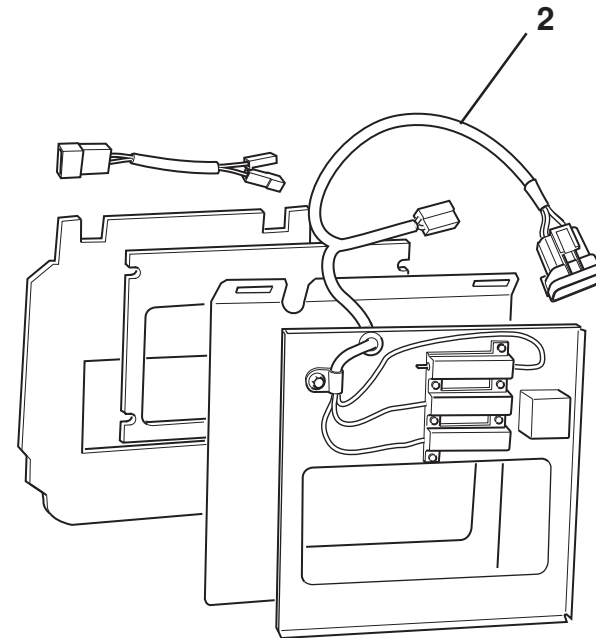
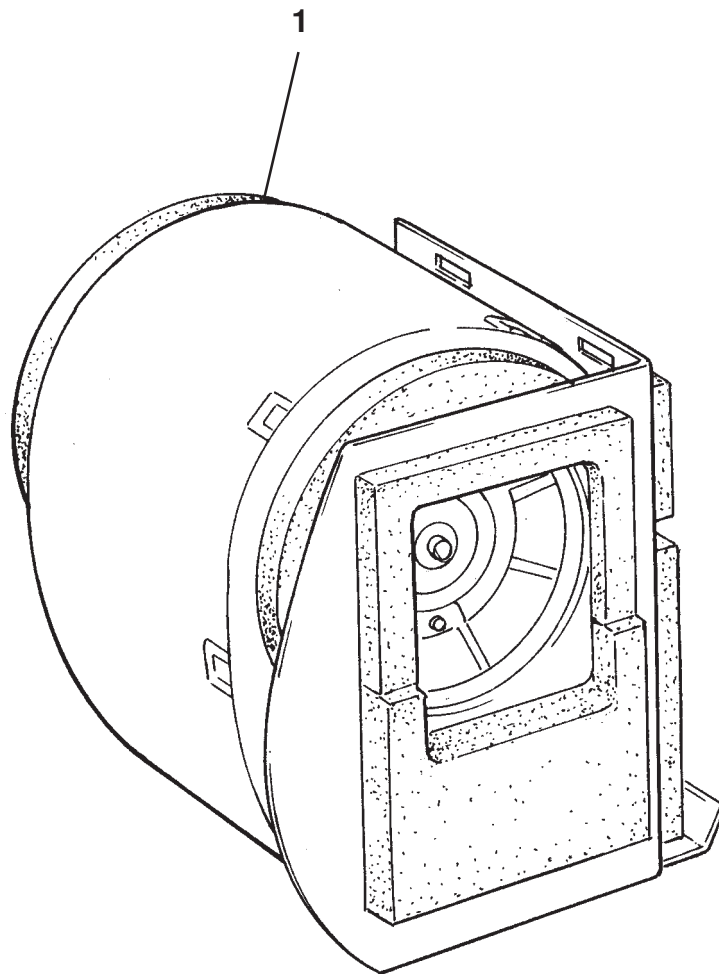
<u>Dep</u>	<u>Part Description</u>	<u>Remarks</u>	<u>Option</u>	<u>Part Number</u>	<u>Qty</u>
01	Pipe, heater supply		Exige S	A138P0013F	1
02	Hose, heater feed, RHD		Exige S	A117P0023F	1
02a	Hose, heater feed, RHD	TBC	Exige Sport 350	A138P0141F	1
02b	Hose, heater feed, LHD		Exige S	A117P0024F	1
02c	Hose, heater feed, LHD	TBC	Exige Sport 350	A138P0139F	1
03	Pipe, heater return		Exige S	A138P0012F	1
03a	Pipe, heater return	TBC	Exige Sport 350	B138P0012F	1
04	Hose, heater return, RHD		Exige S	A117P0021F	1
04a	Hose, heater return, RHD	TBC	Exige Sport 350	A138P0142F	1
04b	Hose, heater return, LHD		Exige S	A117P0022F	1
04c	Hose, heater return, LHD	TBC	Exige Sport 350	A138P0140F	1
05	Hose Assembly, pump to heater	See 46.02		B138P0017F	1
06	Hose, heater return	See 46.02		A138P0009F	1
07	Clip Hose 16 - 25mm			A079W6018F	3
08	Clip Hose, 27mm			A116K6016F	1
09	Clip Hose			A079W6018F	5
10	Saddle Clip			A085W6276F	11
11	Tie Wrap cradle			A082W6293F	2

EXIGE

**Function Code 18.05 Heater, Pipes, Hoses**

<u>Dep</u>	<u>Part Description</u>	<u>Remarks</u>	<u>Option</u>	<u>Part Number</u>	<u>Qty</u>
12	Rubber, self adhesive			A036B6221F	15
13	Pop Rivet, 4.8 x 12.7	Rear & side saddle clips, tie wrap cradles		A138W6026F	9
14	Pop Rivet, 4.8 x 8.0	Front saddle clips		A138W6025F	4
15	Washer, nylon	Rear & side clips		A082W4100F	6
16	Tie Wrap			A075W6038F	13
17	Pump Hot Soak	TBC	Exige Sport 350	A138P6019F	1
18	Hose, pump outlet	TBC	Exige Sport 350	A138P0137F	1
19	Pipe, pump outlet	TBC	Exige Sport 350	A138P0138F	1
20	Bracket, hot soak pump	TBC	Exige Sport 350	A138P0136F	1
21	Clamp Locking, pump	TBC	Exige Sport 350	A124K0023F	1
22	Rivet, 3/16			A089W6297F	2
23	Washer Flat, M5 x 25 x 1.4 blk			A082W4098F	2
24	Washer Flat, 3/16 x 1/2 x 16g			A075W4000Z	2





**EXIGE**

18.07a

*Updated 24th January 2013*



# Service Parts List

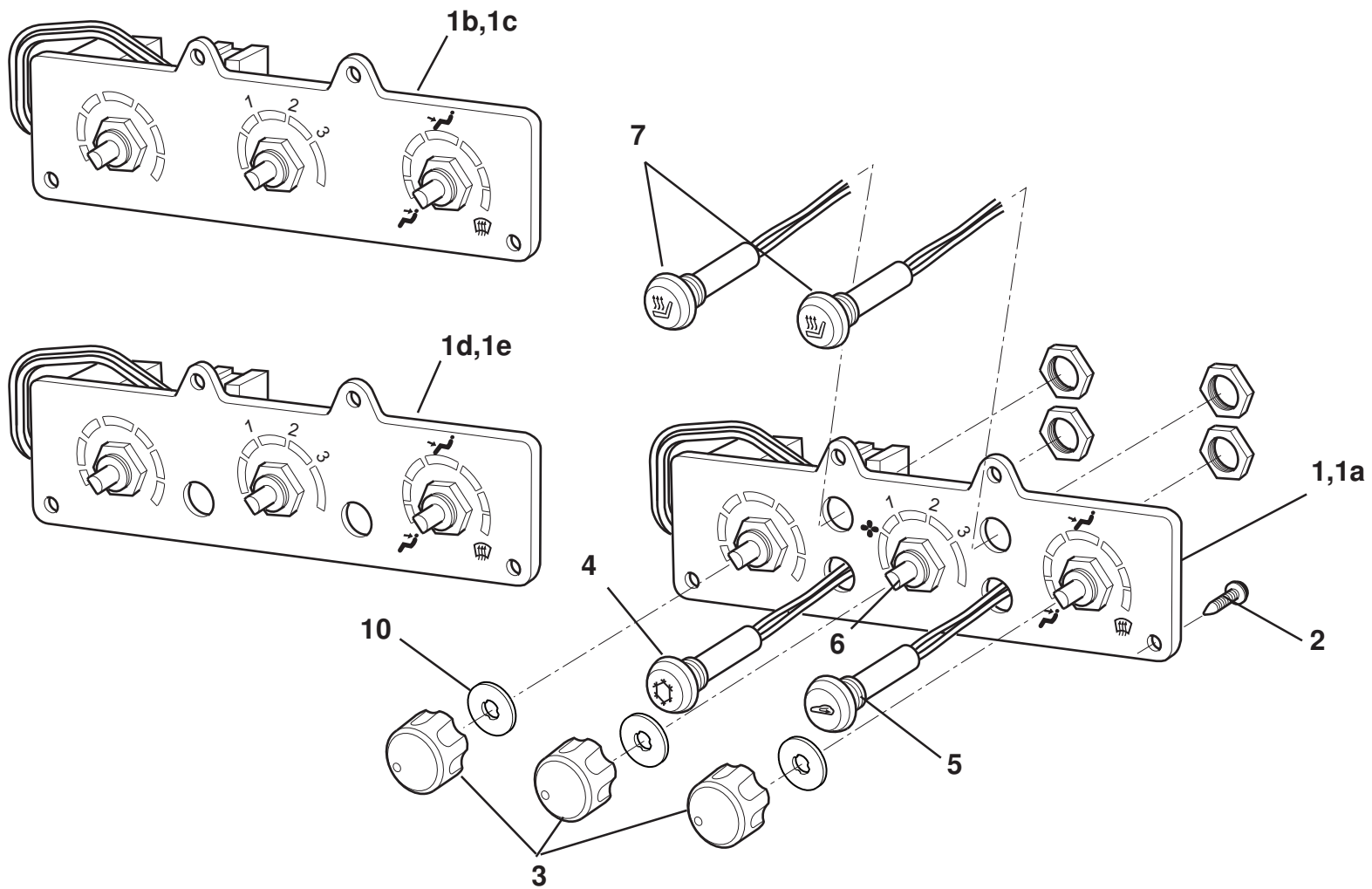
*EXIGE*



## Function Code 18.07a AC Interior Blower Motor

<u>Dep</u>	<u>Part Description</u>	<u>Remarks</u>	<u>Option</u>	<u>Part Number</u>	<u>Qty</u>
01	Blower & Motor Assembly			B117P0163F	1
02	Resistor Kit, blower motor			A120P0148S	1

*EXIGE*

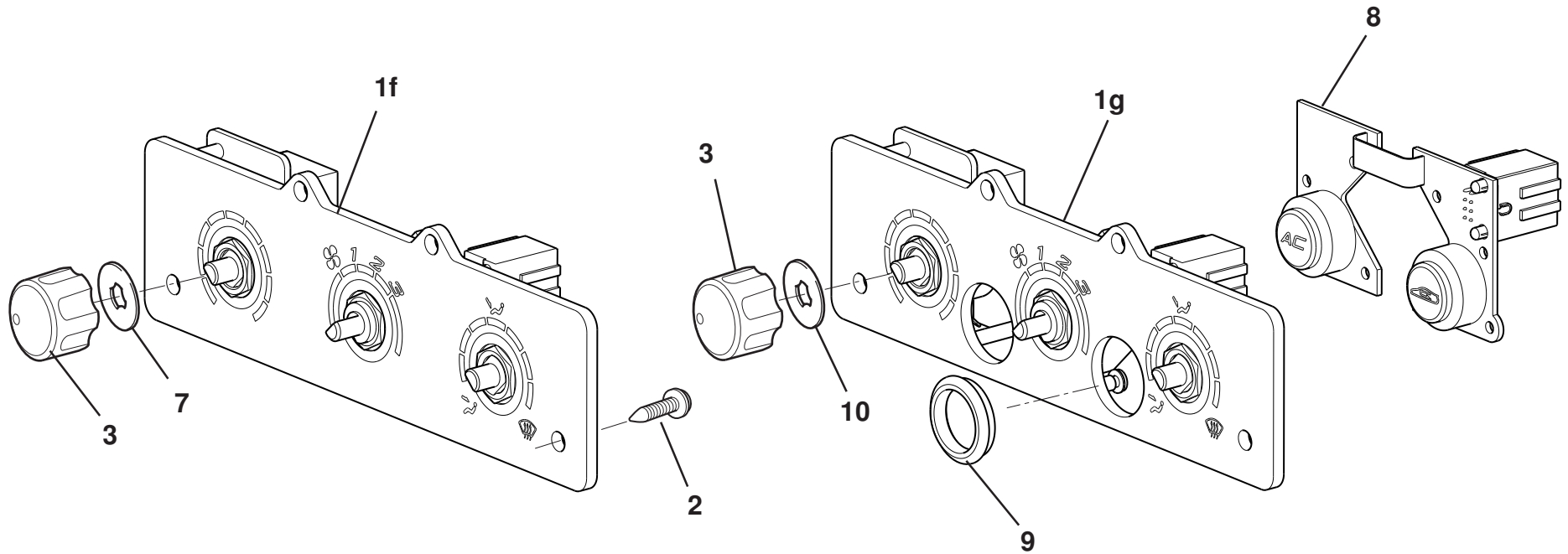


Exige S

**EXIGE**

18.09a page 1

Updated 2nd May 2017



Exige  
Sport 350

**EXIGE**  
18.09a page 2

*Updated 2nd May 2017*

# Service Parts List

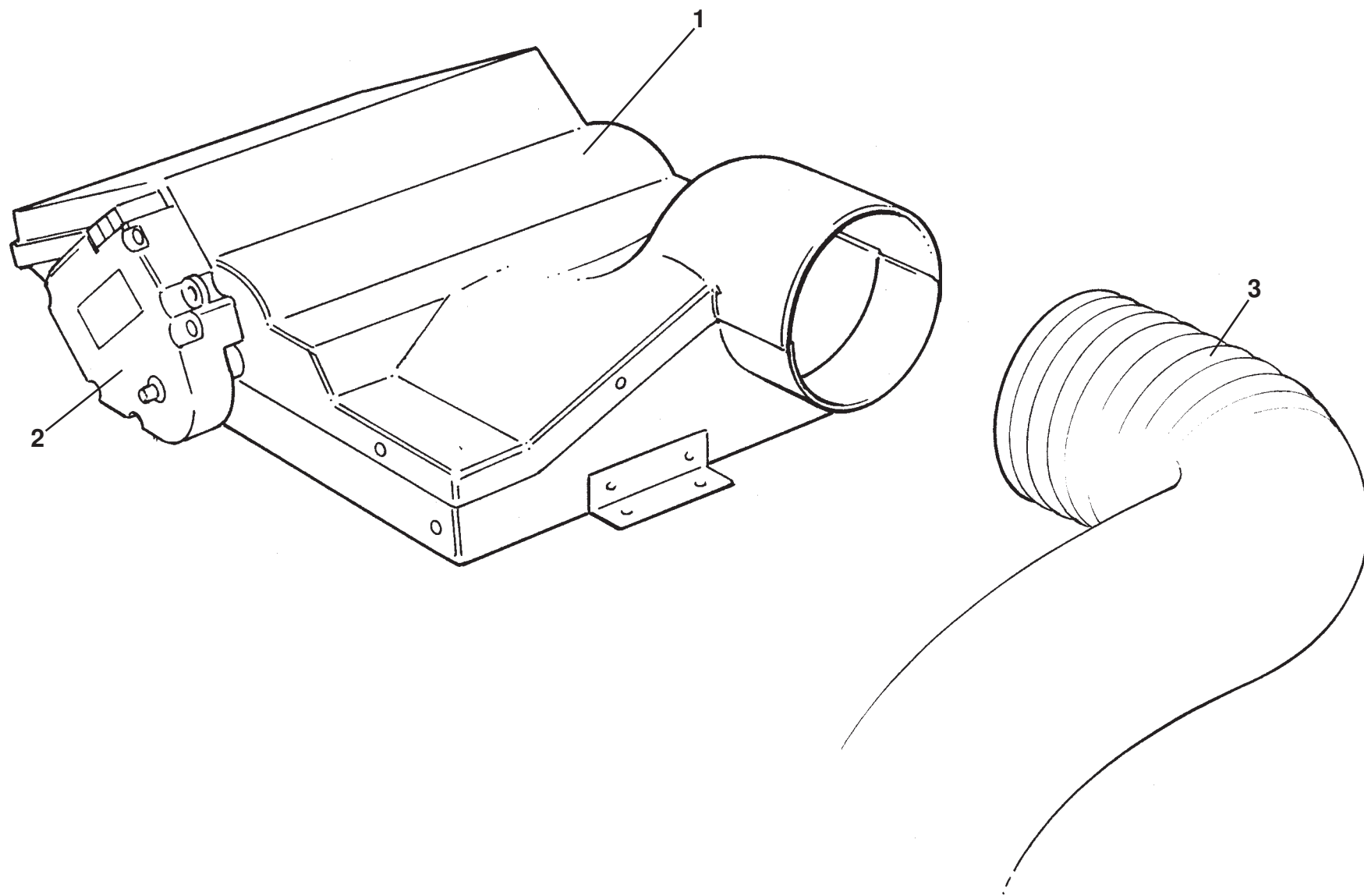
# EXIGE



## Function Code 18.09a AC/Heater Driver Operated Controls

<u>Dep</u>	<u>Part Description</u>	<u>Remarks</u>	<u>Option</u>	<u>Part Number</u>	<u>Qty</u>
01	Switch Panel Assembly, AC, heated seats, RHD	Incl. temp, fan & dist. Switches	AC cars, manual	A138P0021F	1
01a	Switch Panel Assembly, AC, heated seats, LHD	Incl. temp, fan & dist. Switches	AC cars, manual	A138P0022F	1
01b	Switch Panel Assembly, heater, RHD	Incl. temp, fan & dist. Switches	Heater cars, manual & auto	A138P0023F	1
01c	Switch Panel Assembly, heater, LHD	Incl. temp, fan & dist. Switches	Heater cars, manual & auto	A138P0024F	1
01d	Switch Panel Assembly, RHD	Incl. temp, fan & dist. Switches	AC manual & auto, also manual heated seats no AC	A138P0025F	1
01e	Switch Panel Assembly, LHD	Incl. temp, fan & dist. Switches	AC manual & auto, also manual heated seats no AC	A138P0026F	1
01f	Switch Panel Assembly, heater		Exige Sport 350	A138M0121F	1
01g	Switch Panel Assembly, AC		Exige Sport 350	A138M0155F	1
02	Screw, s/tap no.6 x 3/8 flg pozi, black, panel fix.			A075W5019F	4
03	Knob, illuminated			A120U0091F	3
04	Switch, AC			A138M0020F	1
05	Switch, Recirculation			A138M0021F	1
06	Switch, 3 speed fan			A117M6053S	1
07	Switch Heated Seats			A138M0006F	2
08	HVAC Switch Panel	TBC	Exige Sport 350	A138M0095F	1
09	Bezel Switch	TBC	Exige Sport 350	A138V0710F	2
10	Anti Loss Washer			A132W4005F	3

EXIGE



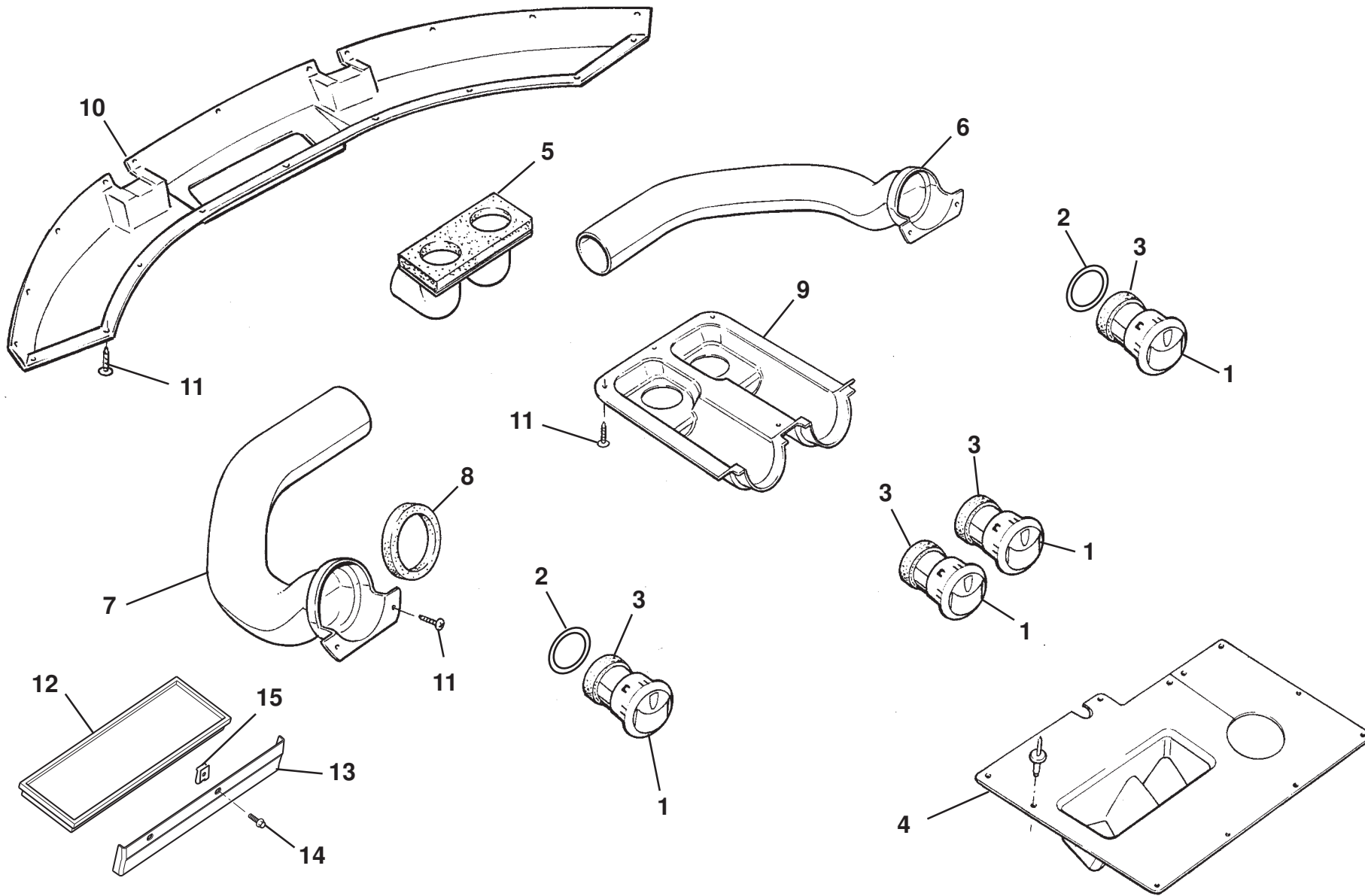
**EXIGE**

18.12

---

**Function Code 18.12 AC/Heater Air Distribution Plenum**

<u>Dep</u>	<u>Part Description</u>	<u>Remarks</u>	<u>Option</u>	<u>Part Number</u>	<u>Qty</u>
01	Air Distribution Plenum, LHD			B117P0041F	1
01a	Air Distribution Plenum, RHD			A117P0042F	1
02	Actuator, distribution flaps			A117M6052S	1
03	Hose, heater to plenum, insulated			A124P0025F	1



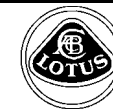
**EXIGE**

18.13

*Updated 29th September 2014*

# Service Parts List

# EXIGE

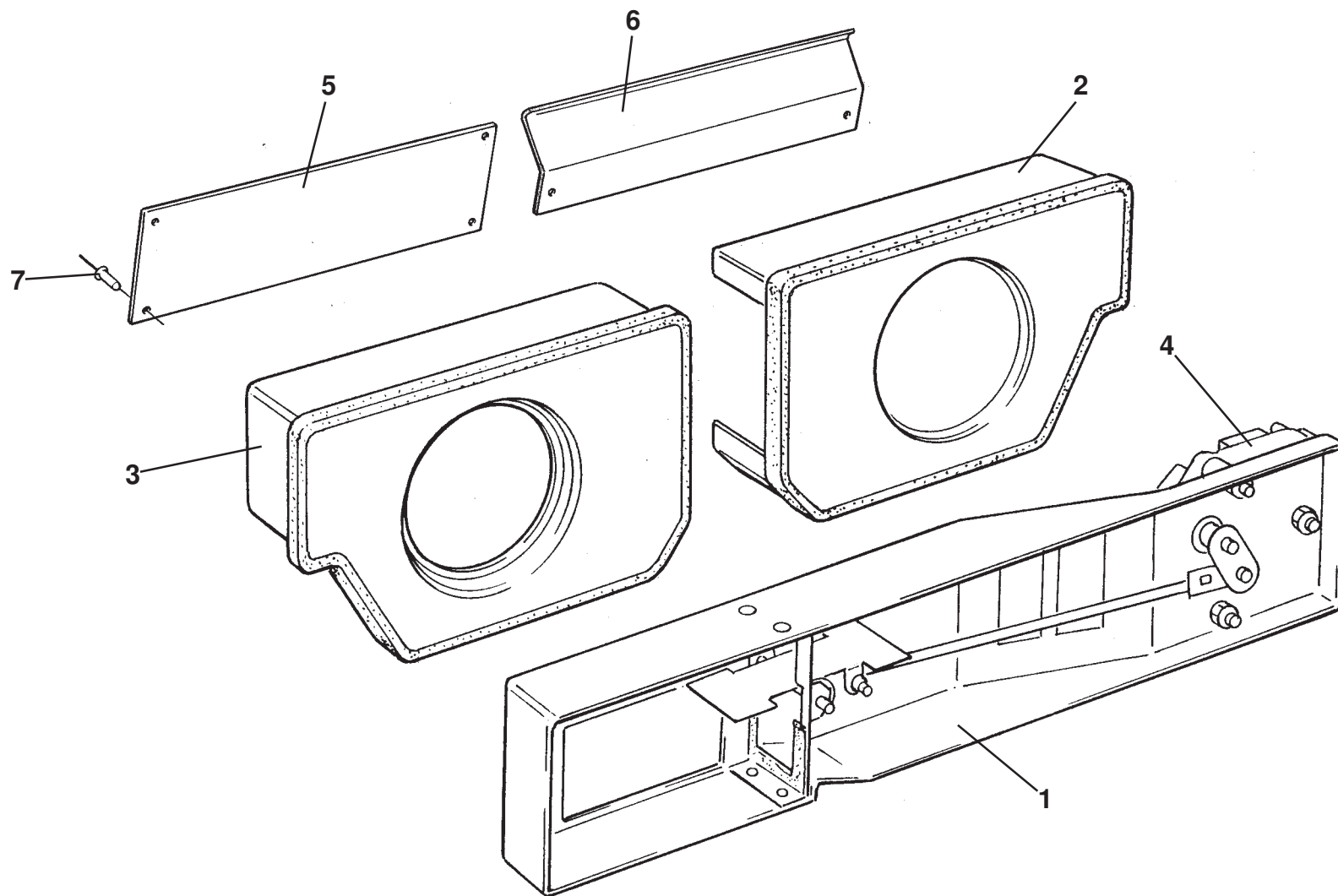


## Function Code 18.13 Air Trunking, Ducts & Ventilators

<u>Dep</u>	<u>Part Description</u>	<u>Remarks</u>	<u>Option</u>	<u>Part Number</u>	<u>Qty</u>
01	Face Level Vent			A117U6003F	4
02	Retaining Ring, FLV			A117P0086F	2
03	Foam Seal, self adhesive, 10 x 6mm, FLV to adaptor			A100B0431V	0.8m
04	Deflector, footwell, RHD			A120P0016F	1
04a	Deflector, footwell, LHD			A120P0017F	1
05	Duct, intermediate, FLV centre	Includes foam gaskets		A121U0029F	1
06	Duct, side FLV, RH			A121U0028F	1
07	Duct, side FLV, LH			A121U0027F	1
08	Gasket, FLV			A121V0006H	4
09	Duct, FLV centre			B121P0002H	1
10	Duct, air distribution, demist	P/O fascia top panel assy.		A121P0001H	1
11	Screw, self tap., No.10 x 3/4", ducts to panels			A075W5040Z	28
12	Fresh Air Filter		Gulf States	B132P0038F	2
13	Cover, filter housing	To be confirmed	Gulf States	A138P0088F	1
14	Screw M5 x 12, hex flg		Gulf States	A132W5002F	2
15	Speed Nut M5		Gulf States	B100W6372F	2

EXIGE





**EXIGE**

18.14

# Service Parts List

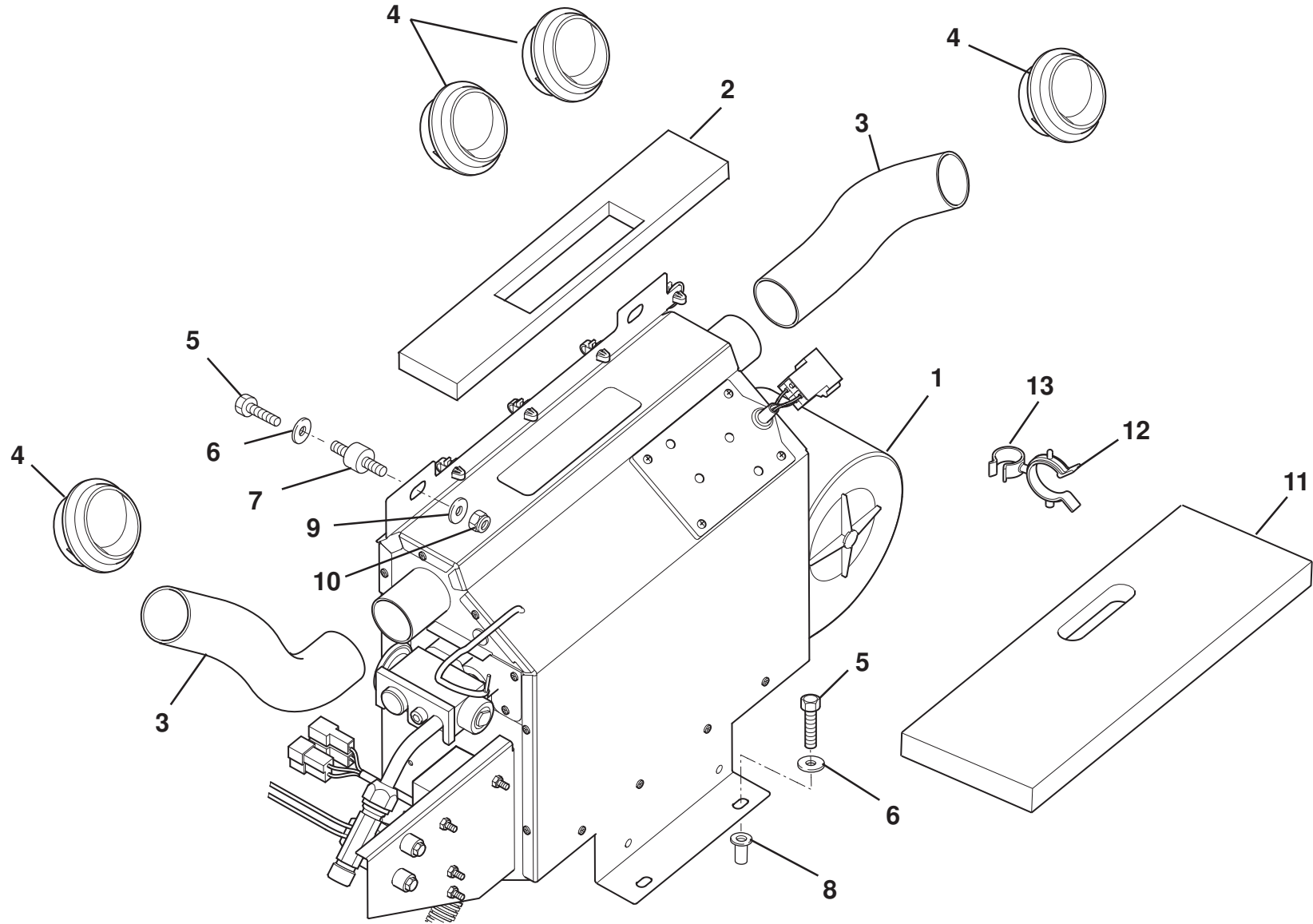
# EXIGE



## Function Code 18.14 AC Air Recirculation System

<u>Dep</u>	<u>Part Description</u>	<u>Remarks</u>	<u>Option</u>	<u>Part Number</u>	<u>Qty</u>
01	Intake Duct, heater, LHD		Heater cars	A117P0134F	1
01a	Intake Duct, heater, RHD		Heater cars	A117P0135F	1
02	Recirc. Air Plenum, LH, RHD	Without aperture	AC cars	B117P0035F	1
02a	Recirc. Air Plenum, LH, LHD	With aperture	AC cars	B117P0037F	1
03	Recirc. Air Plenum, RH, RHD	With aperture	AC cars	B117P0036F	1
03a	Recirc. Air Plenum, RH, LHD	Without aperture	AC cars	B117P0038F	1
04	Actuator, fresh air flap		AC cars	A117M6052S	1
05	Blanking Panel, alloy	Driver footwell	AC cars	A117P0123F	1
06	Deflector Panel, alloy	Passenger footwell	AC cars	A117P0126F	1
07	Pop Rivet, panels to chassis		AC cars	A111W6613F	6

EXIGE



**EXIGE**

18.15

*Updated 29th September 2014*

# Service Parts List

# EXIGE



## Function Code 18.15 Auxillary AC Unit

<u>Dep</u>	<u>Part Description</u>	<u>Remarks</u>	<u>Option</u>	<u>Part Number</u>	<u>Qty</u>
01	Auxillary AC Assembly	To be confirmed	Gulf States	A138P0109F	1
02	Seal, auxillary top vent to bulkhead trim			A120P0178F	1
03	Pipe, insulation, aux HVAC to bulk head vents			A120P0167F	2
04	Grille Vent, round			A120P6010F	4
05	Setscrew M6 x 12			A075W1027Z	4
06	Washer 6 x 20 2.5			A075W4016Z	4
07	Bobbin Rubber M6			A082J6177F	2
08	Rawlnut M6			A075W6140F	2
09	Washer, flat, M6 x 15, bobbin to bracket			A075W4015Z	4
10	Nut M6			A907E6285F	2
11	Foam Seal, drain tube	To be confirmed		A138P6014F	1
12	Pipe Clip			A116W6692F	1
13	Pipe Clip, drain tube			A089W6287F	1

EXIGE



# Service Parts List



## Function Code 19.01 Labels, Certificates, Literature etc.

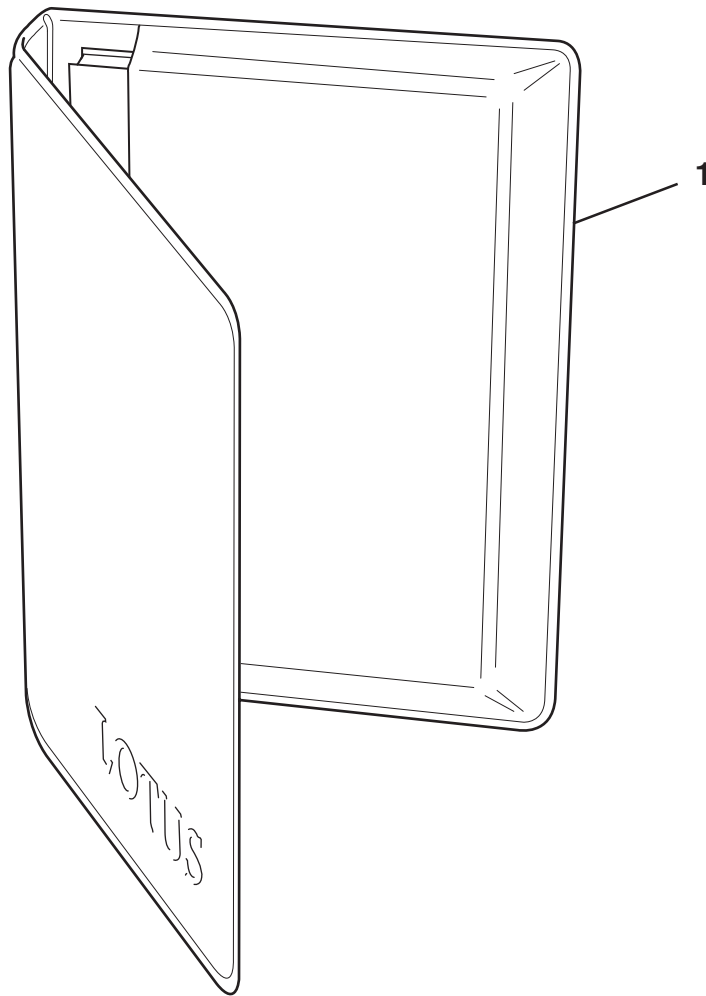
<u>Dep</u>	<u>Part Description</u>	<u>Remarks</u>	<u>Option</u>	<u>Part Number</u>	<u>Qty</u>
01	Label, VIN, chassis	Special order only, see LSL632		F075U1186K	1
02	Label, VIN number, windscreen	Special order only, see LSL632		C121U0121K	1
02a	Plate, windscreen VIN label			A121U0133F	1
03	Label, luggage loading	On tailgate		A132U0136F	1
04	Label, shear panel warning			A111A0213F	1
05	Label, jacking point			A111U0239F	4
06	Label, warning child seat, S. Africa			A120B0211F	1
07	Label, tyre placard, Gulf States	On LH door inner, TBC	Gulf States	A138U0049F	1
07a	Label, tyre placard, Gulf States	On LH door inner, TBC	Gulf States, Exige sport 380	A138U0136F	1
07b	Label, tyre loading, Australia	On LH door inner, TBC	Australia	A138U0025F	1
07c	Label, tyre loading, Australia	On LH door inner, TBC	Australia, Exige sport 380	A138U0135F	1
08	Label, 'E' mark, on sill passenger side	Contact Lotus Type Approval		Not listed	1
09	Label, SIR warning	On battery cover		A082U7350F	1
10	Label, fuel consumption, Australia	Standard tyres	Australia	A138U0022F	1
11	Label 'Do Not Remove Roof'			A138U0024F	1
12	Label 'Mind Your Head'			A138U0023F	1
13	Label, oil level warning	On tailgate hinge		A132U0460F	1
14	Label, child seat warning, RHD	On sunvisor, for car without sunvisors see 12.05 item 25		B124U0094F	1



---

**Function Code 19.01 Labels,Certificates, Literature etc.**

<u>Dep</u>	<u>Part Description</u>	<u>Remarks</u>	<u>Option</u>	<u>Part Number</u>	<u>Qty</u>
14a	Label, child seat warning, LHD	On sunvisor, for car without sunvisors see 12.05 item 25		<b>B124U0095F</b>	1
15	Label, hard top instruction directive			<b>B116V0185F</b>	1
16	Label GCC compliance	On LH 'B' post, TBC	Gulf States	<b>A132U1038F</b>	1
17	Certificate of Conformity	Contact Lotus Type Approval		<b>Not listed</b>	1



**EXIGE**

**19.03**



# Service Parts List

# EXIGE



## Function Code 19.01 Labels, Certificates, Literature etc.

<u>Dep</u>	<u>Part Description</u>	<u>Remarks</u>	<u>Option</u>	<u>Part Number</u>	<u>Qty</u>
01	Label, VIN, chassis	Special order only, see LSL632		F075U1186K	1
02	Label, VIN number, windscreen	Special order only, see LSL632		C121U0121K	1
02a	Plate, windscreen VIN label			A121U0133F	1
03	Label, luggage loading	On tailgate		A132U0136F	1
04	Label, shear panel warning			A111A0213F	1
05	Label, jacking point			A111U0239F	4
06	Label, warning child seat, S. Africa			A120B0211F	1
07	Label, tyre placard, Gulf States	On LH door inner, TBC	Gulf States	A138U0049F	1
07a	Label, tyre placard, Gulf States	On LH door inner, TBC	Gulf States, Exige sport 380	A138U0136F	1
07b	Label, tyre loading, Australia	On LH door inner, TBC	Australia	A138U0025F	1
07c	Label, tyre loading, Australia	On LH door inner, TBC	Australia, Exige sport 380	A138U0135F	1
08	Label, 'E' mark, on sill passenger side	Contact Lotus Type Approval		Not listed	1
09	Label, SIR warning	On battery cover		A082U7350F	1
10	Label, fuel consumption, Australia, manual		Exige S Australia	B138U0022F	1
10a	Label, fuel consumption, Australia, auto		Exige S Australia	A138U0070F	1
10b	Label, fuel consumption, Australia, manual		Exige 350 Australia	A138U0160F	1
10c	Label, fuel consumption, Australia, auto		Exige 350 Australia	A138U0161F	1
10d	Label, fuel consumption, Australia, manual		Exige 380 Australia	A138U0152F	1

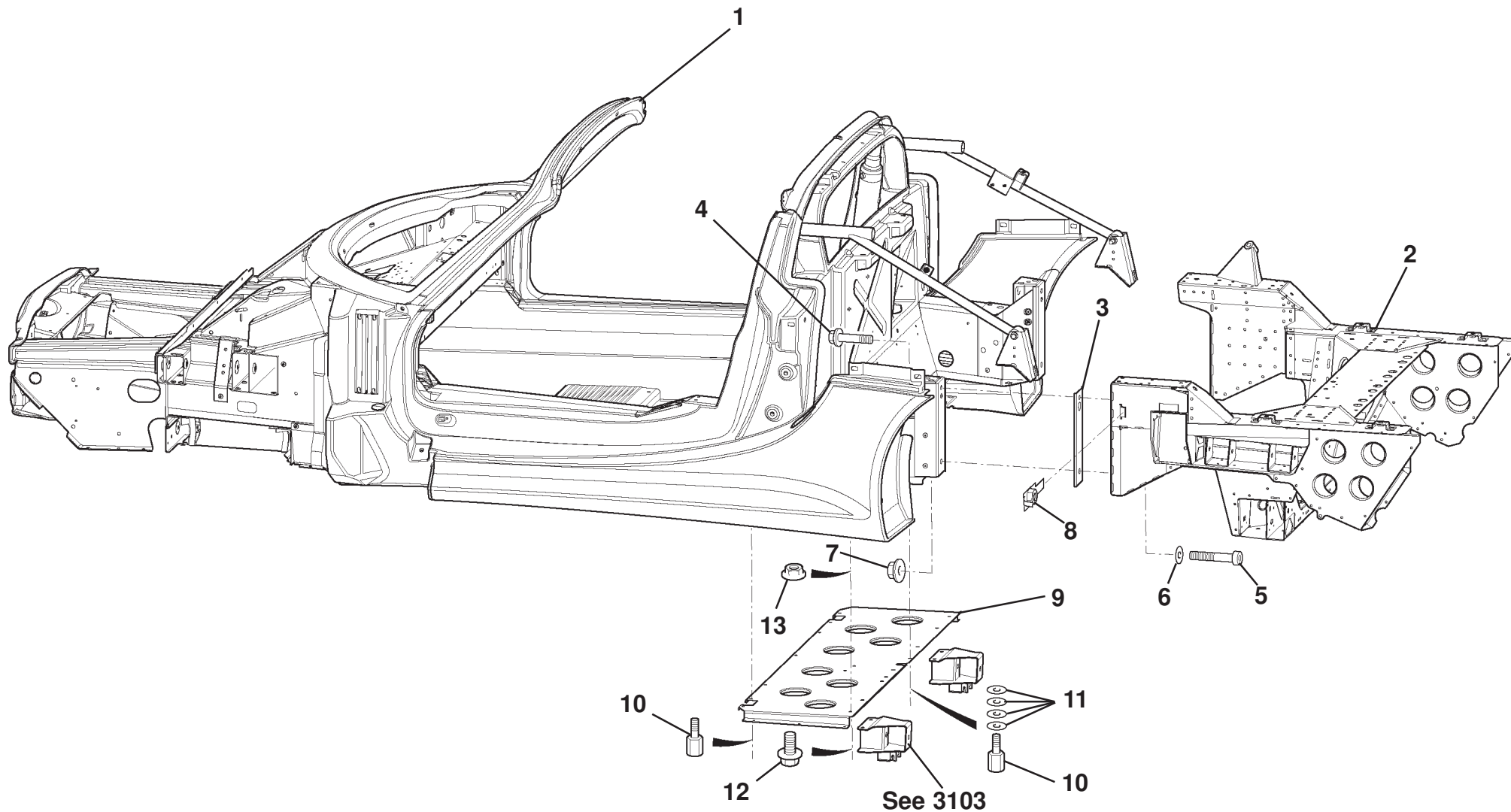
EXIGE

---

**Function Code 19.01 Labels,Certificates, Literature etc.**

<u>Dep</u>	<u>Part Description</u>	<u>Remarks</u>	<u>Option</u>	<u>Part Number</u>	<u>Qty</u>
10e	Label, fuel consumption, Australia, auto		Exige 380 Australia	A138U0153F	1
11	Label 'Do Not Remove Roof'			A138U0024F	1
12	Label 'Mind Your Head'			A138U0023F	1
13	Label, oil level warning	On tailgate hinge		A132U0460F	1
14	Label, child seat warning, RHD	On sunvisor, for car without sunvisors see 12.05 item 25		B124U0094F	1
14a	Label, child seat warning, LHD	On sunvisor, for car without sunvisors see 12.05 item 25		B124U0095F	1
15	Label, hard top instruction directive			B116V0185F	1
16	Label GCC compliance	On LH 'B' post, TBC	Gulf States	A132U1038F	1
17	Certificate of Conformity	Contact Lotus Type Approval		Not listed	1
18	Label, airbag warning	Cars without sunvisors		A138V0806F	1





**EXIGE**

**30.01**

*Updated 1st July 2015*

# Service Parts List

# EXIGE



## Function Code 30.01 Chassis, Subframes

<u>Dep</u>	<u>Part Description</u>	<u>Remarks</u>	<u>Option</u>	<u>Part Number</u>	<u>Qty</u>
01	Partial body LHD heater*	Incl. sill pipes/hoses, pedallbox, vin number reqd.	Exige S	<b>A138A4075S</b>	1
01a	Partial body LHD heater*	Incl. sill pipes/hoses, pedallbox, vin number reqd.	Exige Sport 350	<b>TBC</b>	
01b	Partial body RHD heater*	Incl. sill pipes/hoses, pedallbox, vin number reqd.	Exige S	<b>A138A4076S</b>	1
01c	Partial body RHD heater*	Incl. sill pipes/hoses, pedallbox, vin number reqd.	Exige Sport 350	<b>TBC</b>	
01d	Partial body LHD A/C*	Incl. sill pipes/hoses, pedallbox, vin number reqd.	Exige S	<b>A138A4077S</b>	1
01e	Partial body LHD A/C*	Incl. sill pipes/hoses, pedallbox, vin number reqd.	Exige Sport 350	<b>TBC</b>	
01f	Partial body RHD A/C*	Incl. sill pipes/hoses, pedallbox, vin number reqd.	Exige S	<b>A138A4078S</b>	1
01g	Partial body RHD A/C*	Incl. sill pipes/hoses, pedallbox, vin number reqd.	Exige Sport 350	<b>TBC</b>	
01h	Partial body LHD A/C*	Incl. sill pipes/hoses, pedallbox, vin number reqd.	Exige S Gulf States	<b>TBC</b>	1
01i	Partial body LHD A/C*	Incl. sill pipes/hoses, pedallbox, vin number reqd.	Exige Sport 350 Gulf States	<b>TBC</b>	
01j	Partial body LHD heater*	Incl. sill pipes/hoses, pedallbox, vin number reqd.	Exige S Auto	<b>TBC</b>	1
01k	Partial body LHD heater*	Incl. sill pipes/hoses, pedallbox, vin number reqd.	Exige Sport 350 Auto	<b>TBC</b>	

EXIGE

Function Code: 30.01, Page: 1

Updated 4th February 2016

**Function Code 30.01 Chassis, Subframes**

<u>Dep</u>	<u>Part Description</u>	<u>Remarks</u>	<u>Option</u>	<u>Part Number</u>	<u>Qty</u>
01l	Partial body RHD heater*	Incl. sill pipes/hoses, pedallbox, vin number reqd.	Exige S Auto	TBC	1
01m	Partial body RHD heater*	Incl. sill pipes/hoses, pedallbox, vin number reqd.	Exige Sport 350 Auto	TBC	
01n	Partial body LHD A/C*	Incl. sill pipes/hoses, pedallbox, vin number reqd.	Exige S Auto	TBC	1
01o	Partial body LHD A/C*	Incl. sill pipes/hoses, pedallbox, vin number reqd.	Exige Sport 350 Auto	TBC	
01p	Partial body RHD A/C*	Incl. sill pipes/hoses, pedallbox, vin number reqd.	Exige S Auto	TBC	1
01q	Partial body RHD A/C*	Incl. sill pipes/hoses, pedallbox, vin number reqd.	Exige Sport 350 Auto	TBC	
01r	Partial body LHD A/C*	Incl. sill pipes/hoses, pedallbox, vin number reqd.	Exige S Auto, Gulf States	TBC	1
01s	Partial body LHD A/C*	ncl. sill pipes/hoses, pedallbox, vin number reqd.	Exige Sport 350 Auto, Gulf States	TBC	
02	Assembly Rear Subframe			C138A0078J	1
02a	Assembly Rear Subframe	TBC	Exige S Auto, Exige Sport 350 Manual & Auto	C138A0196J	1
03	Shim, subframe adaptor mounting			A138A0093F	2
04	Bolt M12 x 65 hex flg hd			A116W5237F	2
05	Bolt M12 x 60 skt cap hd			A138W2010F	2
06	Washer Flat M12 x 23.5 x 2.3			A075W4028Z	2
07	Nut M12, hex flg.			A132W3010F	2
08	Nut Plate Assembly, chassis mounting			B138A0101F	2



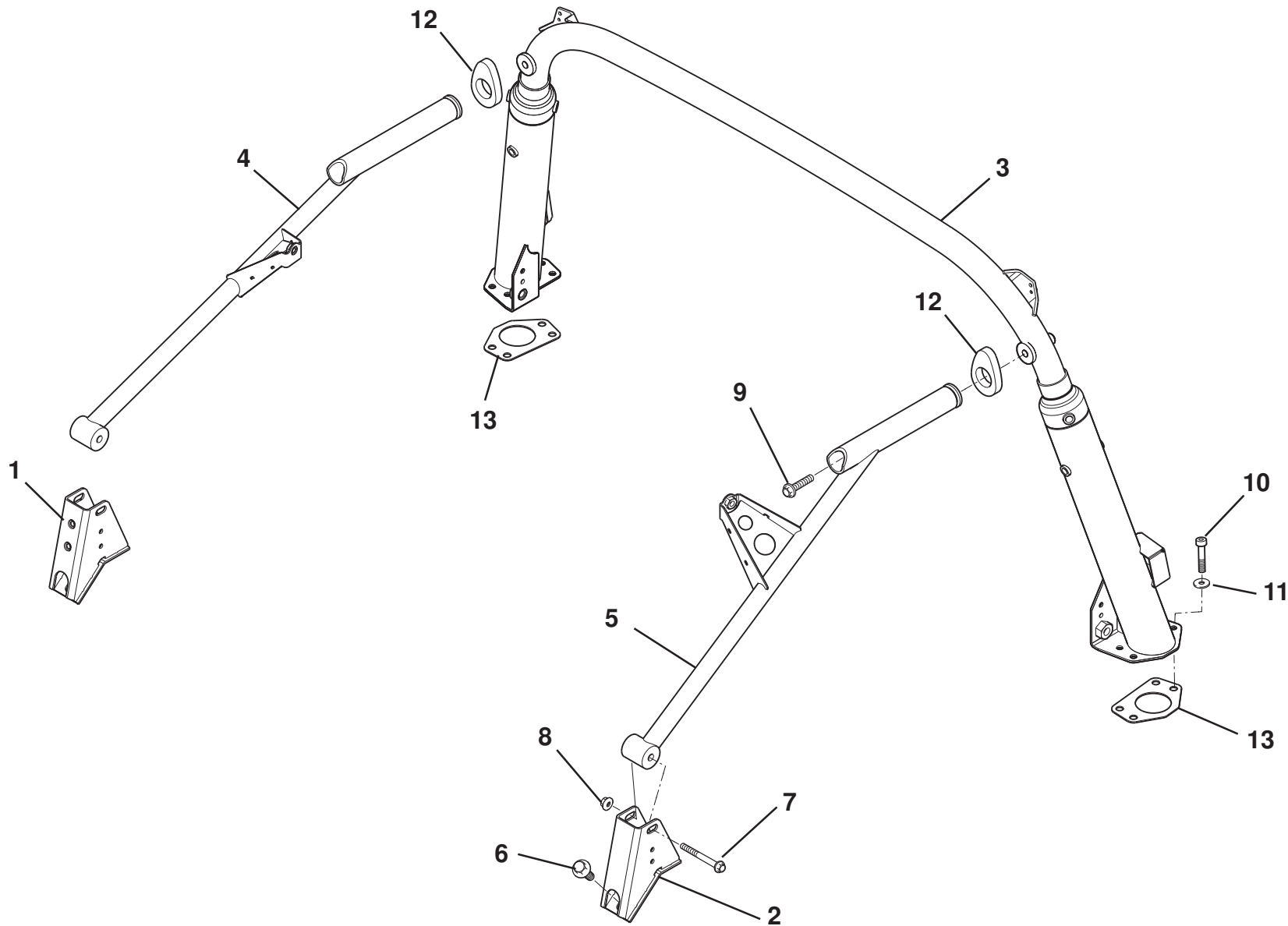
---

**Function Code 30.01 Chassis, Subframes**

<u>Dep</u>	<u>Part Description</u>	<u>Remarks</u>	<u>Option</u>	<u>Part Number</u>	<u>Qty</u>
09	Assembly Shear Panel, tank bay			A138A0110F	1
10	Adapter, diffuser, shear panel 16mm hex			A120A0183F	4
11	Washer M8 x 16 x 1.4			A127W4000F	4
12	Screw M8 x 25 hex flg, shear panel			A132W5006F	6
13	Nut M8 hex flg, shear panel			A132W3006F	2

\*Use order form LSL631

---



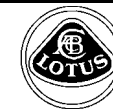
**EXIGE**

**30.02**

*Updated 3rd April 2017*

# Service Parts List

# EXIGE

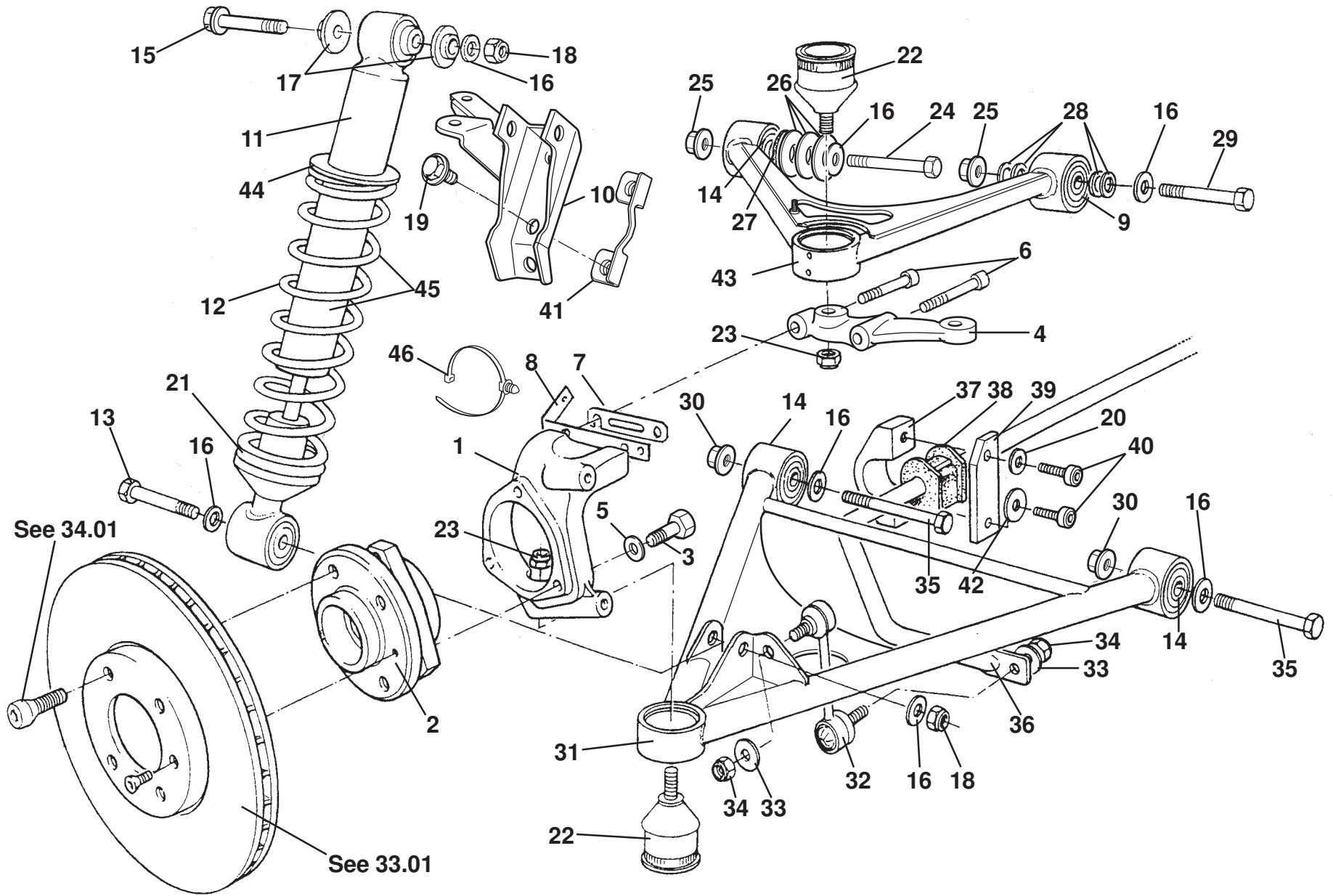


## Function Code 30.02 Seat Belt Mounting Frames, Stays

<u>Dep</u>	<u>Part Description</u>	<u>Remarks</u>	<u>Option</u>	<u>Part Number</u>	<u>Qty</u>
01	SBAF Mounting Bracket Assembly LH			A138A0025F	1
02	SBAF Mounting Bracket Assembly RH			A138A0026F	1
03	Frame, seatbelt anchorage			C117A0145F	1
04	SBAF Stay Assembly LH			A138A4009F	1
05	SBAF Stay Assembly RH			A138A4010F	1
06	Bolt M10 x 30 hex flg			A132W2004F	4
07	Bolt M10 x 60 hex flg			A132W2009F	2
08	Nut M10 hex flg			A132W3005F	2
09	Bolt M10 x 35 hex flg			A116W5247F	12
10	Screw M8 x 25 skt cap hd			A111W7132F	8
11	Washer Flat M8 x 16.6 x 1.4			A075W4020Z	8
12	Seal. Seatbelt anchorage			A120B0207F	2
13	Shim, base plate, 2mm			B111A0071F	2
13a	Shim, base plate, 3mm			A116A0164F	2
13b	Shim, base plate, 4mm			A116A0165F	2
13c	Shim, base plate, 5mm			A116A0166F	2

EXIGE

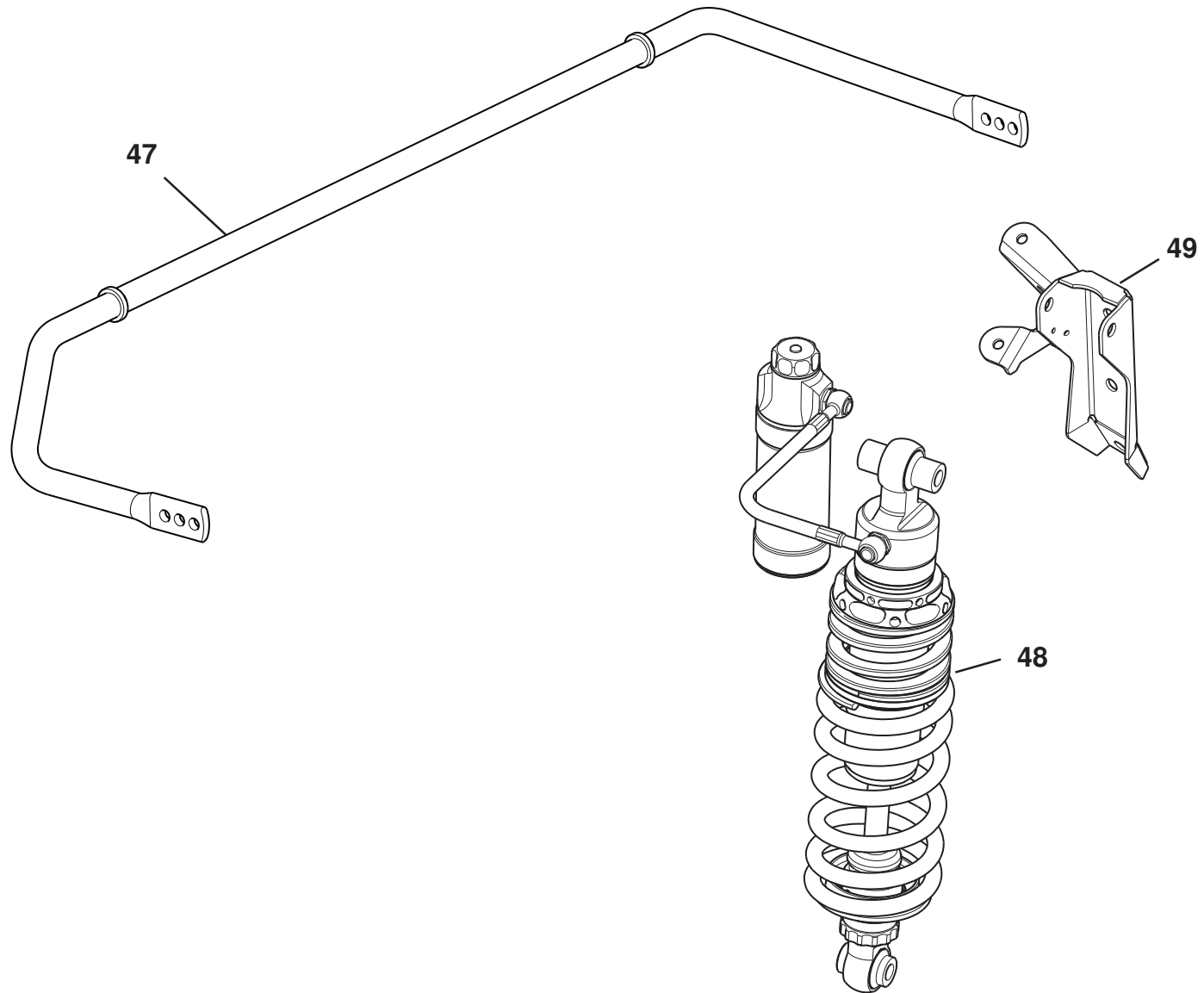




**EXIGE**

31.01 page 1

Updated 3rd February 2017



**EXIGE**

31.01 page 2

*Updated 3rd February 2017*

# Service Parts List

# EXIGE



## Function Code 31.01 Front Suspension, Incl. Hubs

<u>Dep</u>	<u>Part Description</u>	<u>Remarks</u>	<u>Option</u>	<u>Part Number</u>	<u>Qty</u>
01	Upright, front LH			A116C0001F	1
01a	Upright, front RH			A116C0002F	1
02	Hub Unit			A138C6000F	2
03	Bolt M12 x 45 hex hd			A116W2192F	6
04	Steering Arm LH			A138C4015F	1
04a	Steering Arm RH			A138C4016F	1
05	Washer Flat M12 x 24 x 2.5			A124W4197F	6
06	Bolt, M10 x 60, 10.9G, cap hd., steering arm to hub carrier			A117W7213F	4
07	Shim, 1.0mm, camber adjustment			D111C0062F	As req
07a	Shim, 1.5mm, camber adjustment			B120C0022F	As req
08	Shim, bracket connector retainer LH			A120C4005F	1
08a	Shim, bracket connector retainer RH			A120C4006F	1
09	Bush, suspension			A116C0035F	2
10	Damper/ABS Unit Mounting Bracket assy, LH, RHD, LHD			A138C0062F	1
10a	Damper Bracket, top front, RH			A138C4030F	1
11	Damper Assembly Sport, front			B138C0058H	2
11a	Damper Assembly Race, front			B138C0020H	2
12	Road Spring Sport, front			A138C0057H	2

EXIGE

**Function Code 31.01 Front Suspension, Incl. Hubs**

<u>Dep</u>	<u>Part Description</u>	<u>Remarks</u>	<u>Option</u>	<u>Part Number</u>	<u>Qty</u>
12a	Road Spring Race, front			A138C0019H	2
13	Bolt, M10 x 55, hex. hd., damper bottom fix.			A079W2057F	2
14	Bush, suspension			A116C0068F	6
15	Bolt, M10 x 70, hex.flg hd., damper top fix.			A138W2013F	2
16	Washer M10 x 20.5 x 1.8			A075W4024F	16
17	Spacer Damper Top			B111C0061F	4
18	Nyloc Nut, M10, damper fixings			A100W3112F	2
19	Bolt, M8 x 25, hex, hd., bracket to chassis			A132W5008F	6
20	Washer, flat, M8 x 16.5 S/S, bracket to chassis			A111W4175F	2
21	Spring Seat, lower front			A138C0011H	2
22	Balljoint, suspension			B111C6012F	4
23	Nyloc Nut, M12 x 1.5, ball joint			B100C6019F	4
24	Pivot Bolt, M10 x 80, hex. hd., wishbone upper front			A075W2061Z	8
25	Nut M10 hex flg, wishbone fixings			A138W3006F	4
26	Shim Castor Adjust, 1.5 mm, large			A111C0077F	6
27	Snubber Washer, rubber coated, upper wishbone			A111C0081F	2
28	Shim Castor Adjust, 1.5 mm, small			A111C0080F	8
29	Pivot Bolt, M10 x 75mm, hex. hd., wishbone upper rear			A075W2059Z	2
30	Nut M10 hex flg, wishbone fixings			A138W3006F	4
31	Assly Wishbone Lower, front LH, includes balljoint & bushes			D138C4009J	1



Function Code: 31.01, Page: 2

*Updated 3rd February 2017*

**Function Code 31.01 Front Suspension, Incl. Hubs**

<u>Dep</u>	<u>Part Description</u>	<u>Remarks</u>	<u>Option</u>	<u>Part Number</u>	<u>Qty</u>
31a	Assy Wishbone Lower, front RH, includes balljoint & bushes			D138C4010J	1
32	Drop Link ARB			A111C0063F	2
33	Washer Flat M10,			A075W4023F	4
34	Nut Nyloc M10,			A100W3112F	4
35	Pivot Bolt, M10 x 85, hex. hd., wishbone lower			A079W2063F	4
36	Anti Roll Bar Front 21.5mm			A138C0013F	1
37	Mount Bracket ARB			C138C0017F	1
38	Bush ARB			A132C6016F	2
39	Backing Plate 5.0mm			A138C0055F	1
40	Screw M8 x 30 skt cap hd			A117W7215F	4
41	Spreader Plate Front Damper Bracket			A138A0119F	2
42	Washer M8 x 25 x 1.5 s/s			B075W4021Z	2
43	Assy Wishbone Upper, front LH, includes balljoint & bushes			C138C4001J	1
43a	Assy Wishbone Upper, front RH, includes balljoint & bushes			C138C4002J	1
44	Bump Stop Front			A138C0009H	2
45	Assembly Spring & Damper Sport, front		Also Roadster	C138C0056F	2
45a	Assembly Spring & Damper Race, front			C138C0018F	2
46	Tie Wrap Clip, ABS sensor			A124W6794F	2
47	Adjustable anti-roll bar		Option Exige Sport 380	A703C0001F	1

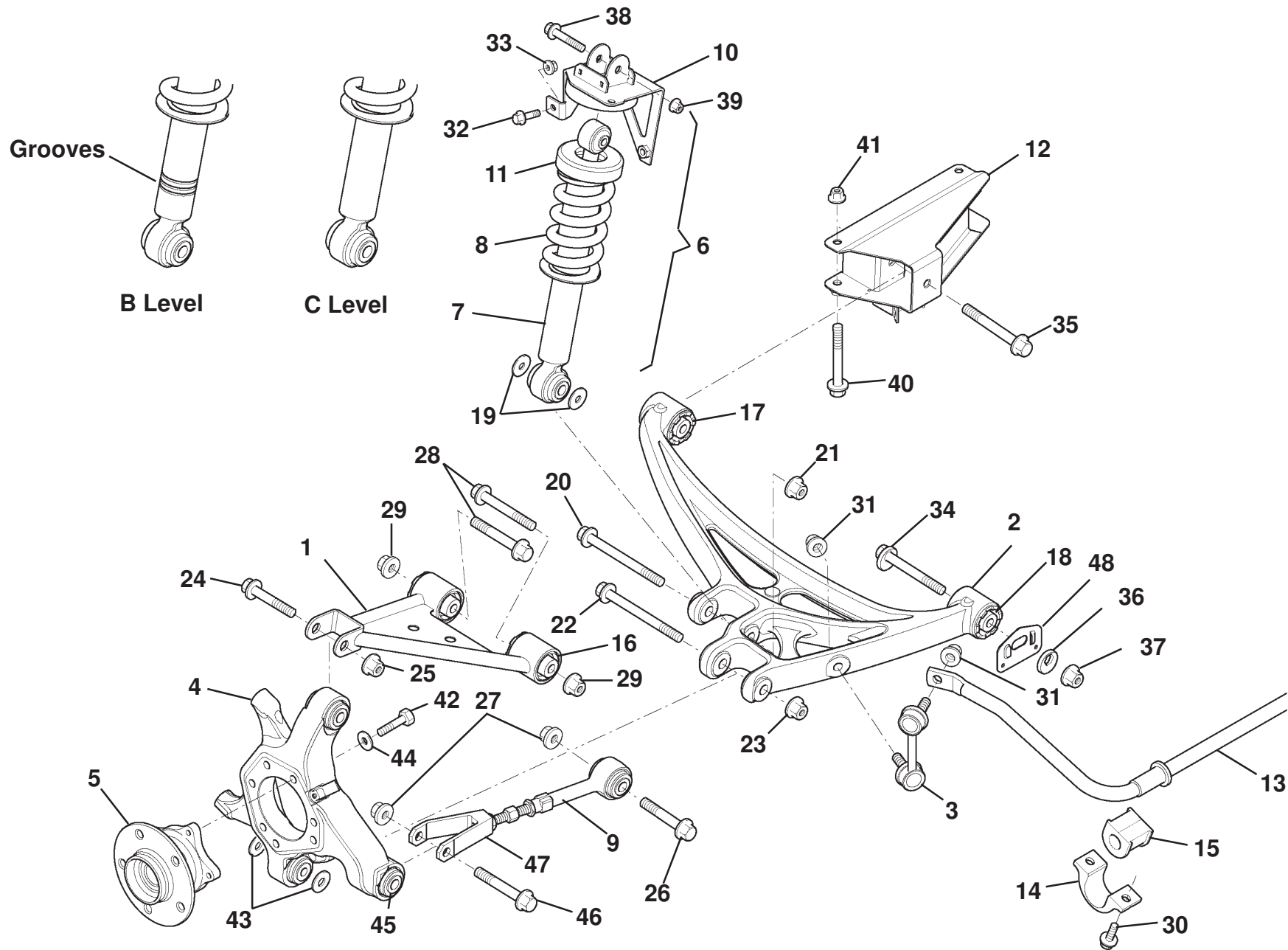


---

**Function Code 31.01 Front Suspension, Incl. Hubs**

<u>Dep</u>	<u>Part Description</u>	<u>Remarks</u>	<u>Option</u>	<u>Part Number</u>	<u>Qty</u>
48	Assembly Spring and Damper Front	Nitron	Option Exige Sport 380	<b>A702C0001F</b>	2
49	Bracket Assembly Front Damper Mounting LH		Option Exige Sport 380	<b>A702C4001F</b>	1
49a	Bracket Assembly Front Damper Mounting RH		Option Exige Sport 380	<b>A702C4002F</b>	1

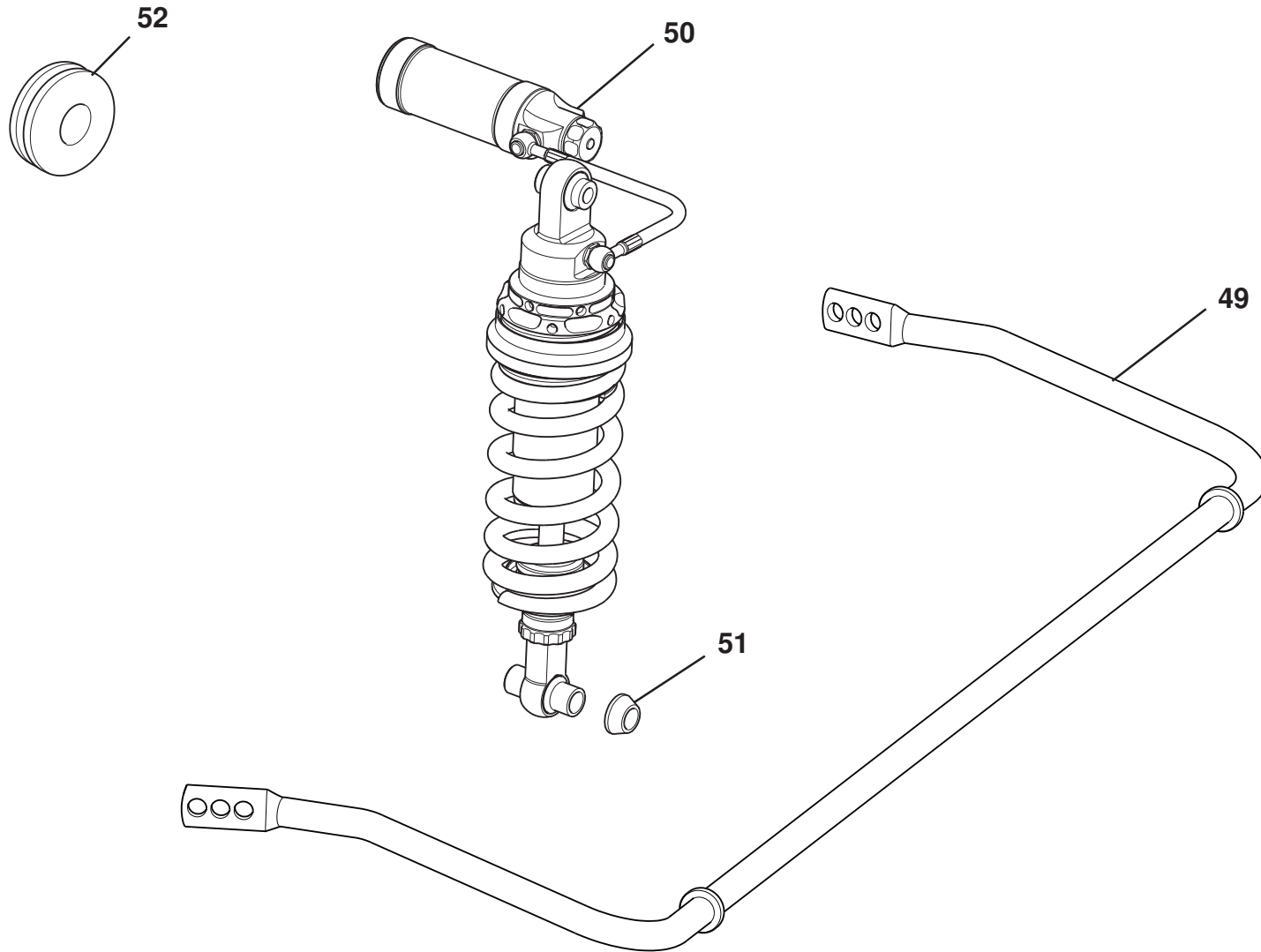




**EXIGE**

31.03 page 1

*Updated 3rd February 2017*



**EXIGE**

31.03 page 2

*Updated 3rd February 2017*



# Service Parts List

# EXIGE



## Function Code 31.03 Rear Suspension, Incl. Hubs

<u>Dep</u>	<u>Part Description</u>	<u>Remarks</u>	<u>Option</u>	<u>Part Number</u>	<u>Qty</u>
01	Assembly Wishbone Rear Upper, includes bushes			A138D0001J	2
02	Assembly Wishbone Rear Lower, includes bushes			A138D0028F	2
03	Droplink, ARB rear LH			B132D4009F	1
03a	Droplink, ARB rear RH			B132D4010F	1
04	Upright Assembly Rear LH, includes bushes			B138D4021F	1
04a	Upright Assembly Rear RH, includes bushes			B138D4022F	1
05	Hub Unit, driven			A132D0021F	2
06	Spring & Damper Assembly Sport, rear LH			C138D4031F	1
06a	Spring & Damper Assembly Sport, rear RH			C138D4032F	1
06b	Spring & Damper Assembly Race, rear LH			D138D4023F	1
06c	Spring & Damper Assembly Race, rear RH			D138D4024F	1
07	Damper Assembly Sport, rear	Cars fitted with 'B' level dampers to be replaced in pairs		C138D0085F	2
07a	Damper Assembly Race, rear	Cars fitted with 'B' level dampers to be replaced in pairs		D138D0031F	2
08	Road Spring Sport, rear			B138D0084F	2
08a	Road Spring Race, rear			B138D0039F	2
09	Assembly Toe Link Inner			A138D0082F	2
10	Assembly Damper Top Mount LH			B138D4025H	1

EXIGE

**Function Code 31.03 Rear Suspension, Incl. Hubs**

<u>Dep</u>	<u>Part Description</u>	<u>Remarks</u>	<u>Option</u>	<u>Part Number</u>	<u>Qty</u>
10a	Assembly Damper Top Mount RH			B138D4026H	1
11	Isolator Spring			B138D0027F	2
12	Bracket Assembly Mounting, rear wishbone lower LH			A138A4005F	1
12a	Bracket Assembly Mounting, rear wishbone lower RH			A138A4006F	1
13	Anti Roll Bar, rear 19mm			A138D0083F	1
13a	Anti Roll Bar, rear 19.5 mm		Roadster	A138D0081F	1
14	Mount Bracket, ARB			C132C0046F	2
15	Rubber Mount, ARB			A138D6000F	2
15a	Rubber Mount, ARB		Roadster	A138D6002F	2
16	Bush, wishbone rear upper	Beige		B132C0020F	4
17	Bush, wishbone rear lower frt	Beige		B132C0020F	2
18	Bush, wishbone rear lower rr	Green		B132C0019F	2
19	Washer Flat M14 x 30, damper lower			B132D0033F	4
20	Bolt M14 x 125 hex flg damper lower			A132W2010F	2
21	Nut M14 hex flg. damper lower			A132W3023F	2
22	Bolt M14 x 125 hex flg upright lower			A132W2010F	2
23	Nut M14 hex flg, upright lower			A132W3023F	2
24	Bolt M14 x 75 hex flg, upright upper			A132W2012F	2
25	Nut M14 hex flg, upright upper			A132W3023F	2
26	Bolt M14 x 75 hex flg, toe link			A132W2012F	2
27	Nut M14 hex flg, toe link			A132W3023F	4



**Function Code 31.03 Rear Suspension, Incl. Hubs**

<u>Dep</u>	<u>Part Description</u>	<u>Remarks</u>	<u>Option</u>	<u>Part Number</u>	<u>Qty</u>
28	Bolt M12 x 85 hex flg. wishbone upper			A132W2040F	4
29	Nut M12 hex flg, wishbone upper			A132W3010F	4
30	Bolt M10 x 20 flg hd. ARB			A132W5007F	4
31	Nut M12 hex flg, droplink			A132W3022F	4
32	Screw M8 x 20 hex flg. Damper bracket			A132W5005F	6
33	Nut M8 hex flg, damper bracket			A132W3006F	4
34	Cambolt M12 x 95 hex flg hd. Lower wishbone			B132W2021F	2
35	Bolt M12 x 85 hex flg. wishbone lower			A132W2040F	2
36	Washer Cam, wishbone lower			A132W4000F	2
37	Nut M12 hex flg, wishbone upper			A132W3010F	2
38	Bolt M10 x 55 hex flg, top damper mount			A138W2003F	2
39	Nut M10 hex flg, top damper mount			A132W3005F	2
40	Bolt M10 x 100 hex flg, wishbone mtg brkt			A116W5235F	2
41	Nut M10 hex flg, wishbone mtg brkt			A132W3005F	2
42	Screw M10 x 50 hex hd, hub			A132W2045F	8
43	Washer Flat M14 x 30, upright lower			B132D0033F	4
44	Washer 7/16 x 7/8			B120W4199F	8
45	Spherical Joint, hub carrier	2 lower 1 upper per side		B132D6006H	6
46	Bolt M14 x 90 hex flg, toe link			A138W6022F	2
47	Toe Link Outer			B138D0090F	2
48	Plate, cambolt			B132A0274F	2

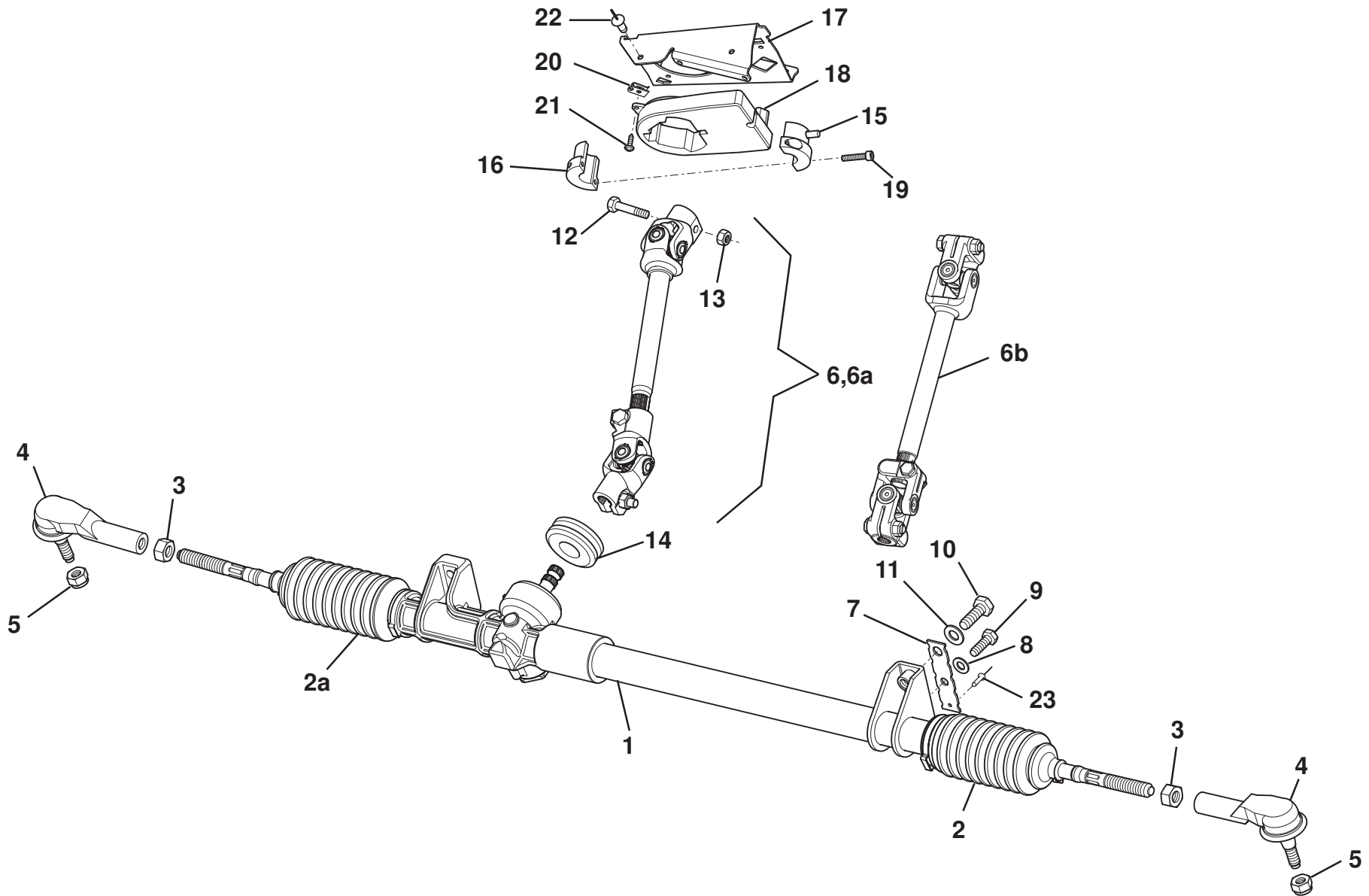


---

**Function Code 31.03 Rear Suspension, Incl. Hubs**

<u>Dep</u>	<u>Part Description</u>	<u>Remarks</u>	<u>Option</u>	<u>Part Number</u>	<u>Qty</u>
49	Adjustable anti-roll bar		Option Exige Sport 380	<b>A703D0001F</b>	1
50	Assembly Spring and Damper Rear	Nitron	Option Exige Sport 380	<b>A702D0001F</b>	2
51	Spacer Damper Mounting Lower		Option Exige Sport 380	<b>A702D0004F</b>	2
52	Grommet, bootbox		Option Exige Sport 380	<b>A702B6000F</b>	1





**EXIGE**

**32.01**

*Updated 1st November 2016*

# Service Parts List

# EXIGE



## Function Code 32.01 Rack & Pinion, & Lower Column

<u>Dep</u>	<u>Part Description</u>	<u>Remarks</u>	<u>Option</u>	<u>Part Number</u>	<u>Qty</u>
01	Steering Rack Assembly, RHD			A117H0052F	1
01a	Steering Rack Assembly, LHD			A117H0053F	1
02	Gaiter, steering rack, non-pinion end			A120H6004S	1
02a	Gaiter, steering rack, pinion end			A120H6005S	1
03	Lock Nut, M12 , track rod end to track rod			A111W3124F	2
04	Track Rod End/Ball Joint			B138H0006F	2
05	Nyloc Nut, M10, track rod end to steering arm			A111W3157F	2
06	Intermediate Steering Shaft, Assembly RHD			B120H0011F	1
06a	Intermediate Steering Shaft, Assembly LHD			A120H0014F	1
06b	Intermediate Steering Shaft, Assembly		Exige Sport 350 from vin GH_21367*	A120H0021F	1
07	Adjuster Plate, rack height setting (10 notch)		Exige S	A111H0021F	2
07a	Adjuster Plate, rack height setting (8 notch)		Exige Sport 350	A111H0019F	2
08	Washer, flat, M8, rack mounting			A075W4020Z	2
09	Setscrew, M8 x 25, hex. hd., rack mounting			A082W1110F	2
10	Setscrew, M10 x 30, hex. hd., rack mounting			A100A6028F	2
11	Washer, flat, M10, rack mounting			A075W4024Z	2
12	Bolt, M8 x 40, hex. hd., 10.9 grade, steering shaft to U/J			A918W2171F	4
13	Nyloc Nut, M8, steering shaft to U/J			A075W3010Z	4

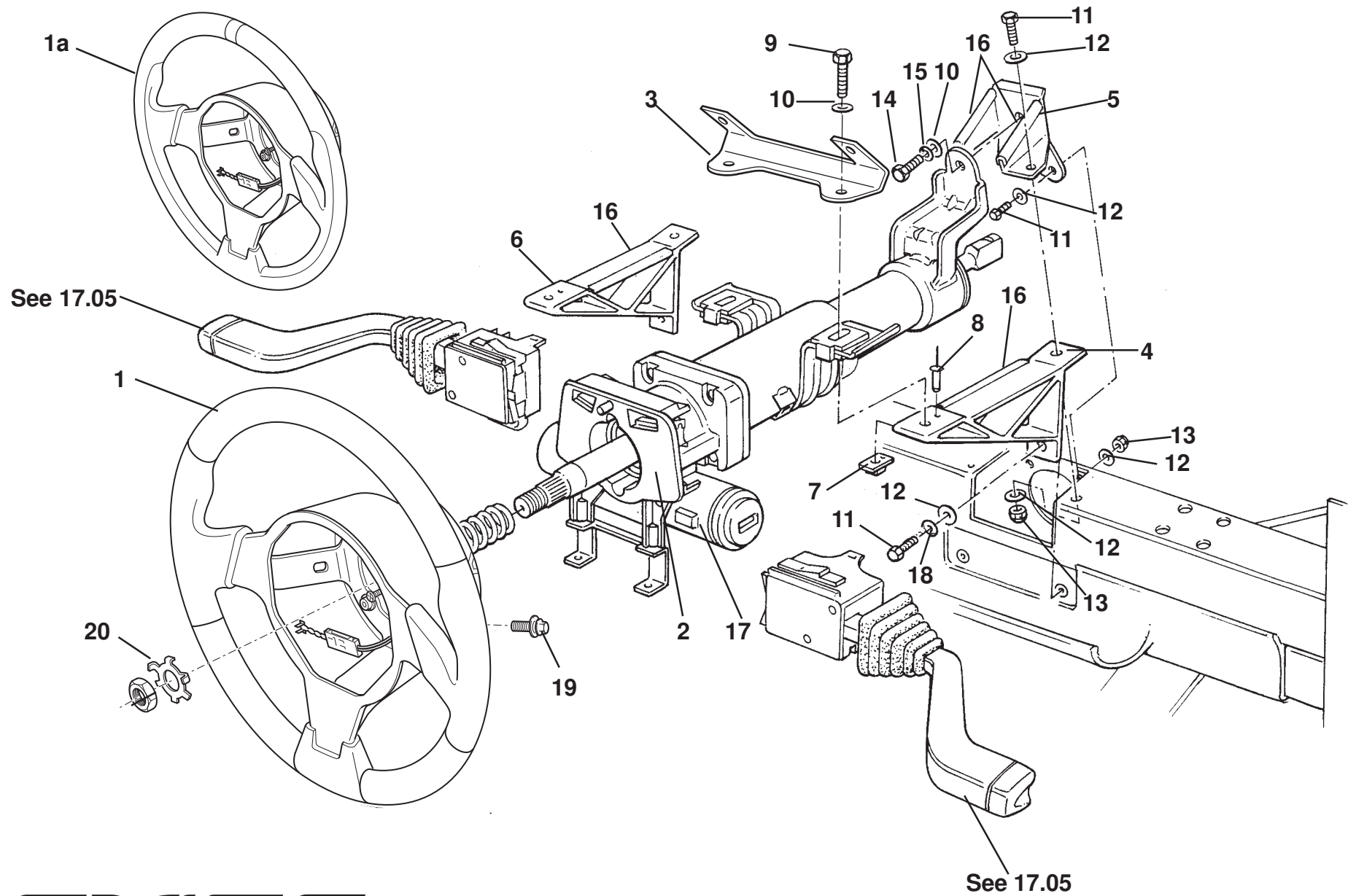
EXIGE

**Function Code 32.01 Rack & Pinion, & Lower Column**

<u>Dep</u>	<u>Part Description</u>	<u>Remarks</u>	<u>Option</u>	<u>Part Number</u>	<u>Qty</u>
14	Seal, steering shaft thro' bulkhead			A120H0002F	1
15	Collar SWA sensor upper			A120J0076F	1
16	Collar SWA sensor lower			A120J0077F	1
17	Bracket SWA sensor RHD			B138J4050F	1
17a	Bracket SWA sensor RHD		Exige Sport 350 from vin GH_21367*	C138J4050F	1
17b	Bracket SWA sensor LHD			B138J4049F	1
17c	Bracket SWA sensor LHD		Exige Sport 350 from vin GH_21367*	C138J4049F	1
18	Sensor, steering angle			A132J0092F	1
19	Screw M5 x 25 Socket hd cap, SWA collar			A132W7001F	2
20	Nut Spire No 8, sensor, steering angle			A124W3225F	3
21	Screw No 6 flg pozi, sensor, steering angle			A075W5012F	3
22	Pop Rivet, sensor bracket			A082W6259F	4
23	Pop Rivet			A082W6512F	2

\*Note earlier vins may have part fitted





**EXIGE**

**32.05**

*Updated 1st July 2014*



# Service Parts List

# EXIGE



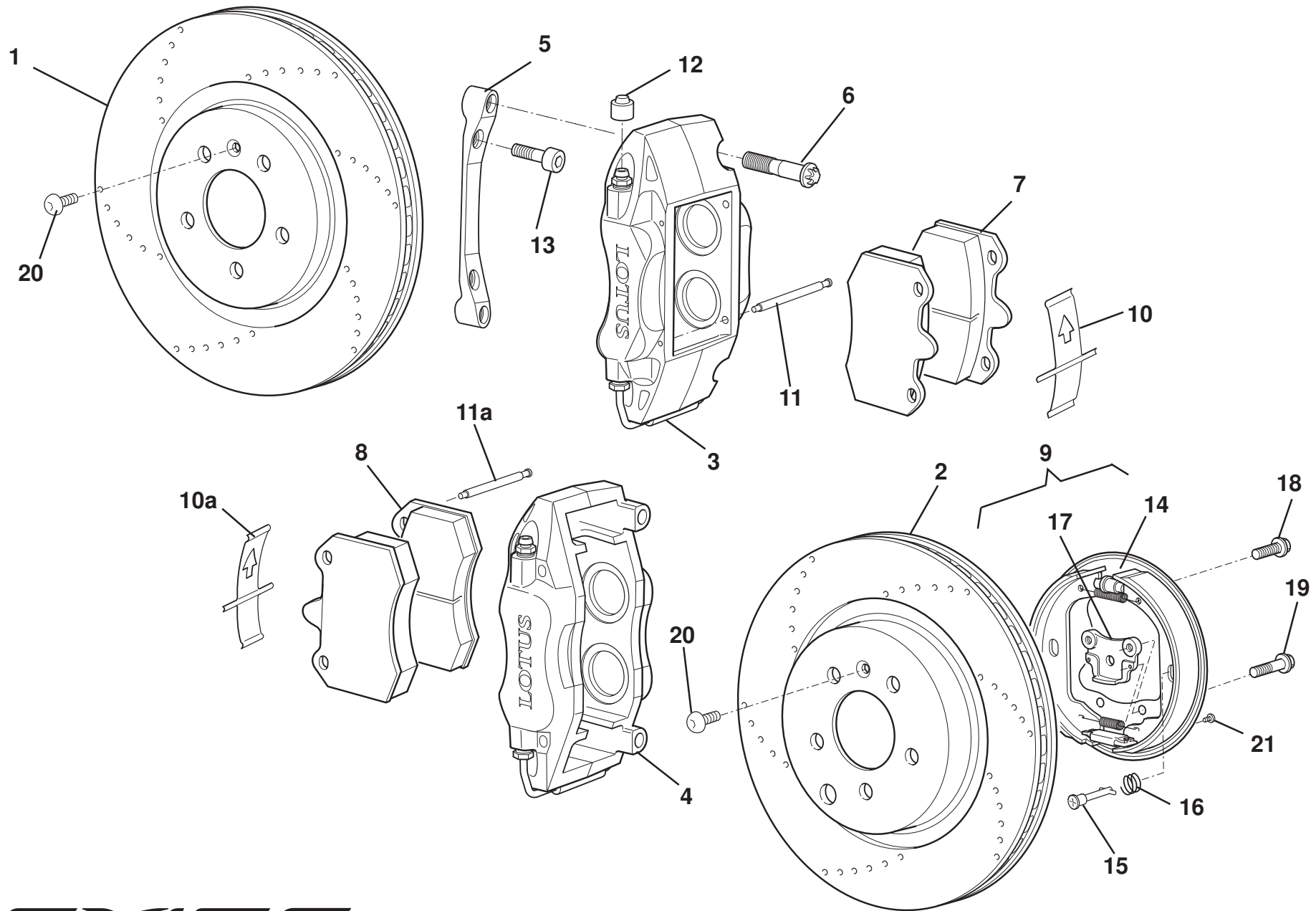
## Function Code 32.05 Upper Column, Steering Wheel

<u>Dep</u>	<u>Part Description</u>	<u>Remarks</u>	<u>Option</u>	<u>Part Number</u>	<u>Qty</u>
01	Steering Wheel Assembly, SIR	Includes rotary connector		A116U0085F	1
01a	Steering Wheel Assembly, SIR, black leather	Includes rotary connector	Premium trim	A138V0013F	1
01b	Steering Wheel Assembly, SIR, black alcantara	Includes rotary connector	Exige sport 380	A138V0835F	1
01c	Steering Wheel Assembly, SIR, red alcantara	Includes rotary connector	Exige sport 380	A138V0836F	3
02	Upper Steering Column	Includes ign. switch/steering lock		A117H6001F	1
03	Bracket, switch module mounting			A121H0001F	1
04	Column Mounting Bracket, RH			E117U0016F	1
05	Bracket, forward column mounting			B111H0004F	1
06	Column Mounting Bracket, LH			E117U0135F	1
07	Nutplate, upper column support			B111H0007F	2
08	Pop Rivet, nutplate to bracket			A075W6092Z	2
09	Bolt, M8 x 35, hex. hd., column to bracket			B075W2038F	2
10	Washer, flat, M8 x 20 x 2.5			A079W4019F	3
11	Setscrew, M6 x 16, side to forward brk/chassis			A075W1028Z	6
12	Washer, flat, M6 x 12.1 x 1.4			A075W4013Z	10
13	Nyloc Nut, M6			A907E6285F	4
14	Setscrew, M8 x 16 hex. hd., front mounting			A075W1036Z	1
15	Washer, spring, M8			A075W4036Z	1

---

**Function Code 32.05 Upper Column, Steering Wheel**

<u>Dep</u>	<u>Part Description</u>	<u>Remarks</u>	<u>Option</u>	<u>Part Number</u>	<u>Qty</u>
16	Rubber Beading, bracket edge protection			<b>B075U6054V</b>	0.3M
17	Steering Lock Housing	Excluding lock barrel, see 10.17, item 1		<b>A111H6003S</b>	1
18	Washer, spring, M6			<b>A075W4035Z</b>	2
19	Shear Bolt, steering lock			<b>A111H6026S</b>	2
20	Lock Plate, steering wheel			<b>A111H6009F</b>	1



**EXIGE**

**33.01**

*Updated 4th April 2013*

# Service Parts List

# EXIGE



## Function Code 33.01 Brake Discs, Calipers, & Parking Brake Assembly

<u>Dep</u>	<u>Part Description</u>	<u>Remarks</u>	<u>Option</u>	<u>Part Number</u>	<u>Qty</u>
01	Brake Disc, front, cross-drilled, LH			A138J0014F	1
01a	Brake Disc, front, 2 piece cross-drilled, LH		Optional	B138J4045F	1
01b	Brake Disc, front, 2 piece grooved, LH		Exige sport 380	A138J4099F	1
01c	Brake Disc, front, cross-drilled, RH			A138J0015F	1
01d	Brake Disc, front, 2 piece cross-drilled, RH		Optional	B138J4046F	1
01e	Brake Disc, front, 2 piece grooved, RH		Exige sport 380	A138J4100F	1
02	Brake Disc, rear, cross-drilled, LH			B138J4051F	1
02a	Brake Disc, rear, 2 piece cross-drilled, LH		Optional	B138J4047F	
02b	Brake Disc, rear, 2 piece grooved, LH		Exige sport 380	A703J4003F	
02c	Brake Disc, rear, cross-drilled, RH			B138J4052F	1
02d	Brake Disc, rear, 2 piece cross-drilled, RH		Optional	B138J4048F	
02e	Brake Disc, rear , 2 piece grooved, RH		Exige sport 380	A703J4004F	
03	Brake Caliper, front, red LH 'Lotus'	Includes pads		A138J4037F	1
03a	Brake Caliper, front, red RH 'Lotus'	Includes pads		A138J4038F	1
03b	Brake Caliper, front, yellow LH 'Lotus'	Includes pads		A138J4041F	1
03c	Brake Caliper, front, yellow RH 'Lotus'	Includes pads		A138J4042F	1
03d	Brake Caliper, front, black LH 'Lotus'	Includes pads		A138J4017F	1
03e	Brake Caliper, front, black RH 'Lotus'	Includes pads		A138J4018F	1

EXIGE

**Function Code 33.01 Brake Discs, Calipers, & Parking Brake Assembly**

<u>Dep</u>	<u>Part Description</u>	<u>Remarks</u>	<u>Option</u>	<u>Part Number</u>	<u>Qty</u>
03f	Brake Caliper, front, silver LH 'Lotus'	Includes pads	Roadster	A138J4055F	1
03g	Brake Caliper, front, silver RH 'Lotus'	Includes pads	Roadster	A138J4056F	1
03h	Brake Caliper, front, red LH 'AP Racing'	Includes pads		A138J4059F	1
03i	Brake Caliper, front, red RH 'AP Racing'	Includes pads		A138J4060F	1
03j	Brake Caliper, front, yellow LH 'AP Racing'	Includes pads		A138J4063F	1
03k	Brake Caliper, front, yellow RH 'AP Racing'	Includes pads		A138J4064F	1
03l	Brake Caliper, front, black LH 'AP Racing'	Includes pads		A138J4071F	1
03m	Brake Caliper, front, black RH 'AP Racing'	Includes pads		A138J4072F	1
03n	Brake Caliper, front, silver LH 'AP Racing'	Includes pads	Roadster	A138J4067F	1
03o	Brake Caliper, front, silver RH 'AP Racing'	Includes pads	Roadster	A138J4068F	1
04	Brake Caliper, rear, red LH 'Lotus'	Includes pads		A138J4039F	1
04a	Brake Caliper, rear, red RH 'Lotus'	Includes pads		A138J4040F	1
04b	Brake Caliper, rear, yellow LH 'Lotus'	Includes pads		A138J4043F	1
04c	Brake Caliper, rear, yellow RH 'Lotus'	Includes pads		A138J4044F	1
04d	Brake Caliper, rear, black LH 'Lotus'	Includes pads		A138J4019F	1
04e	Brake Caliper, rear, black LH 'Lotus'	Includes pads		A138J4020F	1
04f	Brake Caliper, rear, silver LH 'Lotus'	Includes pads	Roadster	A138J4057F	1
04g	Brake Caliper, rear, silver RH 'Lotus'	Includes pads	Roadster	A138J4058F	1
04h	Brake Caliper, rear, red LH 'AP Racing'	Includes pads		A138J4061F	1
04i	Brake Caliper, rear, red RH 'AP Racing'	Includes pads		A138J4062F	1
04j	Brake Caliper, rear, yellow LH 'AP Racing'	Includes pads		A138J4065F	1



**Function Code 33.01 Brake Discs, Calipers, & Parking Brake Assembly**

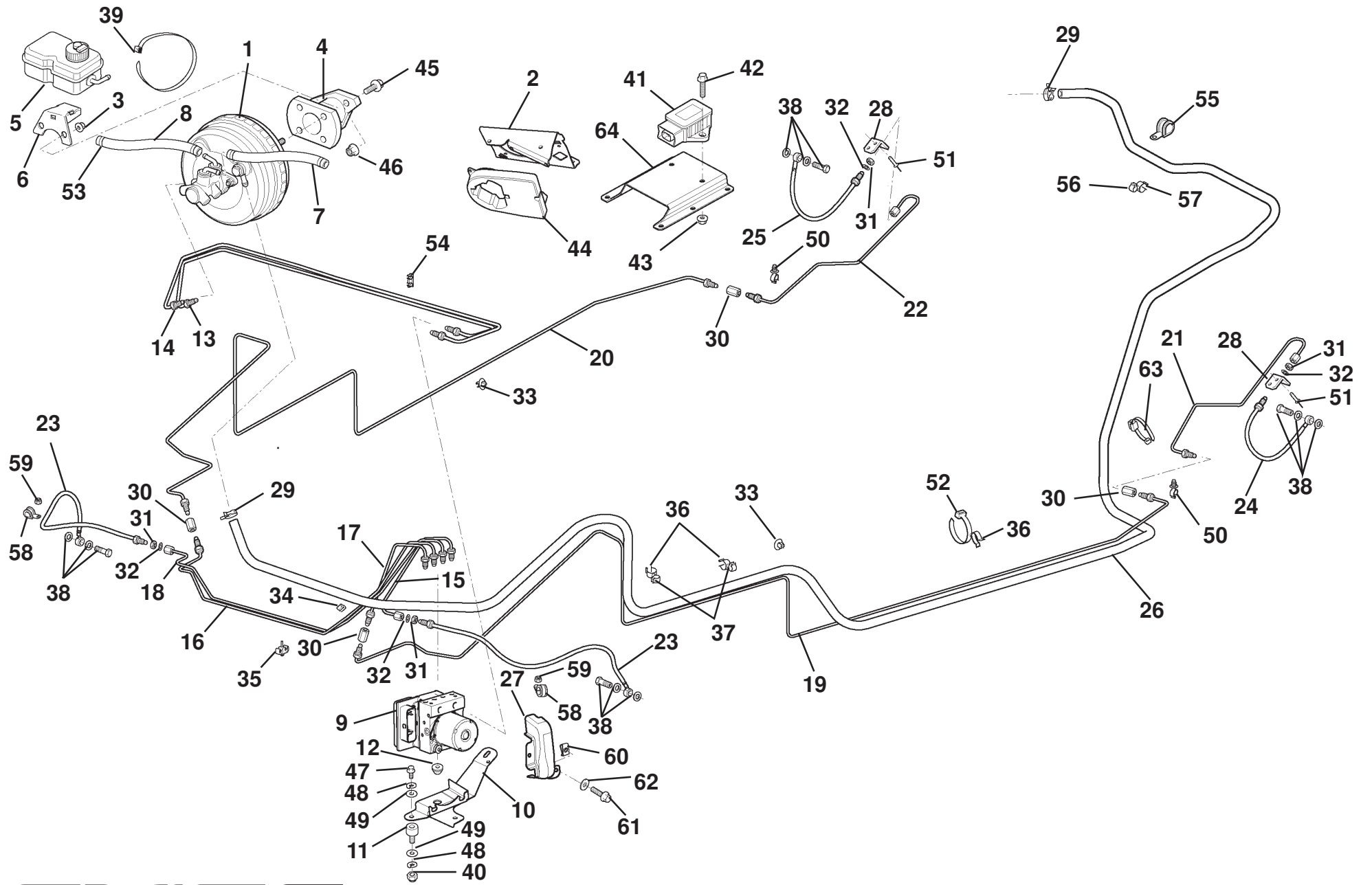
<u>Dep</u>	<u>Part Description</u>	<u>Remarks</u>	<u>Option</u>	<u>Part Number</u>	<u>Qty</u>
04k	Brake Caliper, rear, yellow RH 'AP Racing'	Includes pads		A138J4066F	1
04l	Brake Caliper, rear, black LH 'AP Racing'	Includes pads		A138J4073F	1
04m	Brake Caliper, rear, black RH 'AP Racing'	Includes pads		A138J4074F	1
04n	Brake Caliper, rear, silver LH 'AP Racing'	Includes pads	Roadster	A138J4069F	1
04o	Brake Caliper, rear, silver RH 'AP Racing'	Includes pads	Roadster	A138J4070F	1
05	Assembly Caliper Mount Front LH			B138J4015F	1
05a	Assembly Caliper Mount Front RH			B138J4016F	1
06	Bolt M12 x 70 lobe hd, caliper mounting			A138J6001F	8
07	Brake Pad set front	Includes clips and pins		A132J0001S	1
08	Brake Pad set rear	Includes clips and pins		A132J0002S	1
09	Parking Brake Assembly	Includes adjuster & springs, brake shoes & backplate		B132J0145F	2
10	Clip, anti-rattle front			A132J6056S	2
10a	Clip, anti-rattle rear			A132J6061S	2
11	Pin, pad retaining front			A132J6057S	4
11a	Pin, pad retaining rear			A132J6062S	4
12	Dust Cap, bleed nipple			A132J6058S	8
13	Bolt M10 x 30 skt cap hd, caliper mount to upright			A138W2005F	4
14	Back Plate, parking brake			B132J0134F	2
15	Fastener, quarter turn, shoe retaining			A132J6047F	4
16	Spring, fastener to backplate			A132J6048F	4



---

**Function Code 33.01 Brake Discs, Calipers, & Parking Brake Assembly**

<u>Dep</u>	<u>Part Description</u>	<u>Remarks</u>	<u>Option</u>	<u>Part Number</u>	<u>Qty</u>
17	Support Block, shoe assembly			A132J6045F	2
18	Bolt M10 x 45 hex flg backplate to hub			A132W2005F	4
19	Bolt M10 x 40 hex flg. backplate to hub			A132W2044F	2
20	Screw, M8 x 12 skt. hd cap, disc to hub			A111W7131F	4
21	Screw, M6 x 7, button hd., block to backplate			A132W5024F	4



**EXIGE**  
33.03

*Updated 1st July 2015*



# Service Parts List



## Function Code 33.03 Master Cylinder, Servo, ABS Controller, Pipes & Hoses

<u>Dep</u>	<u>Part Description</u>	<u>Remarks</u>	<u>Option</u>	<u>Part Number</u>	<u>Qty</u>
01	Brake Servo and Master Cylinder Assembly			A132J6004F	1
02	Bracket, steering angle sensor	See setion 32.01			
03	Nut M8 hex flg., booster to spacer			A111W3154F	4
04	Spacer, brake servo RHD			A138J0061F	1
04a	Spacer, brake servo LHD			A138J0024F	1
05	Reservoir, brake			A116J0048F	1
05a	Reservoir, brake		Auto	A132J0200F	1
06	Bracket Assembly, reservoir mounting			A138J0084F	1
07	Hose, reservoir to M/C front, LHD	Refer to TSB 2015/02, cut to length		A132J0308V	310mm
07a	Hose, reservoir to M/C front, RHD	Refer to TSB 2015/02, cut to length		A132J0308V	310mm
08	Hose, reservoir to M/C rear, LHD	Refer to TSB 2015/02, cut to length		A132J0308V	310mm
08a	Hose, reservoir to M/C rear, RHD	Refer to TSB 2015/02, cut to length		A132J0308V	310mm
09	ESP Module Assembly, uncalibrated	Supplied pre-filled, dealer programmed on tech centre		A132J0223S	1
10	Bracket Assembly ESP Module			A120J0073F	1
11	Rubber Bobbin Mounting			A082J6177F	3
12	Bush Module Mounting			A132J0206F	1



Function Code: 33.03, Page: 1

Updated 1st November 2016

**Function Code 33.03 Master Cylinder, Servo, ABS Controller, Pipes & Hoses**

<u>Dep</u>	<u>Part Description</u>	<u>Remarks</u>	<u>Option</u>	<u>Part Number</u>	<u>Qty</u>
13	Brake Pipe Assembly, ABS to m/cylinder rear RHD			A138J0045F	1
13a	Brake Pipe Assembly, ABS to m/cylinder rear LHD			A138J0035F	1
14	Brake Pipe Assembly, ABS to m/cylinder front RHD			A138J0046F	1
14a	Brake Pipe Assembly, ABS to m/cylinder front LHD			A138J0036F	1
15	Brake Pipe Assembly, ABS to left front			A120J0079F	1
16	Brake Pipe assembly, ABS to left bodyside			A138J0082F	1
17	Brake Pipe Assembly, ABS to right front			B138J0037F	1
18	Brake Pipe assembly, ABS to right bodyside			B138J0038F	1
19	Brake Pipe Assembly, bodyside front to rear LH			B138J4027F	1
20	Brake Pipe Assembly, bodyside front to rear RH			B138J4028F	1
21	Brake Pipe Assembly, rear to flexi LH			B138J4011F	1
22	Brake Pipe Assembly, rear to flexi RH			B138J4012F	1
23	Brake Hose Assembly Front	Includes banjo bolt, sealing washers and 'P' clip		A138J0009F	2
24	Brake Hose Assembly Rear LH			A132J4037F	1
25	Brake Hose Assembly Rear RH			A132J4038F	1
26	Vacuum Hose Side RHD			A138J0008F	1
26a	Vacuum Hose Side LHD			A138J0005F	1
27	Shield splash, ABS module			A120B0387F	1
28	Bracket, brake hose rear			C132J0017F	2
29	Hose Clamp 18mm			A120W6739F	2



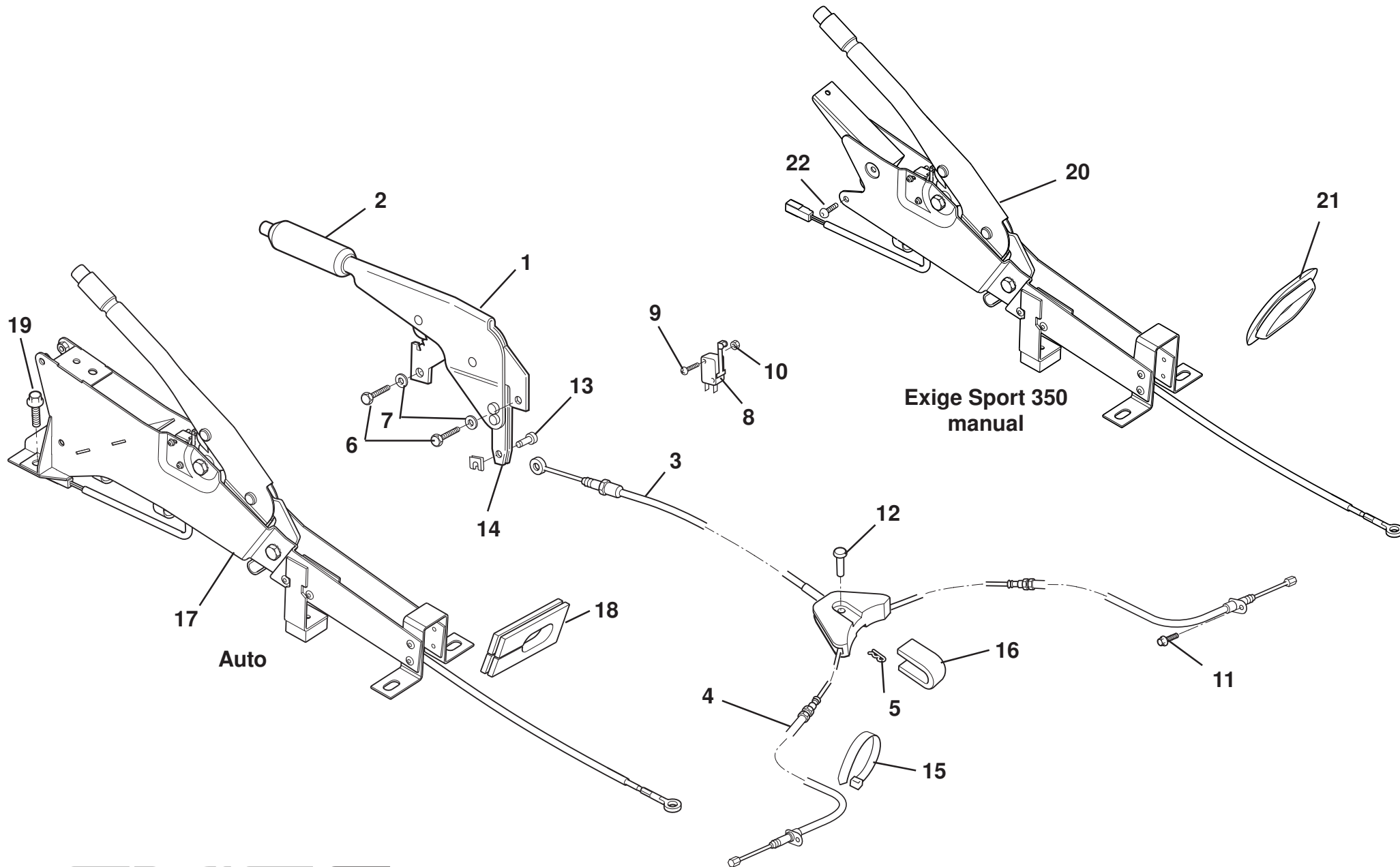
**Function Code 33.03 Master Cylinder, Servo, ABS Controller, Pipes & Hoses**

<u>Dep</u>	<u>Part Description</u>	<u>Remarks</u>	<u>Option</u>	<u>Part Number</u>	<u>Qty</u>
30	Connector Tube			B116J6032F	4
31	Lock Nut M10 hex			A075J6017Z	4
32	Washer Shakeproof M10			A075W4049Z	4
33	Pipe Clip			A116W6661F	18
34	W Clip			A138W6020F	5
35	Pipe Clip, 2 way			A100J6044F	1
36	Clip Swivel			A082W6587F	10
37	Clip Swivel			A116W6656F	4
38	Banjo Bolt + Washers	P/O hose assembly		B132J6006J	4
39	Cable Tie, reservoir to bracket			B075W6045Z	1
40	Nyloc Nut, M6, bobbin fix.			A075W3009Z	3
41	Yaw Rate Sensor	Under tunnel trim		A132J0093F	1
42	Screw, M6 x 20, hex. flg. hd., sensor mounting			A117W2203F	2
43	Nut M6, flg., sensor mounting			A117W3180F	2
44	Steering Angle Sensor	See 32.05		A132J0092F	1
45	Screw M8 x 25, hex flg hd. spacer to pedal box			A132W5006F	2
46	Nut M8 hex flg., spacer to pedal box			A132J6024H	2
47	Screw, M6 x 10, hex. hd., bobbin to bracket			A075W1026Z	3
48	Washer, spring, M6, bobbin to bracket			A075W4035Z	6
49	Washer, flat, M6 x 15, bobbin to bracket			A075W4015Z	6
50	Clip Swivel, fir tree			A120W6893F	2



**Function Code 33.03 Master Cylinder, Servo, ABS Controller, Pipes & Hoses**

<u>Dep</u>	<u>Part Description</u>	<u>Remarks</u>	<u>Option</u>	<u>Part Number</u>	<u>Qty</u>
51	Pop Rivet, bracket brake hose rear			A085W6259F	4
52	Cable Tie, vacuum pipe			A082W6324F	6
53	Clip Oetiker, reservoir hoses	Refer to TSB 2015/02		A132W6109F	6
54	Pipe Clip, 2 way	LHD 2 off, RHD 4 off		A138W6020F	As req.
55	'P' Clip, vacuum hose			A111W6666F	1
56	Pipe Clip			A132W6047F	2
57	Clip Swivel			A132W6091F	2
58	'P' Clip, hose retention			A111W6595F	2
59	Nyloc Nut, M6, thin Zn, clip to wishbone			A907E6285F	2
60	Speed Nut M6			A117W3181F	2
61	Screw M6 x 16 hex flg			A132W5003F	2
62	Washer M6 x 25 x 1.4 s/s			A082W4131F	2
63	Edge Clip cable Tie			A126W6896F	1
64	Bracket mounting, yaw sensor			A120J0078F	1



**EXIGE**

**33.05**

*Updated 1st April 2016*

# Service Parts List

# EXIGE



## Function Code 33.05 Parking Brake Mechanism

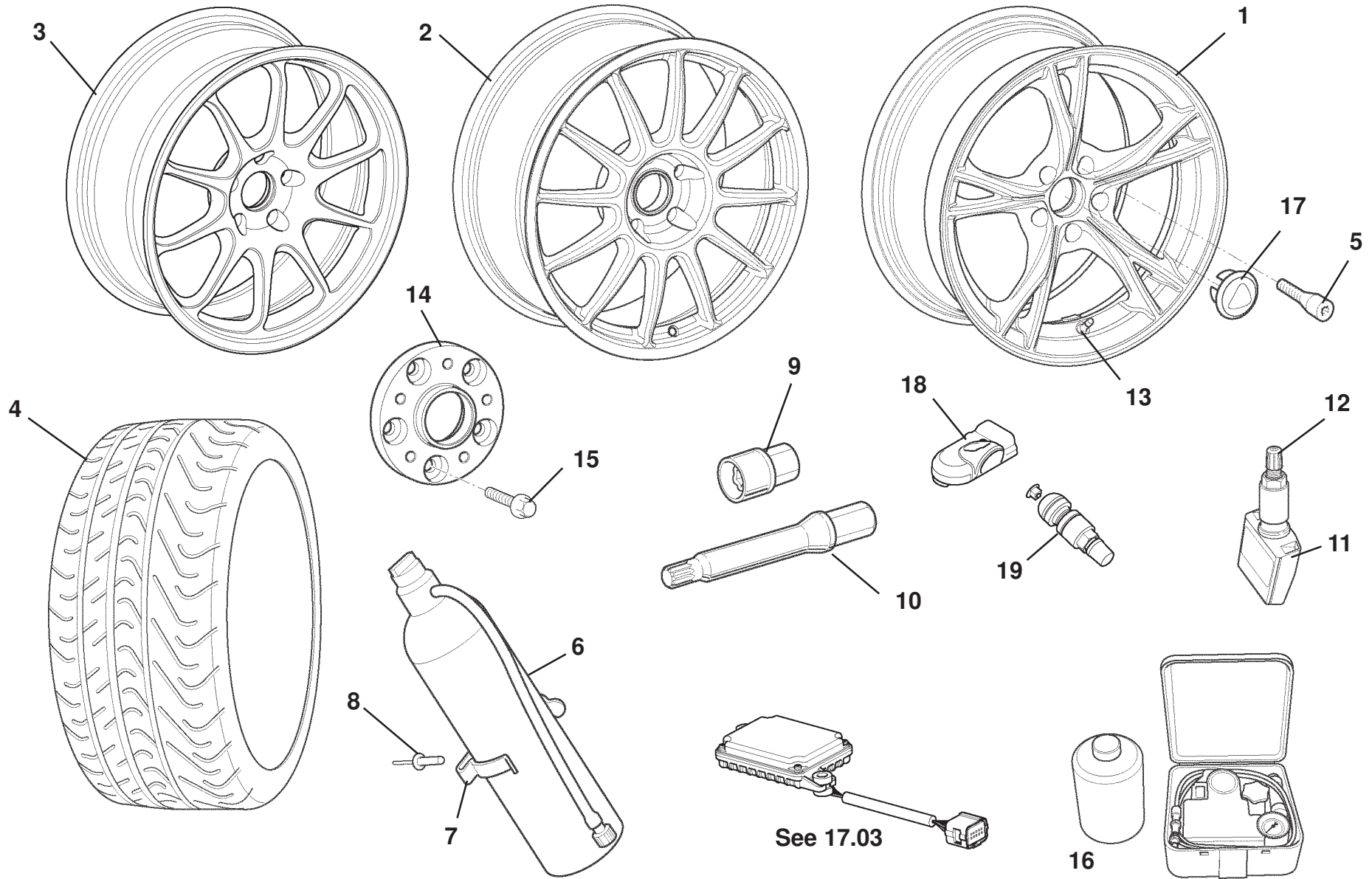
<u>Dep</u>	<u>Part Description</u>	<u>Remarks</u>	<u>Option</u>	<u>Part Number</u>	<u>Qty</u>
01	Parking Brake Assembly, without hand grip		Common	A132J0147F	1
02	Parking Brake Hand-Grip, alloy			A117U0147F	1
02a	Parking Brake Hand-Grip, alloy,leather	Black stitching	Black leather	A132U0211J	1
02b	Parking Brake Hand-Grip, alloy,leather	Red stitching	Black leather	TBC	1
02c	Parking Brake Hand-Grip, alloy,leather	Yellow stitching	Black leather	TBC	1
02d	Parking Brake Hand-Grip, alloy,leather	Silver stitching	Black leather	TBC	1
02e	Parking Brake Hand-Grip, alloy,leather		Ivory white leather	A132V0774S	1
02f	Parking Brake Hand-Grip, alloy,leather		Venom red leather	A132V0775S	1
02g	Parking Brake Hand-Grip, alloy,leather		Cognac brown leather	A132V0777S	1
02h	Parking Brake Hand-Grip, alloy	Black stitching	Suedetex	A132V0780S	1
02i	Parking Brake Hand-Grip, alloy	Red stitching	Suedetex	A132V0997S	1
02j	Parking Brake Hand-Grip, alloy	Yellow stitching	Suedetex	TBC	1
02k	Parking Brake Hand-Grip, alloy	Silver stitching	Suedetex	TBC	1
03	Cable, parking brake primary		Common	A120J0005H	1
04	Cable Assembly, parking brake, secondary	Includes equaliser		A138J0034F	1
05	'R' Clip			A075W6175F	1
06	Screw, M8 x 25, hex. hd., lever fixing			A075W1039Z	2
07	Washer, flat, M8 x 16 x 1.4, lever fixing			A075W4020Z	2

EXIGE

**Function Code 33.05 Parking Brake Mechanism**

<u>Dep</u>	<u>Part Description</u>	<u>Remarks</u>	<u>Option</u>	<u>Part Number</u>	<u>Qty</u>
08	Switch, parking brake tell-tale		Common	A116J6009H	1
09	Screw, M3 x 16, pan hd. pozi., switch fixing			A082W5110F	2
10	Nyloc Nut, M3, switch fixing			A079W3060F	2
11	Screw M6 x 12 hex flg, secondary cable			A132W5010F	2
12	Clevis Pin 8 x 16 mm			A111W6674F	1
13	Clevis Pin			A132J0236S	1
14	Clip, pin retention			A132J0237S	1
15	Tie wrap, cable to wishbone			A120A0202F	2
16	Foam, self adhesive, equaliser			A100B0431V	1
17	Parking Brake Assembly	TBC	Auto	A138J0122F	1
18	Foam, tank bay crossmember			A117A0191F	1
19	Screw M8 x 20 hex flg			A120W5278F	2
20	Parking Brake Assembly	TBC	Exige Sport 350 manual	A138J0134F	1
21	Grommet, cables	TBC	Exige Sport 350 manual & auto	A138J0135F	1
22	Screw M6 x 12 skt btn hd			A126W7226F	2





See 17.03

**EXIGE**

**34.01**

*Updated 4th February 2016*



# Service Parts List

# EXIGE



## Function Code 34.01 Wheels, Tyres & Valves

<u>Dep</u>	<u>Part Description</u>	<u>Remarks</u>	<u>Option</u>	<u>Part Number</u>	<u>Qty</u>
01	Wheel Front 7.5J x17 ET26.3, five Y spoke, cast diamond cut			A138G0001F	2
01a	Wheel Front 7.5J x17 ET26.3, five Y spoke, cast gloss black			A138G0019F	2
01b	Wheel Front 7.5J x17 ET26.3, five Y spoke, cast silver			A138G0020F	2
01c	Wheel Rear 9.5J x18 ET35, five Y spoke, cast diamond cut			A138G0002F	2
01d	Wheel Rear 9.5J x18 ET35, five Y spoke, cast gloss black			A138G0024F	2
01e	Wheel Rear 9.5J x18 ET35, five Y spoke, cast silver			A138G0052F	2
02	Winter Wheel Front 7.5J x17 ET30			A138G0007F	2
02a	Winter Wheel Rear 8J x18 ET15			A138G0008F	2
02b	Spare Wheel Front 7.5J x17 ET26.3 red		Gulf States	A138G0065F	1
03	Wheel Front 7.5J x17 ET26.3, ten spoke, forged satin black		A138G0112F R/B	B138G0112F	2
03a	Wheel Front 7.5J x17 ET26.3, ten spoke, forged HP silver			A138G0130F	2
03b	Wheel Rear 10J x18 ET35, ten spoke, forged satin black		A138G0113F R/B	B138G0113F	2
03c	Wheel Rear 10J x18 ET35, ten spoke, forged HP silver			A138G0131F	2
04	Tyre Front Pirelli Corsa 205 45 ZR17		With Sports Suspension	A138G0003F	2
04a	Tyre Rear Pirelli Corsa 265 35 ZR18		With Sports Suspension	A138G0004F	2
04b	Tyre Front Trofeo 205 45 R17 88Y		With Race Suspension	A138G0030F	2
04c	Tyre Rear Trofeo 265 35 R18 93Y		With Race Suspension	A138G0031F	2

EXIGE

**Function Code 34.01 Wheels, Tyres & Valves**

<u>Dep</u>	<u>Part Description</u>	<u>Remarks</u>	<u>Option</u>	<u>Part Number</u>	<u>Qty</u>
04d	Tyre Front Michelin CUP2 215 45 R17 88Y	Not for Gulf States	Exige Sport 380	A138G0120F	1
04e	Tyre rear Michelin CUP2 265 35 R18 88Y	Not for Gulf States	Exige Sport 380	A138G0121F	1
04f	Tyre Winter Front Pirelli 205 45 R17	Not illustrated		A138G0006F	2
04g	Tyre Winter Rear Pirelli 235 40 R18	Not illustrated		A138G0005F	2
04h	Spare Tyre Front 205 50 R17	Not illustrated	Gulf States	A138G0064F	1
05	Wheel Bolt, socket hd, 53.5mm long			A132G6002F	20
05a	Wheel Bolt, socket hd, 57mm long			A132G6012F	20
06	Tyre Weld, repair canister			A132G6000F	1
07	Terry Clip, canister retaining			A132U6085F	1
08	Pop Rivet, clip to bootbox			A085W6259F	2
09	Security Wheelbolt Kit	Incl. ID strip & instruction card*		A132G0047F	1
10	Adaptor, wheel bolt			A117G0036F	1
11	Tyre Valve/TPMS Transmitter	Does not include item 12	Exige S	A121G6000F	4
12	Nut, conical seal, TPMS transmitter			A121G6001H	4
13	Tyre Valve		Non-TPMS	A117G6007H	4
14	Spacer Hub, spare wheel rear		Gulf States	A138G0067F	1
15	Screw M12 x 30 hex flg hd		Gulf States	A138W7000F	5
16	Puncture Repair Kit		Gulf States	A120G6005F	1
17	Wheel Centre Cover, Lotus logo			A132G0174F	4
18	Transmitter Assembly 434mhz			A132G6017F	4
18a	Transmitter Assembly 315mhz		Japan	A132G6018F	4



---

**Function Code 34.01 Wheels, Tyres & Valves**

<u>Dep</u>	<u>Part Description</u>	<u>Remarks</u>	<u>Option</u>	<u>Part Number</u>	<u>Qty</u>
19	Valve Stem Assembly			A132G6016F	4
		* For replacement keys contact Aftersales, quoting ID			

---



A138G0019F 7.5 x 17  
A138G0024F 9.5 x 18  
Gloss Black



A138G0020F 7.5 x 17  
A138G0052F 9.5 x 18  
Silver



A138G0001F 7.5 x 17  
A138G0002F 9.5 x 18  
Gloss Black  
Diamond Cut



A138G0068F 7.5 x 17  
A138G0069F 9.5 x 18  
Gold



A702G0001F 7.5 x 17  
A702G0002F 9.5 x 18  
Satin Black (Cup Car)



A702G0009F 7.5 x 17  
A702G0010F 9.5 x 18  
Metallic Red (Cup Car)



A138G0065F 7.5 x 17  
Red (GCC Spare)



A138G0007F 7.5 x 17  
A138G0008F 8.0 x 18  
(Winter)



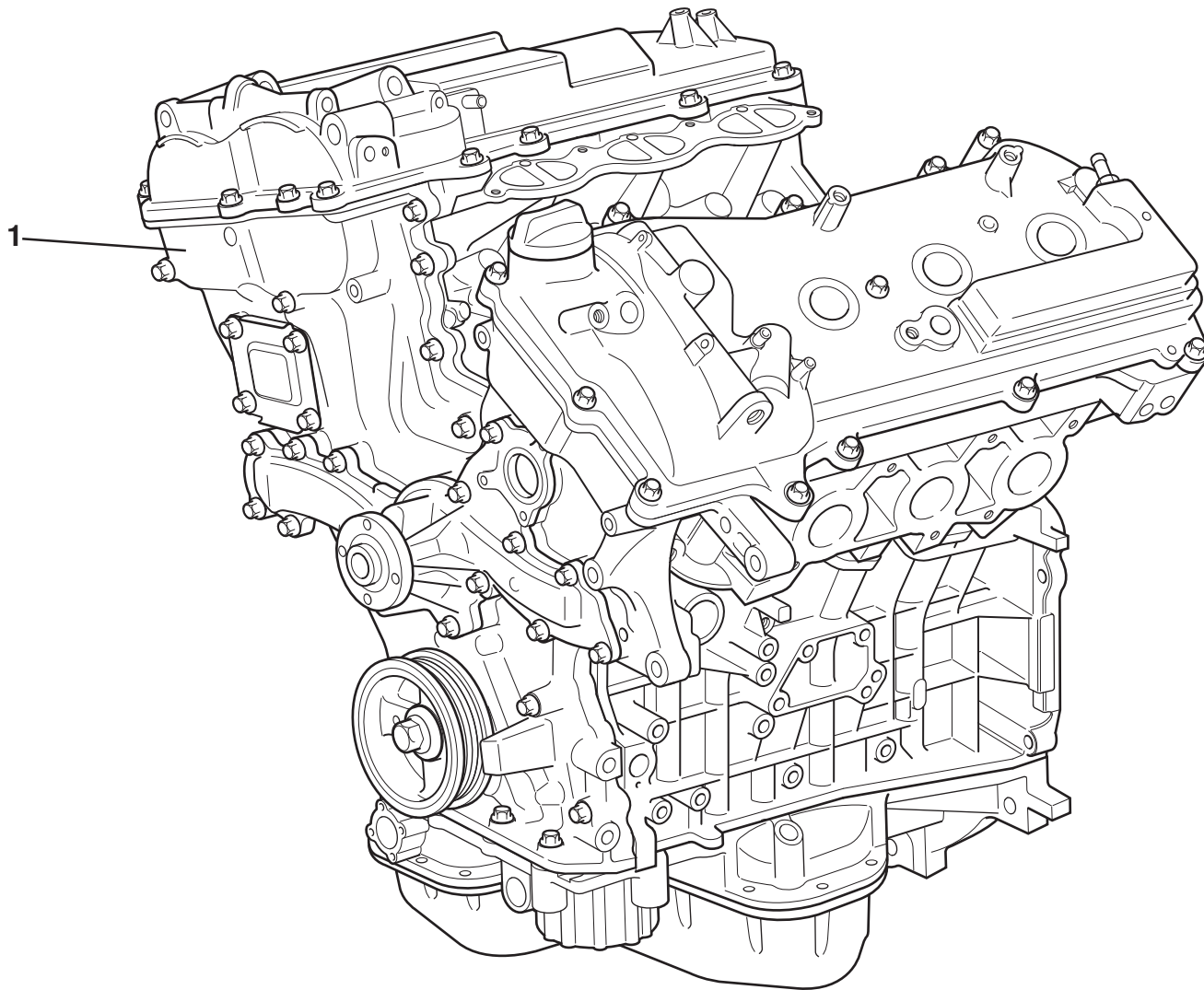
A138G0112F 7.5 x 17  
A138G0113F 10 x 18  
Satin Black



A138G0130F 7.5 x 17  
A138G0131F 10 x 18  
HP Silver



A138G0156F 7.5 x 17  
A138G0157F 10 x 18  
Metallic Red (Cup Car)



**EXIGE**

**40.00**

# Service Parts List

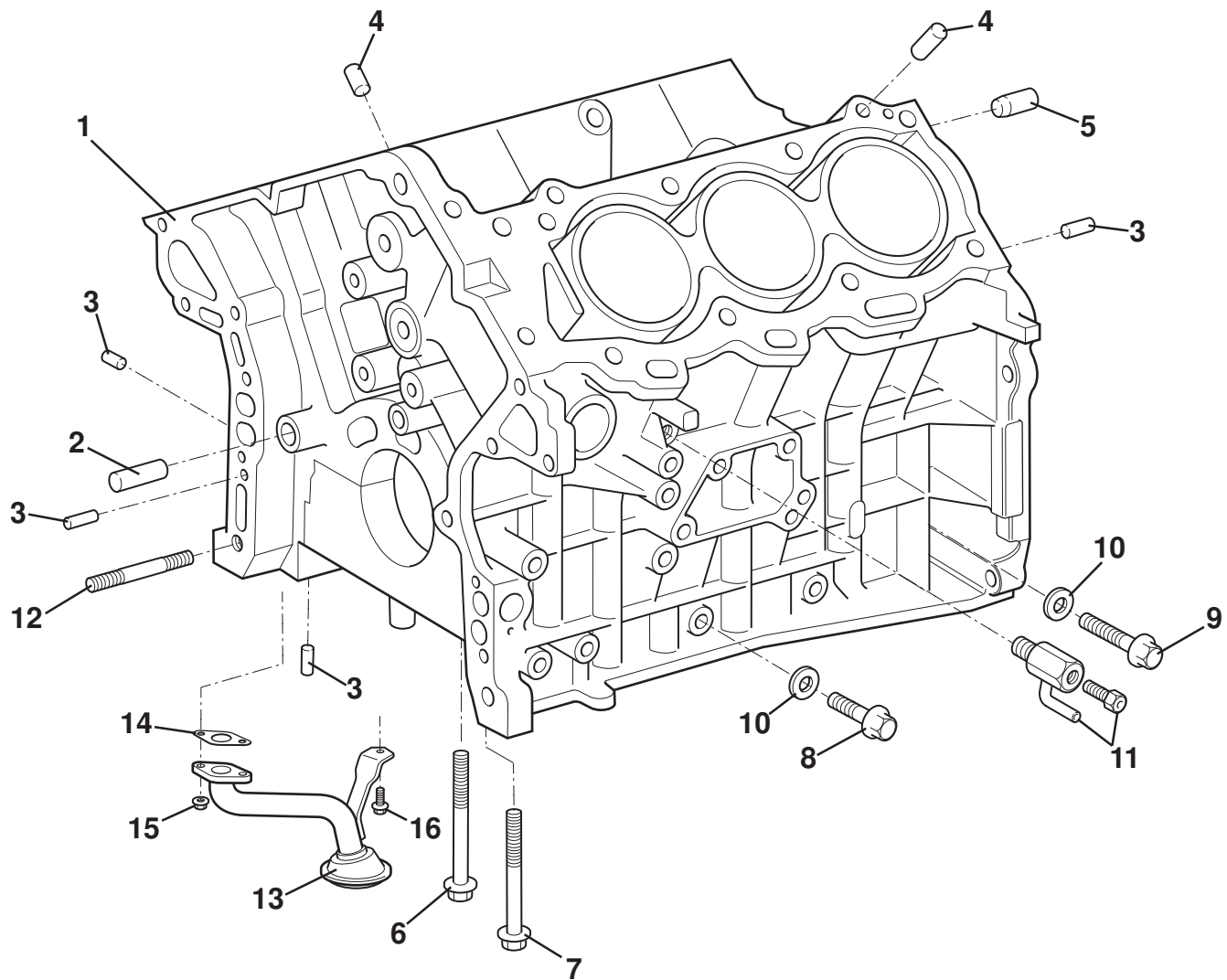
*EXIGE*



## Function Code 40.00 Engine Assemblies

<u>Dep</u>	<u>Part Description</u>	<u>Remarks</u>	<u>Option</u>	<u>Part Number</u>	<u>Qty</u>
01	Engine Assembly, 2GR-FE	Complete		A132E6398XSM	1
01a	Engine Short Block Assembly			A132E6098S	1

*EXIGE*

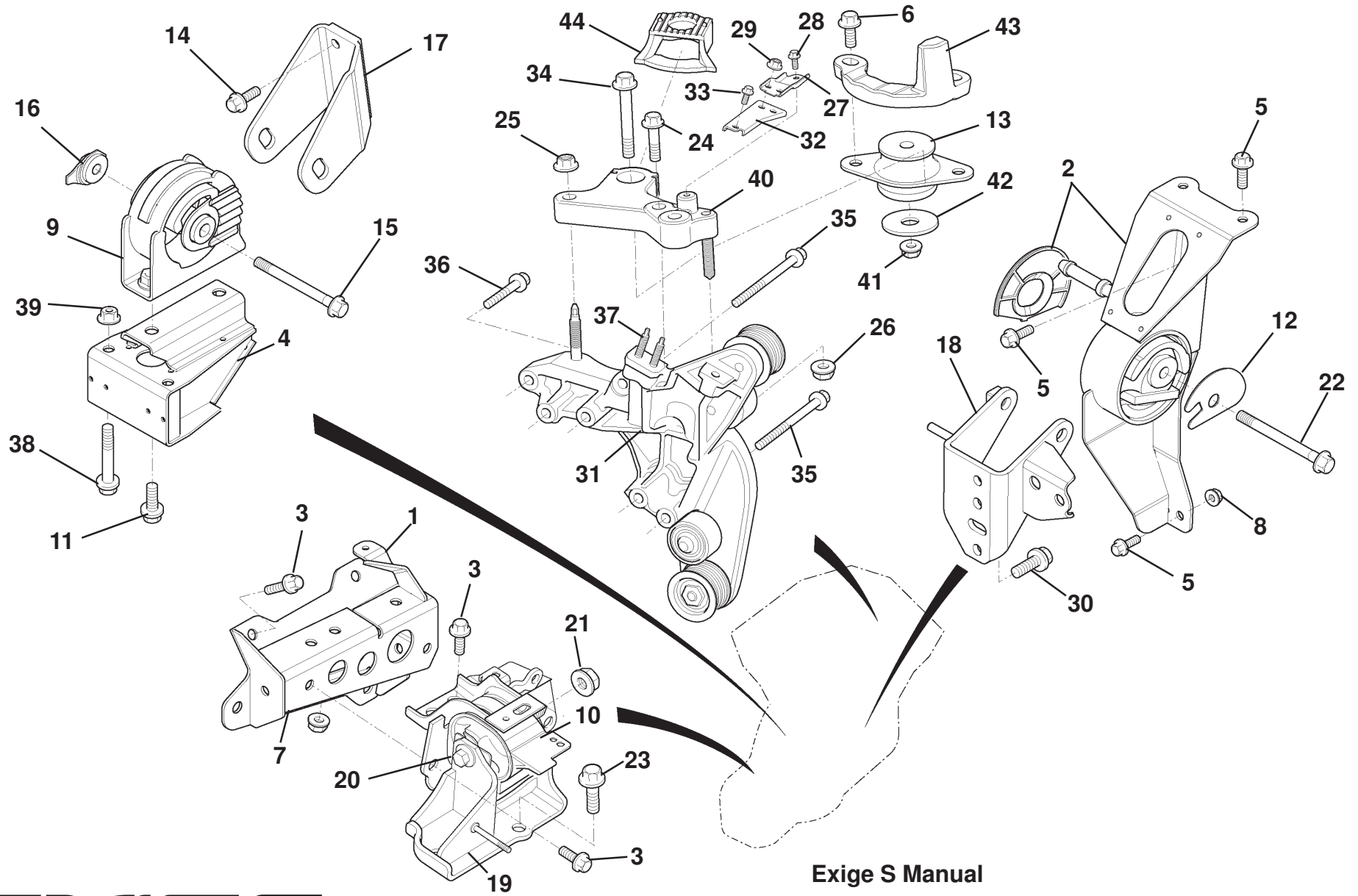


**EXIGE**  
40.01

**Function Code 40.01 Engine Block & Oil Pick up**

<u>Dep</u>	<u>Part Description</u>	<u>Remarks</u>	<u>Option</u>	<u>Part Number</u>	<u>Qty</u>
01	Cylinder Block Assembly			A132E6144S	1
02	Dowell Pin, block to idler bracket			A132E6157S	1
03	Dowell Pin, block - sump. engine mount, F/R covers			A132E6155S	8
04	Dowell Pin, block to cylinder heads			A132E6156S	4
05	Dowell, block to end plate			A132E6158S	2
06	Bolt, bearing cap, inner			A132E6147S	8
07	Bolt, main bearing cap, outer			A132E6146S	8
08	Bolt, main bearing cap cross retention	Front and centre pair of caps		A132E6148S	6
09	Bolt, main bearing cap cross retention, rear	Rear cap		A132E6149S	2
10	Sealing Washer, cross-bolts			A132E6154S	4
11	Drain Cock Assembly	Includes screw		A132E6159S	2
11a	Plug screw, drain cock			A120E6441S	2
12	Stud, block to front cover			A132E6152S	2
13	Oil Pick-up Pipe Assembly			A132E6420S	1
14	Gasket, pick-up pipe	Also see 40.02a		A132E6234S	1
15	Nut, flg, pipe to front cover			A132E6473S	2
16	Screw, hex. flg. hd., pipe retention			A132E6173S	1



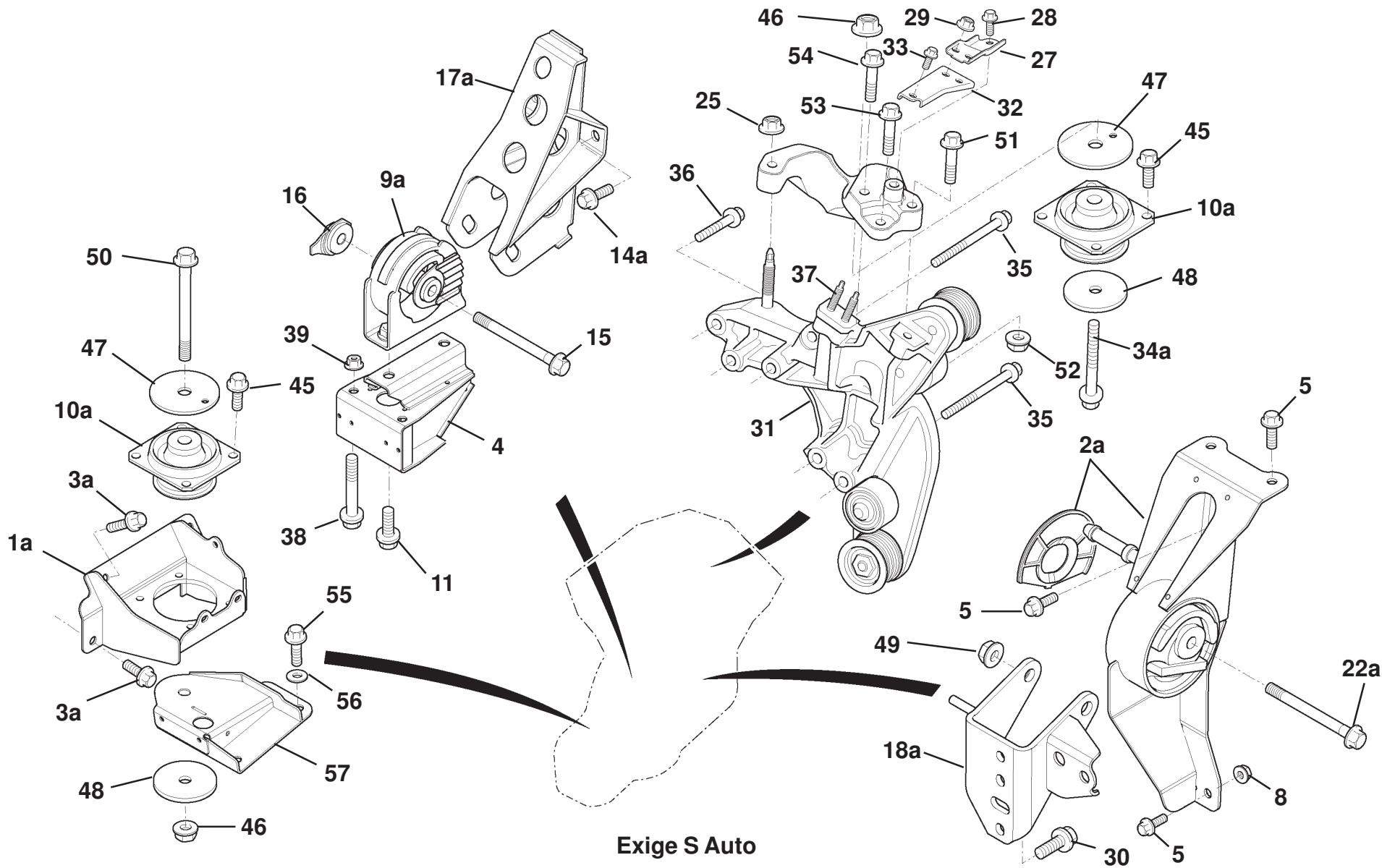


Exige S Manual

**EXIGE**

40.01a page 1

Updated 4th February 2016



Exige S Auto



# Service Parts List

# EXIGE



## Function Code 40.01a Engine Mounts

<u>Dep</u>	<u>Part Description</u>	<u>Remarks</u>	<u>Option</u>	<u>Part Number</u>	<u>Qty</u>
01	Bracket, insulator to subframe LH		Manual Exige S	B138A0016F	1
01a	Frame Assembly, Insulator		Auto Exige S, Man & Auto Exige Sport 350	A138A0193F	1
02	Insulator/Bracket Assembly, engine mount rear	To be confirmed	Manual	A138F0024J	1
02a	Insulator/Bracket Assembly, engine mount rear	To be confirmed	Auto	A138A0187J	1
03	Screw, M10 x 25, hex. flg. hd., bracket to subframe		Manual	A132W5008F	9
03a	Screw, M10 x 20, hex. flg. hd., bracket to subframe		Auto	A132W5007F	4
04	Engine Mount Assembly, front			A138A0022F	1
05	Screw, M8 x 20, hex. flg. hd., bracket to subframe			A132W5005F	5
06	Bolt, M10 x 30, hex. flg. hd., insulator to subframe			A132W2004F	2
07	Nut, M10, flg., insulator fixing			A132W3005F	3
08	Nut, M8, flg., bracket to subframe			A132W3006F	2
09	Insulator Assembly, engine mount front		Manual	A132F0226J	1
09a	Insulator Assembly, engine mount front		Auto	B132F0042J	1
10	Insulator Assembly, engine mount LH		Manual	B132F0043J	1
10a	Insulator	To be confirmed	Auto	A132A0566F	1
11	Bolt, M12 x 30, hex. flg. hd., insulator to subframe			A132W2016F	2
12	Plate, bumper retaining, rear mount			A132F0045F	1
13	Insulator, engine mount, RH			A138E6005F	1

EXIGE

**Function Code 40.01a Engine Mounts**

<u>Dep</u>	<u>Part Description</u>	<u>Remarks</u>	<u>Option</u>	<u>Part Number</u>	<u>Qty</u>
14	Bolt, hex. flg. hd., bracket to transmission		Manual	A120E6412S	4
14a	Bolt M10 x 23, hex. flg. hd., bracket to transmission		Auto	A120E6395S	3
15	Bolt, hex. flg. hd., bracket to insulator front			A132E6361S	1
16	Nut, special, bracket to insulator front			A132E6372S	1
17	Bracket, insulator to transmission, front		Manual	C132F0030F	1
17a	Bracket, insulator to transmission, front		Auto	B132F0065F	1
18	Bracket, insulator to transmission, rear		Manual	A132E6305S	1
18a	Bracket, insulator to transmission, rear		Auto	A132F0064F	1
19	Bracket, isolator to transmission LH			A132E6306S	1
20	Bolt, hex. flg. hd., bracket to insulator LH			A132F6016H	1
21	Nut, flg., bracket to insulator LH			A132F6017H	1
22	Bolt, hex. flg. hd., bracket to insulator rear		Manual	A132E6359S	1
22a	Bolt, hex. flg. hd., bracket to insulator rear	To be confirmed	Auto	A132F6270F	1
23	Bolt, hex. flg. hd., bracket to transmission			A120E6495S	3
24	Bolt, hex. flg. hd., insulator to engine			A132E6388S	2
25	Nut M12, flg., insulator to engine	To engine stud		A132E6060H	1
26	Nut, flg., insulator to engine	To insulator stud		A120E6395S	1
27	Stay, bracket assy to bracket engine mounting			A132E6307S	1
28	Bolt M8 x 23, hex. flg. hd w/washer., stay to insulator			A132E6056H	1
29	Nut, M8, flg., stay to bracket engine mounting			A132E6059H	2
30	Bolt M10 x 25, hex. flg. hd., bracket to transmission			A132F6014H	4



**Function Code 40.01a Engine Mounts**

<u>Dep</u>	<u>Part Description</u>	<u>Remarks</u>	<u>Option</u>	<u>Part Number</u>	<u>Qty</u>
31	Bracket Assembly, engine idler mounting	Also see 41.03	Exige S	A138E6000F	1
31a	Bracket Assembly, engine idler mounting	Also see 41.03	Exige Sport 350	A138E0049F	1
32	Stay, bracket engine mounting to inlet manifold			A132E6186S	1
33	Bolt, hex. flg. hd. bracket, engine mounting			A132E6191S	1
34	Bolt M10 x 80, insulator to subframe		Manual Exige S	A138W2011F	1
34a	Bolt M10 x 90, insulator to subframe		Auto Exige S, Man & Auto Exige Sport 350	A126W2226F	1
35	Bolt, hex. flg. hd.bracket, engine mounting			A132E6188S	4
36	Bolt, hex. flg. hd.bracket, engine mounting			A120E6394S	2
37	Stud. engine stay			A132E6189S	2
38	Bolt M10 x100 hex flange, frt engine mount			A116W5235F	2
39	Nut, M10, flg., frt engine mount			A132W3005F	2
40	Bracket Insulator RH			A138E0020K	1
41	Nut M10, insulator to subframe			B111W3151F	1
42	Washer Flat M10 x 50 x 3, insulator to subframe			A138E6006F	1
43	Snubber, engine mount RH	To be confirmed		A138E0039F	1
44	Insulator, engine mount snubber RH	To be confirmed		A138E6009F	1
45	Screw, M8 x 20, hex. flg. hd.,		Auto Exige S, Man & Auto Exige Sport 350	A132W5005F	8
46	Nut, M12, flg,		Auto Exige S, Man & Auto Exige Sport 350	A132W3010F	2

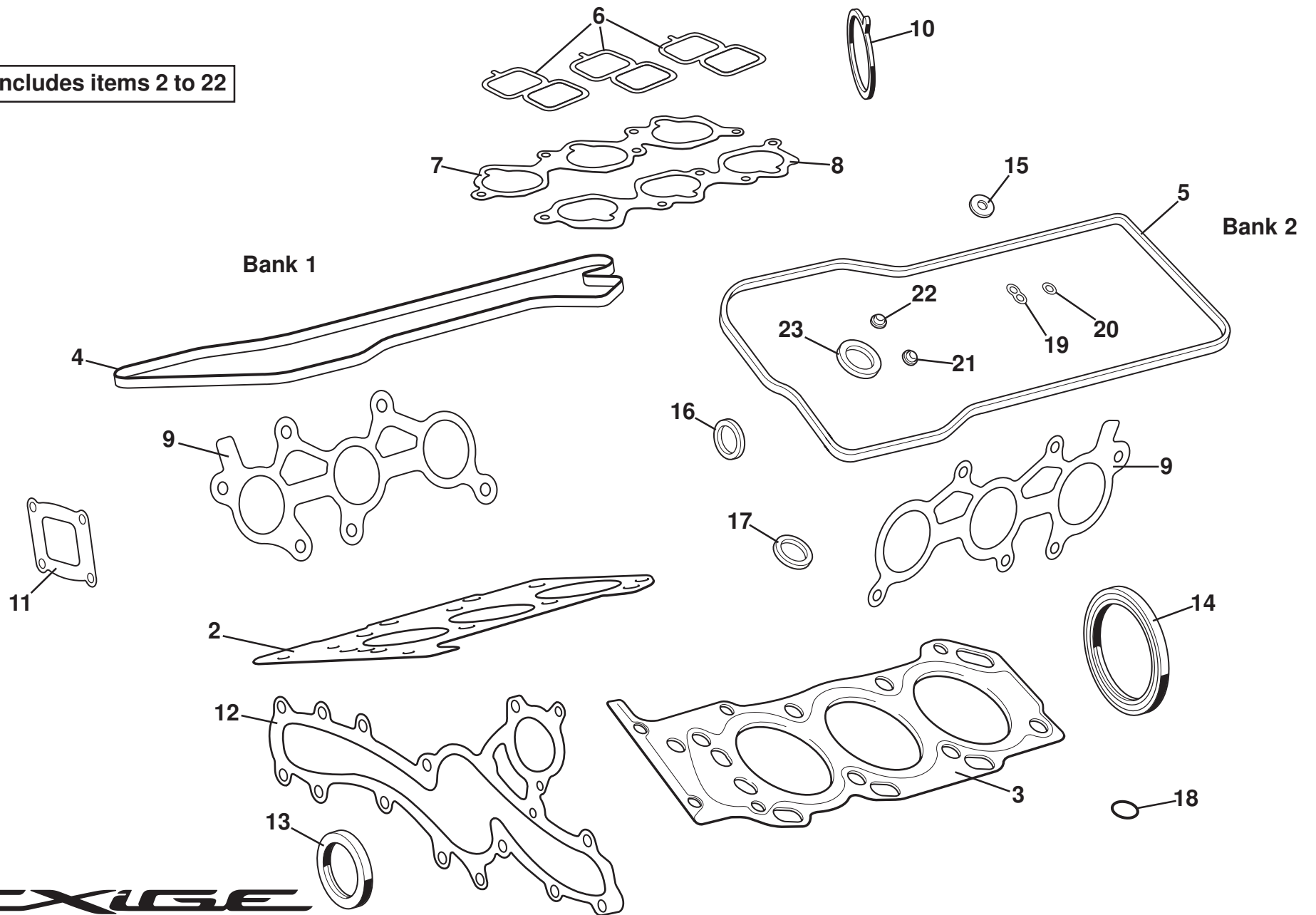


**Function Code 40.01a Engine Mounts**

<u>Dep</u>	<u>Part Description</u>	<u>Remarks</u>	<u>Option</u>	<u>Part Number</u>	<u>Qty</u>
47	Washer 80mm dia	To be confirmed	Auto Exige S, Man & Auto Exige Sport 350	<b>A132A0567F</b>	2
48	Washer 65mm dia	To be confirmed	Auto Exige S, Man & Auto Exige Sport 350	<b>A132A0655F</b>	2
49	Nut, M12, flg,		Auto Exige S, Man & Auto Exige Sport 350	<b>A132E6372S</b>	1
50	Bolt, M12 x 85, hex. flg. hd.,		Auto Exige S, Man & Auto Exige Sport 350	<b>A132W2040F</b>	1
51	Bolt, M10 x 60, hex. flg. hd.,		Auto Exige S, Man & Auto Exige Sport 350	<b>A132E6381S</b>	1
52	Nut, M10, flg,		Auto Exige S, Man & Auto Exige Sport 350	<b>A120E6325S</b>	1
53	Bolt, M12 x 40, hex. flg. hd.,		Auto Exige S, Man & Auto Exige Sport 350	<b>A132E6024H</b>	1
54	Bolt, M12 x 55, hex. flg. hd.,		Auto Exige S, Man & Auto Exige Sport 350	<b>A132E6388S</b>	1
55	Bolt, M10 x 27, hex. flg. hd.,		Auto Exige S, Man & Auto Exige Sport 350	<b>A120E6495S</b>	4
56	Washer M10 x21 x 2 s/s blk		Auto Exige S, Man & Auto Exige Sport 350	<b>B111W4163F</b>	
57	Bracket Assembly, trans mount		Auto Exige S & Exige Sport 350	<b>B132A0551F</b>	1
57a	Bracket Assembly, trans mount		Manual Exige Sport 350	<b>A138A0564F</b>	1
58	Bolt M10 x 32		Manual Exige Sport 350	<b>A132E6062F</b>	2



1 includes items 2 to 22



**EXIGE**  
40.02

*Updated 1st September 2014*



# Service Parts List

# EXIGE



## Function Code 40.02 Gaskets & Sealants, Top Overhaul Set

<u>Dep</u>	<u>Part Description</u>	<u>Remarks</u>	<u>Option</u>	<u>Part Number</u>	<u>Qty</u>
01	Gasket Set, top overhaul	Includes items 2 to 22		A132E6100S	1
02	Gasket, cylinder head, RH	Also see 40.05		A132E6429S	1
03	Gasket, cylinder head, LH	Also see 40.05		A132E6430S	1
04	Gasket, cam cover, RH	Also see 40.07		A132E6126S	1
05	Gasket, cam cover, LH	Also see 40.07		A132E6134S	1
06	Gasket, intake plenum to inlet manifold	Also see 42.07		A132E6453S	3
07	Gasket, inlet manifold, LH	Also see 42.07		A132E6276S	1
08	Gasket, inlet manifold, RH	Also see 42.07		A132E6275S	1
09	Gasket, exhaust manifold	Also see 40.21		A132E6318S	2
10	Gasket, throttle body to intake plenum	Also see 42.04, 42.07		A132E6454S	1
11	Gasket, plate to cover	Also see 40.08		A132E6433S	1
12	Gasket, water pump	Also see 40.13		A132E6452S	1
13	Oil Seal, crankshaft front	Also see 40.11		A132E6308S	1
14	Oil Seal, crankshaft rear	Also see 40.11		A132E6162S	1
15	Washer, sealing, bolt no. 4, camshaft cover, centre	Also see 40.07		A132E6129S	2
16	Gasket, plug sealing	Also see 40.05		A132E6108S	2
17	Gasket, plug sealing	Also see 40.05		A132E6107S	2
18	'O' Ring, guide tube to lower guide tube	Also see 40.15		A120E6281S	1

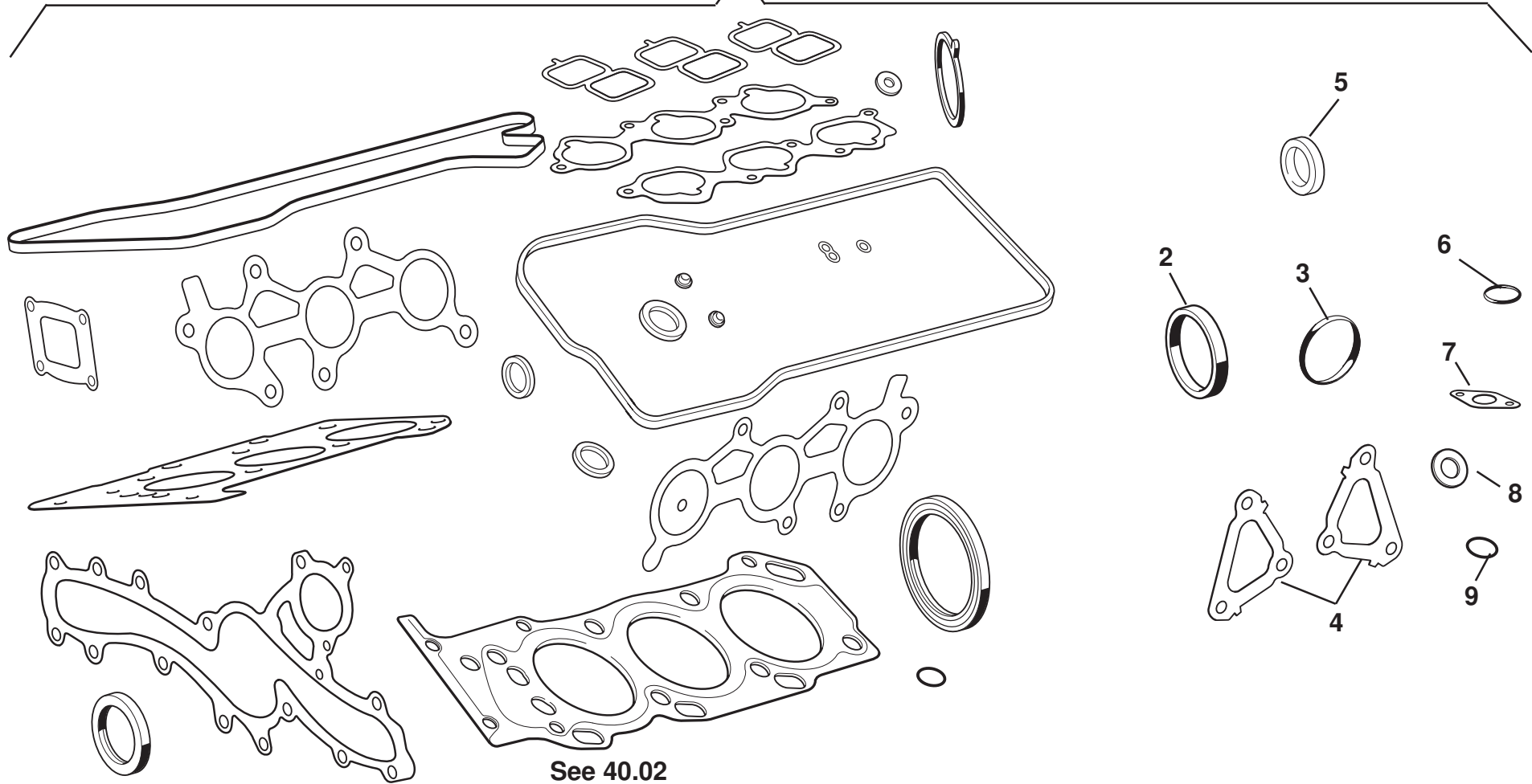
EXIGE

---

**Function Code 40.02 Gaskets & Sealants, Top Overhaul Set**

<u>Dep</u>	<u>Part Description</u>	<u>Remarks</u>	<u>Option</u>	<u>Part Number</u>	<u>Qty</u>
19	Gasket, camshaft bearing cap cover	Also see 40.05		<b>A132E6124S</b>	2
20	Gasket, camshaft bearing cap	Also see 40.05		<b>A132E6130S</b>	6
21	Oil Seal, valve stem, exhaust	Also see 40.05		<b>A132E6229S</b>	12
22	Oil Seal, valve stem, inlet	Also see 40.05		<b>A132E6464S</b>	12
23	Gasket, spark plug tube	Not P/O gasket set, see 40.05		<b>A132E6431S</b>	6

1 Includes items shown, plus items 2 to 22 in section 40.02



See 40.02

**EXIGE**  
40.02a

*Updated 3rd November 2014*

# Service Parts List

# EXIGE

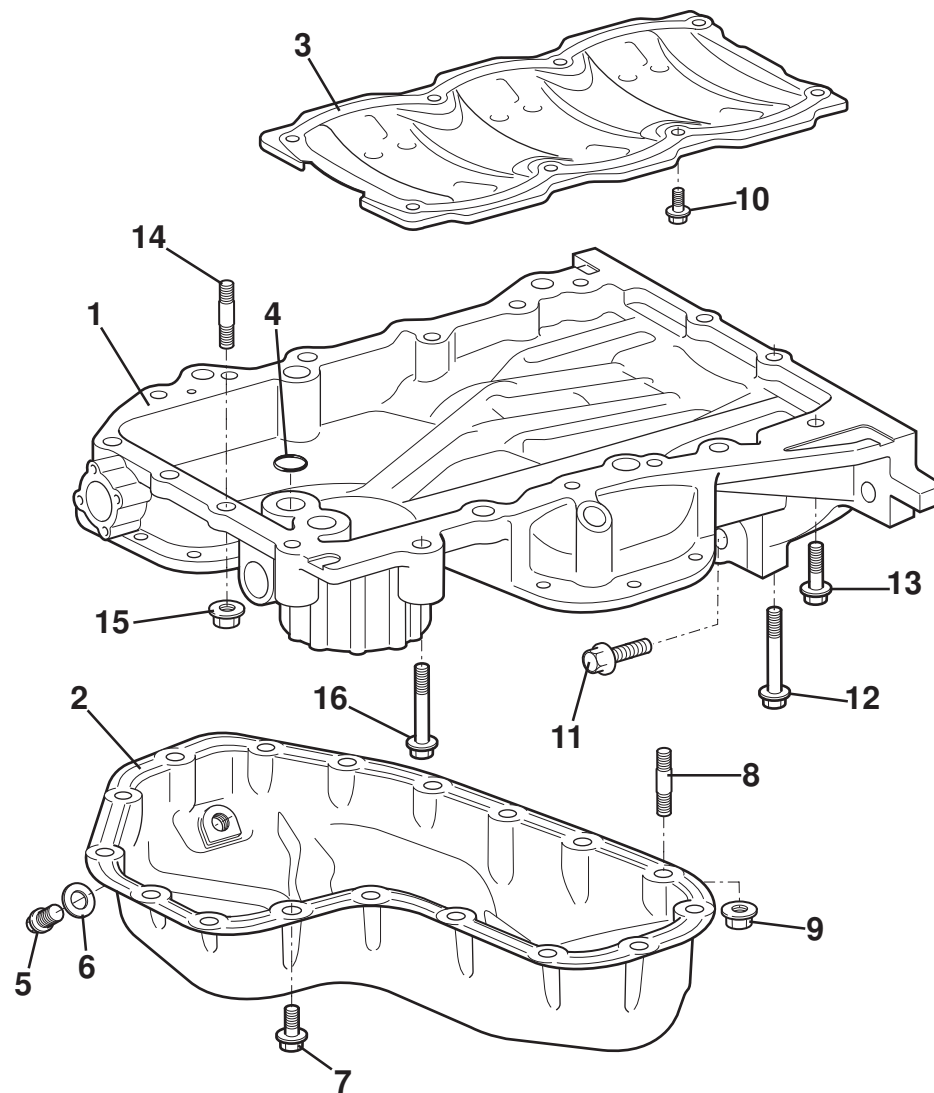


## Function Code 40.02a Gaskets & Sealants, Bottom Overhaul Set

<u>Dep</u>	<u>Part Description</u>	<u>Remarks</u>	<u>Option</u>	<u>Part Number</u>	<u>Qty</u>
01	Gasket Set, engine overhaul*	Includes items 2 to 11		A132E6099S	1
02	Gasket Ring, thermostat	Also see 40.13		A132E6253S	1
03	'O' Ring, special, by-pass water inlet housing	Also see 46.01		A132E6252S	1
04	Gasket, water outlet	Also see 46.01		A132E6259S	2
05	Gasket, oil pump	Also see 40.15		A132E6137S	1
06	'O' Ring, sump upper to block	Also see 40.03		A132E6171S	2
07	Gasket, oil pick-up pipe	Also see 40.01		A132E6234S	1
08	Gasket, sump plug	Also see 40.03		A120E6461S	1
09	'O' Ring, lower guide tube to block	Also see 40.15		A132E6165S	1

\* Also items 2 to 22 in section  
40.02

EXIGE



**EXIGE**

40.03

# Service Parts List

# EXIGE



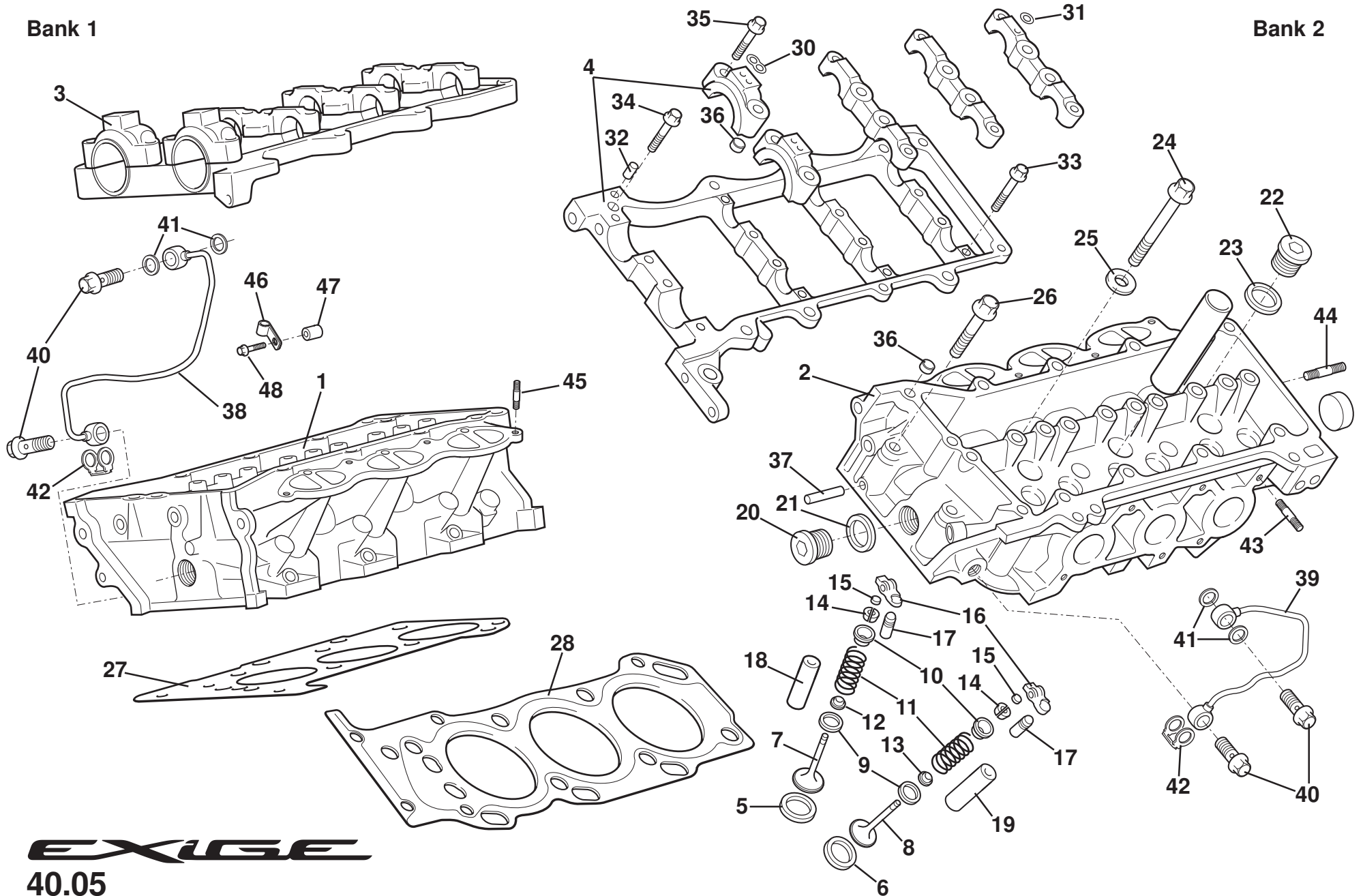
## Function Code 40.03 Sump Assembly

<u>Dep</u>	<u>Part Description</u>	<u>Remarks</u>	<u>Option</u>	<u>Part Number</u>	<u>Qty</u>
01	Sump Assembly, upper			A132E6168S	1
02	Sump Assembly, lower			A132E6169S	1
03	Baffle, sump			A132E6170S	1
04	'O' Ring, sump upper to block			A132E6171S	2
05	Sump Plug			A132E6175S	1
06	Gasket, sump plug			A120E6461S	1
07	Bolt, flg. hd., lower to upper sump			A132E6456S	16
08	Stud, upper to lower sump			A132E6174S	2
09	Nut, flange, lower to upper sump			A132E6458S	2
10	Bolt/Washer, baffle retention			A132E6173S	8
11	Bolt, flg. hd., lupper sump			A132E6479S	2
12	Bolt, flg. hd., upper sump			A132E6466S	2
13	Bolt, flg. hd., upper sump			A132E6466S	2
14	Stud, lupper sump			A132E6116S	2
15	Nut, flange, upper sump			A132E6474S	2
16	Bolt, flg. hd., upper sump			A132E6178S	2

EXIGE

Bank 1

Bank 2



**EXIGE**  
40.05

*Updated 1st September 2014*

# Service Parts List

# EXIGE



## Function Code 40.05 Cylinder Head , Valves, Springs

<u>Dep</u>	<u>Part Description</u>	<u>Remarks</u>	<u>Option</u>	<u>Part Number</u>	<u>Qty</u>
01	Cylinder Head Assembly, RH	Up to engine no. J949034		A132E6101S	1
02	Cylinder Head Assembly, LH	Up to engine no. J949034		A132E6110S	1
03	Camshaft Housing, RH	Includes bearing caps		A132E6111S	1
04	Camshaft Housing, LH	Includes bearing caps		A132E6114S	1
05	Valve Seat, inlet			A132E6102S	12
05a	Valve Seat, inlet, oversize 0.03			A132E6406S	12
06	Valve Seat, exhaust			A132E6103S	12
06a	Valve Seat, exhaust, oversize 0.03			A132E6407S	12
07	Inlet Valve			A132E6223S	12
08	Exhaust Valve			A132E6224S	12
09	Seat, valve spring			A132E6225S	24
10	Retainer, valve spring	Up to engine no. J949034		A132E6226S	24
11	Valve Spring	Up to engine no. J949034		A132E6227S	24
12	Oil Seal, valve stem, inlet			A132E6464S	12
13	Oil Seal, valve stem, exhaust			A132E6229S	12
14	Valve Collet			A131E6212S	48
15	Cap, valve stem			A132E6231S	24
16	Rocker Arm, valve actuating	Up to engine no. J949034		A132E6449S	24

EXIGE



**Function Code 40.05 Cylinder Head , Valves, Springs**

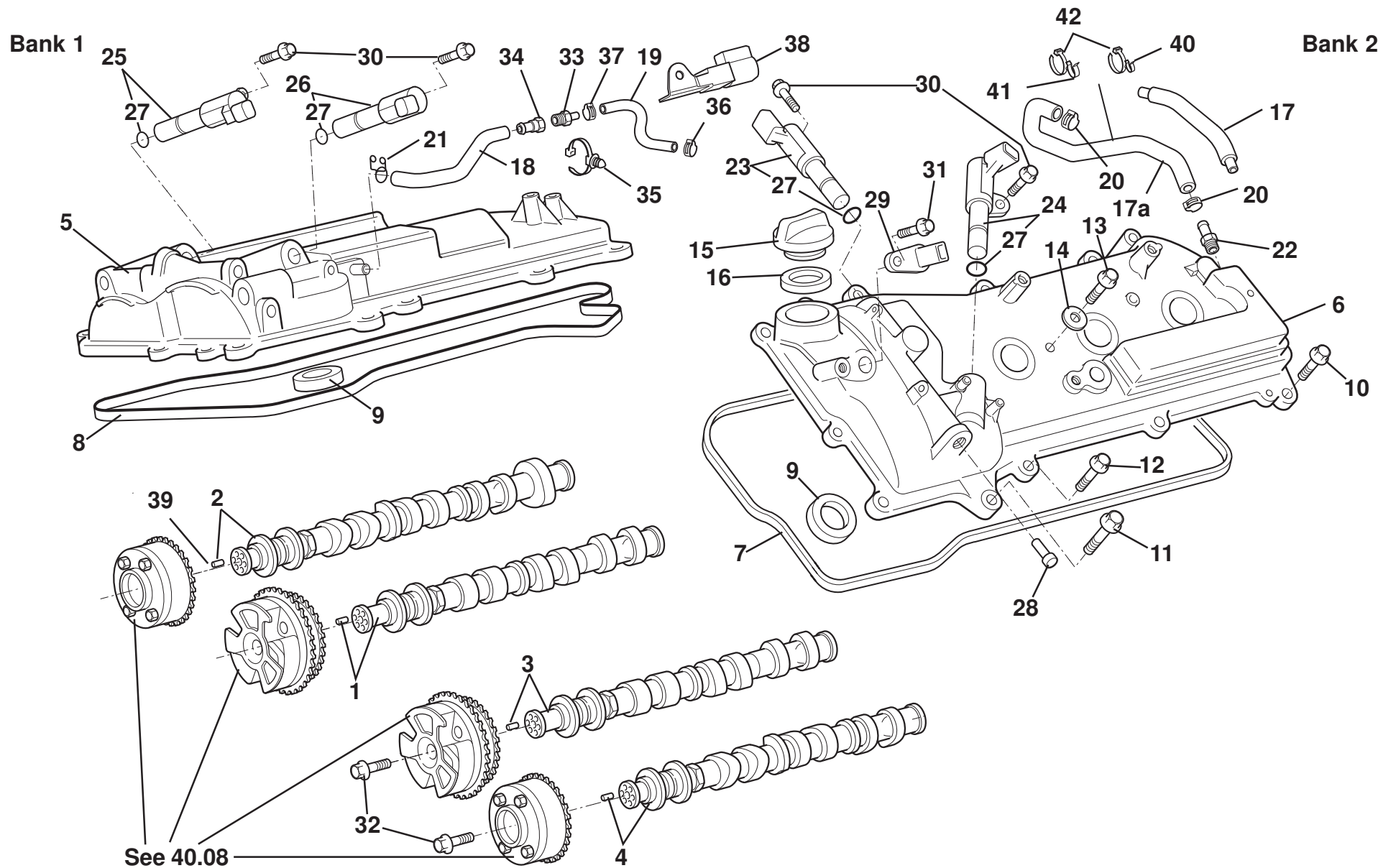
<u>Dep</u>	<u>Part Description</u>	<u>Remarks</u>	<u>Option</u>	<u>Part Number</u>	<u>Qty</u>
17	Adjuster Assembly, valve clearance			A132E6232S	24
18	Valve Guide, inlet, std size			A132E6402S	12
18a	Valve Guide, exhaust, + 0.05mm			A132E6405S	12
19	Valve Guide, exhaust, standard			A132E6404S	12
19a	Valve Guide, inlet, O/S 0.05			A132E6403S	12
20	Plug, straight screw plug, no.2, cyl.head front			A132E6105S	2
21	Gasket, straight screw plug no.2, cyl. head front			A132E6108S	2
22	Plug, straight screw plug, no.1, cyl. head upper			A132E6104S	4
23	Gasket, straight screw plug, no.1, cyl. head upper			A132E6107S	4
24	Bolt, hex. flg. hd., head to block			A132E6123S	16
25	Washer, head to block			A132E6122S	16
26	Bolt, hex. flg. hd., head to block, front LH bank			A132E6121S	2
27	Gasket, cylinder head, RH	Also see 40.02		A132E6119S	1
28	Gasket, cylinder head, LH	Also see 40.02		A132E6120S	1
30	Gasket, camshaft bearing cap oil hole			A132E6124S	4
31	'O' Ring special, camshaft housing			A132E6130S	2
32	Dowel Pin, no.1, camshaft housing			A120F6033S	3
33	Bolt, hex. flg. hd., no. 1, camshaft housing to head			A132E6113S	18
34	Bolt, hex. flg. hd., no. 2, camshaft housing to head			A132E6112S	7
35	Bolt, hex. flg. hd., camshaft bearing cap to housing			A132E6457S	16
36	Pin, ring w/head			A132E6118S	4



---

**Function Code 40.05 Cylinder Head , Valves, Springs**

<u>Dep</u>	<u>Part Description</u>	<u>Remarks</u>	<u>Option</u>	<u>Part Number</u>	<u>Qty</u>
37	Dowel Pin, cylinder head			A132E6459S	4
38	Oil Feed Pipe			A132E0102F	1
39	Oil Pipe No. 1, oil control valve, LH			A132E6241S	1
40	Banjo Bolt, oil pipe			A132E6242S	4
41	Gasket, union bolt, oil pipe, upper			A132E6243S	4
42	Gasket, union bolt, oil pipe, lower			A132E6244S	2
43	Stud, exhaust manifold to head	Also see 40.21		A132E6117S	8
44	Stud, water outlet to head			A132E6115S	4
45	Stud, inlet manifold to head	Also see 42.07		A132E6116S	12
46	'P' Clip, oil feed pipe			A132E0134F	1
47	Pillar, oil feed pipe			A132E0135F	1
48	Screw M6 x 30 hex flg, oil feed pipe			A124W5294F	1



**EXIGE**

40.07

*Updated 1st July 2015*

# Service Parts List

# EXIGE



## Function Code 40.07 Camshafts, Tappets, Cam Cover

<u>Dep</u>	<u>Part Description</u>	<u>Remarks</u>	<u>Option</u>	<u>Part Number</u>	<u>Qty</u>
01	Camshaft, no. 1, inlet, RH	Includes dowel pin		A132E6200S	1
02	Camshaft, no. 2, exhaust, RH	Includes dowel pin		A132E6201S	1
03	Camshaft, no. 3, inlet, LH	Includes dowel pin		A132E6203S	1
04	Camshaft, no. 4, exhaust, LH	Includes dowel pin		A132E6204S	1
05	Camshaft cover, LH	With spark plug tube gaskets, also replace valve with item 22		A132E6133S	1
06	Camshaft cover, RH	With spark plug tube gaskets		A132E6125S	1
07	Gasket, cam cover, LH	Also see 40.02		A132E6134S	1
08	Gasket, cam cover, RH	Also see 40.02		A132E6126S	1
09	Gasket, spark plug tube	Also see 40.02		A132E6431S	6
10	Bolt, hex. flg. hd., no. 1, camshaft cover			A132E6127S	17
11	Bolt, hex. flg. hd.no. 2, camshaft cover			A132E6128S	3
12	Bolt, hex. flg. hd.no. 3, camshaft cover			A132E6132S	2
13	Bolt, hex. flg. hd.no. 4, camshaft cover, centre			A132E6131S	2
14	Washer, sealing, bolt no. 4, camshaft cover, centre			A132E6129S	2
15	Oil Filler Cap, with gasket			A132E6476S	1
16	Gasket, oil filler cap	P/O item 15		A132E6463S	1
17	Hose, ventilation No. 1, LH bank to intake hose			A132E6302S	
17a	Hose, ventilation No. 1, LH bank to intake hose	Routes under intake tube		A138E0040F	1

EXIGE

**Function Code 40.07 Camshafts, Tappets, Cam Cover**

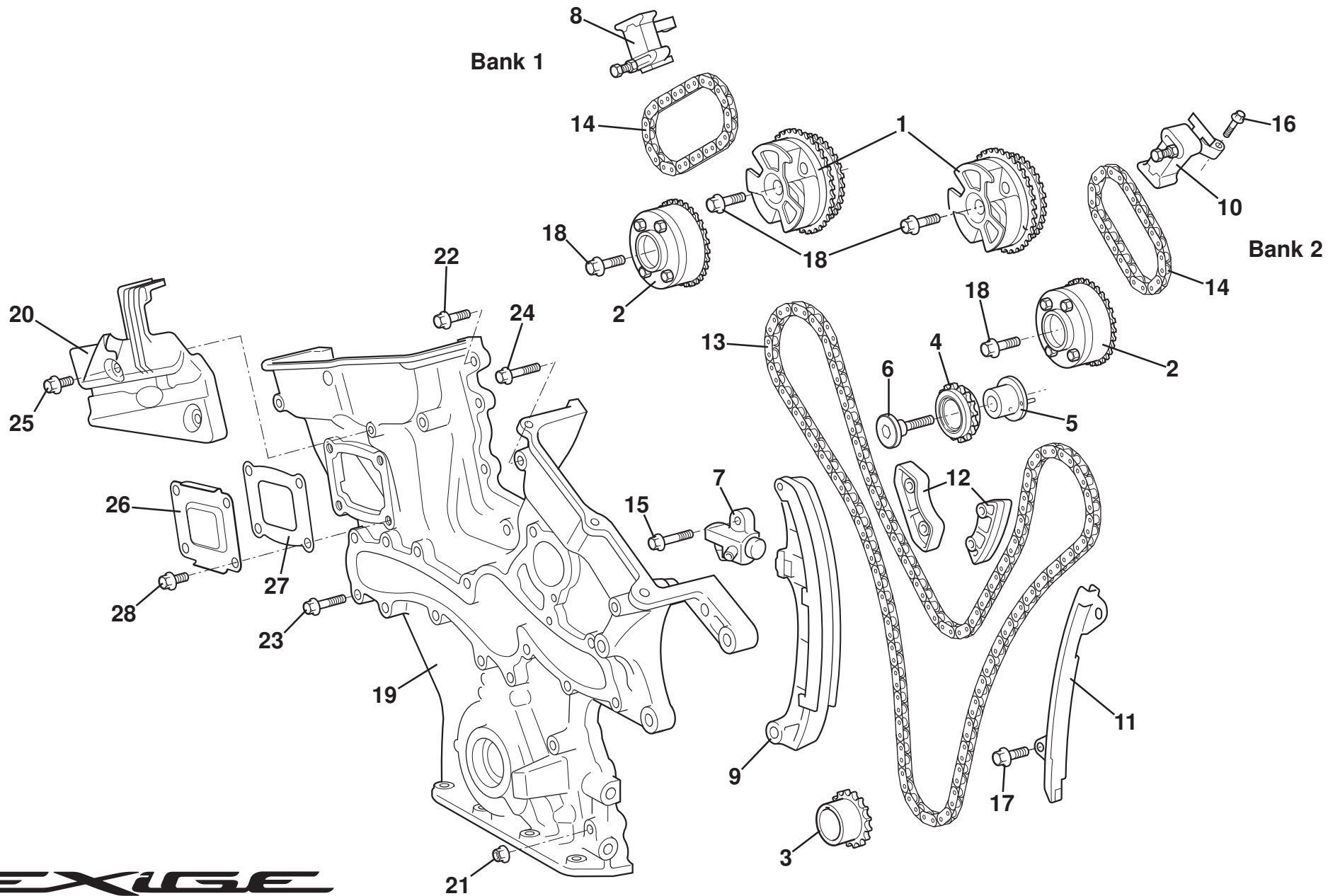
<u>Dep</u>	<u>Part Description</u>	<u>Remarks</u>	<u>Option</u>	<u>Part Number</u>	<u>Qty</u>
18	Hose, ventilation No. 2, RH bank to inlet tank			A138E0029K	1
19	Ventilation hose			A138E0031K	1
20	Hose Clip, ventilation hose to valve			A138W6021F	2
20a	Hose Clip, ventilation hose to intake tube	For use with item 17		A132E6373S	1
21	Hose Clip, ventilation hose No. 2, RH bank	Wire type		A132E6374S	1
22	Spigot, LH bank			A138E0028F	1
23	Valve Assy., cam timing control, LH bank 2, intake	Includes 'O' ring		A132E6235S	1
24	Valve Assy., cam timing control, LH bank 2, exhaust	Includes 'O' ring		A132E6239S	1
25	Valve Assy., cam timing control, RH bank 1, exhaust	Includes 'O' ring		A132E6235S	1
26	Valve Assy., cam timing control, RH bank 1, intake	Includes 'O' ring		A132E6236S	1
27	'O' Ring, Valve Assy., cam timing control			A132E6419S	4
28	Filter, oil control valve			A132E6237S	2
29	Sensor, camshaft position	Also see 17.06		A132E6283S	4
30	Bolt, hex. flg. hd., valves to cam cover			A132E6238S	4
31	Bolt, hex. flg. hd., sensors to cam cover			A132E6466S	4
32	Bolt/Washer, hex. hd., camshaft gear	Also see 40.08		A132E6211S	4
33	PCV valve			A132E6181S	1
34	Adaptor PCV valve			A138E0027F	1
35	Tie Wrap Clip			A116K6020F	1
36	Hose Clip, ventilation hose to super charger			A132E6006F	1
37	Hose Clip, ventilation hose to PCV valve			A116W6738F	1



---

**Function Code 40.07 Camshafts, Tappets, Cam Cover**

<u>Dep</u>	<u>Part Description</u>	<u>Remarks</u>	<u>Option</u>	<u>Part Number</u>	<u>Qty</u>
38	Condenser			A132E6376S	2
39	Dowel Pin			A132E6202S	4
40	Swivel Clip 8-9			A132W6088F	1
41	Swivel Clip 13-14			A120E6566F	1
42	Swivel Clip Tie Wrap			A082W6324F	2



**EXIGE**  
40.08

*Updated 1st September 2014*

# Service Parts List

# EXIGE



## Function Code 40.08 Camshaft Drive Chain & Sprockets

<u>Dep</u>	<u>Part Description</u>	<u>Remarks</u>	<u>Option</u>	<u>Part Number</u>	<u>Qty</u>
01	Gear Assembly, camshaft timing inlet			A132E6205S	2
02	Gear Assembly, camshaft timing exhaust			A132E6206S	2
03	Sprocket, crankshaft			A132E6207S	1
04	Idler Sprocket Assembly			A132E6208S	1
05	Bush, idler sprocket	Includes dowel pin		A132E6209S	1
06	Bolt, skt. hd., idler sprocket retention			A132E6210S	1
07	Tensioner Assembly, chain no. 1			A132E6212S	1
08	Tensioner Assembly, chain no. 2, RH			A132E6213S	1
09	Slipper, chain tensioner			A132E6214S	1
10	Tensioner Assembly, chain no. 2, LH			A132E6215S	1
11	Damper, chain vibration, lower			A132E6216S	1
12	Damper, chain vibration no. 2, upper			A132E6217S	2
13	Chain, camshaft drive, no. 1, main			A132E6221S	1
14	Chain, camshaft drive, no. 2, inlet to exhaust camshaft			A132E6222S	2
15	Bolt, hex. flg. hd., tensioner assembly, chain no. 1			A132E6218S	2
16	Bolt, hex. flg. hd., tensioner assembly, chain no. 2			A132E6425S	2
17	Bolt, hex. flg. hd., damper, chain vibration (lower)			A132E6220S	2
18	Bolt/Washer, camshaft gear			A132E6211S	4

EXIGE

Function Code: 40.08, Page: 1

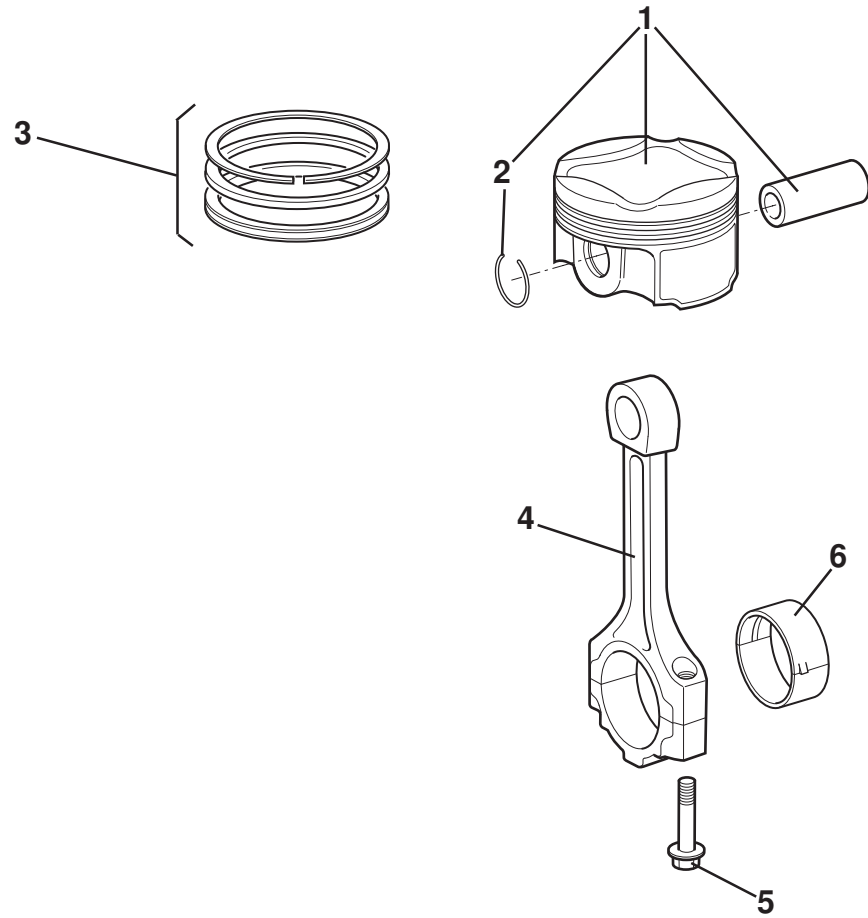
Updated 4th January 2016



---

**Function Code 40.08 Camshaft Drive Chain & Sprockets**

<u>Dep</u>	<u>Part Description</u>	<u>Remarks</u>	<u>Option</u>	<u>Part Number</u>	<u>Qty</u>
19	Cover Assembly, timing chain			A132E6135S	1
20	Cover Assembly, timing chain No.2, upper			A132E6136S	1
21	Nut, flange, no., cover assy., to block			A132E6474S	1
22	Bolt, hex. flg. hd., cover assy., to block			A132E6140S	10
23	Bolt, hex. flg. hd., cover assy., to block	Up to engine no. J949034		A132E6141S	12
24	Bolt, hex. flg. hd., cover assy., to block			A132E6470S	1
25	Bolt, hex. flg. hd., cover assy. no. 2, upper to main cover			A132E6467S	2
26	Plate, timing chain cover			A132E6432S	1
27	Gasket, plate to cover			A132E6433S	1
28	Bolt, hex. flg. hd., plate to main cover			A132E6416S	4



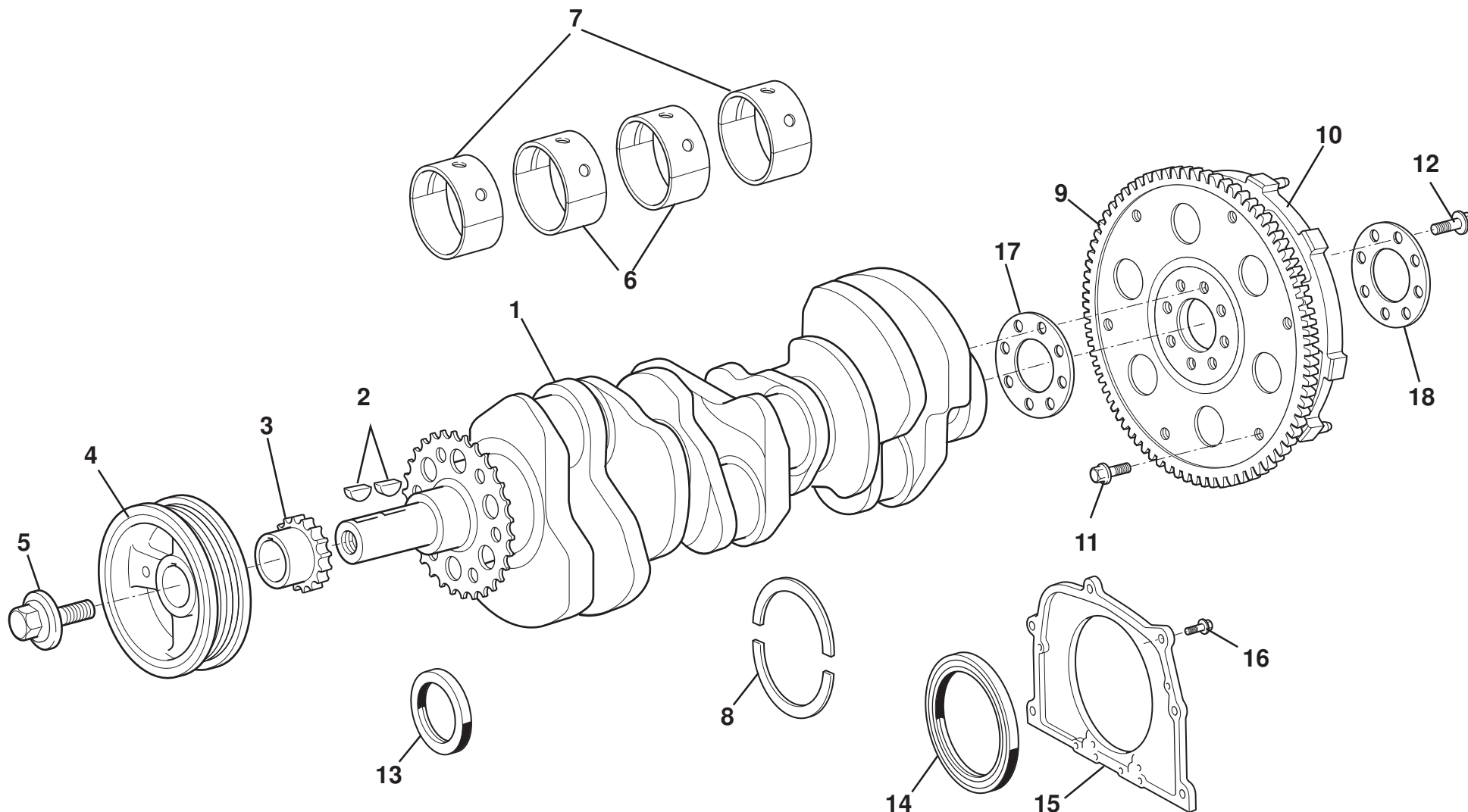
**EXIGE**

**40.09**

---

**Function Code 40.09 Pistons, Con-rods, Liners**

<u>Dep</u>	<u>Part Description</u>	<u>Remarks</u>	<u>Option</u>	<u>Part Number</u>	<u>Qty</u>
01	Piston Assembly	Includes gudgeon pin, circlips		<b>A132E6400S</b>	6
02	Circlip, gudgeon pin retaining			<b>A132E6192S</b>	12
03	Piston Ring Set			<b>A132E6193S</b>	6
04	Connecting Rod			<b>A132E6194S</b>	6
05	Bolt, hex. flg. hd., cap to rod			<b>A132E6195S</b>	12
06	Con-rod Bearing Set, (size 1)			<b>A132E6440S</b>	6
06a	Con-rod Bearing Set, (size 2)			<b>A132E6491S</b>	6
06b	Con-rod Bearing Set, (size 3)			<b>A132E6492S</b>	6
06c	Con-rod Bearing Set, (size 4)			<b>A132E6493S</b>	6



**EXIGE**

40.11

*Updated 31st May 2013*

# Service Parts List

# EXIGE



## Function Code 40.11 Crankshaft, Bearings, Flywheel

<u>Dep</u>	<u>Part Description</u>	<u>Remarks</u>	<u>Option</u>	<u>Part Number</u>	<u>Qty</u>
01	Crankshaft	Includes, Woodruff keys, item 2		A132E6196S	1
02	Woodruff Key, crankshaft to pulley & sprocket			A132E6197S	2
03	Sprocket, timing chain drive			A132E6207S	1
04	Pulley, auxiliary belt drive			A132E6198S	1
05	Bolt, with washer, pulley to crankshaft			A132E6199S	1
06	Bearing Set, crankshaft No. 2 & No. 3, (size 1)			A132E6426S	2
06a	Bearing Set, crankshaft No. 2 & No. 3, (size 2)			A132E6483S	2
06b	Bearing Set, crankshaft No. 2 & No. 3, (size 3)			A132E6484S	2
06c	Bearing Set, crankshaft No. 2 & No. 3, (size 4)			A132E6485S	2
06d	Bearing Set, crankshaft No. 2 & No. 3, (size 5)			A132E6486S	2
07	Bearing Set, crankshaft No. 1 & No. 4, (size 1)			A132E6435S	2
07a	Bearing Set, crankshaft No. 1 & No. 4, (size 2)			A132E6487S	2
07b	Bearing Set, crankshaft No. 1 & No. 4, (size 3)			A132E6488S	2
07c	Bearing Set, crankshaft No. 1 & No. 4, (size 4)			A132E6489S	2
07d	Bearing Set, crankshaft No. 1 & No. 4, (size 5)			A132E6490S	2
08	Thrust Washer Set, crankshaft			A132E6160S	1
09	Flex Plate, with starter gear ring			A132E6289S	1
10	Flywheel Assembly, manual low inertia			A132E0103F	1

EXIGE

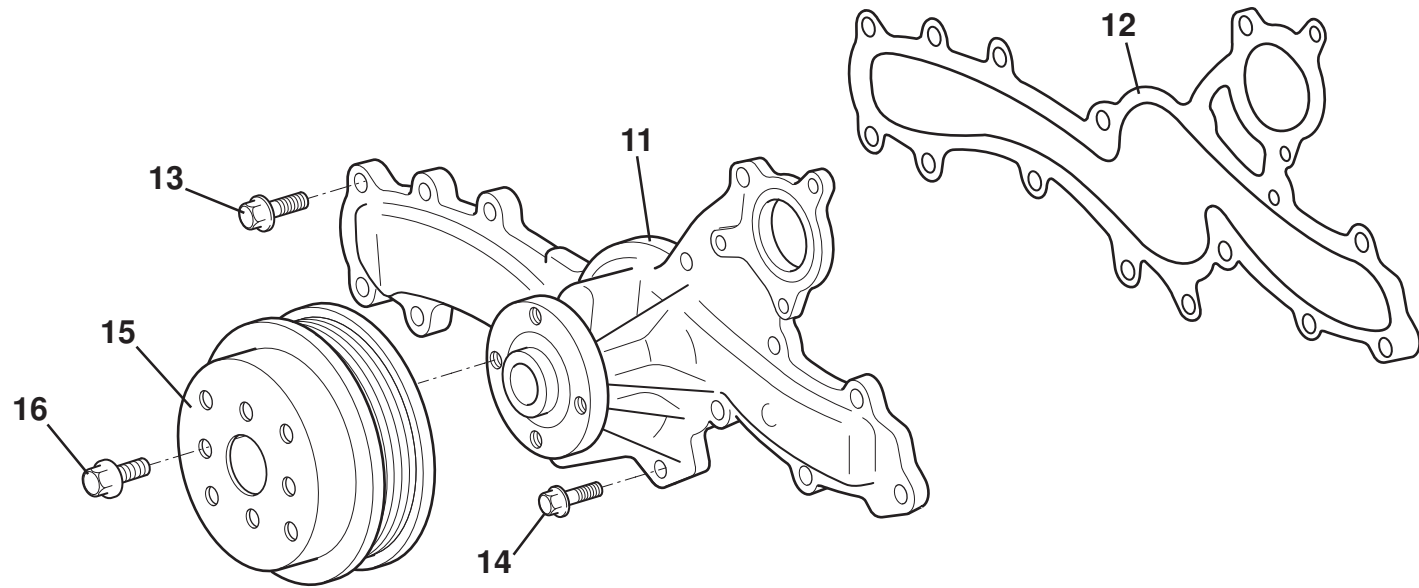
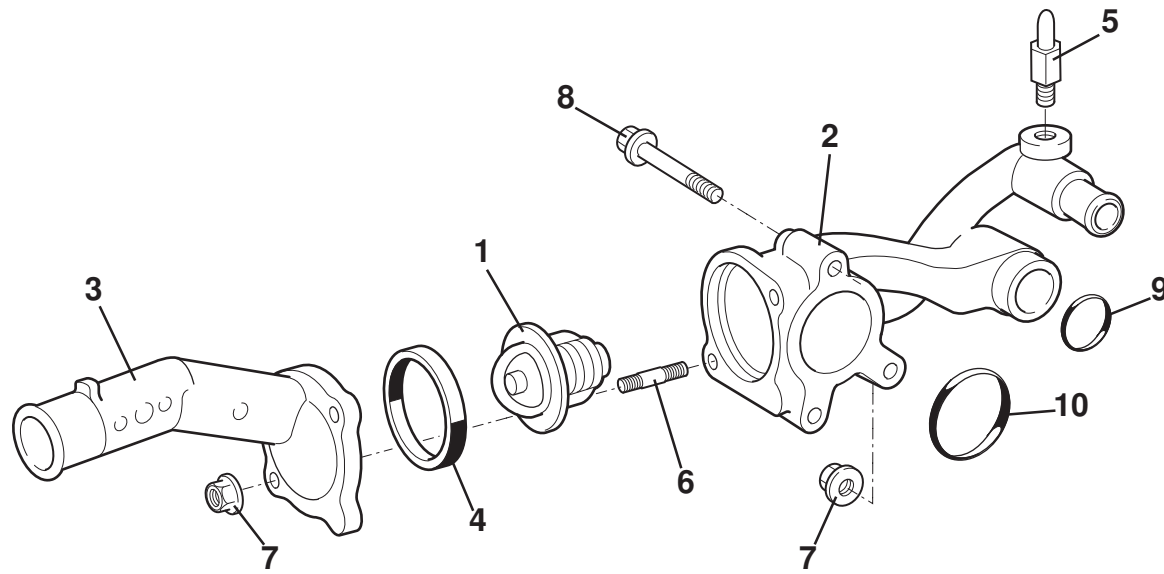
Function Code: 40.11, Page: 1

Updated 5th January 2015

---

**Function Code 40.11 Crankshaft, Bearings, Flywheel**

<u>Dep</u>	<u>Part Description</u>	<u>Remarks</u>	<u>Option</u>	<u>Part Number</u>	<u>Qty</u>
11	Bolt, hex. flg. hd., flex plate to flywheel			A132E6368S	6
12	Bolt, hex. flg. hd., flywheel & flex plate to crankshaft			A132E6356S	8
13	Oil Seal, crankshaft front	Also see 40.02a		A132E6138S	1
14	Oil Seal, crankshaft, rear	Also see 40.02a		A132E6162S	1
15	Retainer Plate, oil seal, crankshaft, rear			A132E6161S	1
16	Bolt, retainer to block			A132E6466S	6
17	Spacer, drive plate front			A132E6290S	1
18	Spacer, drive plate rear			A132E6291S	1



**EXIGE**

**40.13**

# Service Parts List

# EXIGE

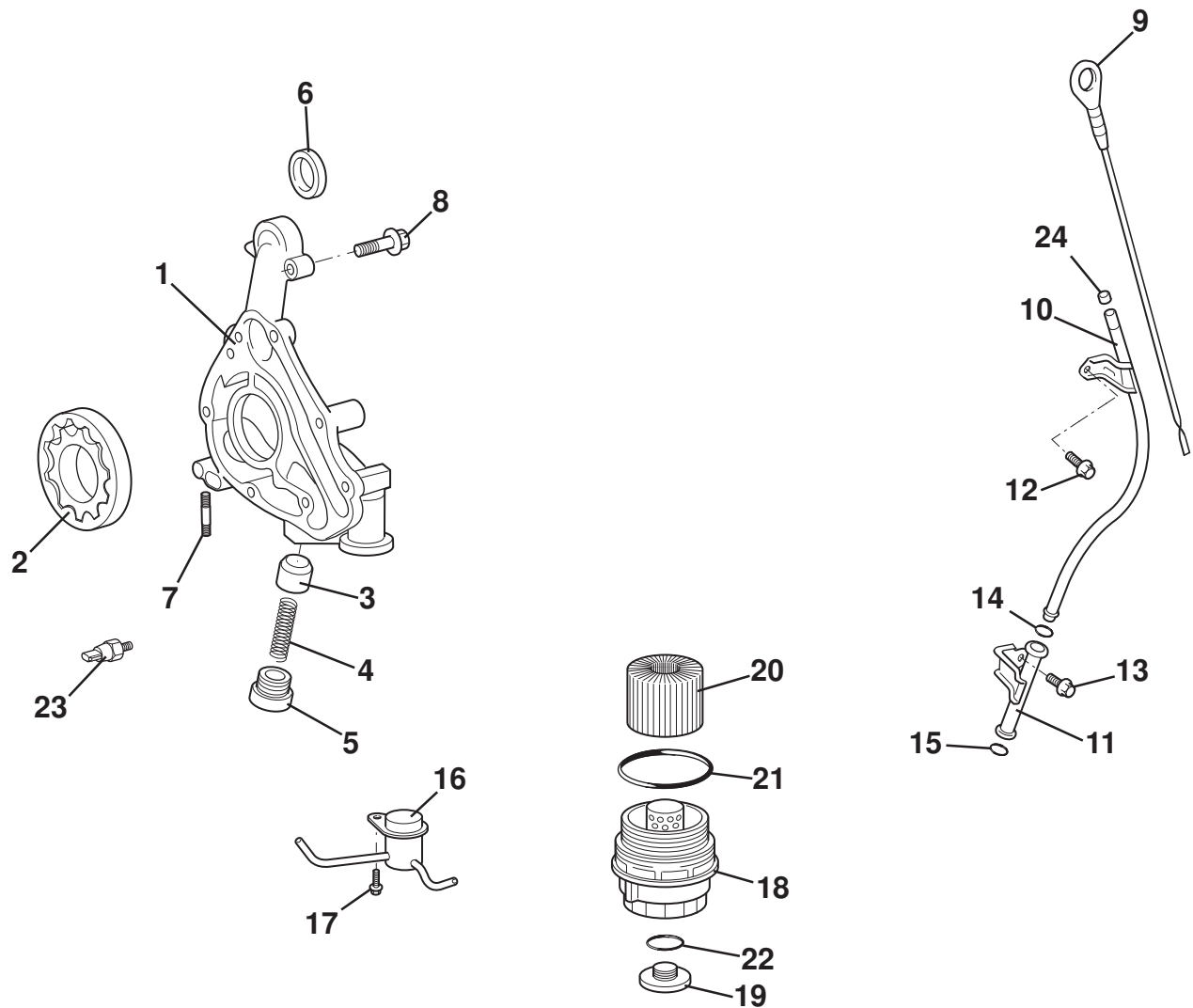


## Function Code 40.13 Water Pump Assembly, Thermostat

<u>Dep</u>	<u>Part Description</u>	<u>Remarks</u>	<u>Option</u>	<u>Part Number</u>	<u>Qty</u>
01	Thermostat			A132E6255S	1
02	Thermostat Housing, water inlet			A120E6251S	1
03	Water Inlet			A132E6250S	1
04	Gasket Ring, thermostat			A132E6253S	1
05	Drain Cock Assembly			A132E6254S	1
06	Stud, water inlet to thermostat housing			A132E6256S	2
07	Nut, flange, water inlet & engine to thermostat housing			A132E6473S	3
08	Bolt, flg. hd., thermostat housing to engine			A132E6131S	2
09	'O' Ring, water inlet pipe to water inlet housing			A132E6273S	1
10	'O' Ring special, by-pass water inlet housing			A132E6252S	1
11	Water Pump			A132E6414S	1
12	Gasket, water pump			A132E6452S	1
13	Bolt, flange hd., No. 1, water pump body			A132E6415S	9
14	Bolt, flange hd., No. 2, water pump body			A132E6417S	6
15	Pulley, water pump			A132E6248S	1
16	Bolt, hex. flg. hd., pulley to pump			A132E6249S	4

EXIGE





**EXIGE**  
40.15

*Updated 2nd January 2014*

# Service Parts List

# EXIGE



## Function Code 40.15 Lubrication System

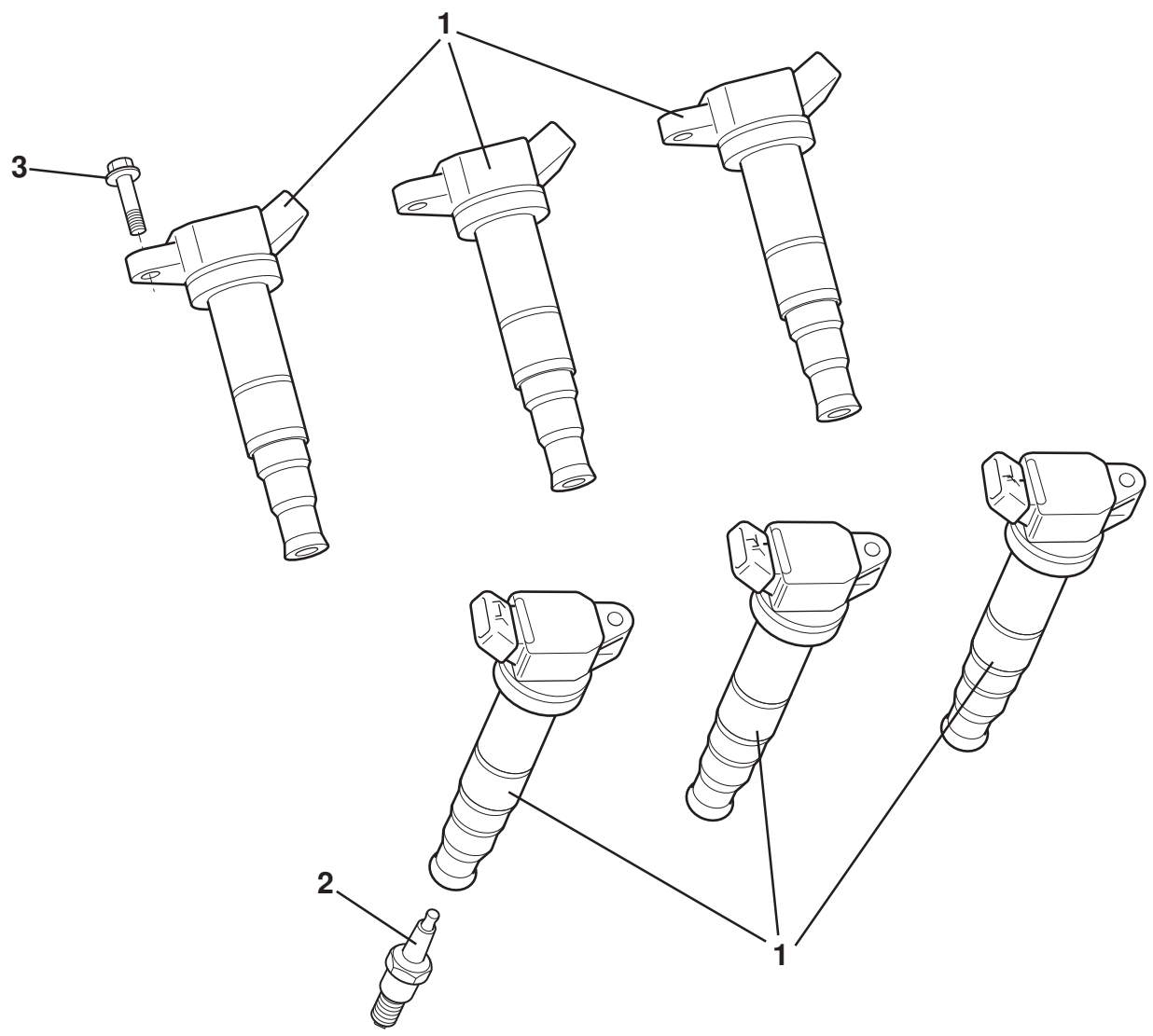
<u>Dep</u>	<u>Part Description</u>	<u>Remarks</u>	<u>Option</u>	<u>Part Number</u>	<u>Qty</u>
01	Oil Pump Housing Assembly	Incl. pressure relief valve, & studs		A132E6411S	1
02	Oil Pump			A132E6410S	1
03	Cap, pressure relief valve			A132E6412S	1
04	Spring, pressure relief valve			A120E6433S	1
05	Plug, pressure relief valve			A132E6413S	1
06	Gasket, oil pump housing			A132E6137S	1
07	Stud, oil pump housing			A132E6115S	2
08	Bolt, housing to cover			A132E6417S	3
09	Dipstick			A132E6310S	1
10	Dipstick Guide Tube	Includes 'O' Ring		A132E6301S	1
11	Dipstick Guide Tube, lower			A132E6164S	1
12	Bolt, guide tube retention			A132E6249S	1
13	Bolt, lower guide tube retention			A132E6472S	1
14	'O' ring, guide tube to lower guide tube			A120E6281S	1
15	'O' Ring, lower guide tube to block			A132E6165S	1
16	Nozzle, oil feed			A132E6246S	1
17	Bolt, nozzle to block			A132E6247S	1
18	Oil Filter Housing			A132E6450S	1

EXIGE

---

**Function Code 40.15 Lubrication System**

<u>Dep</u>	<u>Part Description</u>	<u>Remarks</u>	<u>Option</u>	<u>Part Number</u>	<u>Qty</u>
19	Plug, oil filter housing			A132E6451S	1
20	Oil Filter Kit	Incl. 'O' rings		A132E6399S	1
21	'O' Ring, housing to sump	P/O filter kit		A132E6461S	1
22	'O' Ring, plug to housing	P/O filter kit		A132E6475S	1
23	Switch, oil pressure			A132E6297S	1
24	Spacer Dipstick			A132E0086F	1



**EXIGE**

40.17

# Service Parts List

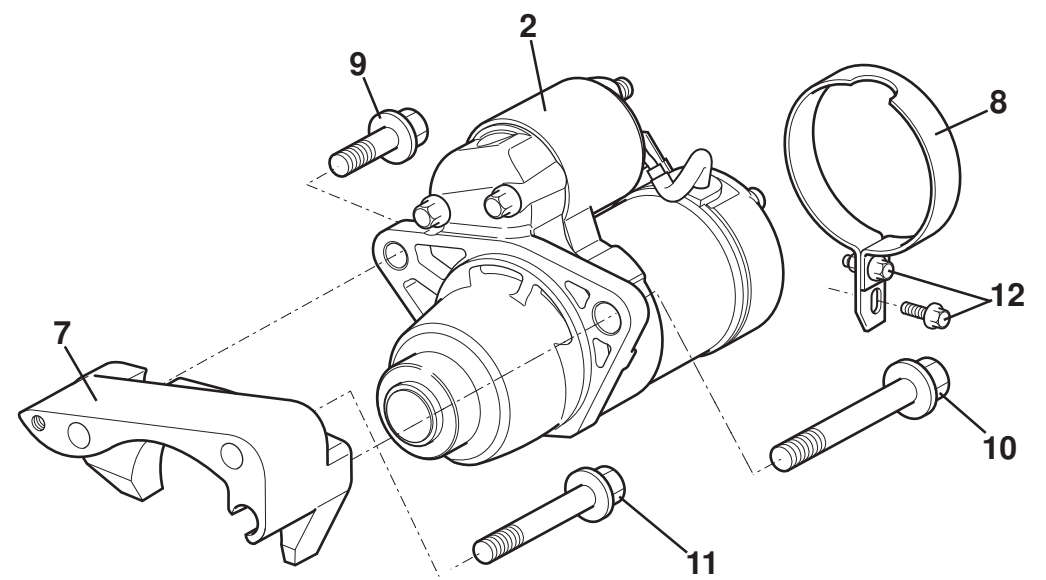
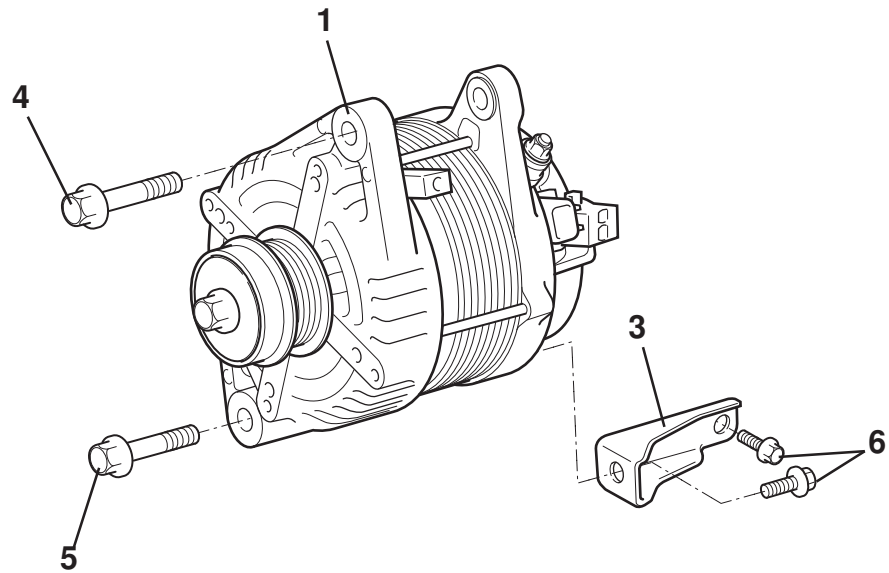
*EXIGE*



## Function Code 40.17 Ignition System, Spark plugs & Plug Top Coils

<u>Dep</u>	<u>Part Description</u>	<u>Remarks</u>	<u>Option</u>	<u>Part Number</u>	<u>Qty</u>
01	Ignition Coil			A132E6422S	6
02	Spark Plug			A132E6503F	6
03	Bolt, flg. hd., ignition coil retention			A132E6280S	6

*EXIGE*



**EXIGE**  
40.19

# Service Parts List

# EXIGE



## Function Code 40.19 Alternator and Starter Motor

<u>Dep</u>	<u>Part Description</u>	<u>Remarks</u>	<u>Option</u>	<u>Part Number</u>	<u>Qty</u>
01	Alternator	Red label*		A132E6333S	1
01a	Alternator		Auto	A132E6023S	1
01b	Alternator 150amp	Brown Label*	Manual & Auto	A132E6557H	1
02	Starter motor			A132E0014K	1
02a	Starter motor		Auto	A132F6272S	1
03	Bracket, alternator			A132E6309S	1
03a	Bracket, alternator		Auto	A132E6024S	1
04	Bolt, hex. flg. hd., alternator, upper fixing			A132E6266S	1
04a	Bolt No.2, hex. flg. hd., alternator, upper fixing		Auto	A132E6027S	1
05	Bolt, hex. flg. hd., alternator, lower fixing			A132E6470S	1
05a	Bolt, hex No1. flg. hd., alternator, lower fixing		Auto	A132E6026S	1
06	Bolt, hex. flg. hd., alternator bracket			A132E6025H	2
07	Adaptor, starter motor			A132F0013F	1
08	Bracket/Strap, starter motor			B132F0022F	1
09	Bolt, M10 x 35, hex. flg. hd., starter to adaptor			A132E6421S	1
09a	Bolt, starter		Auto	A132F6274S	1
10	Bolt, M12 x 90, hex. flg. hd., starter to main adaptor plate			A132E6360S	1
11	Bolt, M10 x 65, hex. flg. hd., adaptor to main adaptor plate			A132F6022H	2

EXIGE

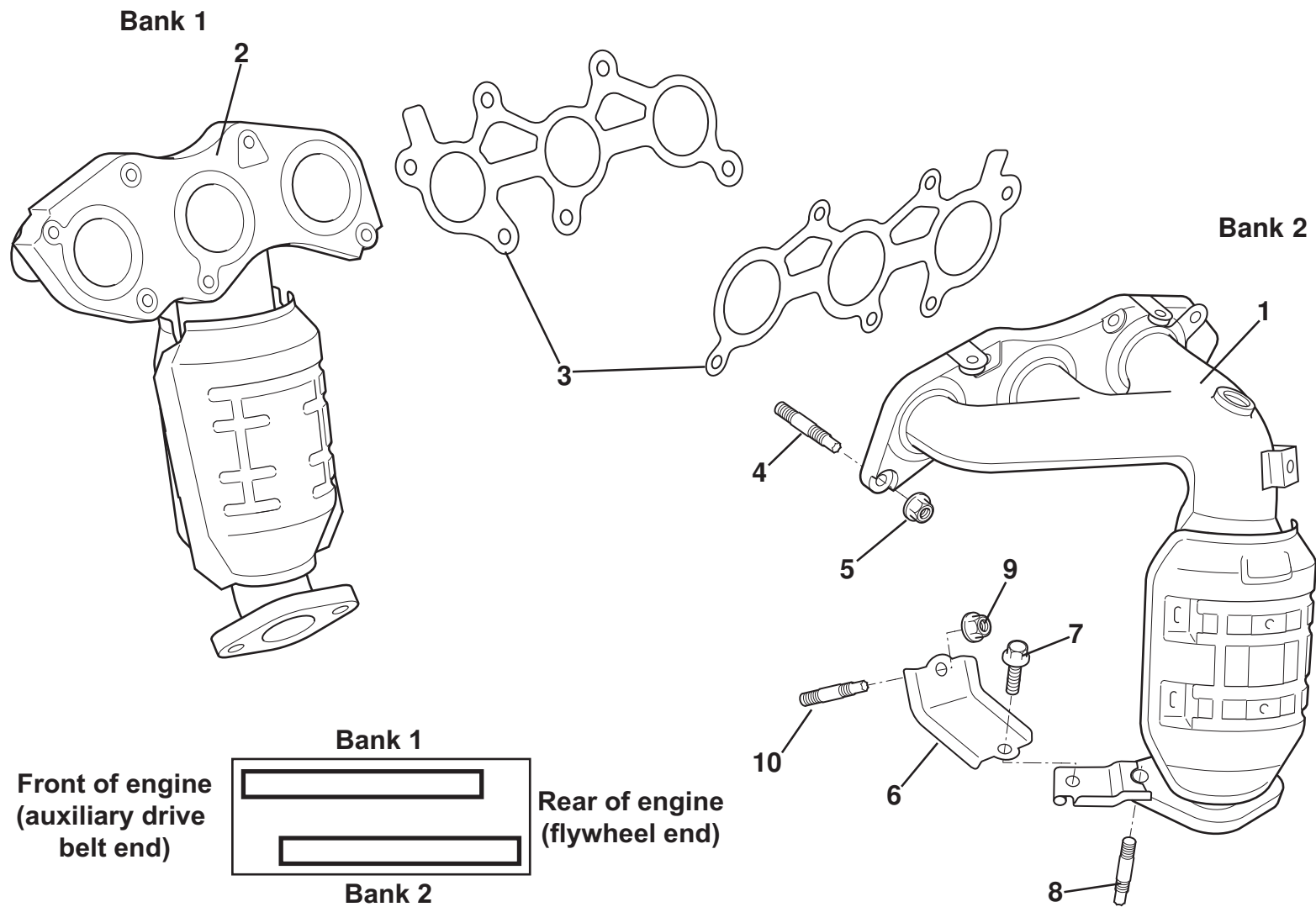
---

**Function Code 40.19 Alternator and Starter Motor**

<u>Dep</u>	<u>Part Description</u>	<u>Remarks</u>	<u>Option</u>	<u>Part Number</u>	<u>Qty</u>
12	Screw, M8 x 16, hex. flg. hd., brkt. fixing + strap pinching			A117W2202F	2
*Refer to TSB 2017/02					

---





**EXIGE**

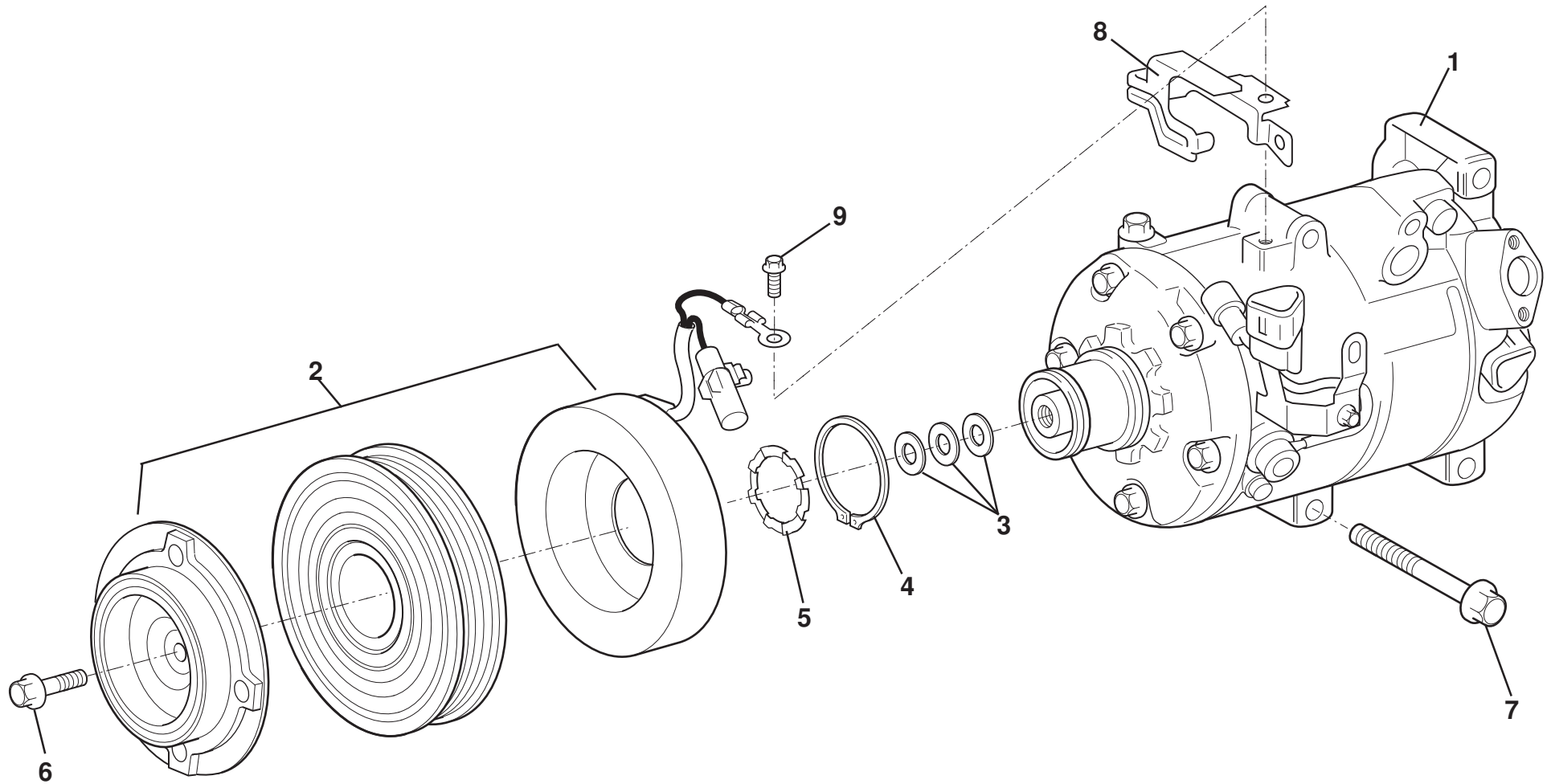
40.21

*Updated 1st April 2015*

---

**Function Code 40.21 Exhaust Manifold**

<u>Dep</u>	<u>Part Description</u>	<u>Remarks</u>	<u>Option</u>	<u>Part Number</u>	<u>Qty</u>
01	Exhaust Manifold Assy, LH			A132E6315S	1
02	Exhaust Manifold Assy, RH	Includes primary heat shield		A132E6316S	1
03	Gasket, exhaust manifold assy to head			A132E6318S	2
04	Stud, exhaust manifold to head			A132E6117S	12
05	Nut, flange exhaust manifold to head			A132E6394S	12
06	Stay, exhaust manifold no. 1			A132E6313S	1
07	Bolt, hex. flg. hd., stay to manifold LH			A132E6047H	1
08	Stud, LH manifold to downpipe	See see section 45.01		A132E6153S	2
09	Nut, flange, stay fixing			A132E6048H	1
10	Stud, stay fixing			A132E6153S	1



**EXIGE**  
40.23

# Service Parts List

# EXIGE



## Function Code 40.23 AC Compressor

<u>Dep</u>	<u>Part Description</u>	<u>Remarks</u>	<u>Option</u>	<u>Part Number</u>	<u>Qty</u>
01	AC Compressor, PAG46 oil	Not includNot including clutch/pulley assembly, refer to SB 2016/21		A132E6349S	1
01a	AC Compressor, ND12 oil	Not including clutch/pulley assembly, refer to SB 2016/21		A132E6563H	1
02	Clutch Assembly, AC compressor			A132E6351S	1
03	Shim Kit, magnetic clutch			A120E6493S	1
04	Circlip, clutch			A132E6354S	1
05	Shaped Circlip, clutch			A132E6353S	1
06	Bolt, hex. flg. hd., AC compressor clutch			A120E6484S	1
07	Bolt, hex. flg. hd., compressor mounting			A132E6367S	4
08	Bracket, harness retention			A132E6352S	1
09	Bolt, hex. flg. hd., bracket to compressor			A132E6467S	1

EXIGE



# Service Parts List

# EXIGE



## Function Code 41.03 Auxiliary Drive Belts & Pulleys

<u>Dep</u>	<u>Part Description</u>	<u>Remarks</u>	<u>Option</u>	<u>Part Number</u>	<u>Qty</u>
01	Drive Belt			B138E0001F	1
02	Pulley, crankshaft	Also see 40.11		A132E6198S	1
03	Bolt, hex. flg. hd., crankshaft pulley	Also see 40.11		A132E6199S	1
04	Pulley/Clutch Assy, AC pump	Also see 40.23, also modify to use on item 12		A132E6351S	1
05	Bolt, hex. flg. hd., Pulley to pump	Also see 40.23		A132W2048F	1
06	Pulley, water pump	Also see 40.13		A132E6248S	1
07	Bolt, hex. flg. hd., pulley to pump	Also see 40.13		A132E6249S	4
08	Pulley, idler			A132E6261S	1
09	Bolt, hex. flg. hd., idler pulley retention			A132E6421S	1
10	Plate, idler pulley cover, front			A132E6264S	1
11	Plate, idler pulley cover, rear			A132E6262S	1
12	Idler Bracket Assembly, AC pump replacement	Includes Bolt & washers, to replace pulley use item 04 and modify	Non A/C	A138E0005J	1
13	Drive Belt Tensioner Assembly			A132E6263S	1
14	Bolt, hex. flg. hd., tensioner upper fixing			A132E6266S	1
15	Bolt, hex. flg. hd., tensioner lower fixings			A132E6421S	4
16	Bracket Assembly, engine idler mounting		Exige S	A138E6000F	1
16a	Bracket Assembly, engine idler mounting	TBC	Exige Sport 350	A138E0049F	1

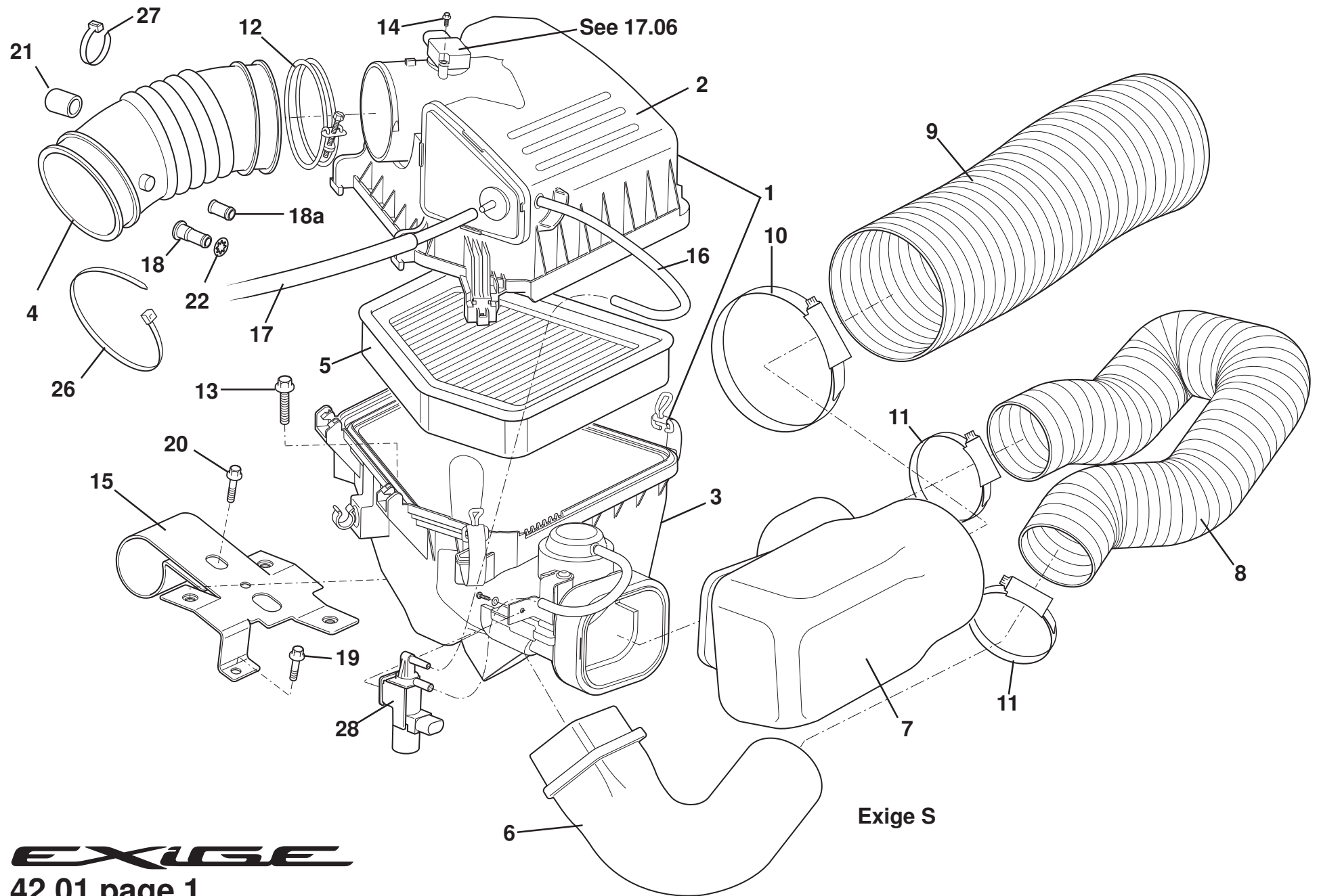
EXIGE

---

**Function Code 41.03 Auxiliary Drive Belts & Pulleys**

<u>Dep</u>	<u>Part Description</u>	<u>Remarks</u>	<u>Option</u>	<u>Part Number</u>	<u>Qty</u>
17	Pulley, idler 50mm		Exige S	<b>A132E6513S</b>	1
17a	Pulley, idler 50mm		Exige Sport 350		
18	Pulley, idler 60mm		Exige S	<b>A132E6514S</b>	1
18a	Pulley, idler 60mm		Exige Sport 350		
19	Pulley, idler internal 52.5mm		Exige S	<b>A132E6515S</b>	1
19a	Pulley, idler internal 52.5mm		Exige Sport 350		
20	Screw M10 x 50, button hd cap		Exige S,	<b>A132W5042F</b>	1
21	Screw M10 x 50, skt hd cap		Exige S	<b>A132W5043F</b>	3
22	Washer, pulley transfer		Exige S	<b>A132W4006F</b>	3
23	Pulley, idler internal 52.5 mm, nut mount		Exige S	<b>A138E6010S</b>	1
24	Nut idler mounting		Exige S	<b>A138E6011S</b>	1
25	Bolt, hex. flg. hd., idler assembly			<b>A132E6367S</b>	3
26	Washer, pulley transfer		Exige Sport 350	<b>A132W0160F</b>	4
27	Screw M10 x 50, skt hd cap		Exige Sport 350	<b>A132E6544F</b>	4

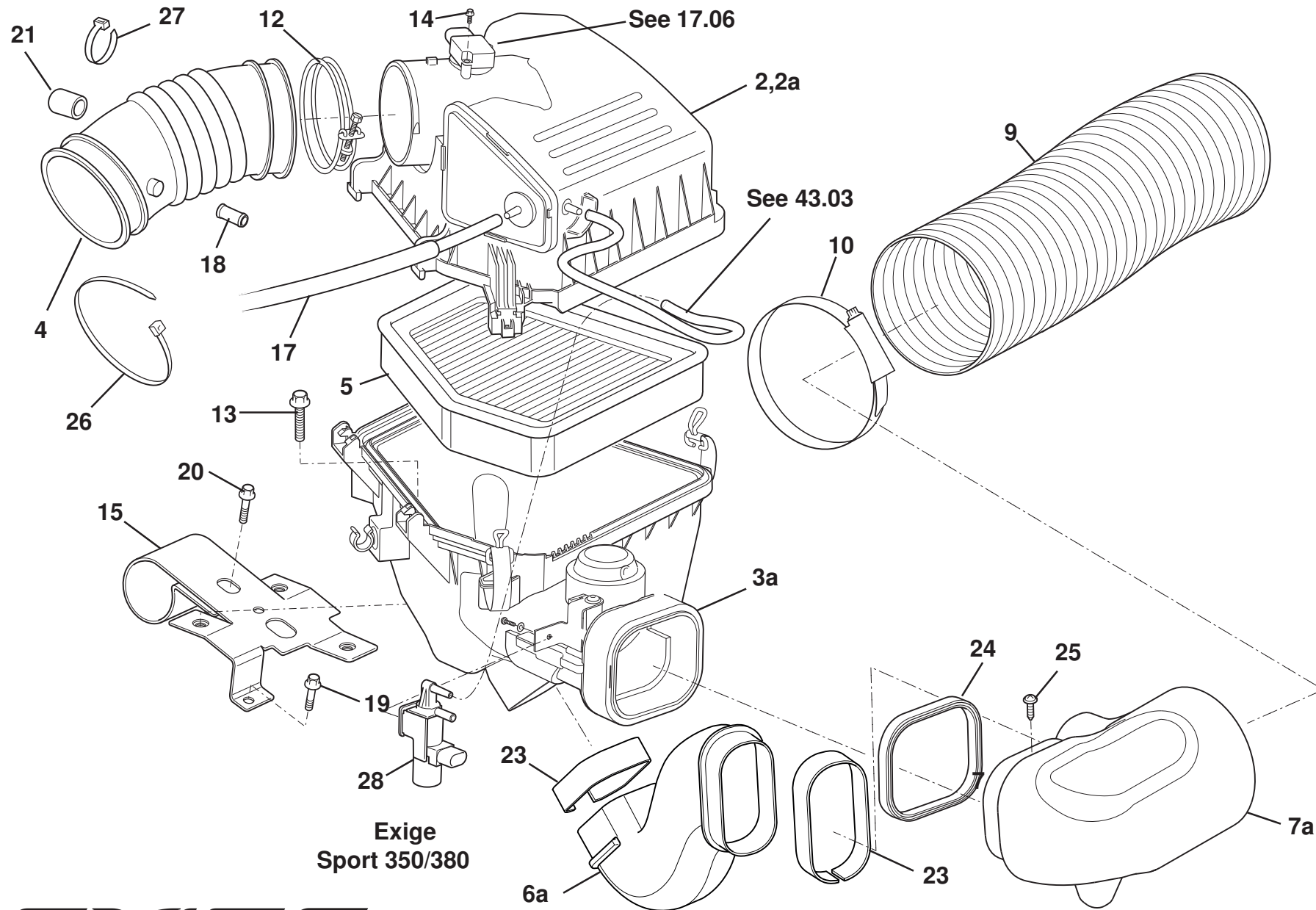




**EXIGE**  
 42.01 page 1

*Updated 3rd January 2017*





# Service Parts List

# EXIGE



## Function Code 42.01 Airboxes, Trunking & Air Filters

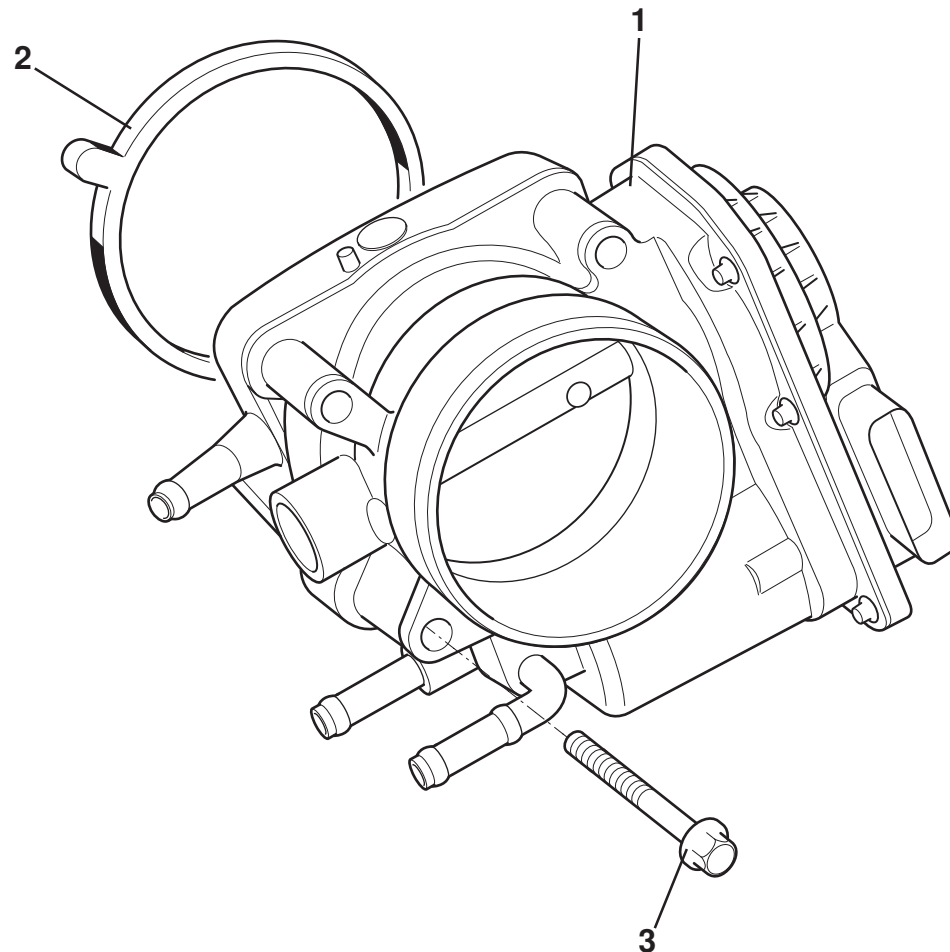
<u>Dep</u>	<u>Part Description</u>	<u>Remarks</u>	<u>Option</u>	<u>Part Number</u>	<u>Qty</u>
01	Airbox Case Assembly		Exige S	A132E6481S	1
02	Airbox Case Assembly, upper			A132E6323S	1
02a	Airbox Case Assembly, upper		Exige Sport 380	A138E0072K	1
03	Airbox Case Assembly, lower		Exige S	A132E6020F	1
03a	Airbox Case Assembly, lower		Exige Sport 350	A132E0243K	1
04	Hose Intake, supercharger			B132E6507F	1
05	Air Filter			A132E6324S	1
06	Adaptor, airbox bypass		Exige S	B132E0028F	1
06a	Adaptor, airbox bypass		Exige Sport 350	A132E0203F	1
07	Adaptor, main airbox		Exige S	C132E0027F	1
07a	Adaptor, main airbox		Exige Sport 350	A132E0202F	1
08	Hose, intake snorkel bypass			A132E0018F	1
09	Hose Main Intake Snorkel			B138E0004F	1
10	Hose Clip, 110-130mm, main hose to retention			A132W6037F	2
11	Hose Clip, bypass hose			A075L6044F	2
12	Hose Clip, plenum to airbox & throttle body			A132E6022H	2
13	Screw, M8 x 30, flg. hd., airbox to bracket			A116W5245F	3
14	Screw, flg. hd., sensor to airbox upper			A120E6447S	2

EXIGE

**Function Code 42.01 Airboxes, Trunking & Air Filters**

<u>Dep</u>	<u>Part Description</u>	<u>Remarks</u>	<u>Option</u>	<u>Part Number</u>	<u>Qty</u>
15	Bracket, airbox mounting			C132E0016F	1
15a	Bracket, airbox mounting	TBC	Auto	A138F0049F	1
16	Hose, vacuum, 245mm, valve to airbox			A121E0008F	1
17	Hose, vacuum, airbox to inlet plenum			A132E6320S	1
18	Pipe Stub			A138E0032F	1
18a	Pipe Stub			A132E0082F	1
19	Screw, M6 x 14, hex. flg hd. bracket mounting			A116W5233F	2
20	Screw, M6 x 20, hex. flg hd. pump clamping			A132W5004F	1
21	Blanking Cap			A132E0080F	1
22	Star Clip			A138W6019F	1
23	Foam Strip		Exige Sport 350	A082U6067	
24	Edging Strip		Exige Sport 350	A111U6034	
25	Screw no.6 x 1/2 pan pozi		Exige Sport 350	A075W5012Z	5
26	Cable Tie	Refer to TSB 2016/25		B075W6045Z	2
27	Cable Tie	Refer to TSB 2016/25		A075W6038Z	1
28	Valve, vacuum switching, intake by-pass			A132E6322S	1





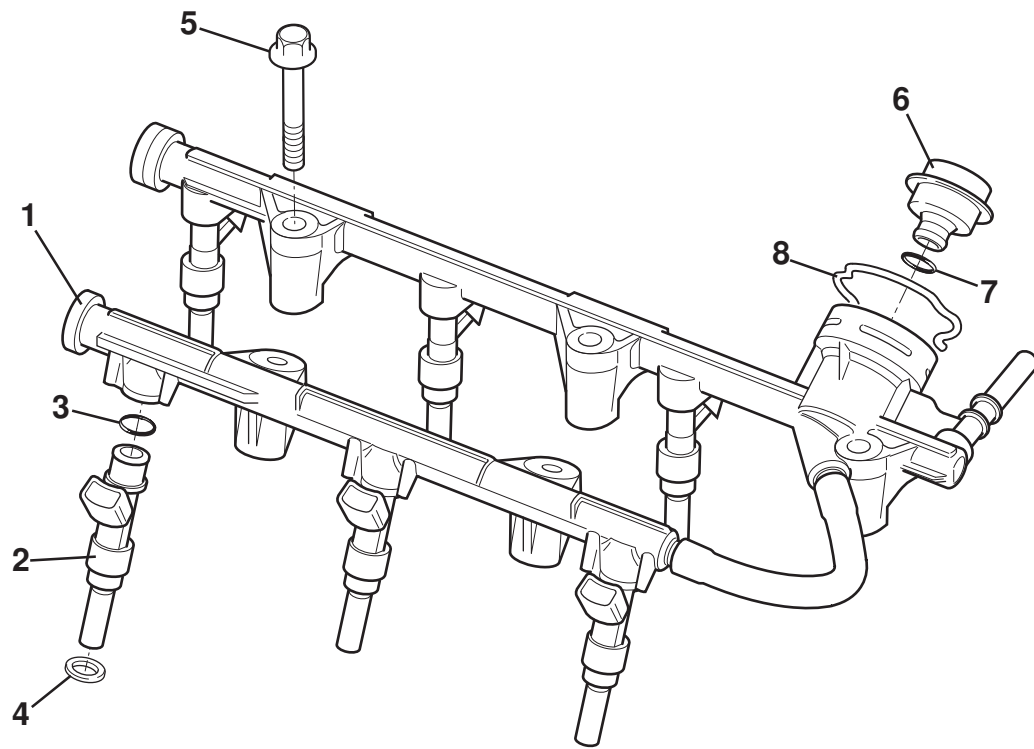
**EXIGE**

**42.04**

---

**Function Code 42.04 Throttle Body, Mechanism & IAC Valve**

<u>Dep</u>	<u>Part Description</u>	<u>Remarks</u>	<u>Option</u>	<u>Part Number</u>	<u>Qty</u>
01	Throttle Body			A132E6327S	1
02	Gasket, throttle body to intake plenum			A132E6454S	1
03	Bolt, throttle body to intake plenum			A132E6379S	4



**EXIGE**

42.05

# Service Parts List



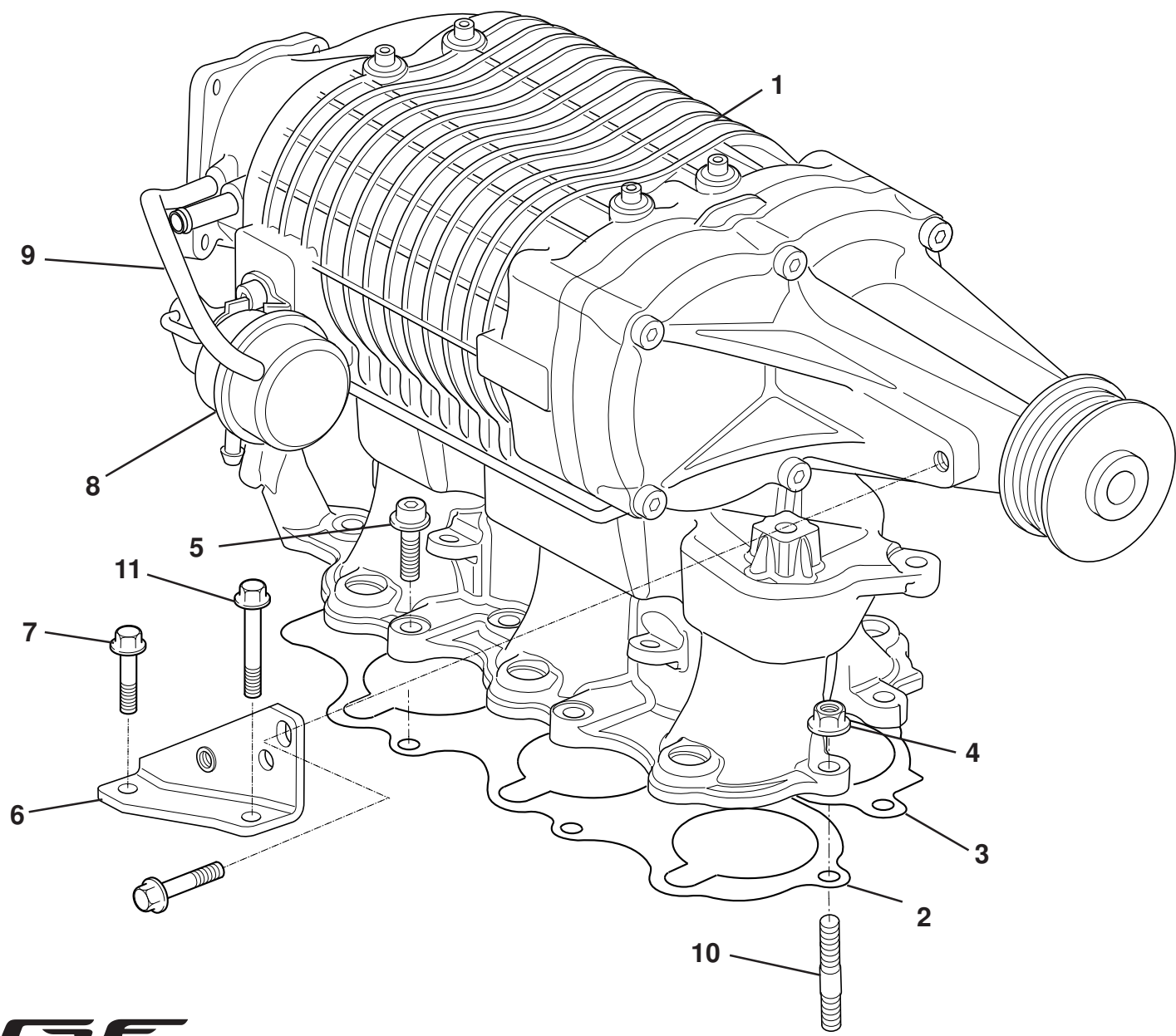
## Function Code 42.05 Fuel Injection System

<u>Dep</u>	<u>Part Description</u>	<u>Remarks</u>	<u>Option</u>	<u>Part Number</u>	<u>Qty</u>
01	Fuel Rail Assembly	Includes 6,7,8		A132E6286S	1
02	Fuel Injector, high flow	Includes 'O' ring		A132E6498H	6
03	'O' Ring, injector to rail			A132E6460S	6
04	Insulator, injector			A132E6285S	6
05	Bolt, hex. flg. hd., rail to engine			A132E6287S	5
06	Fuel Pressure Valve	Unavailable order item 1		A132E6508S	1
07	'O' Ring, valve to rail			A132E6460S	1
08	Clip, valve retention to rail			A132E6509S	1



Function Code: 42.05, Page: 1

*Updated 4th February 2016*



**EXIGE**  
42.09

*Updated 21st November 2012*



# Service Parts List

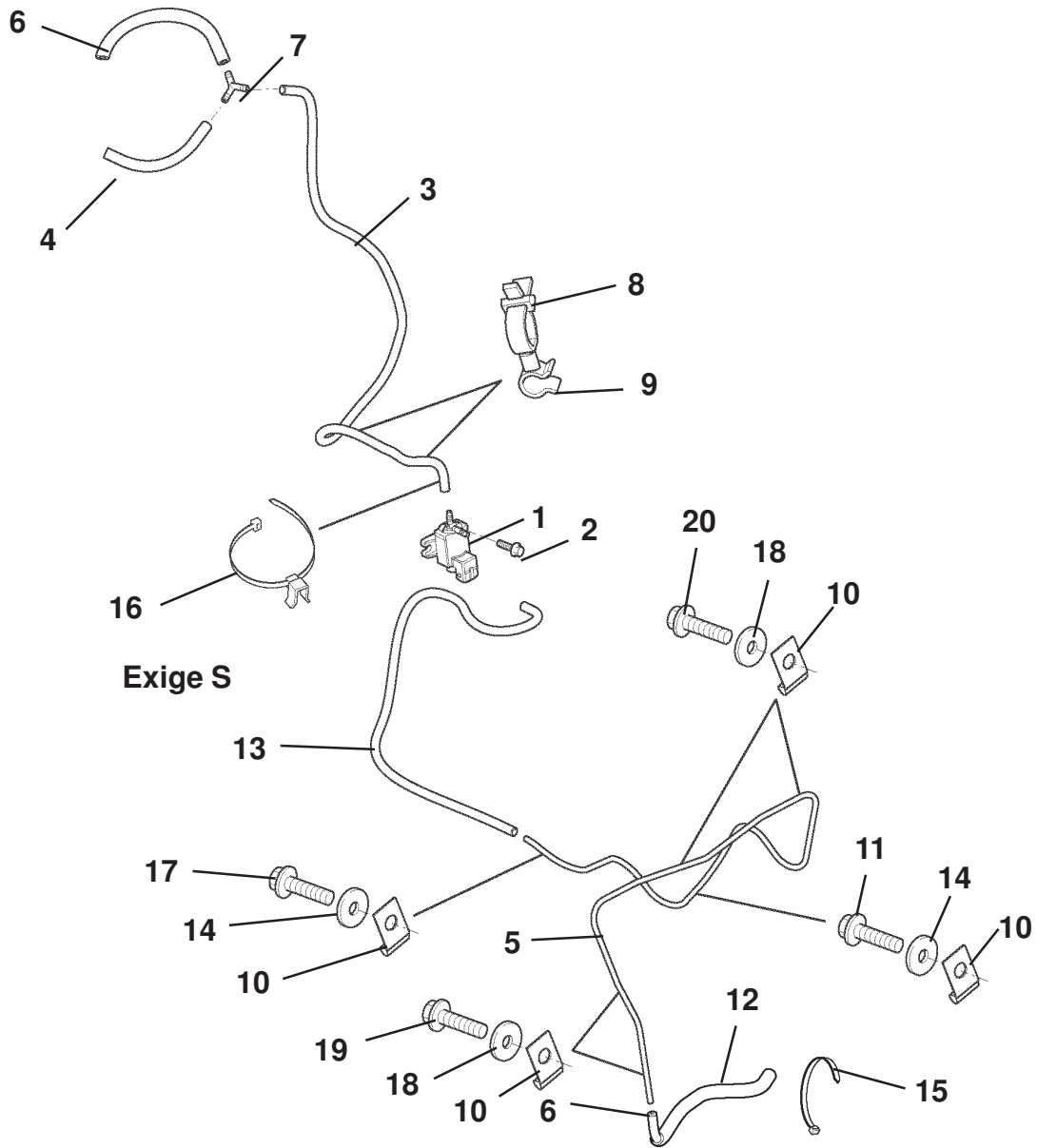
# EXIGE



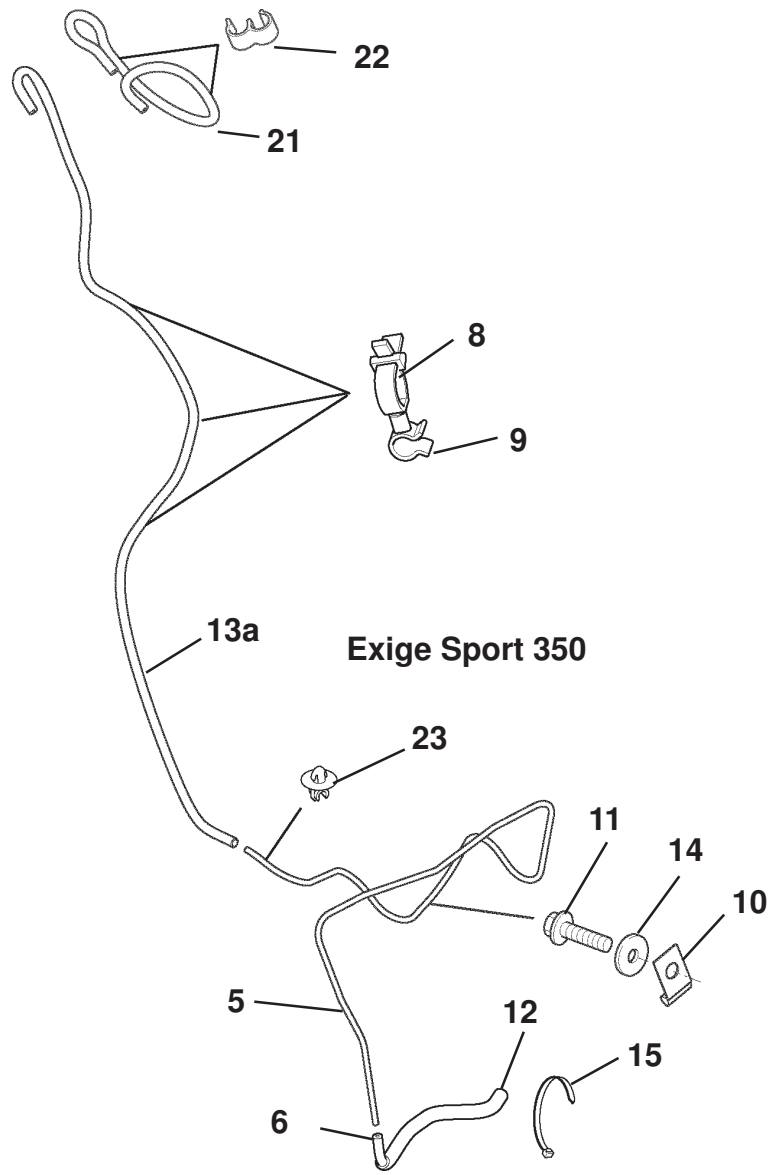
## Function Code 42.09 Supercharger

<u>Dep</u>	<u>Part Description</u>	<u>Remarks</u>	<u>Option</u>	<u>Part Number</u>	<u>Qty</u>
01	Supercharger Assembly, black			B138E6004F	1
01a	Supercharger Assembly, unpainted			B132E6494F	1
01b	Supercharger Assembly, unpainted	65mm pulley	Exige sport 380	A132E6026F	1
02	Gasket, inlet manifold LH			A132E6276S	1
03	Gasket, inlet manifold RH			A132E6275S	1
04	Nut, flange, supercharger to head			A132E6474S	6
05	Bolt/Washer, socket cap hd, supercharger to head			A132E6363S	4
06	Bracket			A138E0021K	1
07	Bolt, hex flg hd			A132E6191S	2
08	Vacuum actuator, supercharger			A132E6516S	1
09	Hose, vacuum actuator, supercharger			A132E6517S	1
10	Stud M8 x 25			A132E6116S	6
11	Bolt, hex flg hd M8 x 75, bracket to timing case			A138W1000F	1

EXIGE



Exige S



Exige Sport 350

**EXIGE**  
43.03

*Updated 4th February 2016*

# Service Parts List

# EXIGE



## Function Code 43.03 Vacuum System, Hoses, Pipes & Fittings

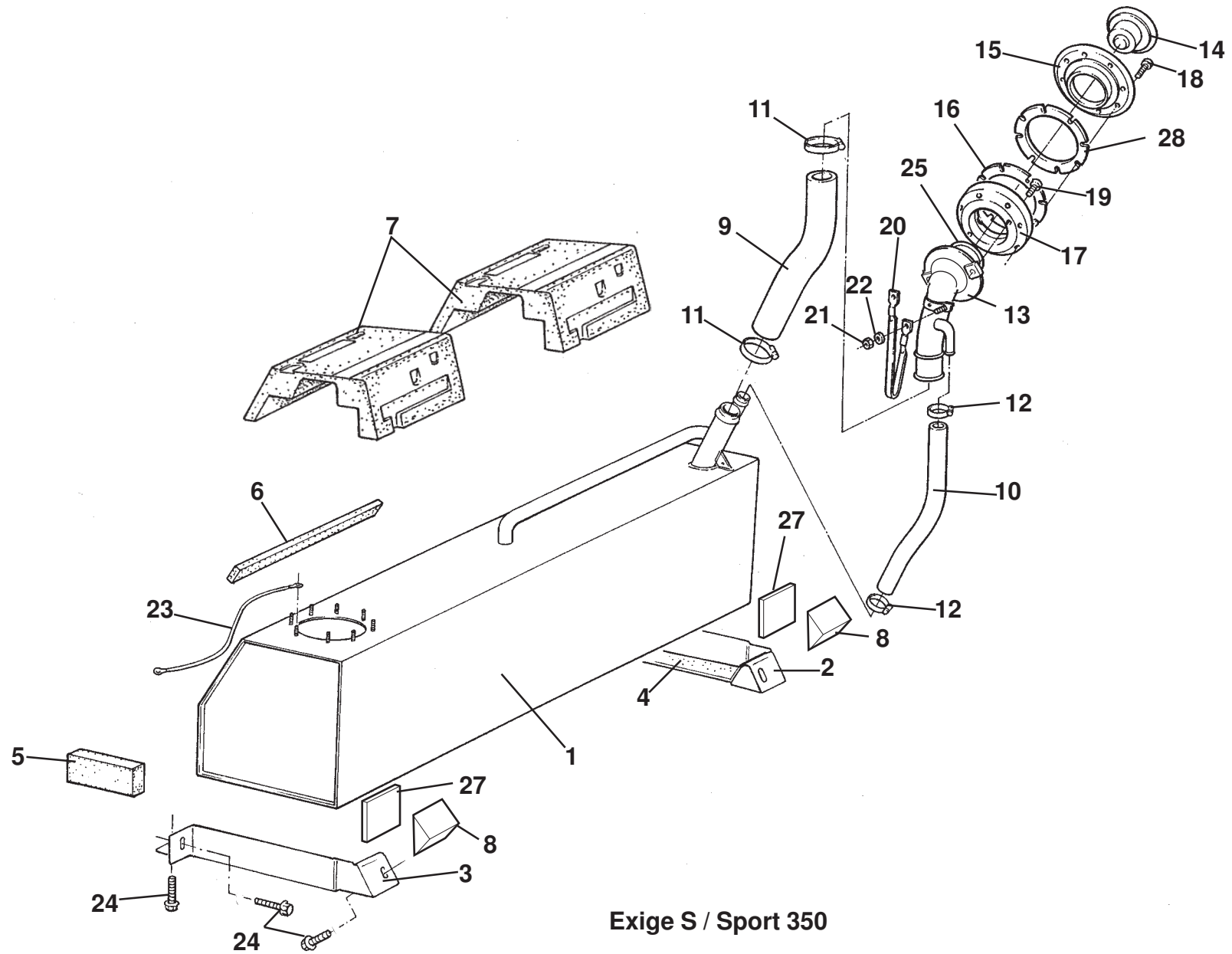
<u>Dep</u>	<u>Part Description</u>	<u>Remarks</u>	<u>Option</u>	<u>Part Number</u>	<u>Qty</u>
01	Solenoid Valve, exhaust flap		Exige S	A132S6014F	1
02	Screw M5 x 16 hex flg			A132W5016F	2
03	Hose Vacuum, airbox to soleniod			B138S0033F	1
04	Hose Vacuum, valve to pipe	Cut to length		A121E0008F	3
05	Pipe, vacuum exhaust valve			B138S0039F	1
06	Hose Vacuum, valve to pipe			B138S0047F	2
07	'Y' Piece			B120E6524F	1
08	Swivel Clip, tie wrap, hose airbox to valve			A082W6324F	2
09	Swivel Clip, hose airbox to valve			A132W6088F	2
10	'P' Clip, vacuum pipe			A132W6090F	6
11	Screw M5 x 12, hex flg			A132W5002F	1
12	Heat Wrap Protection, vacuum hose to valve			A120L0061F	1
13	Hose Vacuum, valve to pipe		Exige S	A138S0060F	1
13a	Hose Vacuum, valve to pipe		Exige Sport 350	B132S0144F	1
14	Washer 3/16 x 3/4			B075W4009Z	2
15	Tie Wrap			A124W6800F	1
16	Tie Wrap Edge Clip			A120W6895F	1
17	Screw M5 x 16, hex flg			A132W5016F	1

EXIGE

---

**Function Code 43.03 Vacuum System, Hoses, Pipes & Fittings**

<u>Dep</u>	<u>Part Description</u>	<u>Remarks</u>	<u>Option</u>	<u>Part Number</u>	<u>Qty</u>
18	Washer 3/16 x 3/4			B082W4018F	4
19	Screw M6 x 25, hex flg			A132W5014F	2
20	Screw M6 x 20, hex flg			A132W5004F	2
21	Hose Vacuum			A138S0085F	1
22	Cable Clip			A100W6418F	2
23	Cable Clip			A116W6661F	1

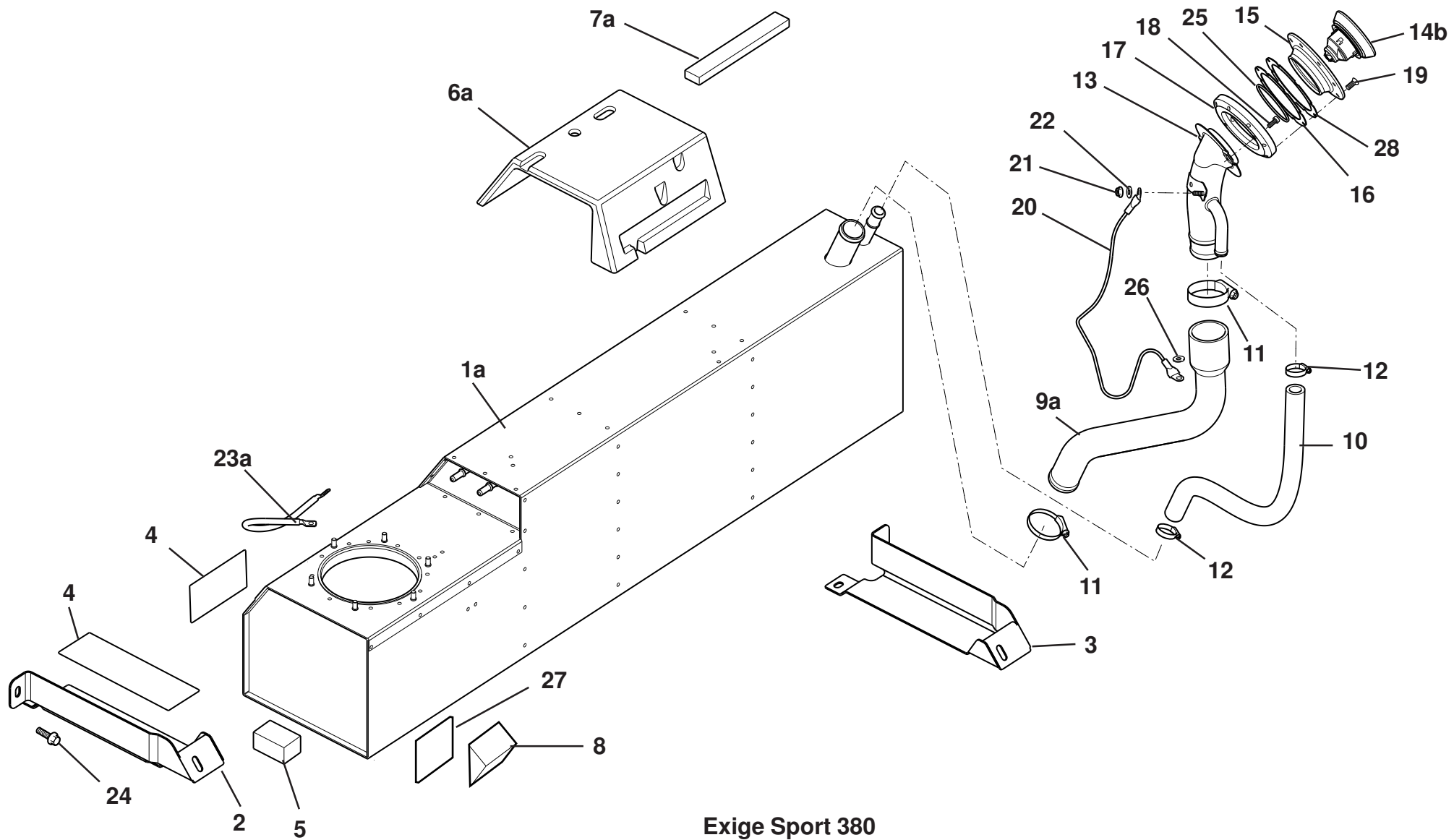


Exige S / Sport 350

**EXIGE**

44.01 page 1

*Updated 3rd January 2017*



Exige Sport 380

**EXIGE**

# Service Parts List

# EXIGE



## Function Code 44.01 Fuel Tanks, Filler

<u>Dep</u>	<u>Part Description</u>	<u>Remarks</u>	<u>Option</u>	<u>Part Number</u>	<u>Qty</u>
01	Fuel Tank			A120L0004H	1
01a	Fuel Tank		Exige sport 380	A138L0137F	1
02	Bracket, fuel tank support, RH			B120L0040F	1
03	Bracket, fuel tank support, LH			B120L0041F	1
04	Isolating Strip, tank brackets			A120L0047F	2
05	Foam Support, tank sides			B120L0028F	4
06	Restraint Foam			A120L0053F	4
06a	Restraint Foam		Exige sport 380	A138L0115F	4
07	Foam Block, fuel tank retention, upper			B120L0044F	2
07a	Foam Block, fuel tank retention, upper		Exige sport 380	A138L0114F	2
08	Rear Restraint, tank mounting			A120L0045F	2
09	Hose, fuel filler			A117L0060F	1
09a	Hose, fuel filler		Exige sport 380	A138L0112F	1
10	Hose, fuel breather			C117L0062F	1
11	Hose Clip, filler hose			A120L6016F	2
12	Hose Clip, breather hose			A079K6018F	2
13	Fuel Filler Neck			D120L0048F	1
14	Fuel Cap, including lock barrel,& Keys, black body	Master keys without handle, Keys are L-code*		C117L0025J	1

EXIGE

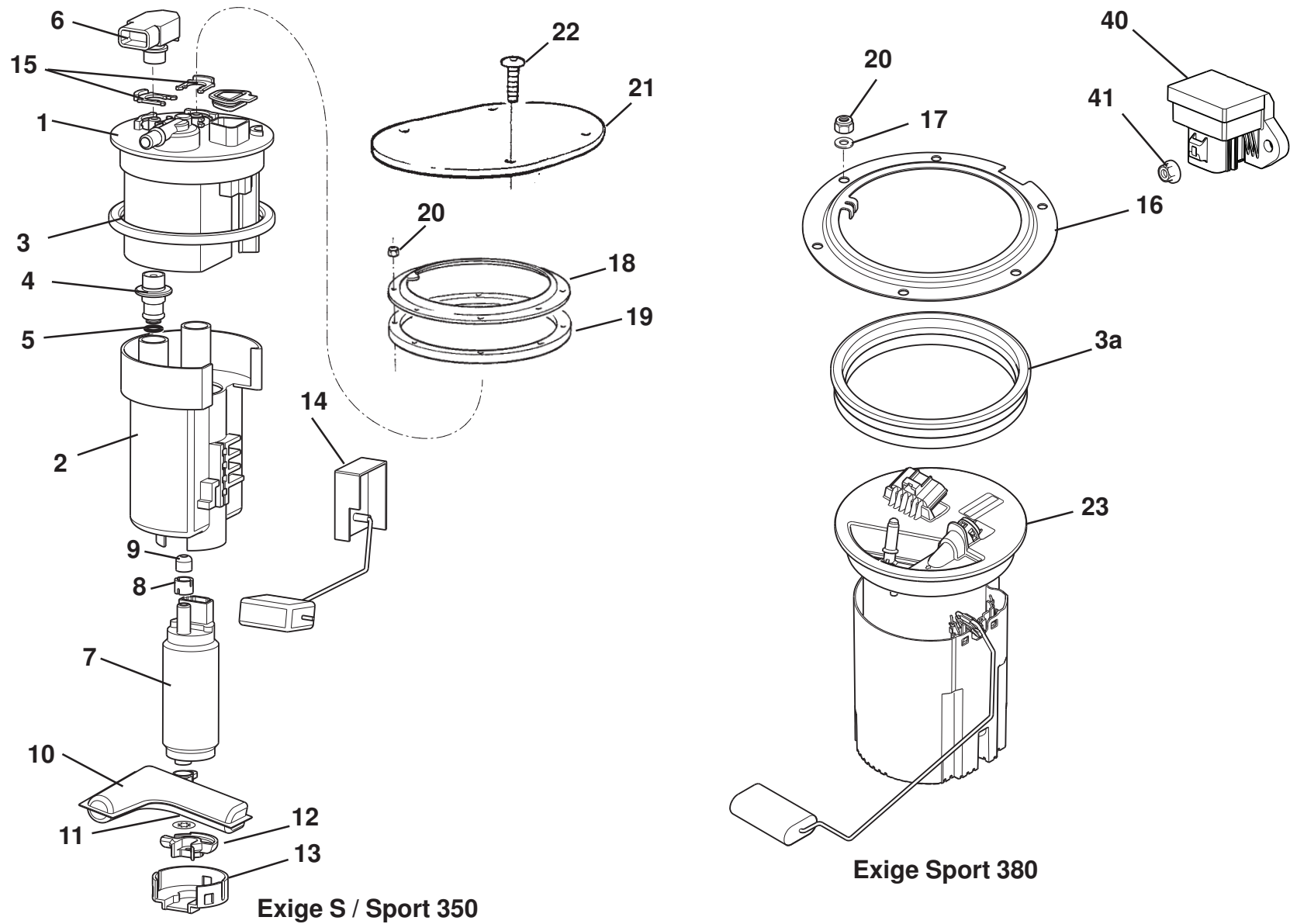
**Function Code 44.01 Fuel Tanks, Filler**

<u>Dep</u>	<u>Part Description</u>	<u>Remarks</u>	<u>Option</u>	<u>Part Number</u>	<u>Qty</u>
14a	Fuel Cap, less lock barrel, black body	Cap only, order with vehicle lock set, or item 14b		A138L0163F	1
14b	Lock Barrel & Keys, for the fuel cap	Master keys without handle, Keys are L-code*		A117L6050S	1
15	Finisher Ring Assembly, cap to clamshell	Includes items 25 & 28		A138L0031F	1
16	Gasket, spacer ring to clamshell			B117L0027F	1
17	Spacer Ring, filler to clamshell	Includes gasket item 16		A117L0067F	1
18	Screw, M5 x 25, skt, csk hd S/S., filler neck to clamshell			A121W7214F	8
19	Screw, M5 x 10, skt. cap hd., S/S, ring to filler neck			A117L6032F	2
20	Earth Braid, filler neck			A079M4094F	1
21	Nyloc Nut, M5, braid to filler neck			A100W3113F	2
22	Washer, flat, M5 x 10 x 0.8, braid to filler neck			A075W4011Z	2
23	Earth Lead, fuel tank			A120M0030H	1
23a	Earth Lead, fuel tank		Exige sport 380	A120M0061F	1
24	Screw, M8 x 25, hex. flg. hd., brackets to chassis			A132W5005F	6
25	'O' Ring, finisher ring			A117L6005F	1
26	Foam Pad, tank bay aperture	Bonded to access panel		A120L0056F	1
27	Support Pad, fuel tank front			B120L0058F	1
28	Gasket, finisher ring to clamshell			B117L0026F	1

\*NOTE: For information on D & L code keys see LSL483g







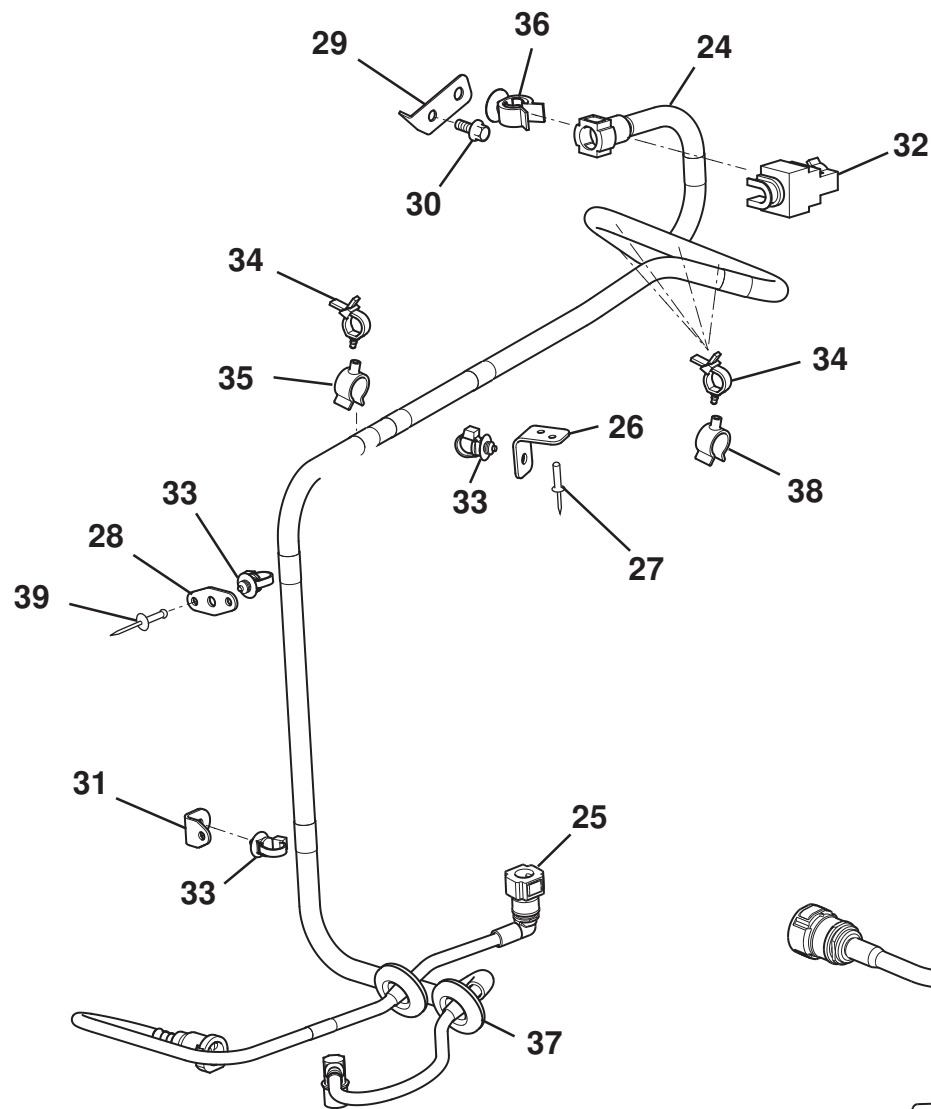
Exige S / Sport 350

Exige Sport 380

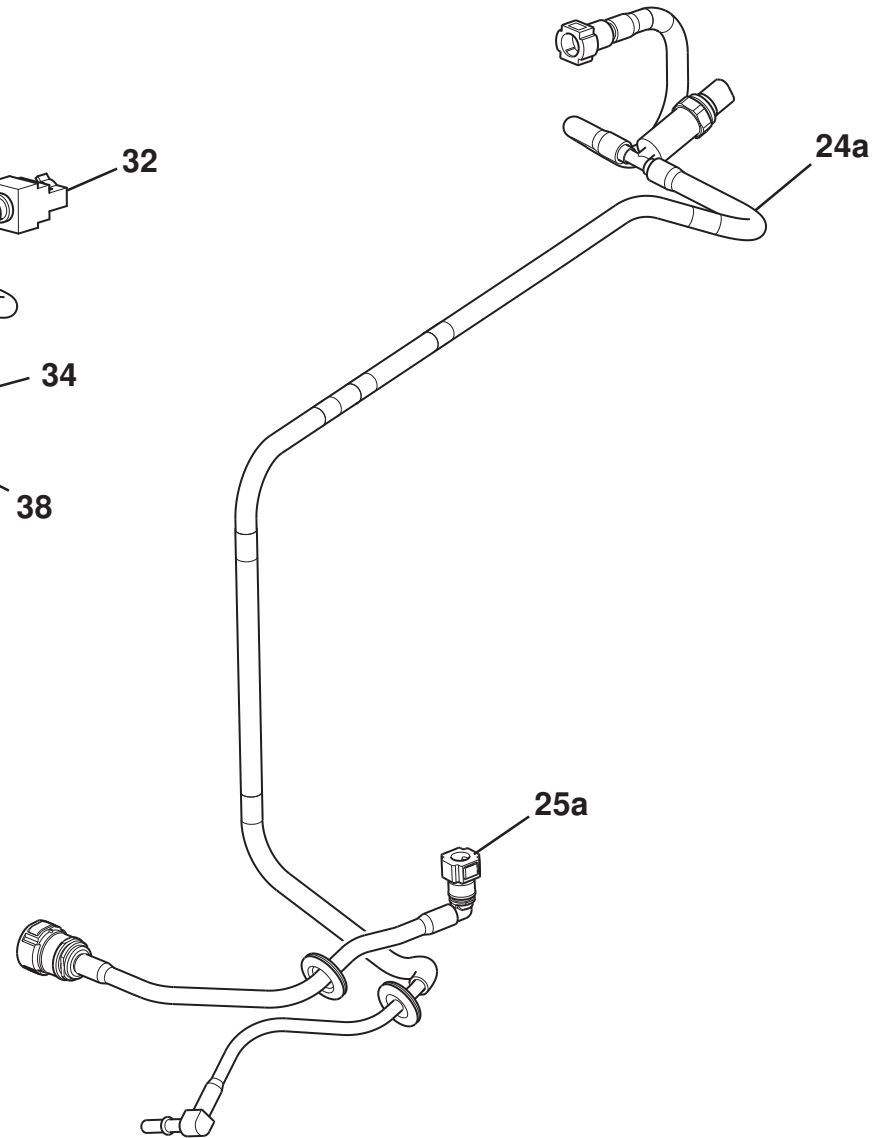
**EXIGE**

44.03 page 1

*Updated 2nd May 2017*



Exige S / Sport 350



Exige Sport 380

**EXIGE**

44.03 page 2

Updated 3rd March 2017

# Service Parts List

# EXIGE



## Function Code 44.03 Fuel Pump; Filter, Pipes

<u>Dep</u>	<u>Part Description</u>	<u>Remarks</u>	<u>Option</u>	<u>Part Number</u>	<u>Qty</u>
01	Top Plate, fuel pump module			A120L6008S	1
02	Base Filter, fuel pump module			A120L6007S	1
03	Seal, fuel pump			A120L6009S	1
03a	Seal, fuel pump		Exige sport 380	A132L6057F	1
04	Regulator, fuel pressure			A132E6339S	1
05	'O' Ring, fuel pressure regulator			A132E6340S	1
06	Sensor, vapour pressure			A132L6027F	1
07	Pump Fuel, with filter	Discard filter supplied		A132E6499H	1
08	Spacer, pump to module			A120L6004S	1
09	Seal, pump to module			A120L6005S	1
10	Filter, fuel pump pickup			A120L6001S	1
11	Clip, star washer			A132L6003S	1
12	Cushion Support, fuel pump			A120L6006S	1
13	Cap, fuel pump module base			A120L6010S	1
14	Sender Assembly, fuel gauge			A120L0020S	1
15	Clip, fuel feed to pump			A132L6024F	2
16	Clamp Plate, fuel pump		Exige sport 380	A138L0110F	1
17	Washer M6 x 12 x 1.4 s/s			A126W4222F	1

EXIGE

**Function Code 44.03 Fuel Pump; Filter, Pipes**

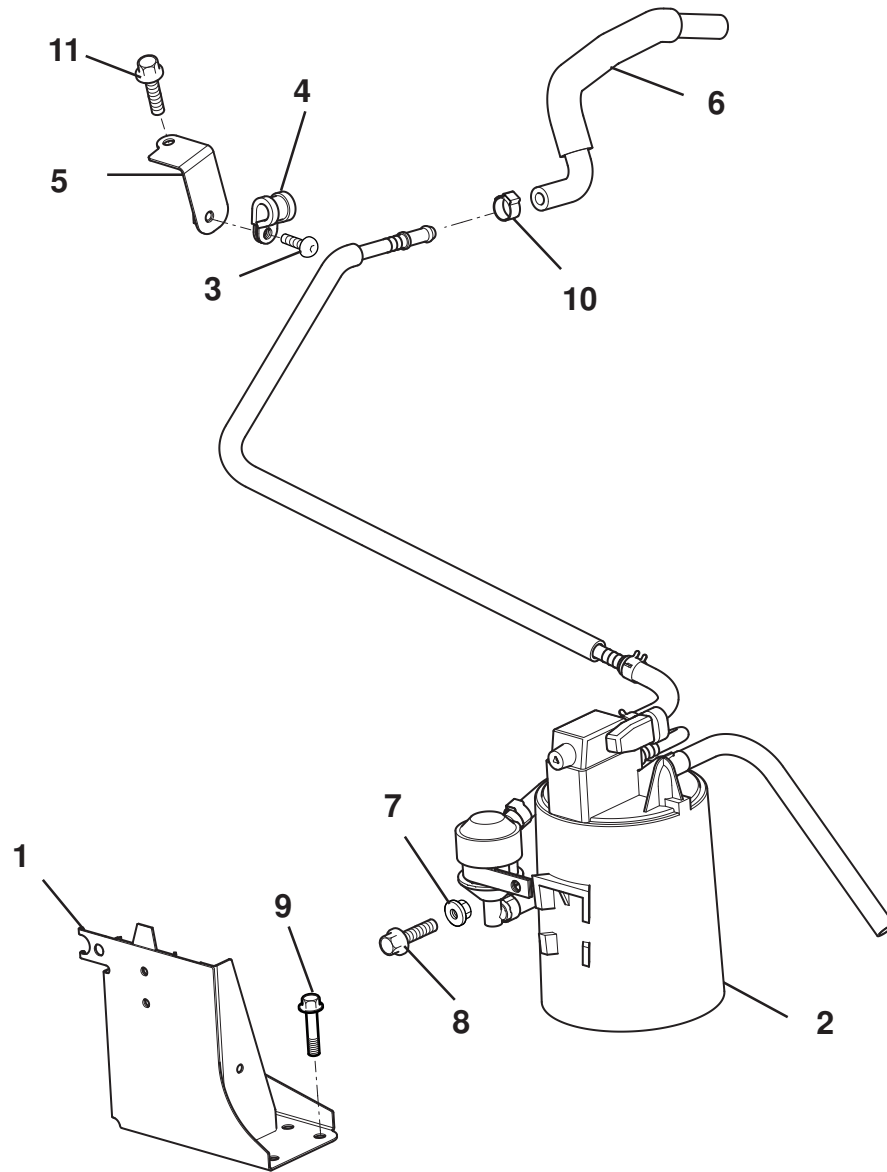
<u>Dep</u>	<u>Part Description</u>	<u>Remarks</u>	<u>Option</u>	<u>Part Number</u>	<u>Qty</u>
18	Clamp Ring, fuel pump			A120L0013H	1
19	Spacer Ring, fuel pump			B121L0031H	1
20	Nyloc Nut, M6, pump to tank			A120L0014H	8
21	Access Panel, fuel pump connections			A120L0046F	1
22	Screw, panel to chassis			A111W7117F	4
23	Fuel Pump Module Assembly		Exige sport 380	A138L0119K	1
24	Fuel Feed Pipe Assembly			A138L0014F	1
24a	Fuel Feed Pipe Assembly		Exige sport 380	A138L0158F	1
25	Pipe Assembly, tank to quick connector			A138L0015F	1
25a	Pipe Assembly, tank to quick connector		Exige sport 380	A138L0149F	1
26	Support Bracket, fuel feed bulkhead			B132L0070F	1
27	Pop Rivet			A082W6512F	2
28	Plate, fuel feed pipe mounting			A138L0024F	1
29	Support Bracket, fuel feed rail			B132L0032F	1
30	Screw M6 x 12 hex flg			A132W5010F	1
31	Mounting Bracket, fuel feed pipe			B138L0025F	1
32	Clamp, fuel pipe no.2			A132E6332S	1
33	Tie Wrap Clip			A116K6020F	4
34	Swivel Clip Tie Wrap			A082W6324F	5
35	Swivel Clip			A082W6587F	1
36	Pipe Clip 10-14			A128W6831F	1



---

**Function Code 44.03 Fuel Pump; Filter, Pipes**

<u>Dep</u>	<u>Part Description</u>	<u>Remarks</u>	<u>Option</u>	<u>Part Number</u>	<u>Qty</u>
37	Grommet			A138L0016H	2
38	Cable Clip			A132W6047F	4
39	Pop Rivet, brackets to boot bulkhead			A089W6297F	3
40	Fuel Pump Controler Assembly		Exige sport 380	A132L6058F	1
41	Nut Nyloc M5 hex flg			A132W3000F	2



**EXIGE**

44.05

*Updated 3rd March 2017*

# Service Parts List

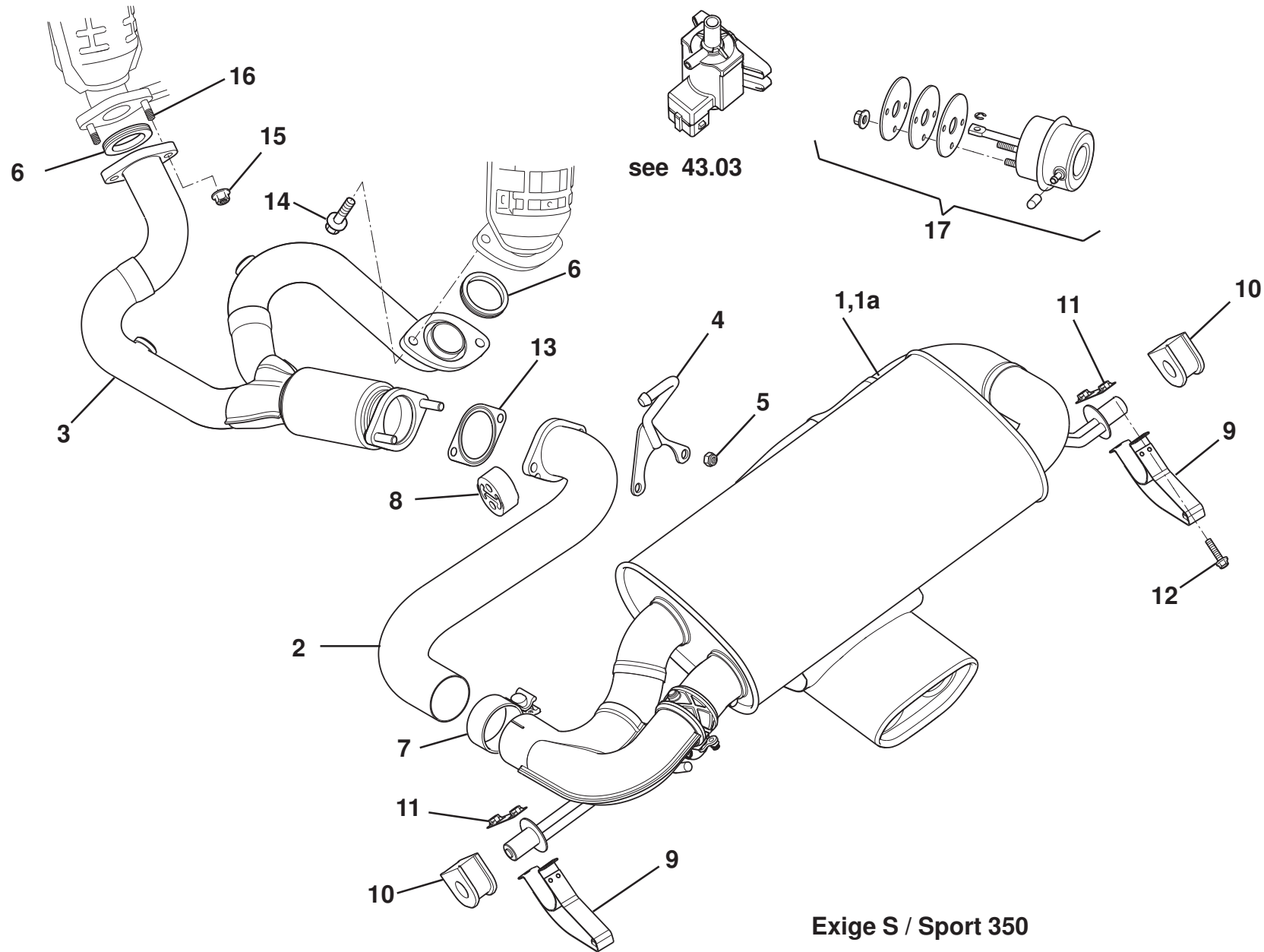
# EXIGE



## Function Code 44.05 Charcoal Canister & Evaporative Loss System.

<u>Dep</u>	<u>Part Description</u>	<u>Remarks</u>	<u>Option</u>	<u>Part Number</u>	<u>Qty</u>
01	Mounting Bracket Assembly, fuel evap. Canister			B138L0001F	1
02	Fuel Evaporator Canister Assembly			A138L0002F	1
03	Screw M6 x 16 but cap s/s blk			A082W7105F	1
04	Clip			A111W6595F	1
05	Pipe Bracket Assmby, cannister to manifold			A138L0028F	1
06	Hose, fuel vapour feed no.2			A132L6008F	1
07	Nut M6 hex flg			A117W3180F	1
08	Screw M6 x 16 hex flg			A132W5003F	1
09	Bolt M6 x 20 hex flg			A117W2203F	3
10	Clip Oetiker 13.3mm s/s			A124W6818F	1
11	Bolt M6 x 16 hex flg			A918W5208F	1

EXIGE

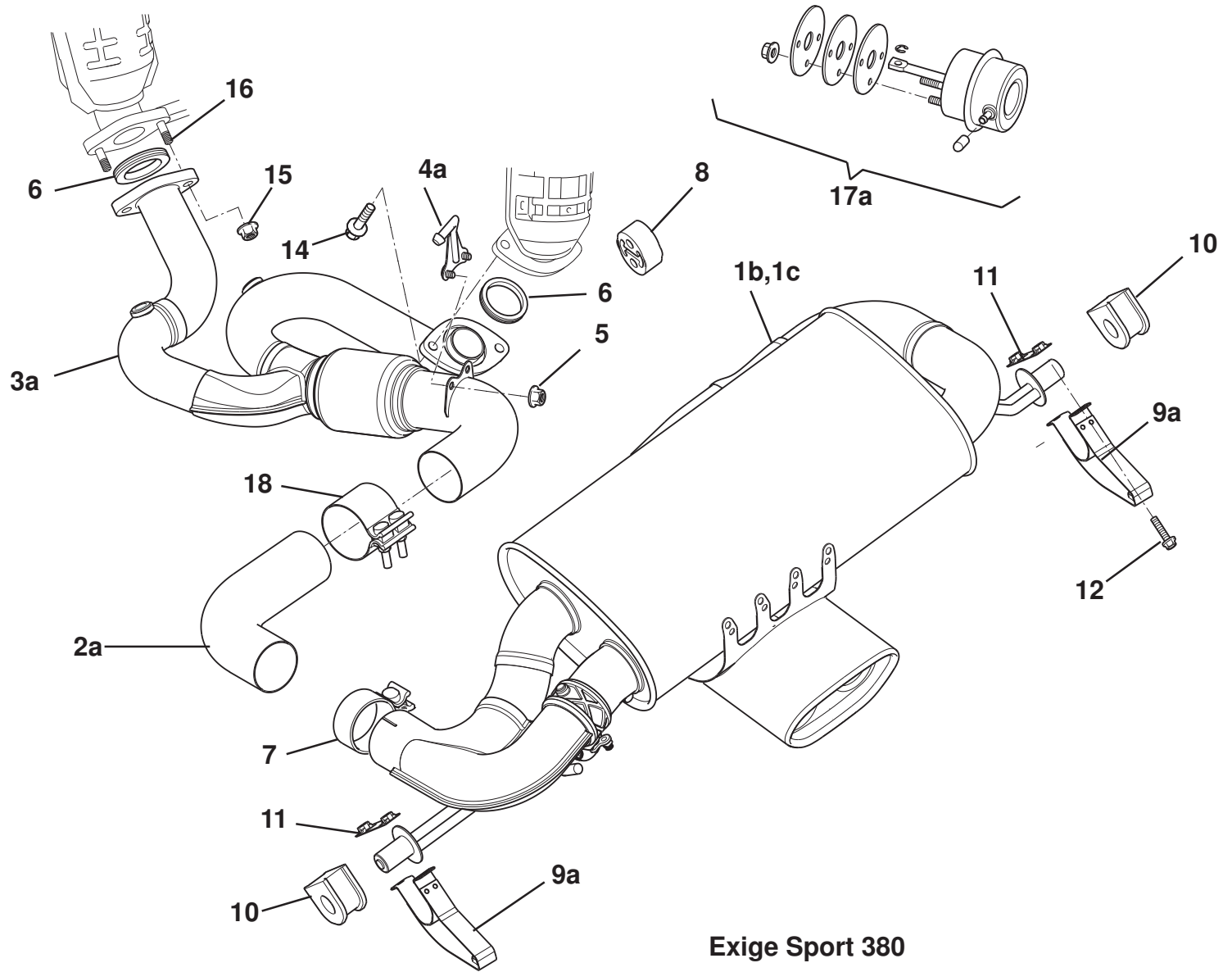


Exige S / Sport 350

**EXIGE**  
45.01 page 1

*Updated 3rd January 2017*





Exige Sport 380

**EXIGE**

45.01 page 2

*Updated 3rd April 2017*

# Service Parts List

# EXIGE



## Function Code 45.01 Exhaust System

<u>Dep</u>	<u>Part Description</u>	<u>Remarks</u>	<u>Option</u>	<u>Part Number</u>	<u>Qty</u>
01	Silencer Assembly		Exige S	A132S0180F	1
01a	Silencer Assembly		Exige S Auto, Exige 350 Man & Auto	A138S0065F	1
01b	Silencer Assembly	Includes item 7a	Exige sport 380	B132S0217F	1
01c	Silencer Assembly, titanium	Includes item 7a	Exige sport 380	B132S0294F	1
02	Pipe Assembly Exhaust, downpipe to silencer			A138S0034F	1
02a	Pipe Assembly Exhaust, downpipe to silencer	Includes item 18	Exige sport 380	A132S0230F	1
03	Downpipe			A132S0110F	1
03a	Downpipe	Includes items 05 & 08a	Exige sport 380	A138S0077F	1
04	Bracket, catalyst to hanger			A132S0121F	1
04a	Bracket, catalyst to hanger		Exige sport 380	A138S0092F	1
05	Nut, M10, lock, copper coated, downpipe to catalyst			A132W3014F	2
06	Gasket, downpipe to manifold			A132E6039S	2
07	Torca Clamp, pipe assy to silencer			A120S6000S	1
07a	Torca Clamp, pipe assy to silencer		Exige sport 380	A132S0228F	1
08	Exhaust Hanger, catalyst mounting			A132S6004F	1
09	Exhaust Hanger, silencer mounting			B138S0023F	2
09a	Exhaust Hanger, silencer mounting		Exige sport 380	A138S0093F	2
10	Exhaust mounting			A132S0171F	2

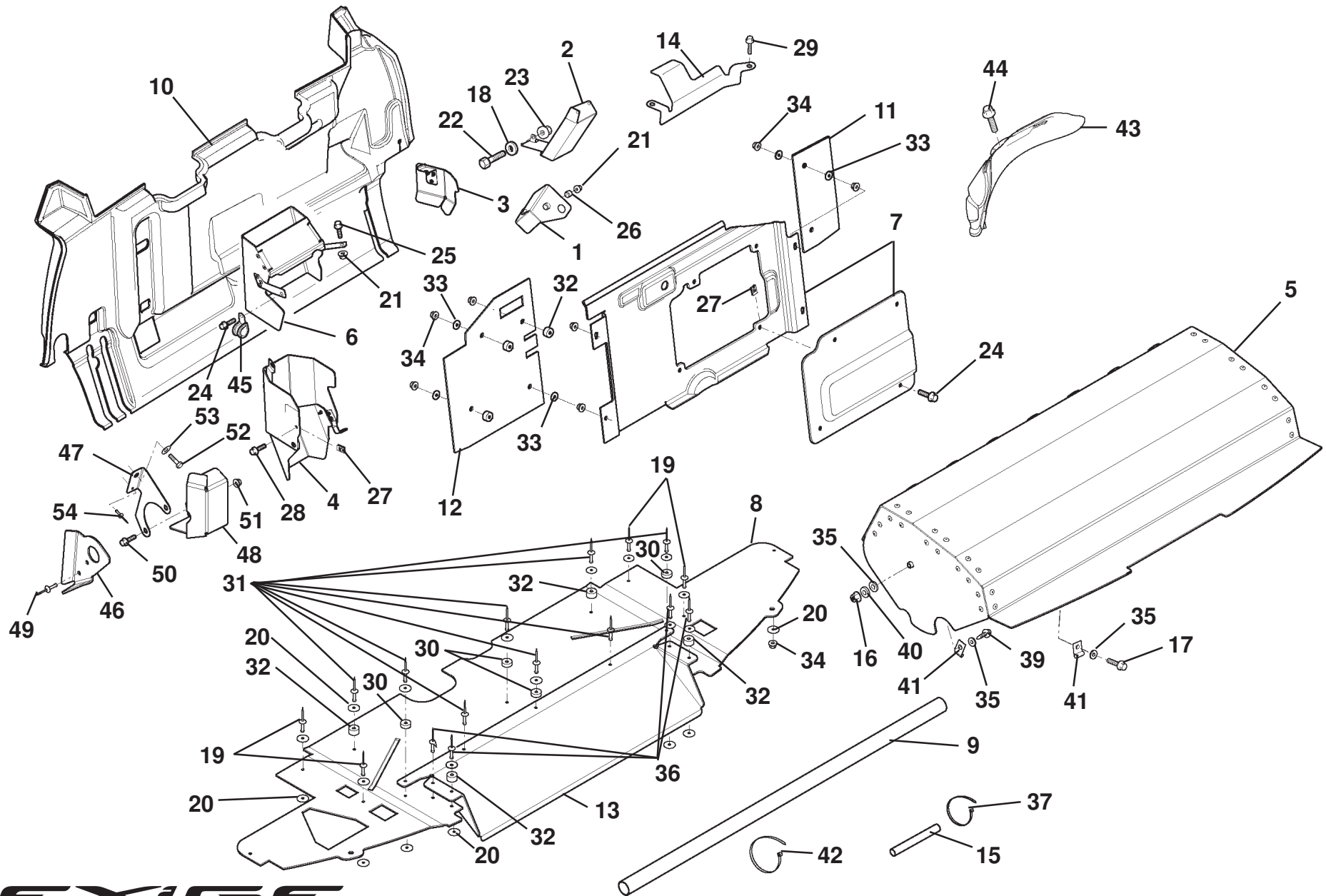
EXIGE

---

**Function Code 45.01 Exhaust System**

<u>Dep</u>	<u>Part Description</u>	<u>Remarks</u>	<u>Option</u>	<u>Part Number</u>	<u>Qty</u>
11	Bolt, M8 x 20, hex. flg. hd., strap to subframe			A132W5005F	4
12	Nutplate, M8, strap to subframe			A132S0063F	2
13	Gasket, downpipe to main catalytic converter pipe			A132S0062F	1
14	Bolt, RH manifold to downpipe			A132E6362S	2
15	Nut, LH manifold to downpipe			A132E6504S	2
16	Stud, LH manifold to downpipe	Also see section 40.21		A132E6153S	2
17	Valve Actuator Kit			TBC	1
17a	Valve Actuator Kit		Exige sport 380	A132S6020S	1
18	Clamp		Exige sport 380	A132S0265F	1





**EXIGE**

**45.05**

*Updated 5th January 2015*

# Service Parts List

# EXIGE



## Function Code 45.05 Heatshields

<u>Dep</u>	<u>Part Description</u>	<u>Remarks</u>	<u>Option</u>	<u>Part Number</u>	<u>Qty</u>
01	Heatshield Assembly, rear engine mount			C132S0011F	1
02	Heatshield Assembly, driveshaft bearing			B132S0084	1
03	Heatshield Assembly, alternator			B132S0095F	1
04	Heatshield Assembly, front catalyst			B132S0243F	1
05	Heatshield Assembly, silencer			C138S0025F	1
06	Heatshield Assembly, vent duct			B138S0015F	1
07	Heatshield Assembly, bootbox front			A138S0003F	1
08	Heatshield, bootbox lower			B138S0005F	1
09	Heatshield, anti roll bar sleeve	Also for gear cables		B132S0119F	3
10	Insulation, rear bulkhead			A138U0008F	1
11	Heatshield, bootbox front RH			A138S0042F	1
12	Heatshield, bootbox front LH			A138S0043F	1
13	Heatshield Scoop, bootbox lower			A138S0040F	1
14	Heatshield, rear cylinder head			A138S0020F	1
15	Heatshield, wheel speed sensor			A138S0053F	2
16	Nut M6 hex flange			A117W3180F	2
17	Screw M6 x 20 hex flg			A132W5004F	6
18	Washer 7/16 x 7/8			B120W4199F	2

EXIGE

**Function Code 45.05 Heatshields**

<u>Dep</u>	<u>Part Description</u>	<u>Remarks</u>	<u>Option</u>	<u>Part Number</u>	<u>Qty</u>
19	Pop Rivet			A111W6614F	4
20	Washer Flat M5 x 25 x 1.4 black			A082W4098	30
21	Nut M8 hex flg			A132W3006F	2
22	Setscrew M10 x 50 hex hd			A132W2045F	2
23	Nut M10 hex flg			A132W3007F	2
24	Bolt M6 x 14 hex flg			A116W5233F	5
25	Screw M8 x 25 hex flg			A132W5006F	1
26	Spacer, heatshield rear engine mounting			A117S0053F	1
27	Speed nut M6			A117W6715F	5
28	Screw M6 x 20 hex flg			A132W5004F	1
29	Screw M6 x 12 hex flg			A132W5010F	2
30	Spacer, heatshield bootbox lower			A138S0041F	4
31	Pop Rivet			A138W6002F	8
32	Spacer, heatshield bootbox front			B138S0045K	4
33	Washer Flat 3/16 x 3/4 x 16			B075W4009Z	9
34	Nut M5 hex flg			A138W3005F	12
35	Washer M6 x18 x 1			B082W4018F	11
36	Pop Rivet			A111W6613F	4
37	Cable Tie, wheel speed sensor heatshield			A132W6095F	2
38	Nut M5			A138W3005F	2
39	Screw M6 x 25 hex flg			A132W5014F	3



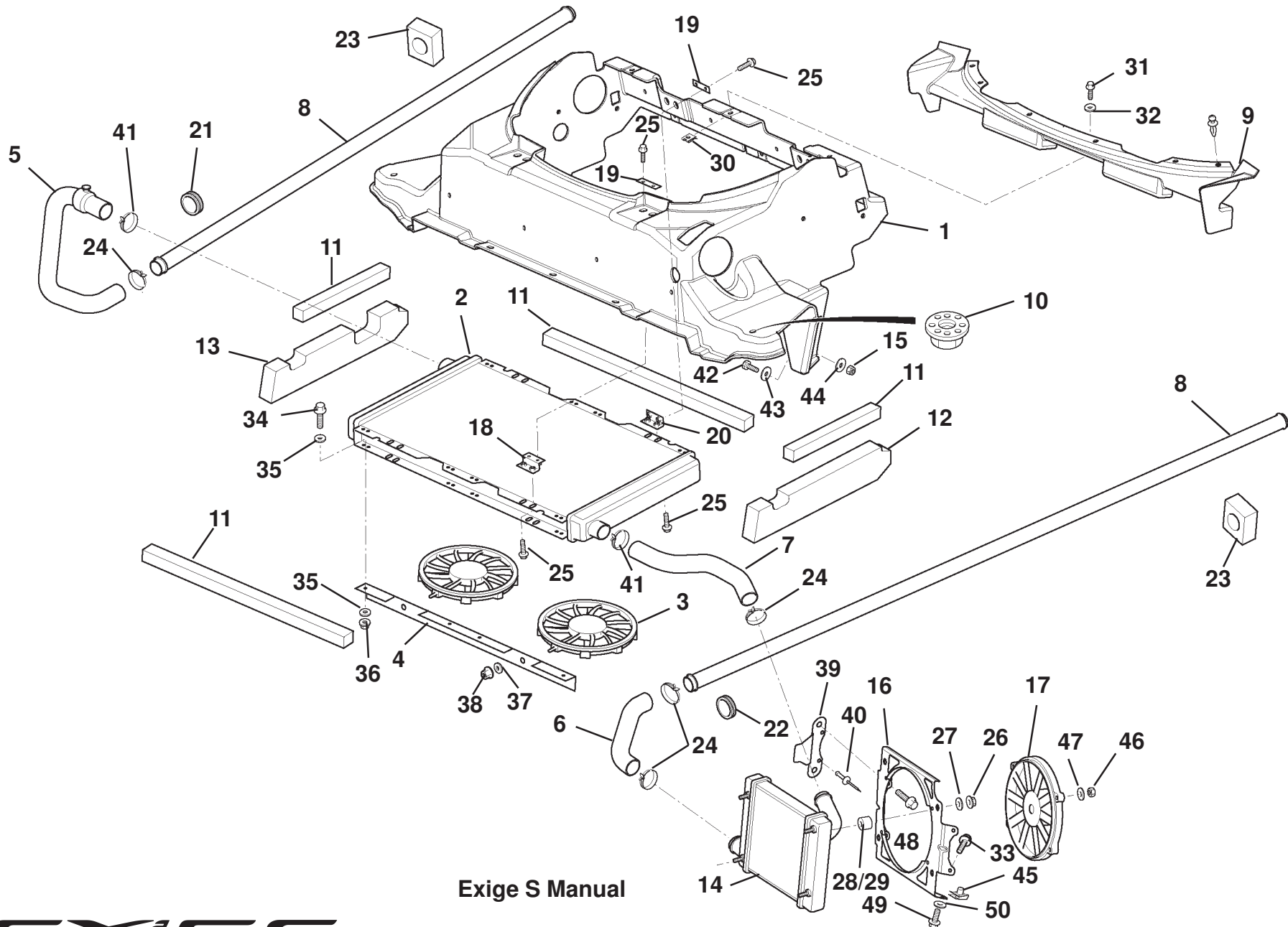
---

**Function Code 45.05 Heatshields**

<u>Dep</u>	<u>Part Description</u>	<u>Remarks</u>	<u>Option</u>	<u>Part Number</u>	<u>Qty</u>
40	Spacer			A907E0696K	2
41	'P' Clip			A132W6090F	4
42	Cable Tie, gear cable heatshield			A075W6038F	2
43	Heatshield, exhaust manifold, LH*			A132E6317S	1
44	Flange bolt/washer, exhaust manifold heatshield, LH			A132E6390S	3
45	Clip, O2 Sensor			A111W6595F	1
46	Heatshield Rear Transmission Mount		Auto	A132S0114F	1
47	Bracket, heatshield driveshaft		Auto	A132S0124F	1
48	Heatshield, driveshaft bearing		Auto	B132S0084F	1
49	Pop Rivet 3/16			A089W6297F	2
50	Screw M6 x 20 hex flg hd			A132W5004F	2
51	Rivnut M6			A132A6006F	2
52	Screw M10 x 20 hex hd			A075W1079Z	1
53	Washer Flat M10 x 20.5 x 1.8			A075W4024Z	1
54	Pop Rivet 4 x 10			A132W6024F	1

\*RH heatshield supplied with manifold

---



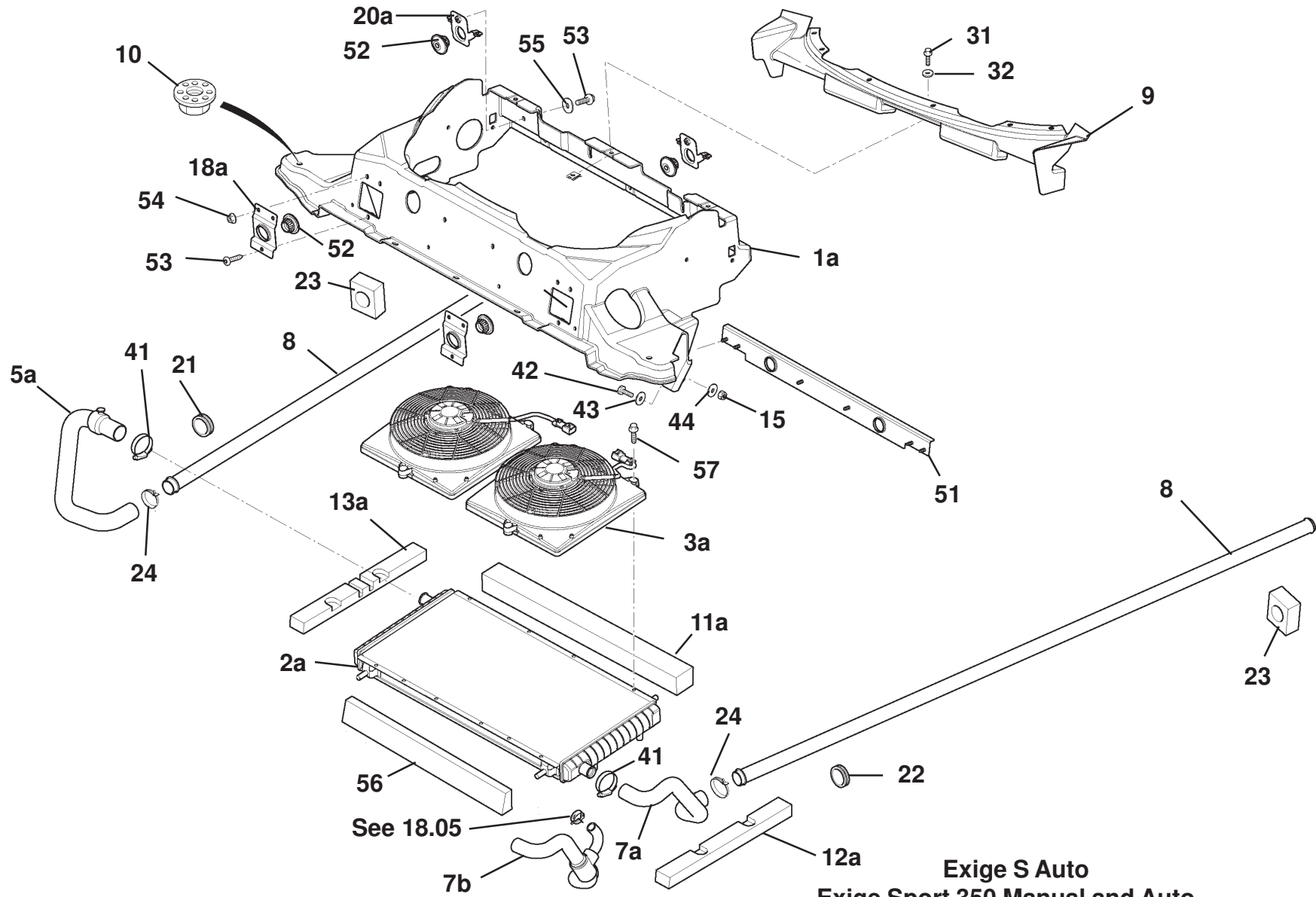
Exige S Manual

**EXIGE**

46.01 page 1

Updated 1st April 2016





**Exige S Auto**  
**Exige Sport 350 Manual and Auto**

# Service Parts List

# EXIGE



## Function Code 46.01 Engine Cooling System & Fan

<u>Dep</u>	<u>Part Description</u>	<u>Remarks</u>	<u>Option</u>	<u>Part Number</u>	<u>Qty</u>
01	Panel Radiator Surround		Exige S	D138B0008F	1
01a	Panel Radiator Surround	TBC	Exige S Auto, Exige Sport 350 Man & Auto	A138B0373F	1
02	Radiator Assembly			C117K0021F	1
02a	Radiator Assembly		Exige S Auto, Exige Sport 350 Man & Auto	A138K0075H	1
02b	Radiator Assembly	TBC	Auto gulf states	A138K0120F	1
03	Radiator Cooling Fan			A111M6070S	2
03a	Radiator Cooling Fan & Shroud Assembly		Exige S Auto, Exige Sport 350 Man & Auto	A138K0076H	2
04	Bracket, fans to radiator, heater only	See 18.03 for A/C		A117K0025F	2
05	Hose, radiator front RH			A138K0047F	1
05a	Hose, radiator front RH		Exige S Auto, Exige Sport 350 Man & Auto	A138K0079F	1
06	Hose Inlet, frt cnr lwr			A138K0004F	1
07	Hose, frt cnr to cenral radiator		Exige S manual	A138K0003F	1
07a	Hose, radiator front LH		Exige S Auto	A138K0078F	1
07b	Hose, radiator front LH		Exige Sport 350	A138K0122F	
08	Pipe Coolant Feed & Return			B116K0018F	2
09	Panel Radiator Shroud			B138B0009F	1

EXIGE

**Function Code 46.01 Engine Cooling System & Fan**

<u>Dep</u>	<u>Part Description</u>	<u>Remarks</u>	<u>Option</u>	<u>Part Number</u>	<u>Qty</u>
10	Captive Nut, M8, big hd., housing to clamshell			B111W6592F	2
11	Foam, end seal	Cut into 2 equal sections for rad end seal		A117B0446F	3
11a	Foam, end seal	TBC	Exige S Auto, Exige Sport 350 Man & Auto	A138B0332F	1
12	Foam, end seal LH	Remove pre-cut slots		A138B0108F	1
12a	Foam, end seal LH	TBC	Exige S Auto, Exige Sport 350 Man & Auto	A138B0330F	1
13	Foam, end seal RH	Remove pre-cut slots		A138B0109F	1
13a	Foam, end seal RH	TBC	Exige S Auto, Exige Sport 350 Man & Auto	A138B0331F	1
14	Auxillary Radiator Assembly			A138K0001F	1
15	Nyloc Nu,t M6, surround to crash structure			A075W3009Z	2
16	Bracket, side cooler			B138B4091F	1
17	Auxillary Fan, suction			A138K6014F	1
18	Bracket, radiator to housing front			A117K0005F	2
18a	Bracket, radiator to housing front	TBC	Exige S Auto, Exige Sport 350 Man & Auto	A138B0352F	2
19	Plate Centre, radiator mounting			A138K0027F	5
20	Bracket Assembly, rear radiator mounting			A138K0028F	3
20a	Bracket Assembly, rear radiator mounting	TBC	Exige S Auto, Exige Sport 350 Man & Auto	A138B0351F	2
21	Grommet, pipe through chassis front, LH			A111K6006F	1



**Function Code 46.01 Engine Cooling System & Fan**

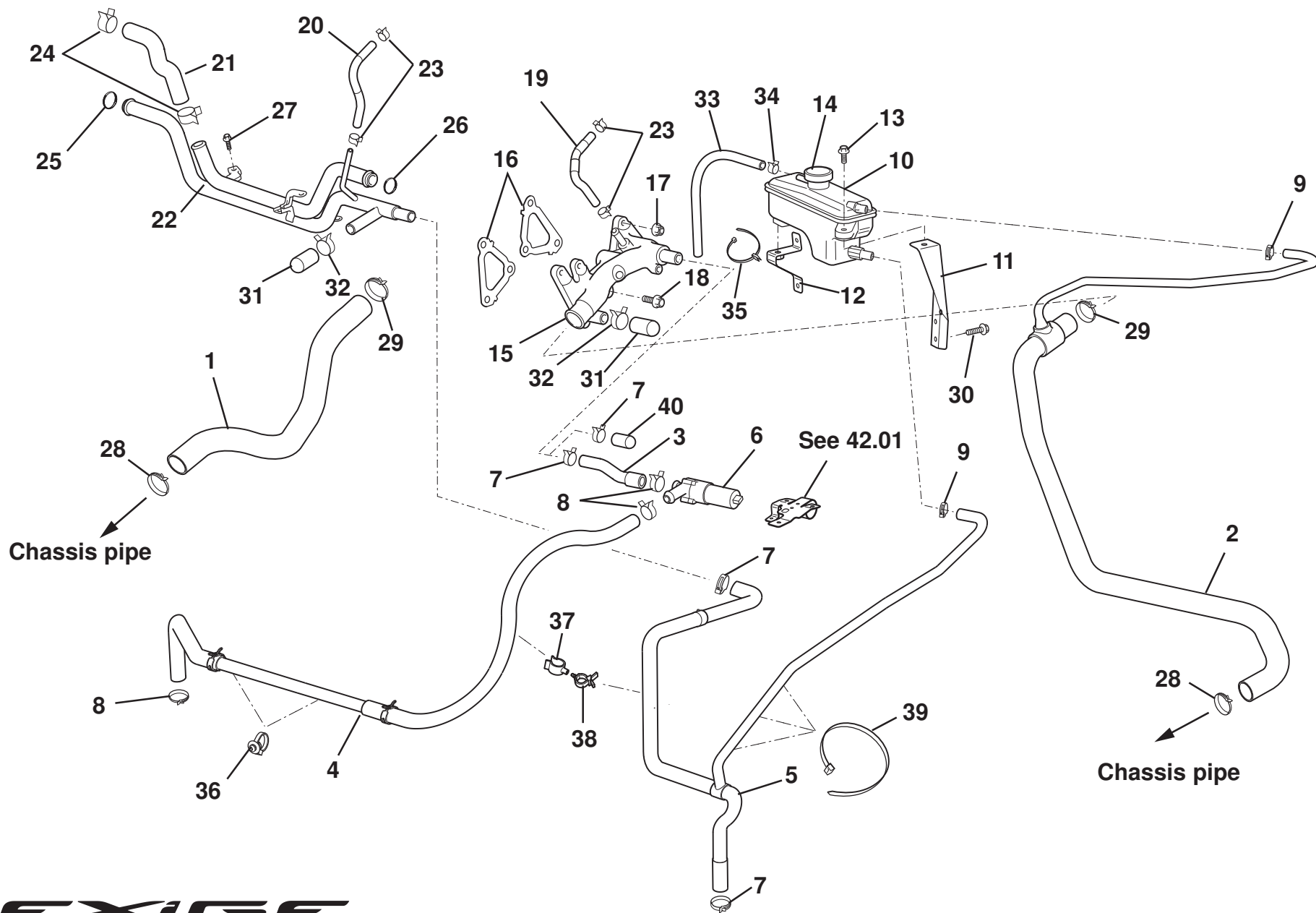
<u>Dep</u>	<u>Part Description</u>	<u>Remarks</u>	<u>Option</u>	<u>Part Number</u>	<u>Qty</u>
22	Grommet, pipe through chassis front, RH			A082L6159Z	1
23	Seal, pipe to chassis			A111A0033F	4
24	Clamp Hose			A120W6784F	4
25	Bolt M8 x 16 hex flg hd.			B117W2202F	16
26	Nut Nyloc M8, auxillary radiator			A907E6284F	4
27	Washer Flat M8 x 20.5 x 1.4, auxillary radiator			A082W4165F	4
28	Compression Sleeve, auxillary radiator			A132K6006F	4
29	Bush, auxillary radiator			A132K6005F	4
30	Clip Speed Fix, radiator shroud			B100W6372F	3
31	Screw M5 x 16, radiator shroud			A111W1163F	3
32	Washer Flat, 3/16 x 3/4 x 16, radiator shroud			B075W4009Z	3
33	Screw M6 x 20 hex flg. side cooler bracket			A132W5004F	2
34	Screw, M6 x 16, hex. hd., bracket to radiator			A075W1028Z	8
35	Washer Flat, M6 x 12, bracket to radiator			A075W4013Z	16
36	Nyloc Nut, M6, bracket to radiator			A075W3009Z	8
37	Nyloc Nut, M5, fan to bracket			A075W3008Z	4
38	Washer Flat, M5 x 18 x 1.4, fan to bracket			B075W4009Z	4
39	Bracket Assembly			A138B0148F	1
40	Rivet, bracket to crash structure			A132W6024F	2
41	Hose Clip, 30-35mm			A138W6106F	2
42	Screw M6 x 25 hex hd, surround to crash structure			A075W1031Z	2



**Function Code 46.01 Engine Cooling System & Fan**

<u>Dep</u>	<u>Part Description</u>	<u>Remarks</u>	<u>Option</u>	<u>Part Number</u>	<u>Qty</u>
43	Washer Flat, 3/16 x 3/4 s/s, surround to crash structure			B082W4009F	2
44	Washer Flat, M6 x 18 x 1, surround to crash structure			B082W4018F	2
45	Speed Clip M5, side cooler bracket			B100W6372F	2
46	Nut Nyloc M6, thin, fan			A907E6285F	4
47	Washer Flat, 6 x 15 x 1.5, fan			A075W4015Z	4
48	Screw M8 x 20 hex flg, side cooler bracket			A132W5005F	2
49	Screw M5 x 16, hex s/s, side cooler bracket			A111W1163F	2
50	Washer Flat 3/16 x 3/4 x16g, side cooler bracket			B075W4009Z	2
51	Assembly Rein. Bracket,radiator to surround	TBC	Exige S Auto, Exige Sport 350 Man & Auto	A138B0397F	1
52	Bush, radiator mounting		Exige S Auto, Exige Sport 350 Man & Auto	A132K0322F	4
52a	Bush, radiator mounting	TBC	Auto gulf states	A138B0437F	4
52c	Bush Insert	TBC	Auto gulf states	A138B0436F	4
53	Screw M6 x 16 torx pan pozi			A117W2213F	8
54	Nut M6, flg			A117W3180F	6
55	Washer M6 x 15 x 1.5 s/s blk			A082W4133F	6
56	Foam, end seal front centre	TBC	Exige S Auto, Exige Sport 350 Man & Auto	A138B0329F	1
57	Screw M6 x 25 hex flg hd, fan shroud			A132W5014F	6





**EXIGE**

46.02

*Updated 1st April 2016*

# Service Parts List

# EXIGE



## Function Code 46.02 Engine Cooling System

<u>Dep</u>	<u>Part Description</u>	<u>Remarks</u>	<u>Option</u>	<u>Part Number</u>	<u>Qty</u>
01	Hose Inlet			A138K0017F	1
02	Hose Outlet			A138K0018F	1
03	Assembly Hose, recirc pump		Exige S	A132P0004F	1
04	Hose Feed, heater to recirc pump	Also see 18.05	Exige S	B138P0017F	1
05	Hose Return, heater to engine	Also see 18.05		A138P0009F	1
06	Recirculation Pump		Exige S	A117K0013F	1
07	Hose Clamp, 16-25mm			A079W6018F	4
08	Hose Clamp, 27mm, heater feed/return hoses		Exige S	A116K6016F	3
09	Hose Clamp, 17.7mm, hose to header tank			A120W6739F	2
10	Tank Assembly, reserve, radiator pressure system			A132E6312S	1
11	Bracket Assembly Header Tank Left			A138K0021F	1
12	Bracket Assembly Header Tank Right			A138K0022F	1
13	Screw, M8 x 20, hex. flg. hd., header tank to bracket			A132W5005F	2
14	Cap, header tank 108kPa			A120E6341S	1
15	Water Outlet			A132E6257S	1
16	Gasket, water outlet to cylinder head			A132E6259S	2
17	Nut, flange, water outlet to head	For stud see 40.05		A132E6473S	4
18	Bolt, hex.flg. hd., water outlet to head			A132E6467S	2

EXIGE

**Function Code 46.02 Engine Cooling System**

<u>Dep</u>	<u>Part Description</u>	<u>Remarks</u>	<u>Option</u>	<u>Part Number</u>	<u>Qty</u>
19	Hose, water by-pass No.2, outlet to throttle body			A132E6311S	1
20	Hose, water by-pass No.3, throttle body to water inlet pipe			A132E6268S	1
21	Hose, water by-pass No.1, water outlet to water inlet			A132E6267S	1
22	Pipe Assembly, water inlet			A132E6269S	1
23	Hose Clip, water by-pass No. 2 & No. 3			A132E6271S	4
24	Hose Clip, water by-pass No. 1			A132E6270S	2
25	'O' Ring, water inlet pipe to water inlet housing			A132E6273S	1
26	'O' Ring, water outlet housing to by-pass pipe			A132E6272S	1
27	Bolt, hex.flg. hd., water inlet pipe retention			A132E6471S	2
28	Clamp Hose, 40mm			A116K6015F	2
29	Clamp Hose			A120W6784F	2
30	Bolt M8 x 16, hex flg, header tank bracket			A132W5013F	2
31	Blanking Cap			A132E0080F	2
32	Clip			A132E6091H	2
33	Hose Overflow		Exige S	A132K0053F	1
34	Clip Hose			A124W6818F	1
35	Edge Clip Cable Tie			A126W6894F	1
36	Tie Wrap Clip		Exige S	A116K6020F	2
37	Swivel Clip Tie Wrap			A082W6324F	1
38	Swivel Clip Female			A089W6287F	1
39	Cable Tie			A132W6095F	3





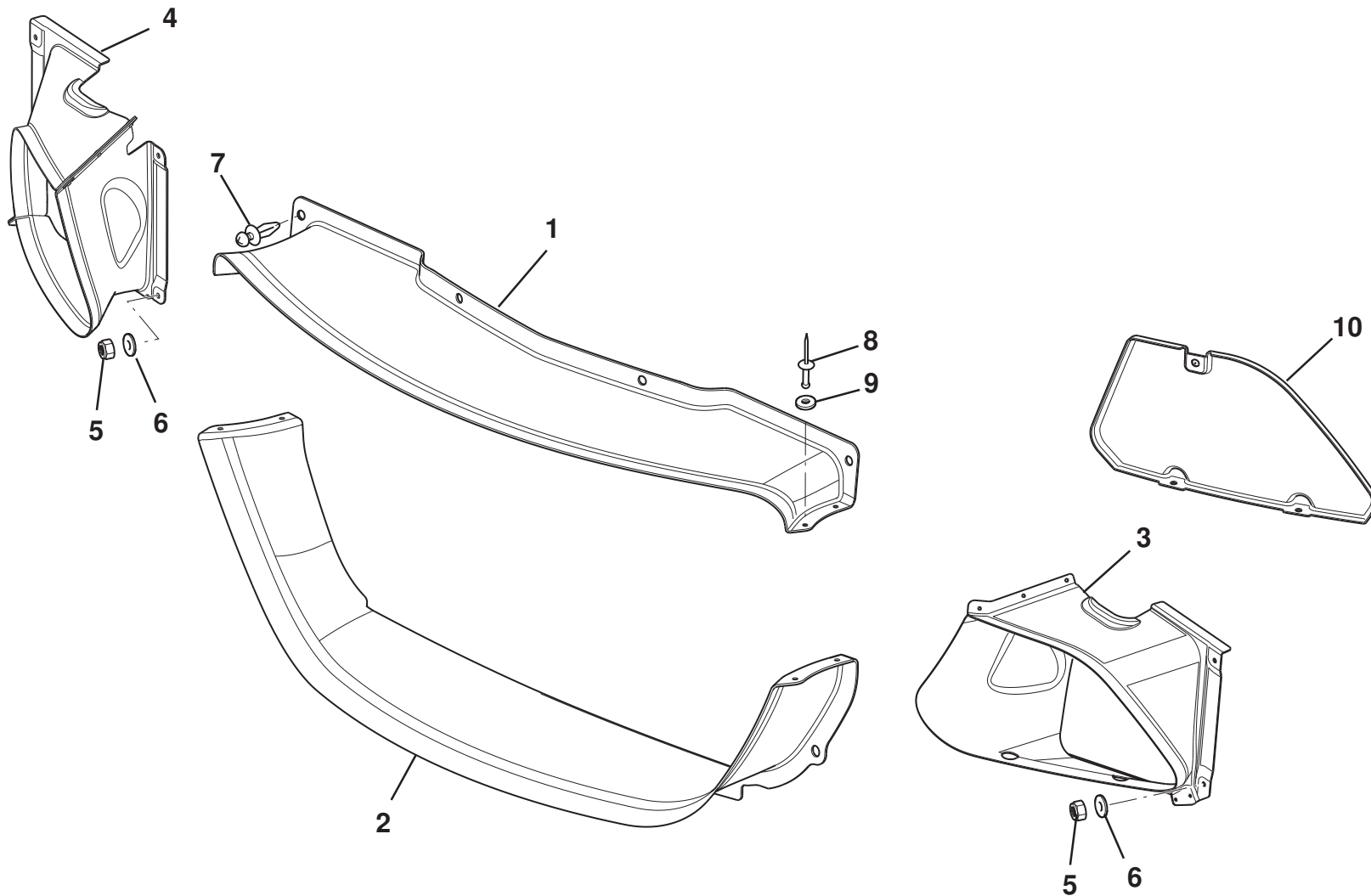
---

**Function Code 46.02 Engine Cooling System**

<u>Dep</u>	<u>Part Description</u>	<u>Remarks</u>	<u>Option</u>	<u>Part Number</u>	<u>Qty</u>
40	Blanking Cap		Exige Sport 350	A132E0080F	1

---





**EXIGE**

46.04

*Updated 3rd March 2017*

# Service Parts List

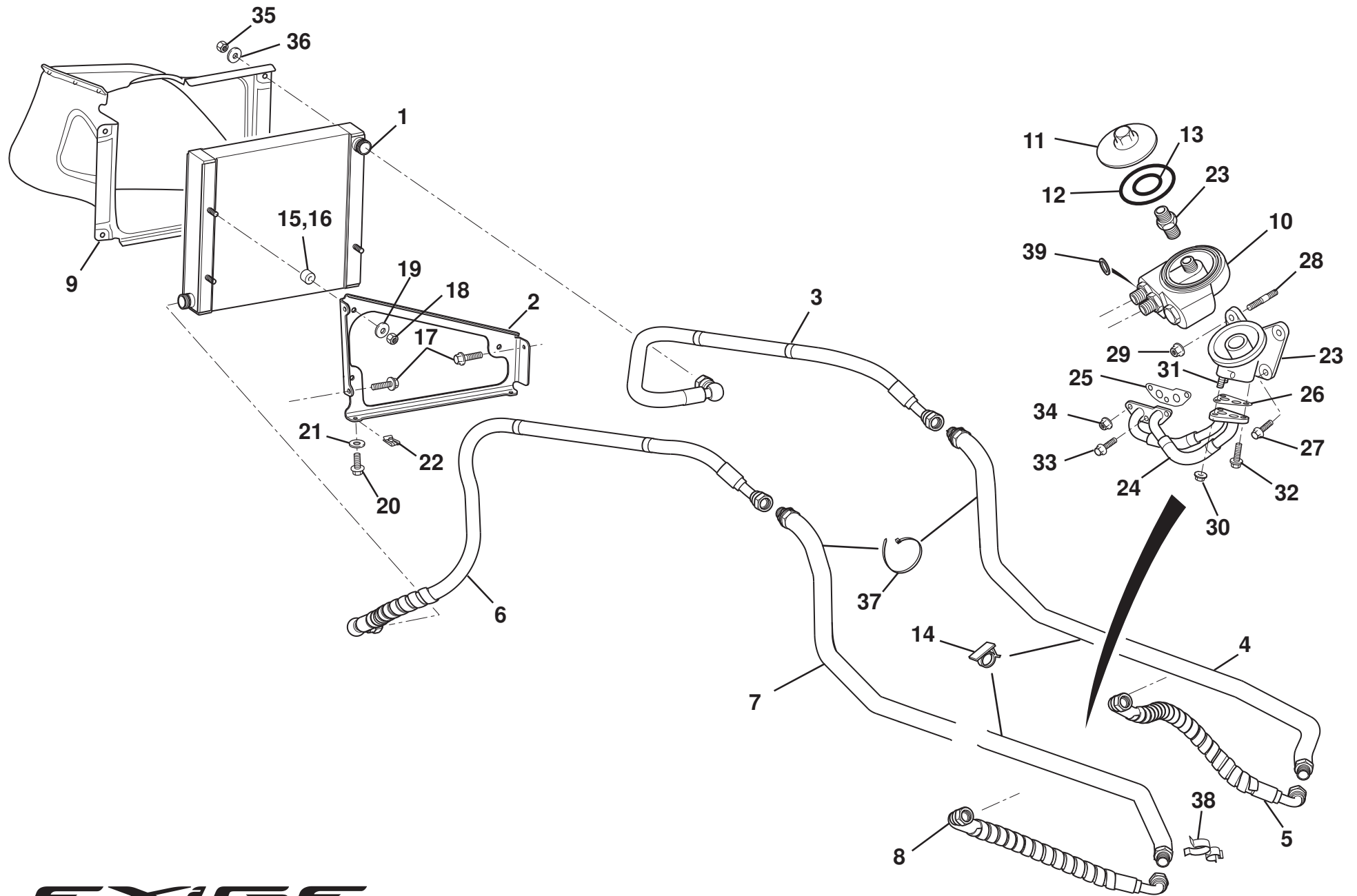
# EXIGE



## Function Code 46.04 Front Ducts

<u>Dep</u>	<u>Part Description</u>	<u>Remarks</u>	<u>Option</u>	<u>Part Number</u>	<u>Qty</u>
01	Duct Centre Cooler Upper			A138B0046F	1
02	Duct Centre Cooler Lower			A138B0047F	1
03	Duct Assembly Side Cooler LH	Auxillary radiator		A138B4007J	1
03a	Duct Assembly Side Cooler LH	Transmission oil cooler	Auto	A138B0410J	1
04	Duct Assembly Side Cooler RH			A138B4008J	1
05	Nut Nyloc M6, duct side cooler			A075W3009Z	4
06	Washer flat, 6 x 15 x 1.5, duct side cooler			A075W4015Z	4
07	Scrivet, panel radiator shroud/ centre duct			A120W6848F	13
08	Rivet, centre duct			A132W6024F	4
09	Washer M4, centre duct			A082W4099F	4
10	Blanking Plate, manual transmission		Sport 380	A138U0142F	1

EXIGE



**EXIGE**

46.07

*Updated 1st November 2013*

# Service Parts List

# EXIGE



## Function Code 46.07 Single Oil Cooler System Engine

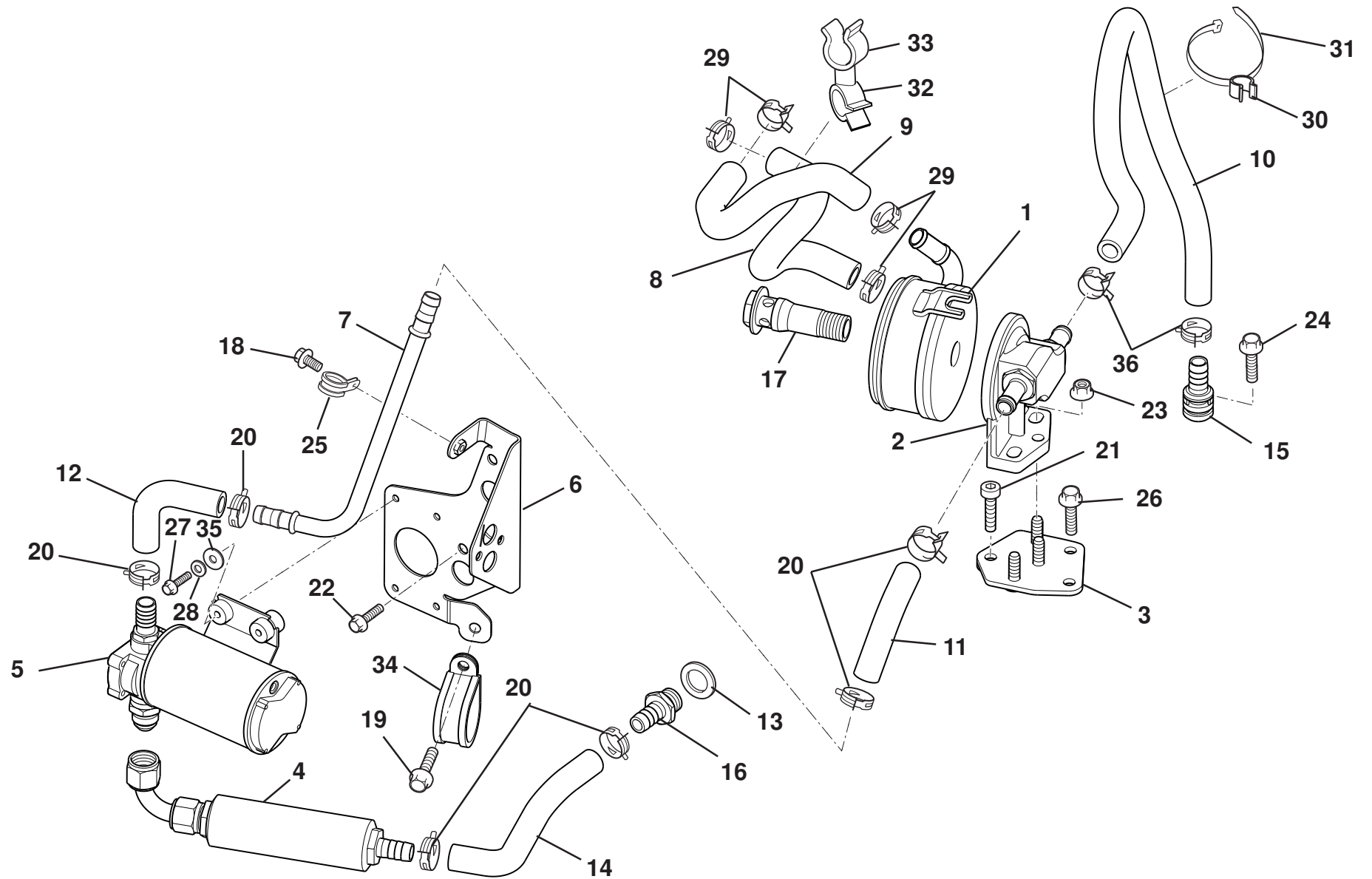
<u>Dep</u>	<u>Part Description</u>	<u>Remarks</u>	<u>Option</u>	<u>Part Number</u>	<u>Qty</u>
01	Radiator Assembly, oil cooler			A138K0002F	1
02	Bracket Side Cooler Mounting			A138B4092F	1
03	Hose Assembly Return Front. oil cooler			A138K0030F	1
04	Hose Assembly Return. oil cooler			A138K0034F	1
05	Hose Assembly Return Rear. oil cooler			B138K0033F	1
06	Hose Assembly Feed Front. oil cooler			B138K0031F	1
07	Hose Assembly Feed. oil cooler			A138K0035F	1
08	Hose Assembly Feed Rear. oil cooler			B138K0032F	1
09	Duct Assembly Side Cooler			A138B4008J	1
10	Sandwich Plate Assembly , with thermostat			B120K6001F	1
11	Cap, sandwich plate			A132E0068F	1
12	'O' Ring, sandwich plate outer			A132E0070F	1
13	'O' Ring, sandwich plate inner			A132E0071F	1
14	Edge Clip, oil cooler hose			A126W6896F	2
15	Compression Sleeve, oil cooler			A132K6006F	3
16	Bush, oil cooler			A132K6005F	3
17	Screw M8 x 20 hex flg, side cooler bracket			A132W5005F	3
18	Nut Nyloc M8, side cooler bracket			A907E6284F	3

EXIGE

**Function Code 46.07 Single Oil Cooler System Engine**

<u>Dep</u>	<u>Part Description</u>	<u>Remarks</u>	<u>Option</u>	<u>Part Number</u>	<u>Qty</u>
19	Washer Flat M8 x 20 x 1.4, side cooler bracket			A082W4165F	3
20	Screw M5 x 16, hex s/s, side cooler bracket			A111W1163F	2
21	Washer Flat 3/16 x 3/4 x16g, side cooler bracket			B075W4009Z	3
22	Speed Clip M5, side cooler bracket			B100W6372F	2
23	Housing			A132E6086H	1
24	Hose Assembly, oil feed and return			A132E6085H	1
25	Gasket, hose assembly to sump			A132E0060S	1
26	Gasket, hose assembly to housing			A132E6087H	1
27	Screw, hex. flg. hd., housing to block			A132E6081H	2
28	Stud, housing to block			A132E6082H	1
29	Nut, flange., housing to block			A132E6474S	1
30	Nut, flange, hose assembly to housing			A132E6474S	3
31	Stud, hose assembly to housing			A132E6116S	2
32	Bolt M8 x 25, hex. flg. hd., hose assembly to housing			A132W5006F	1
33	Bolt M8 x 25, hex. flg. hd., hose assembly to sump			A132W5006F	1
34	Nut, flange, hose assembly to sump			A132E6474S	2
35	Nut Nyloc M6, duct side cooler			A075W3009Z	4
36	Washer flat, 6 x 15 x 1.5, duct side cooler			A075W4015Z	4
37	Cable Tie. oil cooler hose			A132W6095F	2
38	Clip Double			A132W6086F	1
39	Bonded Seal, sandwich plate			A120K6013S	2





**EXIGE**

46.09

*Updated 3rd January 2017*

# Service Parts List

# EXIGE



## Function Code 46.09 Oil Cooler System Manual Transmission

<u>Dep</u>	<u>Part Description</u>	<u>Remarks</u>	<u>Option</u>	<u>Part Number</u>	<u>Qty</u>
01	Oil Cooler			A132K0395F	1
02	Housing Oil Cooler			A132K0398F	1
03	Bracket Assembly, oil cooler housing			A132K0407F	1
04	Filter & Check Valve			B132K0412F	1
05	Oil Pump			B132K0388F	1
06	Bracket Assembly, oil pump			A132K0423F	1
07	Pipe, cooler to pump			A132K0420F	1
08	Hose Feed			A132K0385F	1
09	Hose Return			A132K0384F	1
10	Hose, oil cooler to g/box			B132K0408F	1
11	Hose, oil cooler to pipe			A132K0421F	1
12	Hose, pump to pipe			A132K0419F	1
13	Sealing Washer, self centerng			A132K6017F	1
14	Hose, filter to g/box			A132K0418F	1
15	Plug, oil return to g/box			A132K0386F	1
16	Fitting, M18 to M12			A132K0415F	1
17	Banjo Bolt			A132K0396F	1
18	Screw M5 x 12, hex flg hd			A132W5002F	1

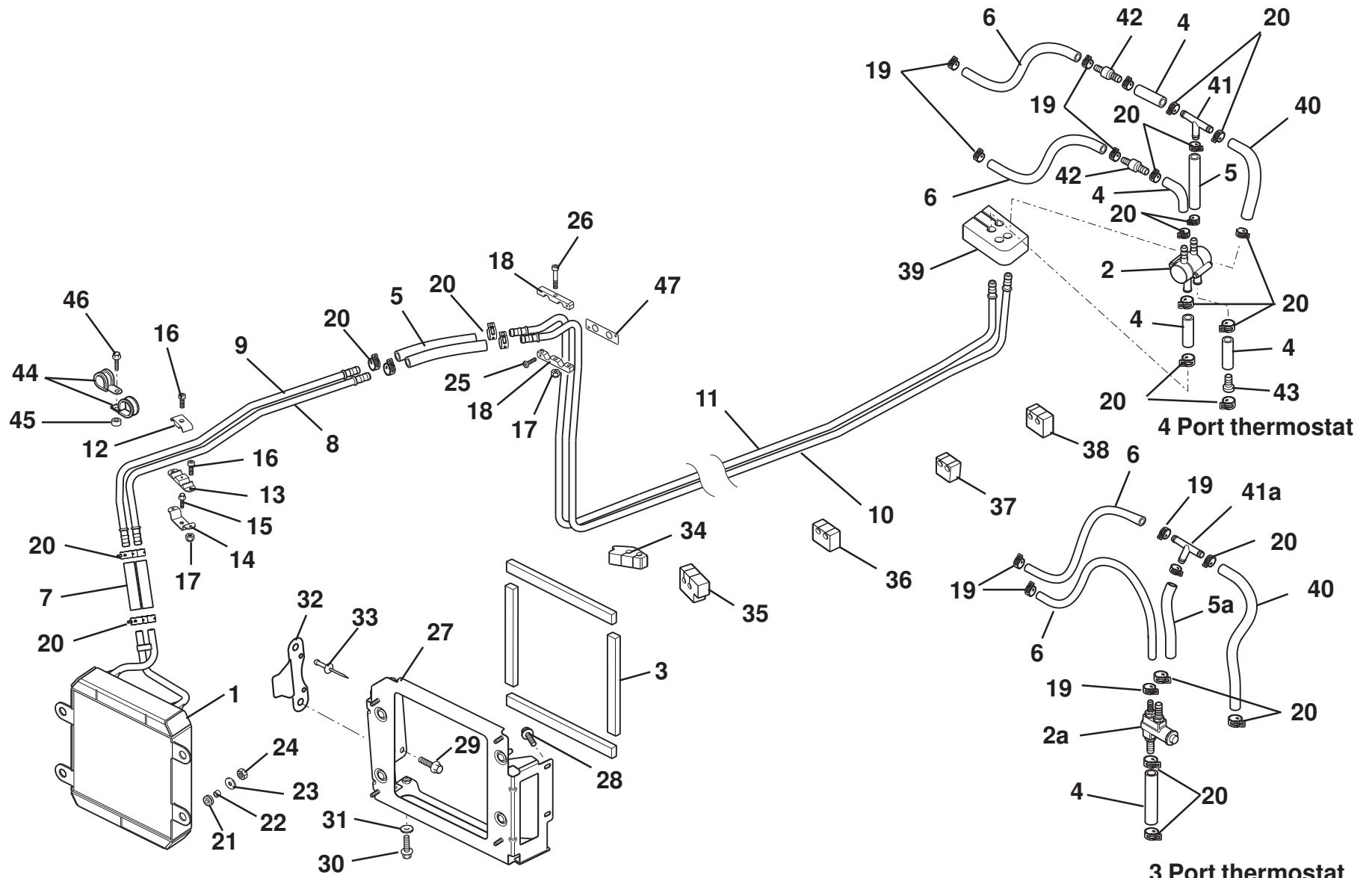
EXIGE



**Function Code 46.09 Oil Cooler System Manual Transmission**

<u>Dep</u>	<u>Part Description</u>	<u>Remarks</u>	<u>Option</u>	<u>Part Number</u>	<u>Qty</u>
19	Bolt M8 x 16, hex flg hd			A132W5013F	1
20	Hose Clamp			A120W6894F	6
21	Screw M8 x 25 skt cap hd			A111W7132F	1
22	Screw M8 x 20 hex flg hd			A132W5005F	3
23	Nut M8 hex flg			A132W3006F	3
24	Screw M6 x 16 hex flg hd			A132W5003F	1
25	'P' Clip			A075Q6013F	1
26	Bolt M10 x 16 hex flg hd			A132K6019F	2
27	Bolt M5 x 30 hex hd			A079W1084F	4
28	Washer Flat M5 x 10 x 0.8			A075W4011Z	4
29	Hose Clamp			A132K6018F	4
30	Swivel Clip			A089W6287F	1
31	Swivel Clip Tie Wrap			A082W6324F	1
32	Clip			A132W6116F	1
33	Clip			A132W6115F	1
34	P Clip			A132W6118F	1
35	Washer 3/16 x 3/4 x 16g			B075W4009Z	4
36	Hose Clamp			A138W6032F	2





**EXIGE**

46.08

Updated 4th January 2016

# Service Parts List

# EXIGE



## Function Code 46.08 Single Oil Cooler System Transmission

<u>Dep</u>	<u>Part Description</u>	<u>Remarks</u>	<u>Option</u>	<u>Part Number</u>	<u>Qty</u>
01	Oil Cooler, transmission			A138K0054F	1
02	Thermostat	4 ports		A138K0056F	1
02a	Thermostat	3 ports		A138K6016F	1
03	Sealing Foam, oil cooler	2x 230mm & 2 x 270 mm		A082U6065V	1
04	Link Hose, thermostat connection			A138K0060F	4
05	Link Hose, front to mid & thermostat connection			A138K0065F	3
05a	Link Hose, front to mid & thermostat connection			A138K0117F	1
06	Hose, thermostat to gearbox			A138K0067F	2
07	Link Hose, oil cooler			C132F0186F	2
08	Pipe, feed front			A138K0101F	1
09	Pipe, return front			A138K0102F	1
10	Pipe, feed mid			A138K0103F	1
11	Pipe, return mid			A138K0104F	1
12	Saddle Clamp, upper			A138K0105F	1
13	Saddle Clamp, lower			A138K0106F	1
14	Support bracket			A138K0095F	1
15	Screw, M6 x 16 hex flg			A132W5003F	1
16	Screw, M4 x 10 skt hd cap			A132J6039F	3

EXIGE

**Function Code 46.08 Single Oil Cooler System Transmission**

<u>Dep</u>	<u>Part Description</u>	<u>Remarks</u>	<u>Option</u>	<u>Part Number</u>	<u>Qty</u>
17	Nut Nyloc M4			A075W3049F	3
18	Pipe Clamp			A138K0107F	2
19	Hose Clamp			A132W6117F	4
20	Hose Clamp 18.3 - 19.6			A120W6894F	18
21	Mounting Bush, oil cooler			A132K6005F	4
22	Sleeve			A132K6006F	4
23	Washer Flat M8 x 20 x 1.4			A082W4165F	4
24	Nut M8			A075W3021Z	4
25	Screw M4 x 12 pan pozi			A075W5132F	2
26	Screw M4 x 25 cap hd			A100W7082F	1
27	Mounting Bracket Assembly, oil cooler			A138B0354F	1
28	Screw M6 x 20 hex flg. side cooler bracket			A132W5004F	2
29	Screw M8 x 20 hex flg, side cooler bracket			A132W5005F	2
30	Screw M5 x 16, hex s/s, side cooler bracket			A111W1163F	2
31	Washer Flat 3/16 x 3/4 x16g, side cooler bracket			B075W4009Z	2
32	Bracket Assembly		Exige S	A138B0148F	1
32a	Bracket Assembly		Exige Sport 350	A138B0559F	1
33	Rivet, bracket to crash structure			A132W6024F	2
34	Foam, pipe support frt upper			A138B0377F	1
35	Foam, pipe support frt lower			A138B0376F	1
36	Foam, pipe support middle			A138B0375F	1



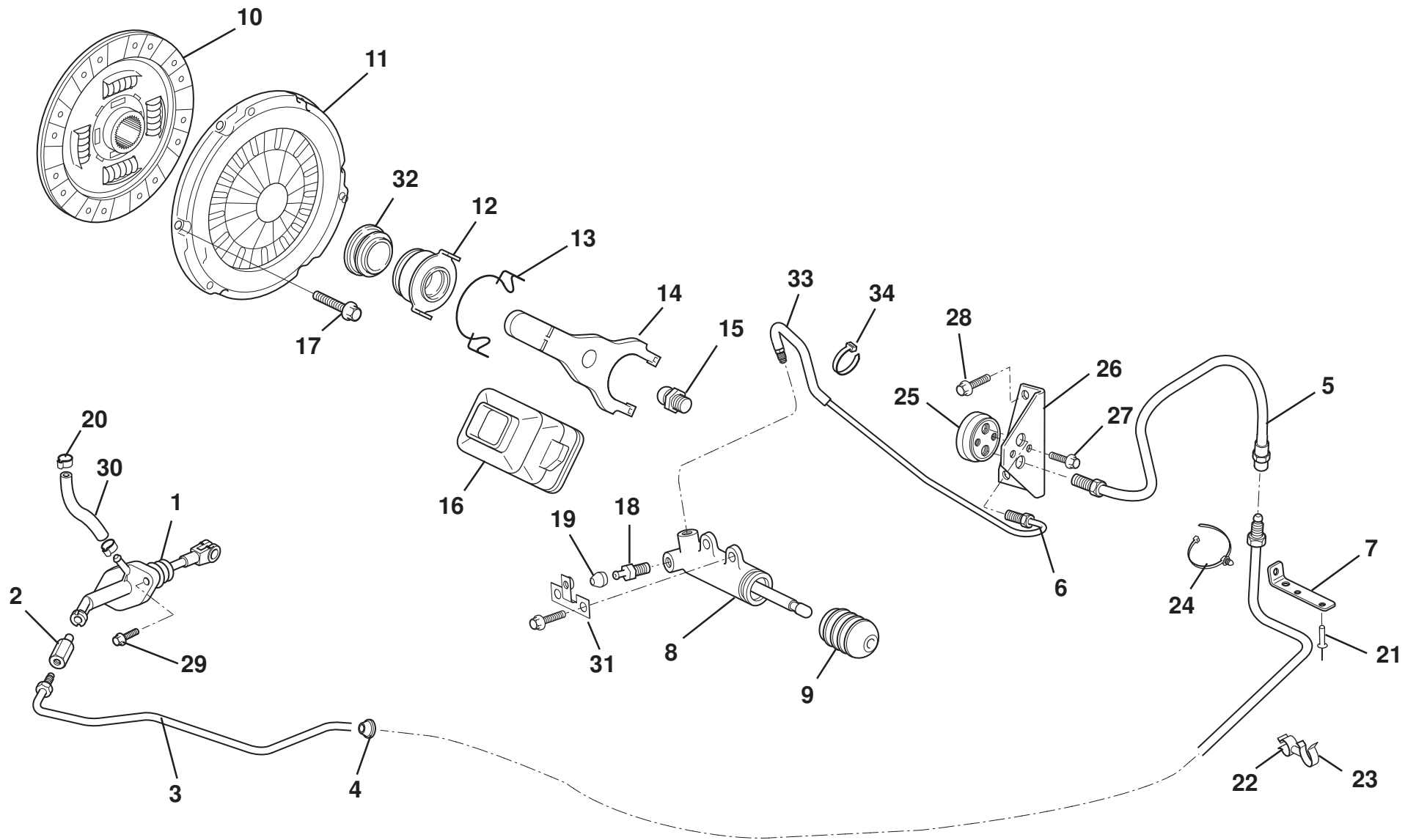
Function Code: 46.08, Page: 2

*Updated 3rd May 2016*

---

**Function Code 46.08 Single Oil Cooler System Transmission**

<u>Dep</u>	<u>Part Description</u>	<u>Remarks</u>	<u>Option</u>	<u>Part Number</u>	<u>Qty</u>
37	Foam, pipe support middle			A138B0374F	1
38	Foam, pipe support rear lower			A138B0408F	1
39	Foam, pipe support rear upper			A138B0409F	1
40	Hose Return, bodyside to t piece			A138K0116F	1
41	'T' Piece			A138K0110F	1
41a	'T' Piece			A138K0118F	1
42	Hose Reducer				2
43	Blanking Plug			A138K0111F	1
44	Pipe Clip			A075Q6013Z	2
45	Spacer			A117W6721F	1
46	Screw M6 x 25 hex flg hd, pipe clip			A132W5014F	1
47	Gasket, pipes to bulkhead			A132K0109F	1



**EXIGE**

47.01

*Updated 1st July 2013*

# Service Parts List

# EXIGE



## Function Code 47.01 Clutch & Release Mechanism

<u>Dep</u>	<u>Part Description</u>	<u>Remarks</u>	<u>Option</u>	<u>Part Number</u>	<u>Qty</u>
01	Clutch Master Cylinder			A120Q0007H	1
02	Quick Connector, pipe to master cylinder			A116Q6001F	1
03	Pipe, clutch, front, RHD			A138Q0010F	1
03a	Pipe, clutch, front, LHD			A138Q0011F	1
04	Grommet, front pipe			A075U6043Z	1
05	Clutch Hose Assembly, side to damper			B138Q0005F	1
06	Clutch Pipe Assembly, rear, damper to slave cylinder			B132Q0022F	1
07	Bracket, clutch hose to chassis			B120Q0005F	1
08	Slave Cylinder, clutch			A132Q6010S	1
09	Boot, slave cylinder			A120Q6013S	1
10	Clutch Driven Plate			A132F0139F	1
11	Clutch Cover			A132F0116F	1
12	Clutch Release Bearing			A132Q6007S	1
13	Clip, clutch release bearing			A132Q6008S	1
14	Clutch Release Fork			A132Q6006S	1
15	Support Pivot, clutch release fork			A132Q6009S	1
16	Boot, clutch release fork			A132Q6005S	1
17	Bolt M8 x 16 hex flg hd, clutch cover to flywheel			A117W2202F	6

EXIGE

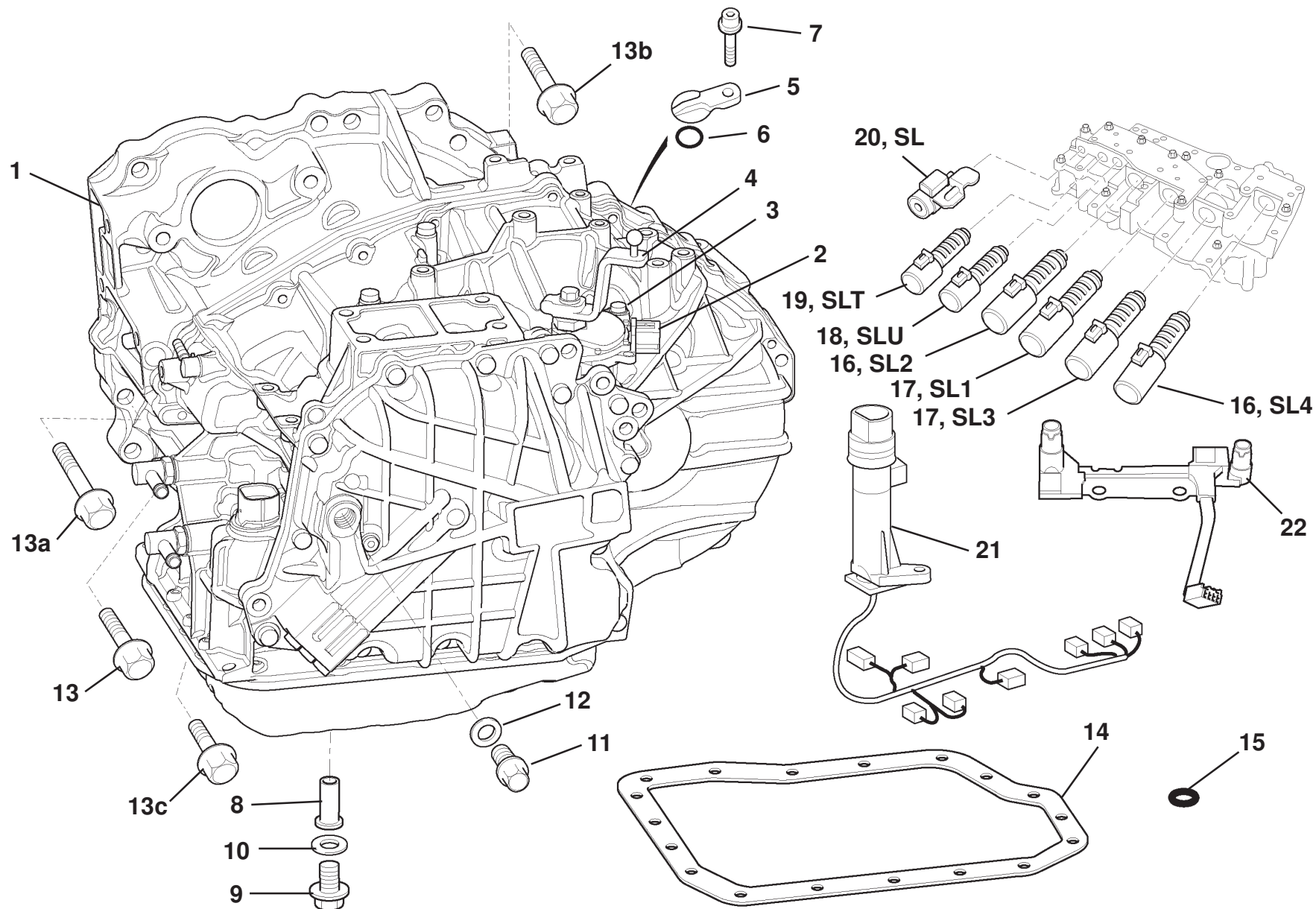
Function Code: 47.01, Page: 1

Updated 4th February 2016

**Function Code 47.01 Clutch & Release Mechanism**

<u>Dep</u>	<u>Part Description</u>	<u>Remarks</u>	<u>Option</u>	<u>Part Number</u>	<u>Qty</u>
18	Bleed Plug, slave cylinder			A120Q6015S	1
19	Cap, bleed plug			A120Q6014S	1
20	Clip, Oetiker	Refer to TSB 2015/02		A132W6109F	2
21	Pop Rivet			A111W6613F	2
22	Swivel Clip			A082W6587F	4
23	Swivel Clip			A116W6656F	4
24	Cable Tie Fir tree Clip			A116K6020F	2
25	Damper, clutch actuation			A132Q0021F	1
26	Bracket, damper mounting			A132Q0024F	1
27	Bolt, M6 x 12, hex. flg. hd., damper to bracket			A132W5010F	2
28	Screw, M8 x 20, hex. flg. hd., bracket to chassis			A132W5005F	3
29	Bolt M8 x 25 hex flg			A132W5006F	2
30	Hose Clutch Reservoir LHD	Refer to TSB 2015/02, cut to length		A132J0308V	90mm
30a	Hose Clutch Reservoir RHD	Refer to TSB 2015/02, cut to length		A132J0308V	250mm
31	Bracket, slave cylinder			A120Q6016S	1
32	Adaptor, clutch release bearing			A132F0014F	1
33	Wrap Heat Protective			A120L0061F	1
34	Cable Tie			A132W6095F	1





**EXIGE**

47.02

*Updated 3rd April 2017*

# Service Parts List

# EXIGE



## Function Code 47.02 Automatic Transmission

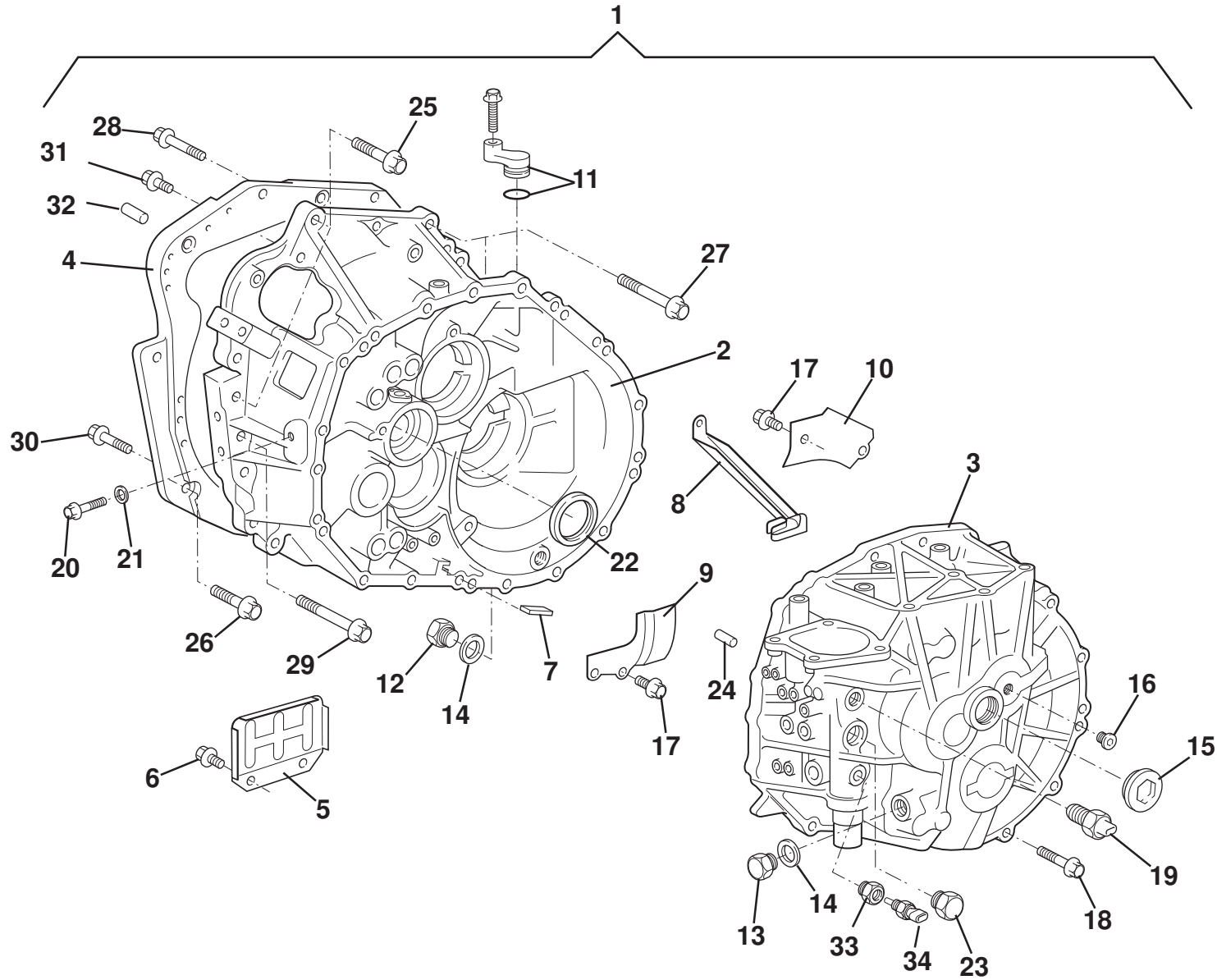
<u>Dep</u>	<u>Part Description</u>	<u>Remarks</u>	<u>Option</u>	<u>Part Number</u>	<u>Qty</u>
01	Automatic Transaxle Assembly			A132F6257F	1
02	Switch Assembly,neutral			A132F0194S	1
03	Bolt, neutral, switch			A132F6299S	1
04	Assembly Lever Shift			A132F0093J	1
05	Cover, speedo drive hole			A120F6244S	1
06	O Ring, speedo drive			A120F6254S	1
07	Bolt,speedo cover			A132F6304S	1
08	Tube, transmission			A132F6302S	1
09	Plug, transmission tube			A132F6303S	1
10	Gasket, transmission tube			A132F6301S	1
11	Bolt, straight screw			A132F6300S	1
12	Gasket			A120F6043S	1
13	Bolt M10 x 41, transaxle to engine			A132F6264F	1
13a	Bolt M12 x 55, transaxle to engine			A132F6265F	6
13b	Bolt M12 x 50, transaxle to engine			A132F6266F	1
13c	Bolt M10 x 33, transaxle to engine			A132F6263F	3
14	Gasket Oil Pan			A132F6317F	1
15	'O' Ring, strainer			A132F6318F	1

EXIGE

---

**Function Code 47.02 Automatic Transmission**

<u>Dep</u>	<u>Part Description</u>	<u>Remarks</u>	<u>Option</u>	<u>Part Number</u>	<u>Qty</u>
16	Shift Solenoid Valve SL2, SL4			A132F6324S	2
17	Shift Solenoid Valve SL1, SL3			A132F7000S	2
18	Shift Solenoid Valve SLU			A132F6323S	1
19	Shift Solenoid Valve SLT			A132F6322S	1
20	Shift Solenoid Valve SL			A132F6321S	1
21	Transmission Wire Assembly			A132M6174S	1
22	Speed Sensor Assembly			A132F6360S	1



**EXIGE**

47.03

*Updated 3rd January 2017*

# Service Parts List

# EXIGE



## Function Code 47.03 Transmission Assembly

<u>Dep</u>	<u>Part Description</u>	<u>Remarks</u>	<u>Option</u>	<u>Part Number</u>	<u>Qty</u>
01	Transmission Assembly, manual 6 speed, sports ratios	Includes Items 8,9,12,13,14,15,16,18,19 from 47.01	Exige S	B132F0059K	1
01a	Transmission Assembly, manual 6 speed, sports ratios	Includes Items 8,9,12,13,14,15,16,18,19 from 47.01	Exige Sport 350	C138F0086J	1
01b	Transmission Assembly, manual 6 speed, sports ratios	Includes Items 8,9,12,13,14,15,16,18,19 from 47.01	Exige Sport 380	C138F0094J	1
02	Transaxle Casing			A132F6038S	1
03	Transmission Casing			A132F6045S	1
04	Adaptor Plate, engine to transmission			A132F0012F	1
05	Cover, flywheel housing lower			A132E6300S	1
06	Bolt, hex. flg. hd., cover fixing			A132E6390S	2
07	Magnet, swarf attraction			A132F6098S	1
08	Pipe, oil receiver			A132F6046S	1
09	Separator, transmission oil			A132F6048S	1
10	Separator, transmission oil			A132F6049S	1
11	Cover, speedometer drive hole	Includes 'O' ring		A132E6334S	1
12	Drain Plug			A120F6041S	1
13	Filler Plug			A131F6053S	1

EXIGE

**Function Code 47.03 Transmission Assembly**

<u>Dep</u>	<u>Part Description</u>	<u>Remarks</u>	<u>Option</u>	<u>Part Number</u>	<u>Qty</u>
14	Washer, plug sealing			A132F6170S	2
15	Plug, transmission casing, large			A132F6148S	1
16	Plug, transmission casing, small			A120F6163S	1
17	Bolt, hex. flg. hd., separators to case			A132F6137S	4
18	Bolt, hex. flg. hd., transmission casing to transaxle casing			A120F6032S	18
19	Switch, reverse lamp			A132F6132S	1
20	Bolt, hex. flg. hd.,			A132F6136S	1
21	Washer, flat			A132F6169S	1
22	Oil Seal, input shaft			A132F6144S	1
23	Plug, transmission casing			A132F6147S	1
24	Dowel, transmission casing to transaxle casing			A120E6196S	1
25	Bolt, M12 x 50, hex. flg. hd., transmission to engine			A132F6020H	2
26	Bolt, M12 x 40, hex. flg. hd., plate to engine			A132F6024H	3
27	Bolt, M12 x 80, hex. flg. hd., transmission to engine			A132E6386S	2
28	Bolt, M10 x 70, hex. flg. hd., engine to transmission			A132E6266S	1
29	Bolt, M12 x 90, hex. flg. hd., transmission to engine			A132E6360S	1
30	Bolt, M10 x 60, hex. flg. hd., engine to transmission			A132E6381S	2
31	Bolt, M10 x 35, hex. flg. hd., engine to transmission			A132E6421S	1
32	Dowell, g/box to adaptor plate			A132E6158S	2
33	Adapter Temp Sensor		Exige Sport 380	A132F0358F	1
34	Temperature Sensor		Exige Sport 380	A132K0400F	1

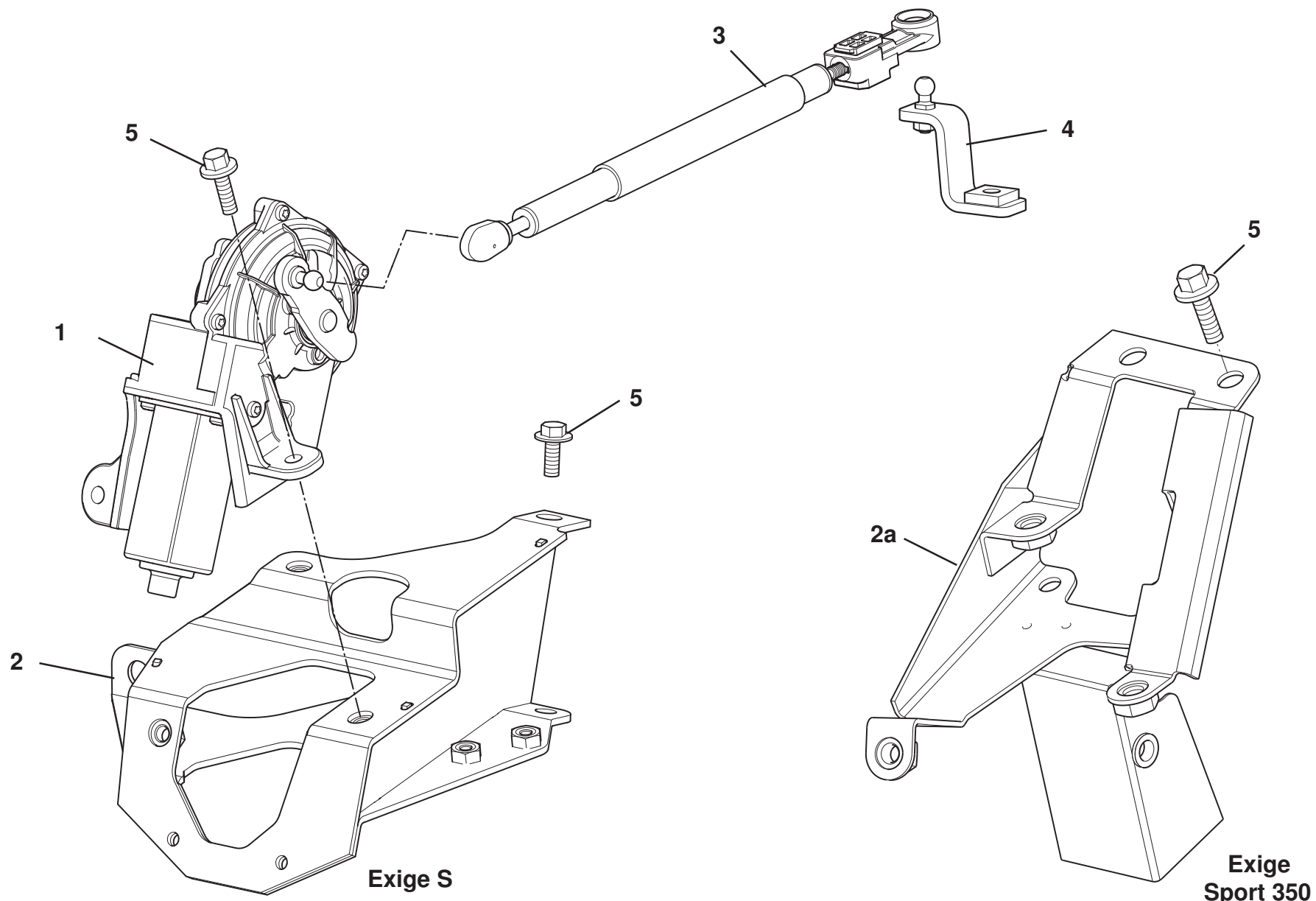


---

**Function Code 47.03 Transmission Assembly**

<u>Dep</u>	<u>Part Description</u>	<u>Remarks</u>	<u>Option</u>	<u>Part Number</u>	<u>Qty</u>
35	Gasket Kit, manual transaxle	Not illustrated		A132F6037S	1

---



**EXIGE**  
47.04

*Updated 4th February 2016*



# Service Parts List

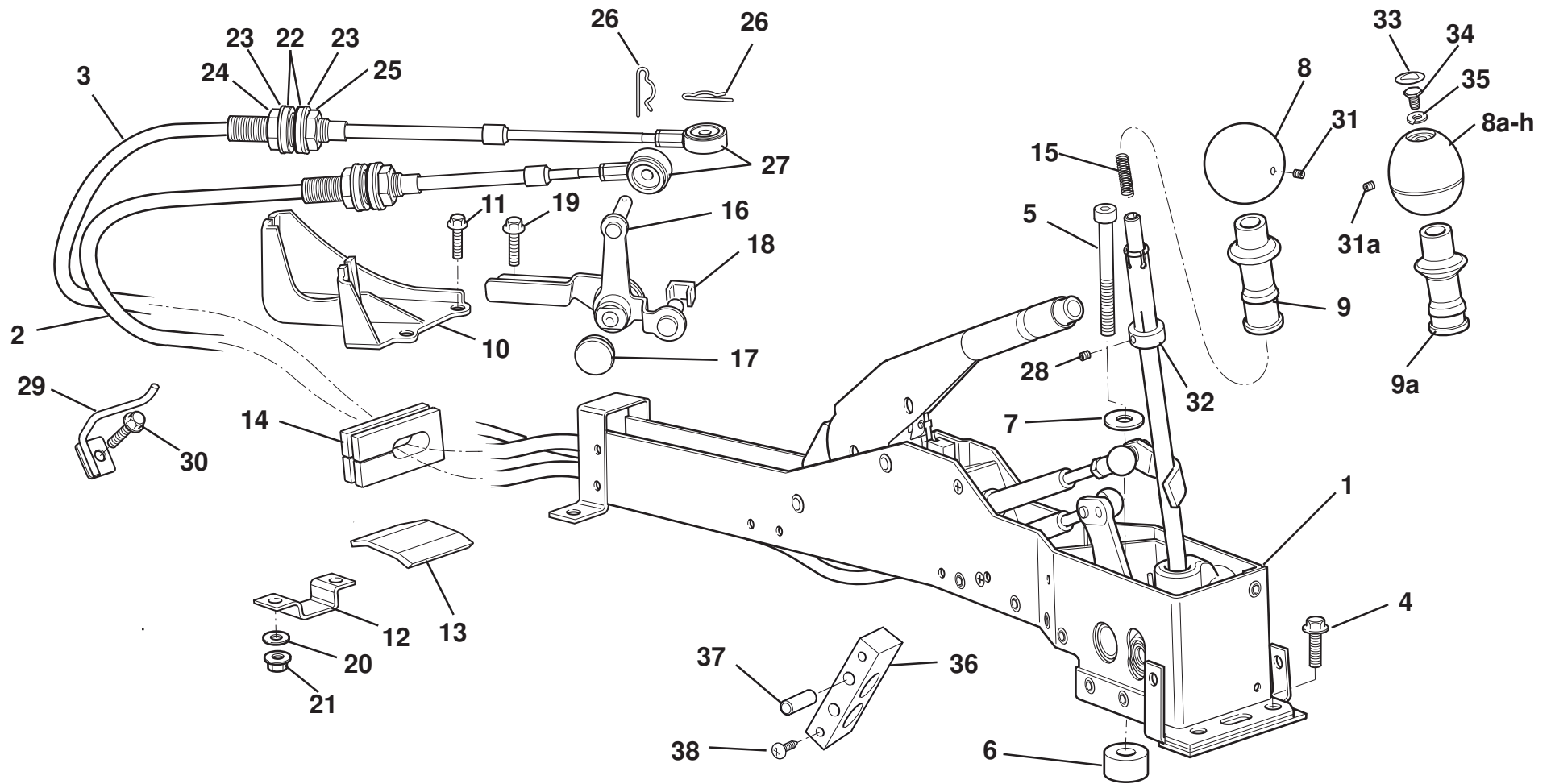
# EXIGE



## Function Code 47.04 Gearchange Mechanism, Auto

<u>Dep</u>	<u>Part Description</u>	<u>Remarks</u>	<u>Option</u>	<u>Part Number</u>	<u>Qty</u>
01	Shift Actuator		Auto	A132F0096F	1
02	Bracket Assembly, shift actuator		Auto Exige S	A132F0091F	1
02a	Bracket Assembly, shift actuator		Auto Exige Sport 350	A132F0309F	1
03	Rod Assembly, shift actuator		Auto	A132F0082K	1
04	Lever Assembly, shift		Auto	A132F0093J	1
05	Screw M8 x 20 hex flg, bracket, actuator fixing		Auto	A132W5005F	5

EXIGE



Exige S

**EXIGE**  
47.05

Updated 3rd February 2017

# Service Parts List

# EXIGE



## Function Code 47.05 Gearchange Mechanism, External

<u>Dep</u>	<u>Part Description</u>	<u>Remarks</u>	<u>Option</u>	<u>Part Number</u>	<u>Qty</u>
01	Gearshift/Parking Brake Assembly, RHD	Includes Cables		A138F4004F	1
01a	Gearshift/Parking Brake Assembly, LHD	Includes Cables		A138F4003F	1
02	Cable, crossgate,blue with black heatshrink	Items 22 to 27 not included, headshield see 45.05		A138F0010F	1
03	Cable, select, blue with yellow heatshrink	Items 22 to 27 not included, headshield see 45.05		A138F0011F	1
04	Screw, M8 x 25, flg. hd., assy. to chassis			A116W5238F	2
05	Screw, M8 x 45, skt cap. hd., assy. to chassis			A111W7137F	1
06	Spacer, gearshift asm, chassis			A120F0015F	1
07	Washer M8 x 25 x1.5			B075W4021Z	1
08	Gear Knob, 6 speed			D120U0012F	1
08a	Gearknob Assembly, leather, excluding badge	Black lower half	Gulf States	B132U0210J	1
08b	Gearknob Assembly, leather, excluding badge	Ivory white lower half	Gulf States	A132V0792S	1
08c	Gearknob Assembly, leather, excluding badge	Venom red lower half	Gulf States	A132V0793S	1
08d	Gearknob Assembly, leather, excluding badge	Cognac brown lower half	Gulf States	A132V0795S	1
08e	Gearknob Assembly, leather, excluding badge	Suedetex lower half	Gulf States	A132V0838S	1
09	Lift Tube, reverse select, round lever			B120U0017F	1
09a	Lift Tube, reverse select, round lever		Gulf States	A132V0122F	1
10	Abutment, cables to transmission			A132F6103S	1

EXIGE

**Function Code 47.05 Gearchange Mechanism, External**

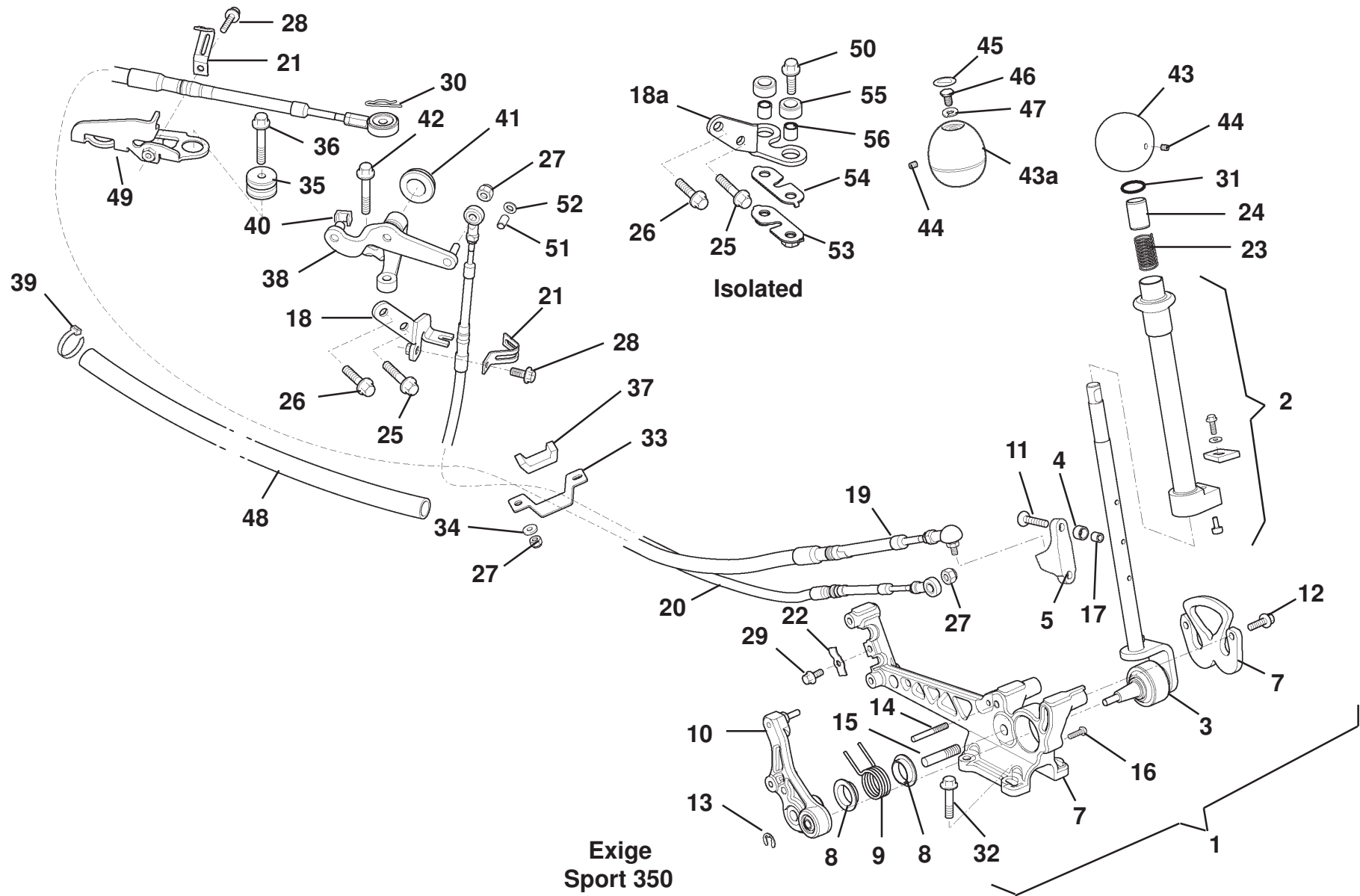
<u>Dep</u>	<u>Part Description</u>	<u>Remarks</u>	<u>Option</u>	<u>Part Number</u>	<u>Qty</u>
11	Screw, hex. flg. hd., abutment to transmission			A120F6040S	3
12	Retainer, gearshift cables			A138F0015F	1
13	NVH Foam, shift cables seat back			B116V0122F	1
14	Foam, tank bay crossmember			A117A0191F	1
15	Spring, gear lever lift tube			A132F0191S	1
16	Crank Assembly, shift and select			A132F6109S	1
17	Dust Cover, crank pivot			A120F6170S	1
18	Dust Cover, crank to selector			A120F6177S	1
19	Screw, hex. flg. hd., crank assy. to transmission			A132F6254S	2
20	Washer Flat M5 x10 x 0.8			A075W4011Z	2
21	Nut Nyloc M5			A075W3008Z	2
22	Washer Gear Cables			A132F0208F	4
23	Isolator Gear cables			A132F0207F	4
24	Nut M6 x 1.5, gearshift cables			A132F0209F	2
25	Nut Tube M6 x 1.5, gearshift cables			A132F0210F	2
26	'R' Clip, cables to levers			A075W6175F	2
27	Cable Connector, cable to transmission			A132F6307S	2
28	Grub Screw, lift tube retention			A120F0028S	1
29	Guide, cables to subframe			A138F0028F	1
30	Screw M6 x 12 hex flg hd, guide to subframe			A132W5010F	1
31	Grub Screw M5 x 16			A120W5292F	1



---

**Function Code 47.05 Gearchange Mechanism, External**

<u>Dep</u>	<u>Part Description</u>	<u>Remarks</u>	<u>Option</u>	<u>Part Number</u>	<u>Qty</u>
31a	Grub Screw M5 x 5		Gulf States	A132W1000F	1
32	Lift Tube Adaptor, lift tube to mechanism			A120F6274S	1
33	Badge; LOTUS, gear knob, silver		Gulf States	A132V0178F	1
34	Screw M6 x 12 hex hd thin		Gulf States	A100W1055F	1
35	Washer Spring M6		Gulf States	A075W4035Z	1
36	Abutment, gearchange cables			A132F0219F	1
37	Roll Pin, 6 x 30 located in abutment			A132F6305F	2
38	Screw M5 x 12, csk pozi, abutment fixing			A100W5176F	2



Exige  
Sport 350

**EXIGE**  
47.05b

Updated 2nd May 2017

# Service Parts List

# EXIGE



## Function Code 47.05b Gearchange Mechanism, External, Exposed Gearshift

<u>Dep</u>	<u>Part Description</u>	<u>Remarks</u>	<u>Option</u>	<u>Part Number</u>	<u>Qty</u>
01	Gear Shift Hand Unit Assembly	includes items 02 - 17		B138F0059F	1
02	Lift Tube assembly			A138F0063F	1
03	Gear Shift Lever Assembly			A138F0089F	1
04	Bearing			A132F6339F	2
05	Bracket Gear Shift Cable			A138F0071F	1
06	Spring Plate, reverse block			A138F0070F	1
07	Gearshift Housing			B138F0069F	1
08	Bearing			A132F6350F	2
09	Spring, cross gate			A132F0284F	1
10	Arm assembly, crossgate			A138F0072F	1
11	Screw M5 x 25 skt hd			A138W5014F	2
12	Screw M6 x 20 skt btn hd			A132W5044F	2
13	Circlip, E type			A132F6336F	1
14	Pin Grooved 5 x 40			A132F6335F	1
15	Pin Grooved 10 x 55			A132F0273F	1
16	Screw M5 x 12 cap btn hd			A111W7183F	1
17	Spacer			A132F6330F	2
18	Bracket Assembly, crossgate cable			B132F0288F	1

EXIGE

**Function Code 47.05b Gearchange Mechanism, External, Exposed Gearshift**

<u>Dep</u>	<u>Part Description</u>	<u>Remarks</u>	<u>Option</u>	<u>Part Number</u>	<u>Qty</u>
18a	Bracket Assembly, isolated crossgate cable	Isolated cable		A132F0372F	1
19	Cable Assembly, gear shift cable			A138F0074J	1
20	Cable Assembly, crossgate			A138F0075J	1
20a	Cable Assembly, crossgate	Isolated		A138F0097J	1
21	Cable Clamp Transmission			A132F0290F	1
22	Cable Clamp Gearshift			A132F0291F	1
23	Spring Lift Collar			A132F6338F	1
24	Sleeve Lift Collar			A132F0267F	1
25	Bolt M8 x 30 hex flg hd			A116W5245F	1
26	Screw M8 x 20 hex flg hd			A132W5005F	1
27	Nut Nyloc M5			A075W3008Z	4
28	Bolt M6 x 16 hex flg hd			A918W5208F	2
29	Bolt M6 x 12 hex flg hd			A132W5010F	2
30	'R' Clip			A075W6175F	1
31	'O' Ring			A132F6337F	1
32	Screw M6 x 20 hex flg hd			A132W5004F	4
33	Retainer Gear Cables			A138F0015F	1
34	Washer M5 x 10 x 0.8			A075W4011Z	2
35	Grommet M8, 2 piece			A132F0335F	2
36	Bolt M8 x 35, hex hd			A075W2038Z	2
37	Foam Seal			A082U6065F	1

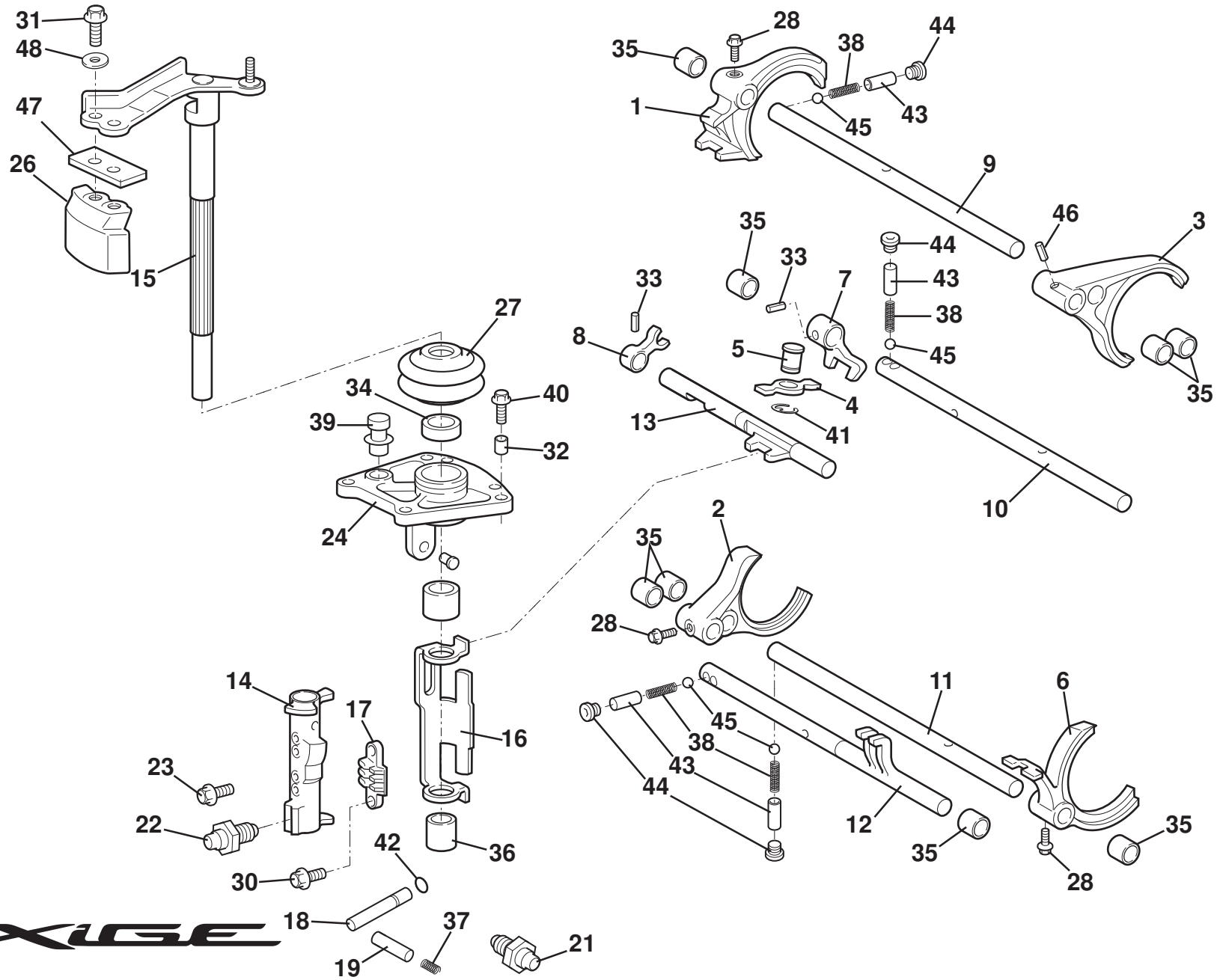




**Function Code 47.05b Gearchange Mechanism, External, Exposed Gearshift**

<u>Dep</u>	<u>Part Description</u>	<u>Remarks</u>	<u>Option</u>	<u>Part Number</u>	<u>Qty</u>
38	Crossgate Arm Assembly, transmission			B132F0275F	1
39	Cable Tie			A132W6095F	4
40	Dust Cover, crank to selector			A120F6177S	1
41	Dust Cover, crank pivot			A120F6170S	1
42	Screw, hex. flg. hd., crank assy. to transmission			A132F6254S	1
43	Gearknob			D120U0012F	1
43a	Gearknob Assembly, leather, excluding badge	Black lower half	Gulf States	B132U0210J	1
44	Grub Screw M5 x 16			A120W5292F	1
44a	Grub Screw M5 x 5		Gulf States	A132W1000F	
45	Badge; LOTUS, gear knob, silver		Gulf States	A132V0178F	1
46	Screw M6 x 12 hex hd thin		Gulf States	A100W1055F	1
47	Washer Spring M6		Gulf States	A075W4035Z	1
48	Heat Sleeve			A132S0119F	1
49	Bracket Assembly, gear shift cable	Isolated cable		B132F0287F	1
50	Screw M8 x 25, hex flg hd	Isolated cable		A132W5006F	2
51	Sleeve Rod End	Isolated cable		A132F0364F	1
52	Washer M5	Isolated cable		A138W4002F	1
53	Plate Assembly, cable retension upper	Isolated cable		A132F0377F	1
54	Plate, cable retension upper	Isolated cable		A132F0375F	1
55	Rubber Bush	Isolated cable		A132F6358F	2
56	Bush Inner Sleeve	Isolated cable		A132F6359F	2





**EXIGE**

**47.06**

# Service Parts List

# EXIGE



## Function Code 47.06 Gear Selector Mechanism, Internal

<u>Dep</u>	<u>Part Description</u>	<u>Remarks</u>	<u>Option</u>	<u>Part Number</u>	<u>Qty</u>
01	Selector Fork Assembly, gearshift no. 1			A132F0349J	1
02	Selector Fork, reverse shift			A132F6051S	1
03	Selector Fork Assembly, gearshift no. 2			A132F6052S	1
04	Shift Arm			A132F6053S	1
05	Pivot, shift arm			A132F6054S	1
06	Selector Fork Assembly, gearshift no. 3			A132F6055S	1
07	Head, gearshift no. 2			A132F6056S	1
08	Head, gearshift no. 3			A132F6057S	1
09	Shaft, selector fork no. 1			A132F6058S	1
10	Shaft, selector fork no. 2			A132F6059S	1
11	Shaft, selector fork no. 3			A132F6060S	1
12	Shaft, selector fork no. 4			A132F6061S	1
13	Shaft, selector fork no. 5			A132F6062S	1
14	Shift Lever, inner no. 1			A132F6063S	1
15	Shaft, shift and select lever			A132F6064S	1
16	Plate, shift interlock			A132F0220K	1
17	Plate, shift gate			A132F0206F	1
18	Pin, lever shaft fixing			A132F6067S	1

EXIGE

**Function Code 47.06 Gear Selector Mechanism, Internal**

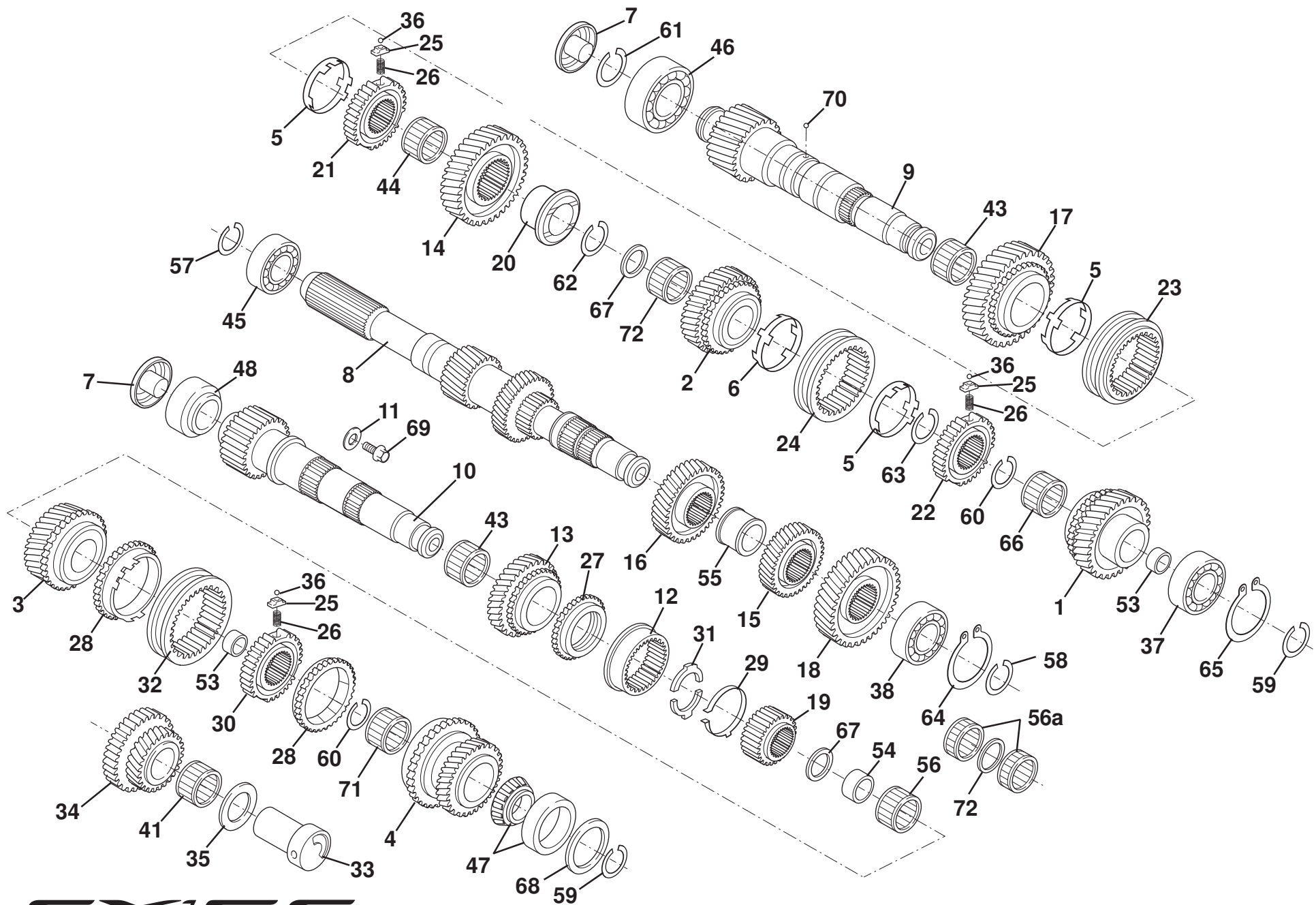
<u>Dep</u>	<u>Part Description</u>	<u>Remarks</u>	<u>Option</u>	<u>Part Number</u>	<u>Qty</u>
19	Pin, lever shaft fixing			A132F6068S	1
20	Seat, shift detent spring no. 1			A120F6062S	1
21	Detent Ball Assembly			A132F6070S	4
22	Detent Ball Assembly			A132F6071S	4
23	Pin, shift gate			A132F6072S	1
24	Cover Assembly, control shaft	Includes, boot, bearings		A132F6102S	1
25	Bracket, control cable			A132F6103S	1
26	Damper, shift lever			A132F6104S	1
27	Boot, shift lever			A132F6105S	1
28	Bolt, hex. flg. hd., fork to shaft			A132F6133S	3
30	Bolt, hex. flg. hd., plate retention			A132F6134S	2
31	Bolt, hex. flg. hd., damper to lever			A132F6138S	2
31a	Bolt, hex M8 x 35., damper/mass to lever			A075W2038F	2
32	Dowel Pin, cover to casing			A132F6141S	1
33	Pin, slotted spring, head to shaft			A132F6142S	2
34	Oil Seal, cover assembly			A132F6143S	2
35	Bearing, selector shaft			A132F6164S	8
36	Bearing, shift shaft lower			A132F6165S	1
37	Spring, lever shaft pin			A132F6171S	1
38	Spring, shift detent			A132F6172S	4
39	Breather Plug, cover assembly			A132F6252S	1



---

**Function Code 47.06 Gear Selector Mechanism, Internal**

<u>Dep</u>	<u>Part Description</u>	<u>Remarks</u>	<u>Option</u>	<u>Part Number</u>	<u>Qty</u>
40	Bolt, hex. flg. hd., cover to casing			A132F6253S	4
41	'E' Clip, shift arm pivot			A132F6255S	1
42	'O' Ring			A132F6256S	1
43	Spring Seat, shift detent			A120F6162S	4
44	Plug, shift detent assy.			A120F6163S	4
45	Detent Ball			A120F6164S	4
46	Pin, slotted spring, fork to shaft			A120F6184S	2
47	Mass, gear selector			A132F0112F	3
48	Washer 8 x 16.6, damper/mass to lever			A075W4020Z	2



**EXIGE**

**47.07**

*Updated 1st August 2016*

# Service Parts List

# EXIGE



## Function Code 47.07 Gears, Shafts & Bearings

<u>Dep</u>	<u>Part Description</u>	<u>Remarks</u>	<u>Option</u>	<u>Part Number</u>	<u>Qty</u>
01	3rd Gear, driven		Sports Ratio G/box	B132F0049F	1
02	4th Gear, driven		Sports Ratio G/box	B132F0051F	1
03	5th Gear, driven		Sports Ratio G/box	B132F0053F	1
04	6th Gear, driven		Sports Ratio G/box	B132F0055F	1
05	Synchro Ring Set, no. 1			A132F6043S	1
5hi	Snap Ring, bearing to shaft, 1, 2.10mm			A132F6183S	3
06	Synchro Ring Set, no. 4			A132F6044S	1
07	Cover, output shaft			A132F6047S	1
08	Input Shaft			A132F6073S	1
09	Output Shaft, no. 1			A132F6074S	1
10	Output Shaft, no. 2			A132F6075S	1
11	Plate, bearing lock			A132F6076S	2
12	Sleeve, synchro hub, no. 4			A132F6077S	1
13	Reverse Gear			A132F6078S	1
14	2nd Gear			A132F6079S	1
15	3rd Gear		Sports Ratio G/box	B132F0046F	1
16	One piece 4th,5th gear,spacer assembly		Sports Ratio G/box	A132F0160F	1
17	1st Gear			A132F6082S	1

EXIGE

**Function Code 47.07 Gears, Shafts & Bearings**

<u>Dep</u>	<u>Part Description</u>	<u>Remarks</u>	<u>Option</u>	<u>Part Number</u>	<u>Qty</u>
18	6th Gear		Sports Ratio G/box	B132F0048F	1
19	Synchro Hub, no. 4			A132F6084S	1
20	Bearing Inner, 2nd gear			A132F6085S	1
21	Synchro Hub, no. 1			A132F6086S	1
22	Synchro Hub, no. 2			A132F6087S	1
23	Sleeve, synchro hub, no. 1			A132F6088S	1
24	Sleeve, synchro hub, no. 2			A132F6089S	1
25	Key, synchromesh shifting			A132F6090S	9
26	Spring, synchromesh shifting key no. 1			A132F6091S	9
27	Synchromesh Ring, no. 4			A132F6092S	1
28	Synchromesh Ring Outer, no. 4			A132F6093S	1
29	Spring, synchromesh shifting key no. 3			A132F6094S	1
30	Synchro Hub, no. 3			A132F6095S	1
31	Key, synchromesh shifting, no. 3			A132F6096S	1
32	Sleeve, synchro hub, no. 3			A132F6097S	1
33	Shaft, reverse idler gear			A132F6099S	1
34	Reverse Idler Gear			A132F6100S	1
35	Thrust Washer, reverse idler gear			A132F6101S	1
36	Detent Ball			A132F6149S	9
37	Bearing, radial ball			A132F6150S	1
38	Bearing, radial ball			A132F6151S	1





**Function Code 47.07 Gears, Shafts & Bearings**

<u>Dep</u>	<u>Part Description</u>	<u>Remarks</u>	<u>Option</u>	<u>Part Number</u>	<u>Qty</u>
39	Bearing, needle roller			A132F6152S	1
40	Bearing, needle roller			A132F6153S	1
41	Bearing, needle roller, reverse idler			A132F6154S	1
42	Bearing, needle roller			A132F6155S	1
43	Bearing, needle roller			A132F6156S	1
44	Bearing, needle roller			A132F6157S	1
45	Bearing, cylindrical roller			A132F6158S	1
46	Bearing, cylindrical roller			A132F6159S	1
47	Bearing, tapered roller			A132F6160S	1
48	Bearing, tapered roller			A132F6161S	1
49	Bearing, tapered roller			A132F6162S	1
50	Bearing, tapered roller			A132F6163S	1
51	Bearing			A132F6164S	1
52	Bearing			A132F6165S	1
53	Collar			A132F6166S	2
54	Collar			A132F6167S	1
55	Collar 3rd gear	Replaced by item 16	Sports Ratio G/box	A132F0160F	1
56	Bearing, needle roller			A132F6155S	1
56a	Bearing, needle roller		Exige sport 350	A132F0355F	2
57	Snap Ring, bearing to shaft			A132F6173S	1
58	Snap Ring, bearing to shaft, A, 1.80mm			A132F6174S	1



**Function Code 47.07 Gears, Shafts & Bearings**

<u>Dep</u>	<u>Part Description</u>	<u>Remarks</u>	<u>Option</u>	<u>Part Number</u>	<u>Qty</u>
58a	Snap Ring, bearing to shaft, B, 1.85mm			A132F6175S	1
58b	Snap Ring, bearing to shaft, C, 1.90mm			A132F6176S	1
58c	Snap Ring, bearing to shaft, D, 1.95mm			A132F6177S	1
58d	Snap Ring, bearing to shaft, E, 2.00mm			A132F6178S	1
58e	Snap Ring, bearing to shaft, F, 2.40mm			A132F6179S	1
58f	Snap Ring, bearing to shaft, G, 2.45mm			A132F6180S	1
58g	Snap Ring, bearing to shaft, H, 2.50mm			A132F6181S	1
58h	Snap Ring, bearing to shaft, 0, 2.05mm			A132F6182S	1
58i	Snap Ring, bearing to shaft, 0, 2.10mm			A132F6183S	1
58j	Snap Ring, bearing to shaft, 2, 2.15mm			A132F6184S	1
58k	Snap Ring, bearing to shaft, 3, 2.20mm			A132F6185S	1
58l	Snap Ring, bearing to shaft, 4, 2.25mm			A132F6186S	1
58m	Snap Ring, bearing to shaft, 5, 2.30mm			A132F6187S	1
58n	Snap Ring, bearing to shaft, 6, 2.35mm			A132F6188S	1
59	Snap Ring, bearing to shaft, B, 1.85mm			A132F6175S	2
59a	Snap Ring, bearing to shaft, C, 1.90mm			A132F6176S	2
59b	Snap Ring, bearing to shaft, D, 1.95mm			A132F6177S	2
59c	Snap Ring, bearing to shaft, E, 2.00mm			A132F6178S	2
59d	Snap Ring, bearing to shaft, 0, 2.05mm			A132F6182S	2
59e	Snap Ring, bearing to shaft, 0, 2.10mm			A132F6183S	2
59f	Snap Ring, bearing to shaft, 2, 2.15mm			A132F6184S	2



**Function Code 47.07 Gears, Shafts & Bearings**

<u>Dep</u>	<u>Part Description</u>	<u>Remarks</u>	<u>Option</u>	<u>Part Number</u>	<u>Qty</u>
60	Snap Ring, bearing to shaft, 1, 2.25mm			A132F6189S	2
60a	Snap Ring, bearing to shaft, 1, 2.30mm			A132F6190S	2
60b	Snap Ring, bearing to shaft, 1, 2.35mm			A132F6191S	2
60c	Snap Ring, bearing to shaft, 1, 2.40mm			A132F6192S	2
60d	Snap Ring, bearing to shaft, 1, 2.45mm			A132F6193S	2
60e	Snap Ring, bearing to shaft, 1, 2.50mm			A132F6194S	2
61	Snap Ring, bearing to shaft			A132F6195S	1
62	Snap Ring, bearing to shaft, A, 2.25mm			A132F6196S	1
62a	Snap Ring, bearing to shaft, B, 2.30mm			A132F6197S	1
62b	Snap Ring, bearing to shaft, C, 2.35mm			A132F6198S	1
62c	Snap Ring, bearing to shaft, D, 2.40mm			A132F6199S	1
62d	Snap Ring, bearing to shaft, E, 2.45mm			A132F6200S	1
62e	Snap Ring, bearing to shaft, F, 2.50mm			A132F6201S	1
62f	Snap Ring, bearing to shaft, G, 2.55mm			A132F6202S	1
62g	Snap Ring, bearing to shaft, H, 2.60mm			A132F6203S	1
63	Snap Ring, bearing to shaft, A, 2.25mm			A132F6204S	1
63a	Snap Ring, bearing to shaft, B, 2.30mm			A132F6205S	1
63b	Snap Ring, bearing to shaft, C, 2.35mm			A132F6206S	1
63c	Snap Ring, bearing to shaft, D, 2.40mm			A132F6207S	1
63d	Snap Ring, bearing to shaft, E, 2.45mm			A132F6208S	1
63e	Snap Ring, bearing to shaft, F, 2.50mm			A132F6209S	1



**Function Code 47.07 Gears, Shafts & Bearings**

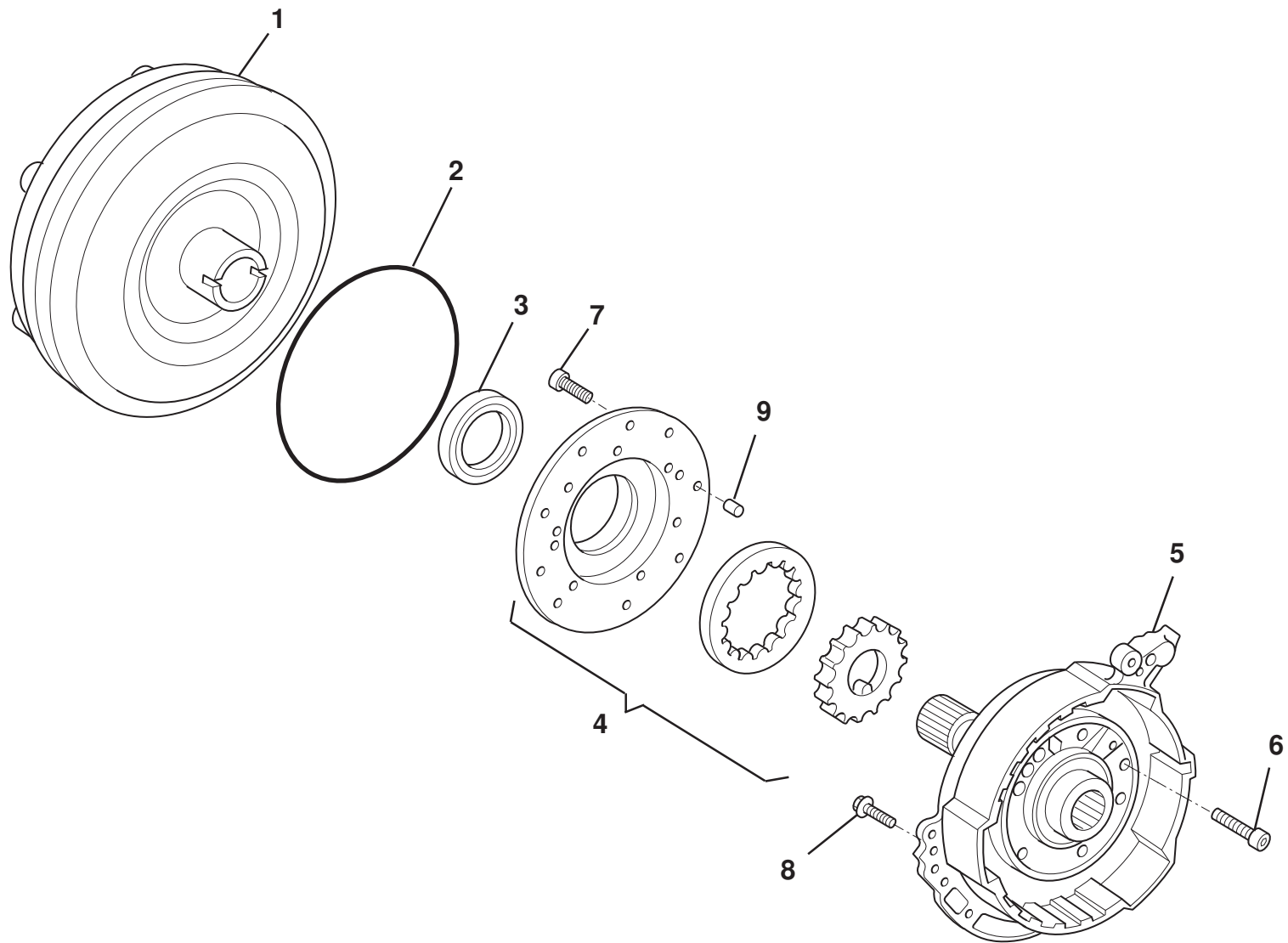
<u>Dep</u>	<u>Part Description</u>	<u>Remarks</u>	<u>Option</u>	<u>Part Number</u>	<u>Qty</u>
63f	Snap Ring, bearing to shaft, G, 2.55mm			A132F6210S	1
63g	Snap Ring, bearing to shaft, H, 2.60mm			A132F6211S	1
64	Snap Ring, bearing to shaft			A132F6212S	1
65	Snap Ring, bearing to shaft			A132F6213S	1
66	Bearing, needle roller			A132F6152S	1
67	Snap Ring, bearing to shaft			A132F6215S	1
68	Shim, bearing to shaft, A, 1.80mm			A132F6216S	1
68a	Shim, bearing to shaft, B, 1.85mm			A132F6217S	1
68b	Shim, bearing to shaft, C, 1.90mm			A132F6218S	1
68c	Shim, bearing to shaft, D, 1.95mm			A132F6219S	1
68d	Shim, bearing to shaft, E, 2.00mm			A132F6220S	1
68e	Shim, bearing to shaft, F, 2.05mm			A132F6221S	1
68f	Shim, bearing to shaft, G, 2.10mm			A132F6222S	1
68g	Shim, bearing to shaft, H, 2.15mm			A132F6223S	1
68h	Shim, bearing to shaft, J, 2.20mm			A132F6224S	1
68i	Shim, bearing to shaft, K, 2.25mm			A132F6225S	1
68j	Shim, bearing to shaft, L, 2.30mm			A132F6226S	1
68k	Shim, bearing to shaft, M, 2.35mm			A132F6227S	1
68l	Shim, bearing to shaft, N, 2.40mm			A132F6228S	1
68m	Shim, bearing to shaft, P, 2.45mm			A132F6229S	1
68n	Shim, bearing to shaft, Q, 2.50mm			A132F6230S	1



---

**Function Code 47.07 Gears, Shafts & Bearings**

<u>Dep</u>	<u>Part Description</u>	<u>Remarks</u>	<u>Option</u>	<u>Part Number</u>	<u>Qty</u>
68o	Shim, bearing to shaft, R, 2.55mm			A132F6231S	1
68p	Shim, bearing to shaft, S, 2.60mm			A132F6232S	1
68q	Shim, bearing to shaft, T, 2.65mm			A132F6233S	1
69	Screw, hex. flg. hd., plate fixing			A120F6027S	2
70	Detent Ball, output shaft			A131F6056S	1
71	Bearing, needle roller			A132F6153S	1
72	Bearing, needle roller			A132F6155S	1
73	Spacer		Exige sport 350	A132F0343F	



**EXIGE**

47.08

*Updated 5th January 2015*

# Service Parts List

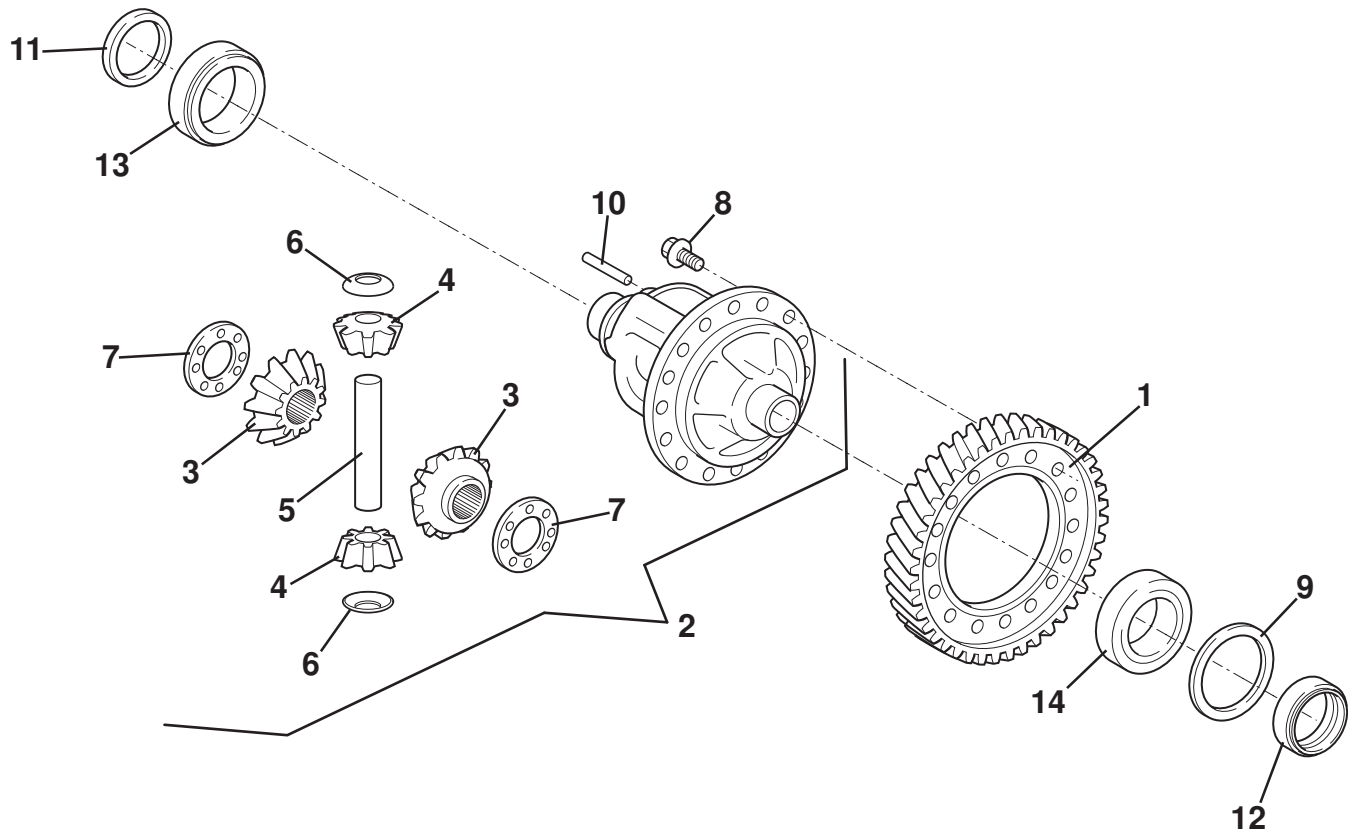
*EXIGE*



## Function Code 47.08 Torque Converter

<u>Dep</u>	<u>Part Description</u>	<u>Remarks</u>	<u>Option</u>	<u>Part Number</u>	<u>Qty</u>
01	Torque Converter			A132F6294S	1
02	O' Ring			A132F6308S	1
03	Oil Seal			A132F6309S	1
04	Front Oil Pump & Gear Assembly			A132F6310S	1
05	Shaft Assembly			A132F6311S	1
06	Screw			A132F6312S	7
07	Screw			A132F6312S	9
08	Bolt			A132F6313S	9
09	Pin			A132F6314S	1

*EXIGE*



**EXIGE**  
47.11



**Function Code 47.11 Final Drive & Bearings**

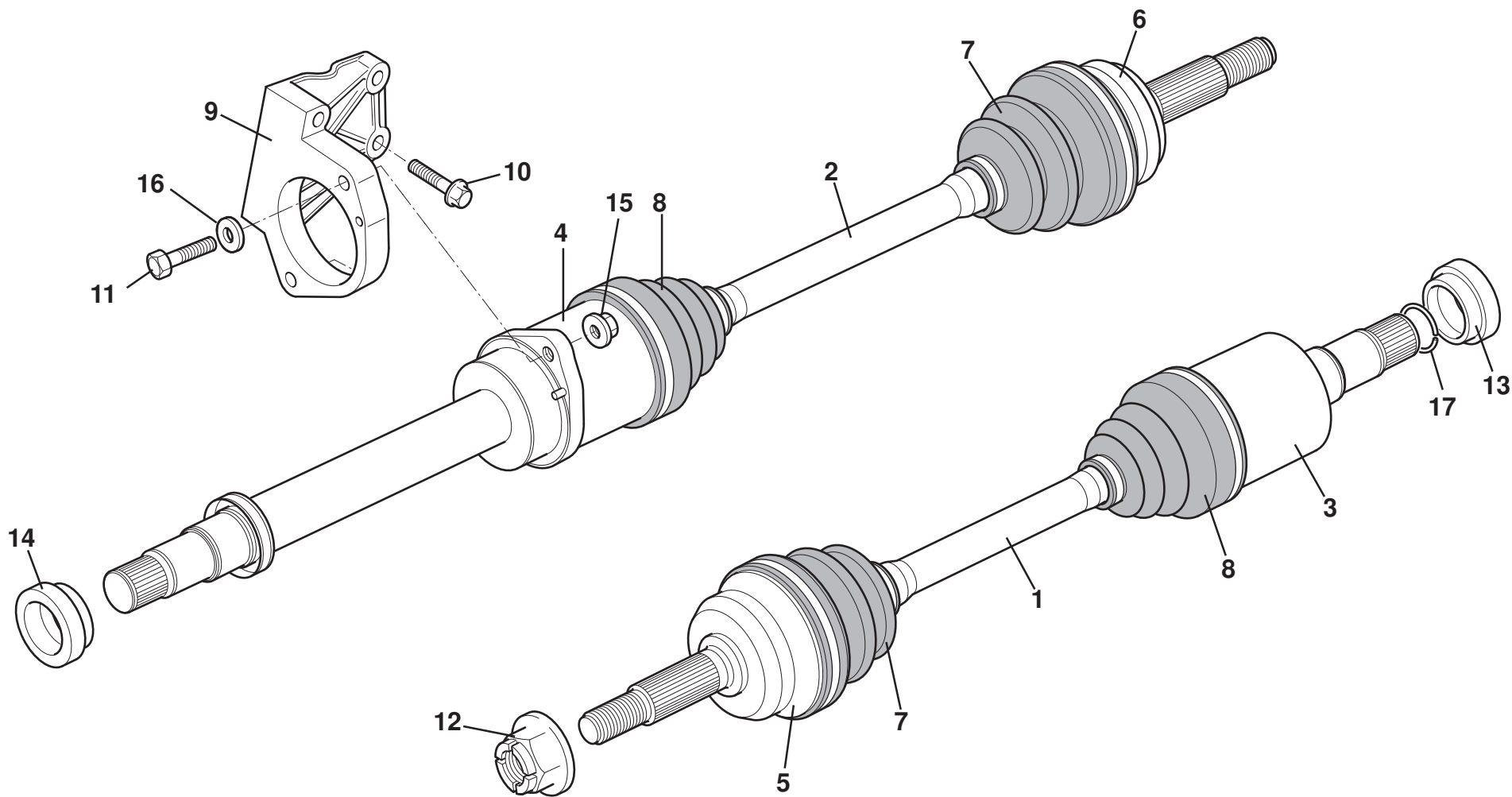
<u>Dep</u>	<u>Part Description</u>	<u>Remarks</u>	<u>Option</u>	<u>Part Number</u>	<u>Qty</u>
01	Gear, differential ring			A132F6110S	1
02	Differential Assembly			A132F6111S	1
03	Gear, differential side			A132F6112S	2
04	Pinion, differential			A132F6113S	2
05	Shaft, differential pinion			A132F6114S	1
06	Thrust Washer, differential pinion			A132F6115S	2
07	Thrust Washer, differential side gear, 1.25mm			A132F6116S	2
07	Thrust Washer, differential side gear, 1.30mm			A132F6127S	2
07a	Thrust Washer, differential side gear, 1.35mm			A132F6117S	2
07b	Thrust Washer, differential side gear, 1.40mm			A132F6118S	2
07c	Thrust Washer, differential side gear, 1.45mm			A132F6119S	2
07d	Thrust Washer, differential side gear, 1.50mm			A132F6120S	2
07e	Thrust Washer, differential side gear, 1.55mm			A132F6121S	2
07f	Thrust Washer, differential side gear, 1.60mm			A132F6122S	2
07g	Thrust Washer, differential side gear, 1.65mm			A132F6123S	2
07h	Thrust Washer, differential side gear, 1.70mm			A132F6125S	2
07i	Thrust Washer, differential side gear, 1.75mm			A132F6125S	2
07j	Thrust Washer, differential side gear, 1.80mm			A132F6126S	2
07l	Thrust Washer, differential side gear, 1.85mm			A132F6128S	2
07lm	Thrust Washer, differential side gear, 1.90mm			A132F6129S	2
07n	Thrust Washer, differential side gear, 1.95mm			A132F6130S	2



---

**Function Code 47.11 Final Drive & Bearings**

<u>Dep</u>	<u>Part Description</u>	<u>Remarks</u>	<u>Option</u>	<u>Part Number</u>	<u>Qty</u>
08	Screw, hex. flg. hd., gear to differential			A132F6135S	16
09	Shim, bearing to housing, 0, 2.00mm			A132F6234S	1
09a	Shim, bearing to housing, 1, 2.05mm			A132F6235S	1
09b	Shim, bearing to housing, 2, 2.10mm			A132F6236S	1
09c	Shim, bearing to housing, 3, 2.15mm			A132F6237S	1
09d	Shim, bearing to housing, 4, 2.20mm			A132F6238S	1
09e	Shim, bearing to housing, 5, 2.25mm			A132F6239S	1
09f	Shim, bearing to housing, 6, 2.30mm			A132F6240S	1
09g	Shim, bearing to housing, 7, 2.35mm			A132F6241S	1
09h	Shim, bearing to housing, 8, 2.40mm			A132F6242S	1
09i	Shim, bearing to housing, 9, 2.45mm			A132F6243S	1
10	Pin, gear to casing			A120F6216S	1
11	Oil Seal, output, RH	Also see 47.15		A132F6145S	1
12	Oil Seal, output, LH	Also see 47.15		A132F6146S	1
13	Bearing, tapered roller			A132F6162S	1
14	Bearing, tapered roller			A132F6163S	1



**EXIGE**

47.15

*Updated 21st November 2012*

# Service Parts List

# EXIGE



## Function Code 47.15 Driveshafts & Seals

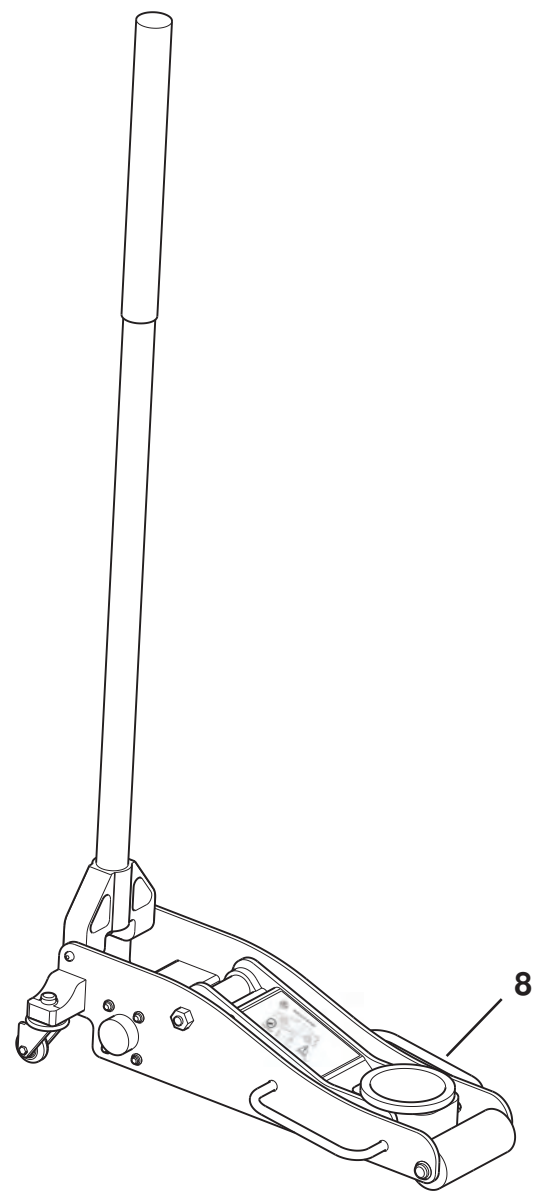
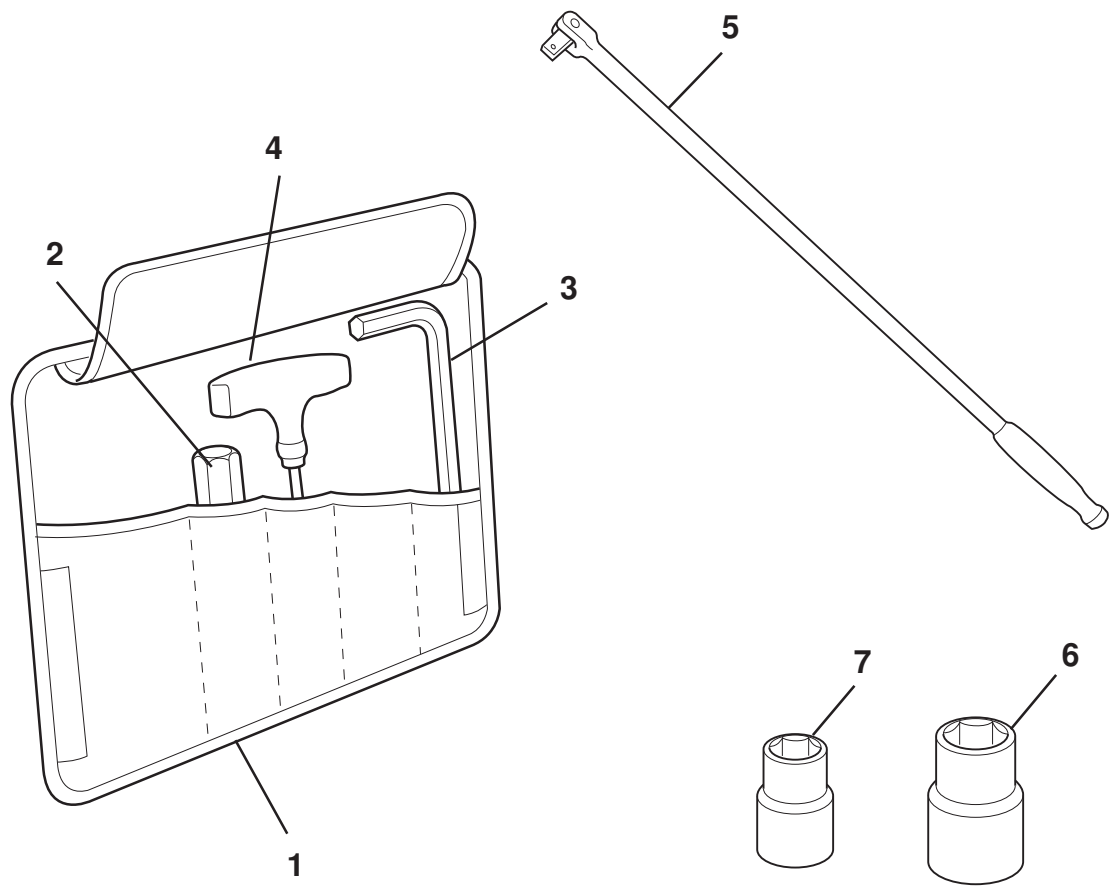
<u>Dep</u>	<u>Part Description</u>	<u>Remarks</u>	<u>Option</u>	<u>Part Number</u>	<u>Qty</u>
01	Driveshaft Assembly, LH			A138F0004F	1
01a	Driveshaft Assembly, LH	To be confirmed	Auto	A138F0038F	1
02	Driveshaft Assembly, RH			A138F0005F	1
02a	Driveshaft Assembly, RH	To be confirmed	Auto	A138F0037F	1
03	CV Joint, inner, LH	Includes gaiter, clips, snap ring and grease	Manual/Auto	A132D6011S	1
04	CV Joint kit, inner, RH	Includes gaiter, clips and grease	Manual/Auto	A132D6012S	1
05	CV Joint outer, LH	Order item 01 or 01a		Not Available	1
06	CV Joint outer, RH	Order item 02 or 02a		Not Available	1
07	Gaiter Kit, driveshaft set (inboard & outboard)	Includes clips and grease	Manual/Auto	A132D6007S	2
08	Gaiter Kit, inboard	Includes clips, snap ring, grease	Manual/Auto	A132D6008S	2
09	Bracket, intermediate drive shaft, manual			A132F0008F	1
09a	Bracket, intermediate drive shaft, auto		Auto	A132F6276F	1
10	Bolt, flg. hd., bracket to block			A132E6062H	3
11	Bolt, M10 x 50. hex. hd , bracket to shaft			A132W2045F	2
12	Locknut, M24, flange, driveshaft to hub			A132F6029F	2
13	Oil Seal, output, LH			A132F6146S	1
13a	Oil Seal, output, LH		Auto	A132F0192S	1
14	Oil Seal, output, RH			A132F6145S	1

EXIGE

---

**Function Code 47.15 Driveshafts & Seals**

<u>Dep</u>	<u>Part Description</u>	<u>Remarks</u>	<u>Option</u>	<u>Part Number</u>	<u>Qty</u>
14a	Oil Seal, output, RH		Auto	A132F0193S	1
15	Nut M10 hex flg			A132W3007F	2
16	Washer 7/16 x 7/8			B120W4199F	2
17	Circlip, driveshaft			A132F6315S	1
18	Snap Ring, drive shaft bearing bracket		Auto	A132F6277H	1
19	Bolt, flg. hd., shaft lock		Auto	A132F6278H	1



**EXIGE**  
60.01

*Updated 1st March 2016*

# Service Parts List

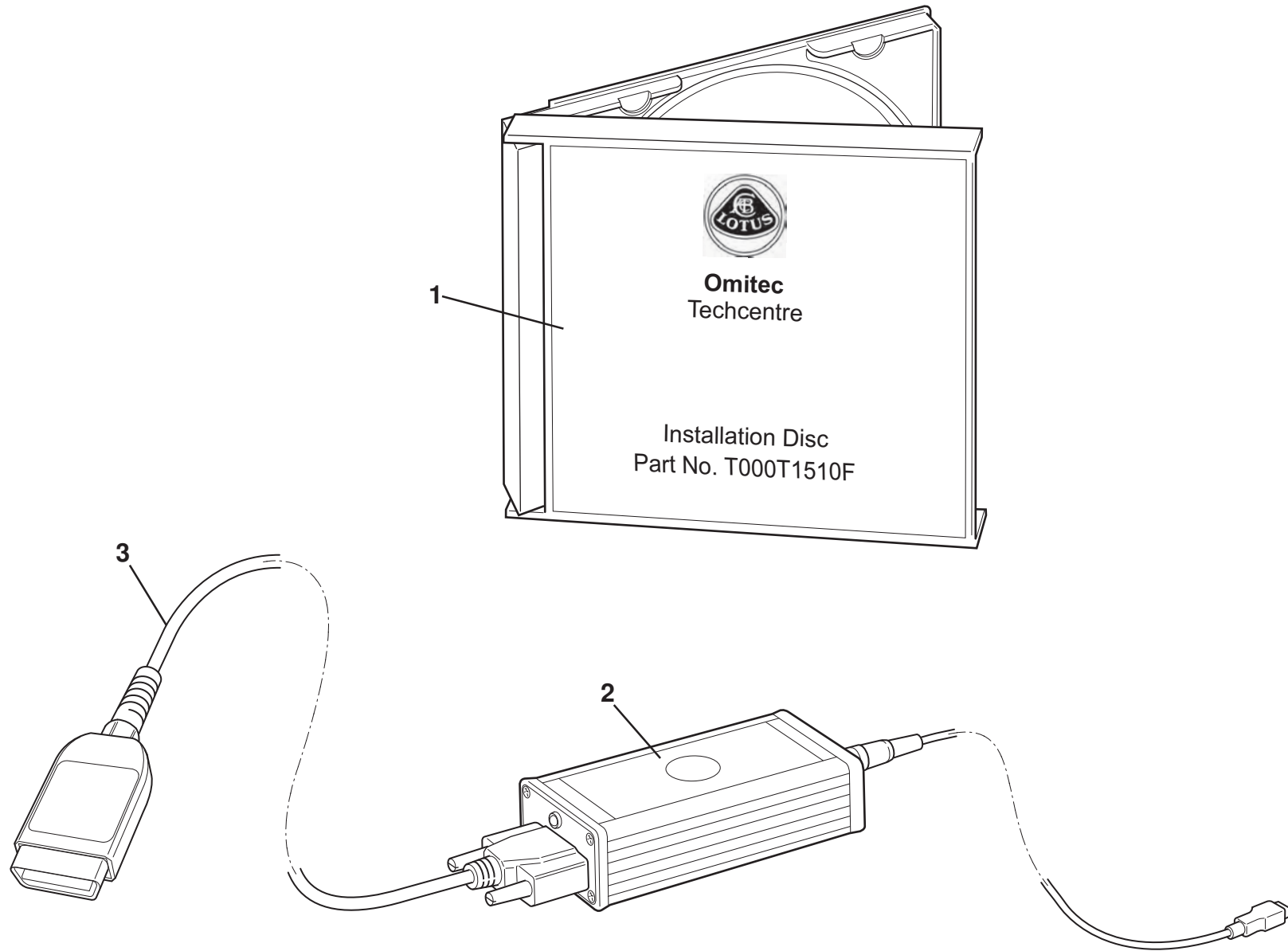
# EXIGE



## Function Code 60.01 Tool Kit

<u>Dep</u>	<u>Part Description</u>	<u>Remarks</u>	<u>Option</u>	<u>Part Number</u>	<u>Qty</u>
01	Tool Kit Complete			A138T0002J	1
02	Adaptor Key			A117G0036F	1
03	Allen Key 5 x 160mm			A117T6001H	1
04	Wrench 'T' Bar, torx 25 x 100mm			A138T6000F	1
05	Wheel Wrench	To be confirmed	Gulf States	A138T6002F	1
06	Socket 17mm	To be confirmed	Gulf States	A138T6003F	1
07	Socket 15mm	To be confirmed	Gulf States	A138T6004F	1
08	Trolley Jack	To be confirmed	Gulf States	A138T6005F	1
09	First Aid Kit	Not Illustrated, To be confirmed	Gulf States	A120T6001F	1
10	Warning Triangle	Not Illustrated, To be confirmed	Gulf States	A120T6002F	1

EXIGE



**EXIGE**  
60.01a



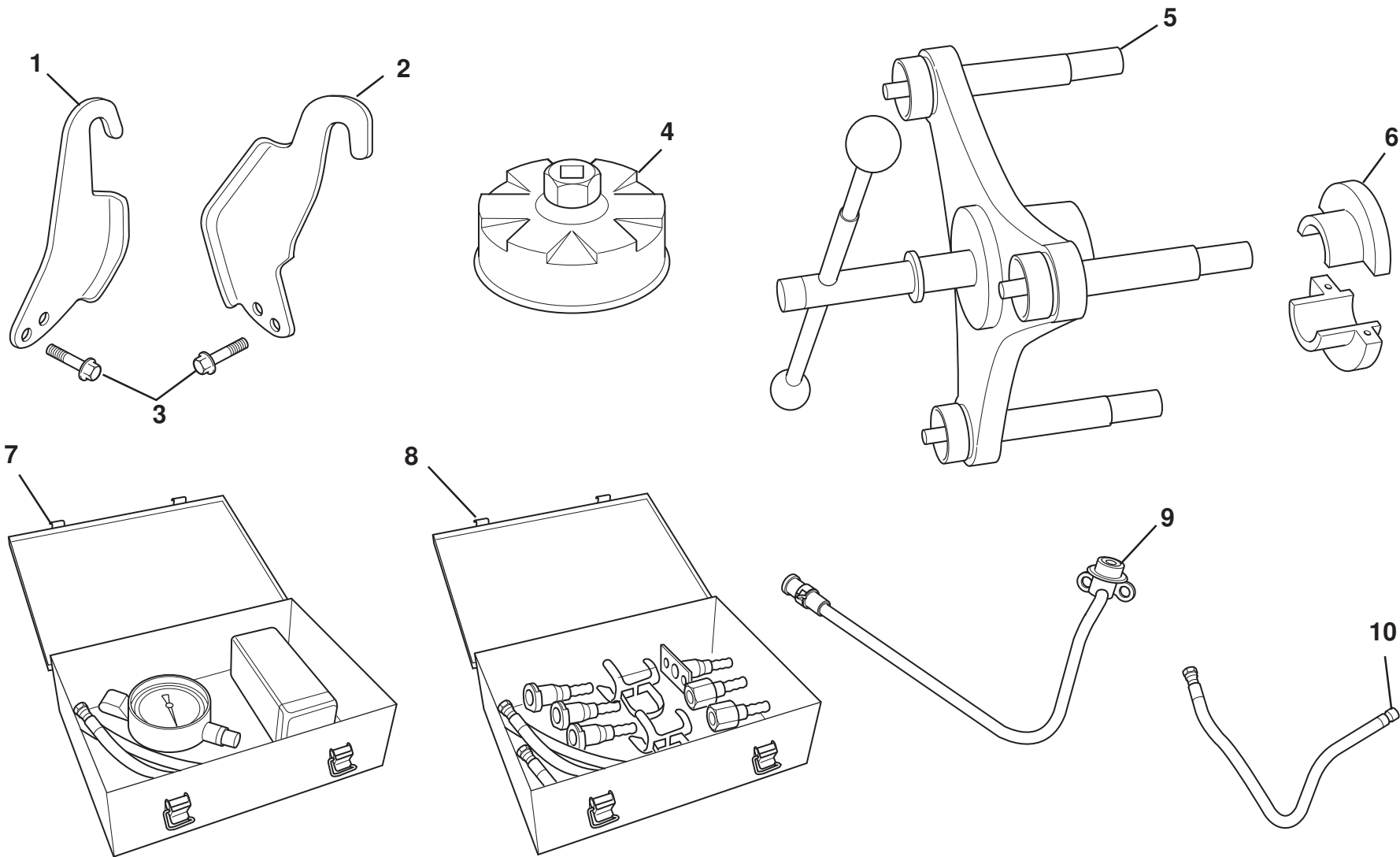
# Service Parts List

# EXIGE



## Function Code 60.01a Diagnostic Equipment

<u>Dep</u>	<u>Part Description</u>	<u>Remarks</u>	<u>Option</u>	<u>Part Number</u>	<u>Qty</u>
01	Techcentre Installation Disc			T000T1510F	1
02	Kit, Vehicle Communication Device	Includes leads (yellow, 2x USB) and case		T000T1472F	1
03	Lead, Programming communications, yellow			T000T1497F	1
04	Lead, Vehicle Communication Device (VCD) to PC	Not illustrated		T000T1537F	1



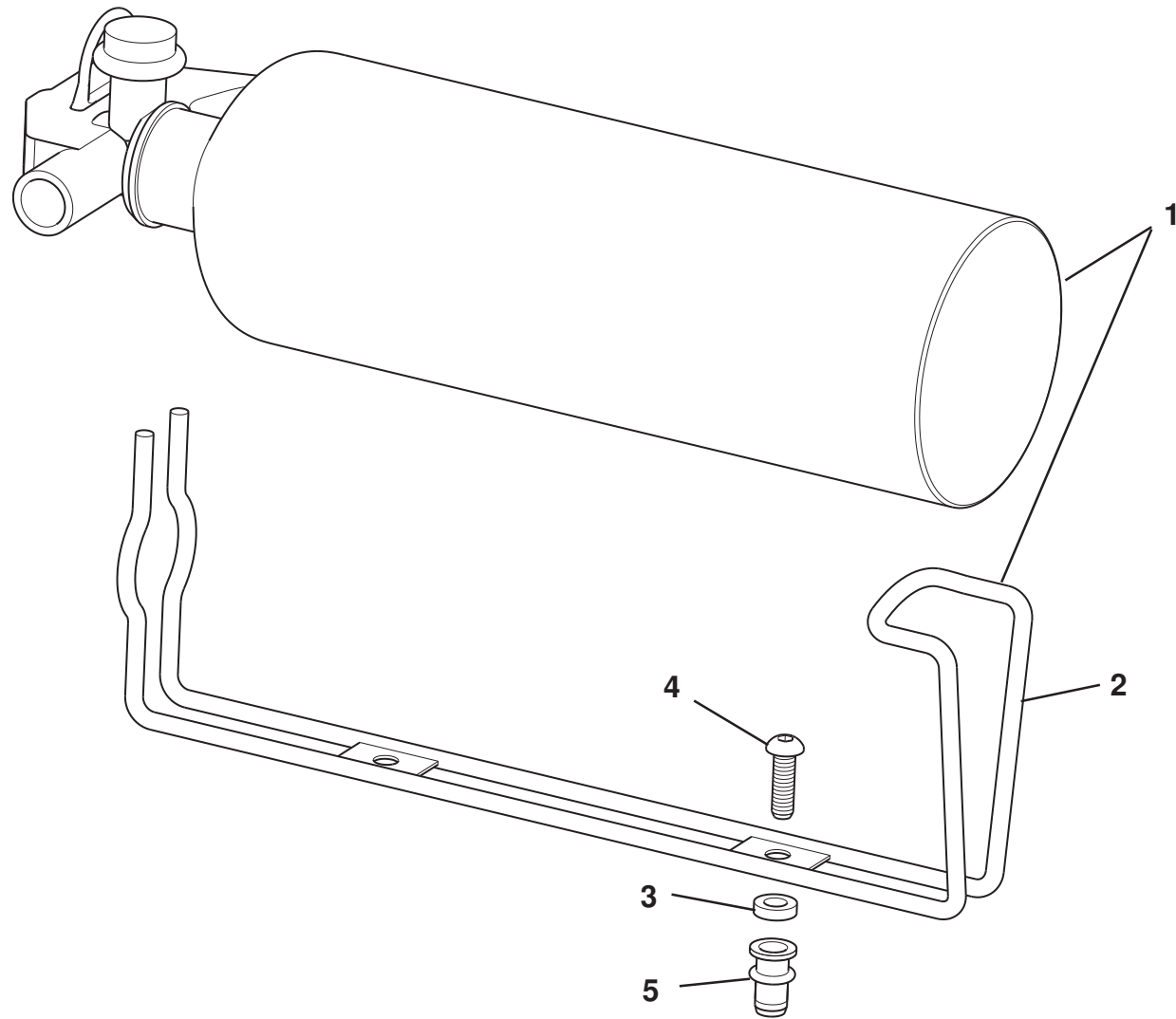
**EXIGE**  
60.02

*Updated 1st July 2014*

---

**Function Code 60.02 Special Tools**

<u>Dep</u>	<u>Part Description</u>	<u>Remarks</u>	<u>Option</u>	<u>Part Number</u>	<u>Qty</u>
01	Hanger, engine, LH			A132E6183S	1
02	Hanger, engine, RH			A132E6182S	1
03	Flange bolt, engine hanger			A132E6184S	4
04	Oil Filter Wrench			T000T1441F	1
05	Clutch Tool	For use when fitting clutch to flywheel		T000T1524F	1
06	Fuel Pipe Release Tool			T000T1450F	1
07	Fuel Gauge Kit			T000T1451F	1
08	Fuel Measure Set			T000T1452F	1
09	Fuel Tube Connector			T000T1453F	1
10	Fuel Tank Connector			T000T1454F	1



**EXIGE**

60.03

*Updated 4th January 2016*

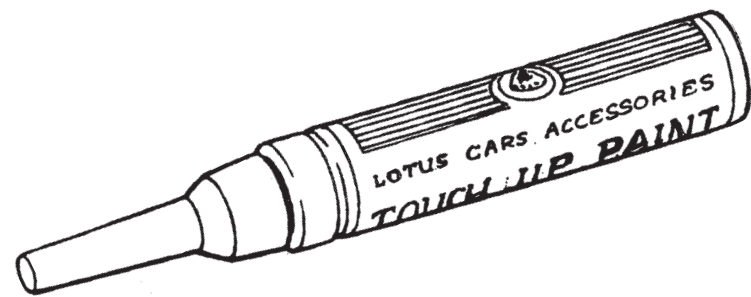
# Service Parts List

# EXIGE



## Function Code 60.03 Fire Extinguisher, Gulf States

<u>Dep</u>	<u>Part Description</u>	<u>Remarks</u>	<u>Option</u>	<u>Part Number</u>	<u>Qty</u>
01	Fire Extinguisher, GCC			A138U6001F	1
02	Bracket, extinguisher mounting	To be confirmed		A138U6002F	1
03	Spacer			A132U0496F	2
04	Screw M6 x 20 s/s skt btn hd			A100W7096F	2
05	Rivnut M6			A116W6660F	2

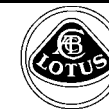


**EXIGE**

80.20a

# Service Parts List

# EXIGE



## Function Code 80.20a Touch-in Paint Pencil Range

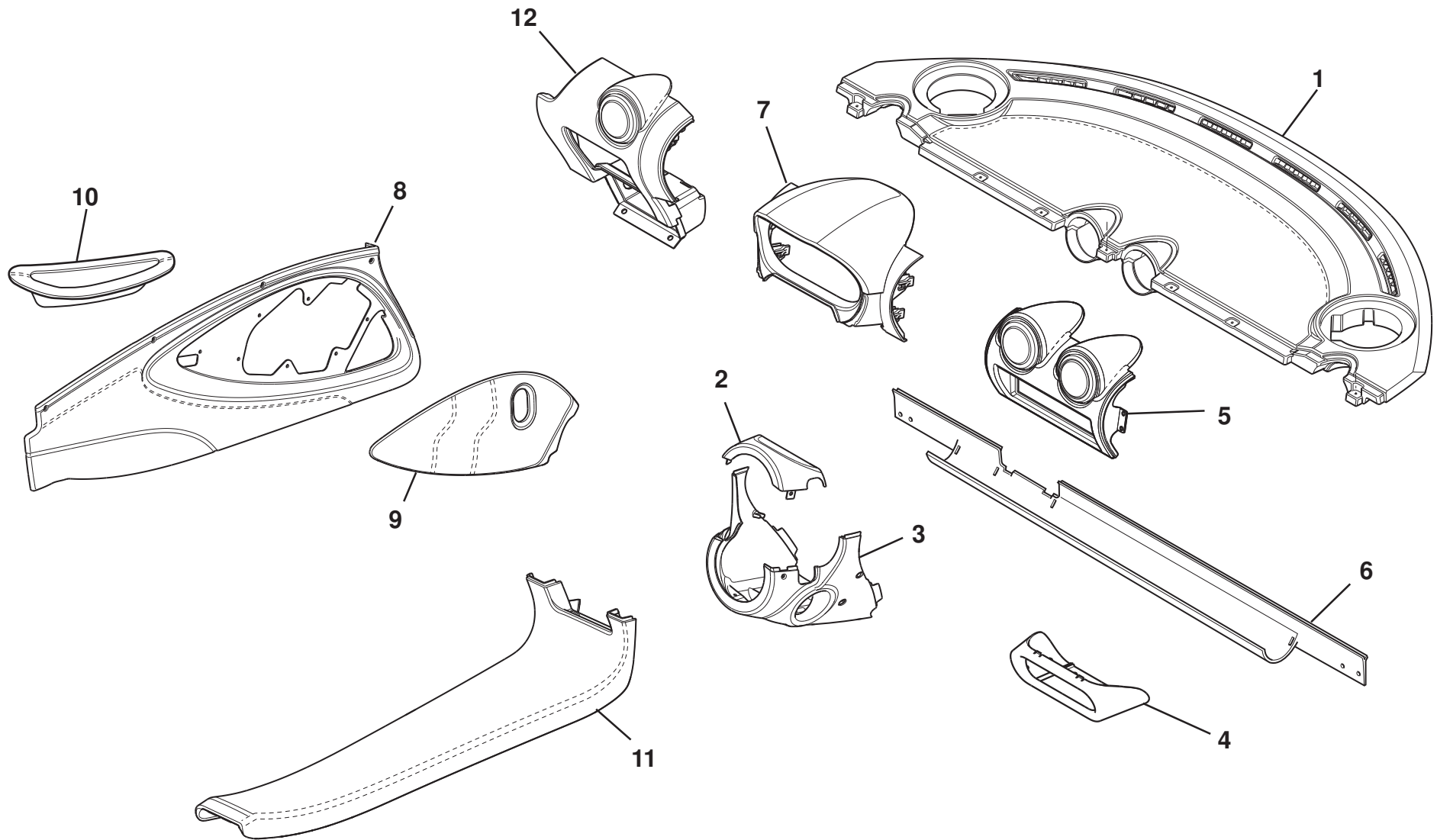
<u>Dep</u>	<u>Part Description</u>	<u>Remarks</u>	<u>Option</u>	<u>Part Number</u>	<u>Qty</u>
75	B75, Motorsport Green			A120B6086S	1
93	B93, Starlight Black Metallic			A082B6402F	1
94	B94, Ardent Red			A082B6400F	1
98	B98, Storm Titanium			A082B6408F	1
105	B105, Nightfall Blue			A082B6415F	1
111	B111, Motorsport Black			A120B6045S	1
113	B113, Aspen White			A120B6028S	1
114	B114, Solar Yellow			A120B6029S	1
119	B119, Racing Green			A120B6034S	1
120	B120, Laser Blue			A120B6035S	1
130	B130, Arctic Silver			A120B6050S	1
137	B137, Carbon Grey			A120B6062S	1
149	C149, Velvet Red			A120B6087S	1
151	C151, Sienna Brown			A120B6088S	1
152	C152 Motorsport Black metallic		LF1	A142B0019S	1
154	C154 Total Red		LF1	A120B6010S	1
158	C158, Military Grey			A120B6091S	1
161	C161, Pearl White			A120B6092S	1

---

**Function Code 80.20a Touch-in Paint Pencil Range**

<u>Dep</u>	<u>Part Description</u>	<u>Remarks</u>	<u>Option</u>	<u>Part Number</u>	<u>Qty</u>
164	C164 Mars Gold metallic		LF1	A142B0020S	1
182	C182 Metallic Exige Orange			A142B0017S	1
183	C183 Solid Red			A142B0001S	1
184	C184 Metallic White			A142B0004S	1
185	C185 Metallic Grey			A142B0005S	1
186	C186 Metallic Black			A142B0002S	1
187	C187 Metallic Yellow			A142B0006S	1
188	C188 Metallic Orange			A142B0007S	1
189	C189 Metallic Blue			A142B0008S	1
190	C190 Metallic Silver			A142B0009S	1
191	C191 Metallic Racing Green			A142B0010S	1
200	C200 Metallic Exige Orange			A142B0018S	1
201	C201 Metallic White			A142B0011S	1
202	C202 Metallic Blue			A142B0012S	1
203	C203 Metallic Racing Green			A142B0013S	1
205	C205 Metallic Orange			A142B0014S	1
206	C206 Solid Yellow			A142B0015S	1

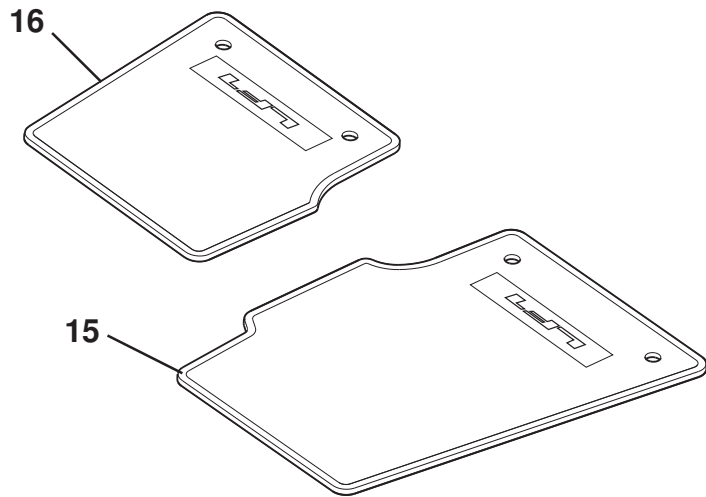
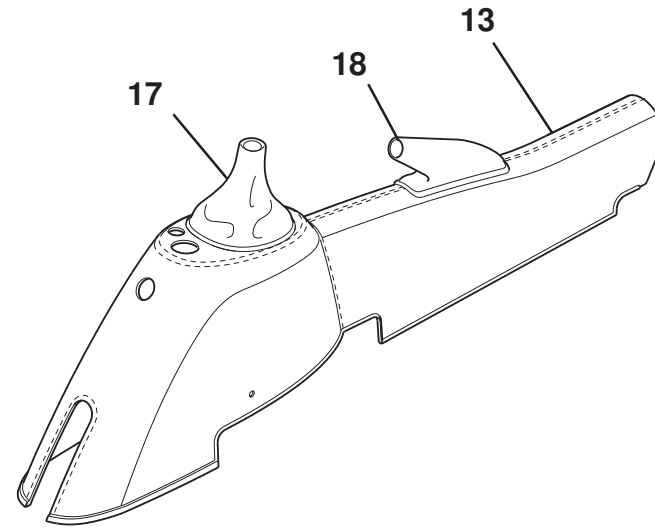
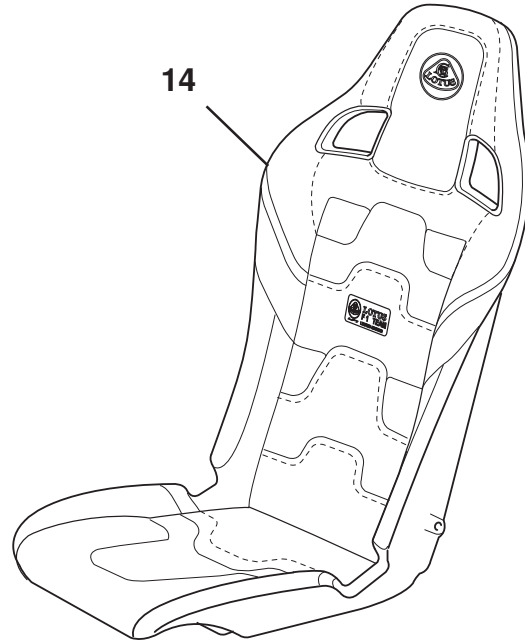




**EXIGE**

99.03 page 1

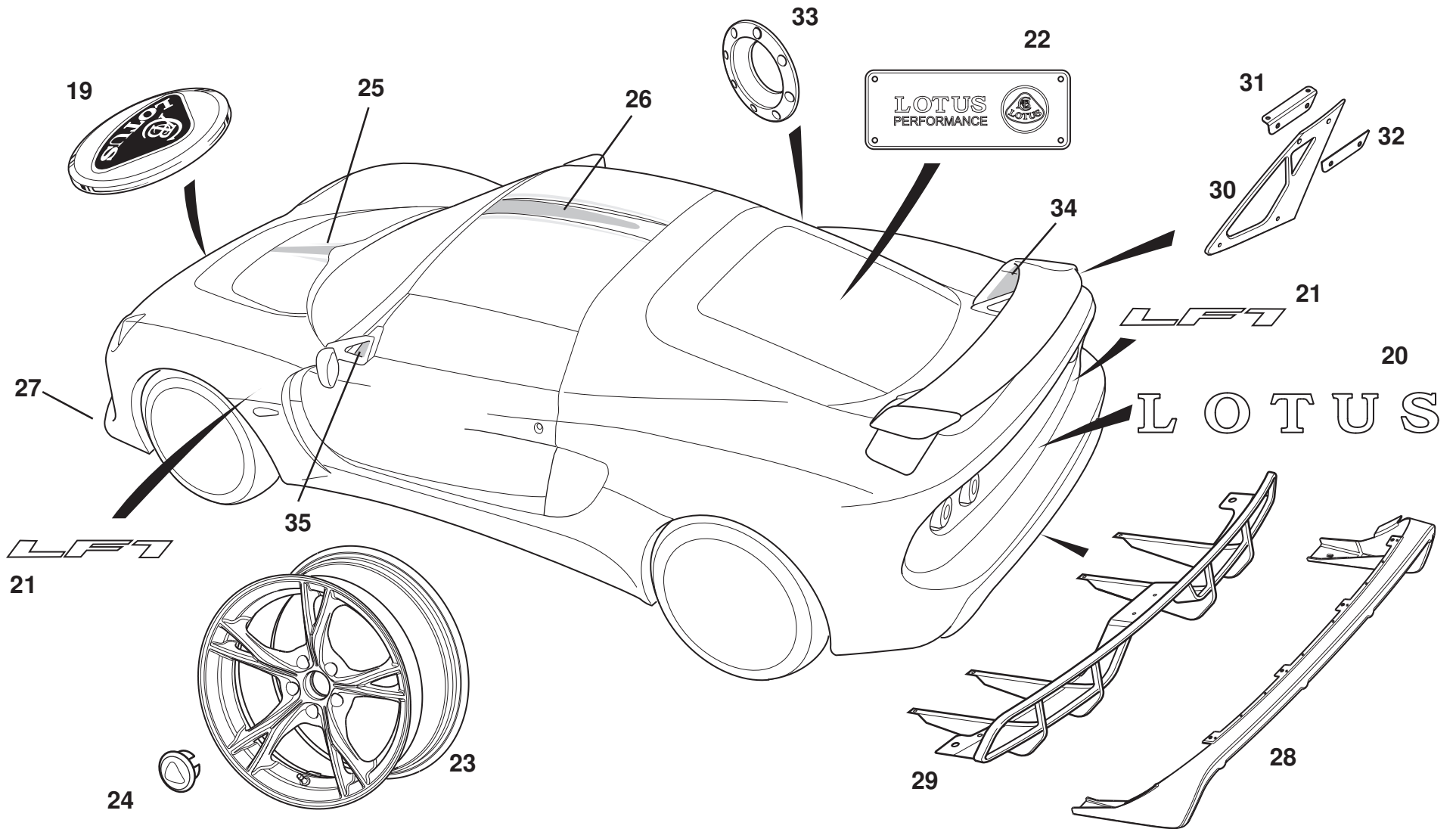
*Updated 1st July 2014*



**EXIGE**

99.03 page 2

*Updated 1st July 2014*



**EXIGE**

99.03 page 3

*Updated 1st September 2014*

# Service Parts List

# EXIGE



## Function Code 99.03 LF1

<u>Dep</u>	<u>Part Description</u>	<u>Remarks</u>	<u>Option</u>	<u>Part Number</u>	<u>Qty</u>
01	Fascia Top Panel	Gold stitching		A138V0657S	1
02	Column Cowl, upper,	Motorsport gloss black		A138V0658S	1
03	Column Cowl, lower	Motorsport gloss black		A138V0659S	1
04	Panel, heater control mounting	Motorsport gloss black		A138V0660S	1
05	Mounting Assembly, centre FLV	Gold stitching		A138V0661S	1
06	Dash Panel Lower/Stowage Shelf, LHD	Senosoft black		To be confirmed	1
06a	Dash Panel Lower/Stowage Shelf, RHD	Senosoft black		To be confirmed	1
07	Instrument Cowling	Spacer fabric & motorsport gloss black lower		A138V0662S	1
08	Assembly Door Trim Panel LH	Gold stitching		A138V4307F	1
08a	Assembly Door Trim Panel RH	Gold stitching		A138V4308F	1
09	Assembly Door Trim Panel Insert LH	Gold stitching		A138V4309F	1
09a	Assembly Door Trim Panel Insert RH	Gold stitching		A138V4310F	1
10	Trim Panel, interior door pull recess, LH	Gold stitching		A138V4311S	1
10a	Trim Panel, interior door pull recess, RH	Gold stitching		A138V4310S	1
11	Sill Trim Panel, LH	Gold stitching		A138V4305S	1
11a	Sill Trim Panel, RH	Gold stitching		A138V4306S	1
12	'A' Post Trim Panel, LH	Gold stitching		A138V4313F	1
12a	'A' Post Trim Panel, RH	Gold stitching		A138V4314F	1

EXIGE

**Function Code 99.03 LF1**

<u>Dep</u>	<u>Part Description</u>	<u>Remarks</u>	<u>Option</u>	<u>Part Number</u>	<u>Qty</u>
13	Centre Console, LHD, includes gaiters	Gold stitching		A138V0663S	1
13a	Centre Console, RHD, includes gaiters	Gold stitching		A138V0664S	1
14	Front Seat Assembly, sport/premium	Gold stitching & piping		A138V0665S	2
14a	Front Seat Assembly, sport/premium, heated	Gold stitching & piping		A138V0666S	2
15	Front Floor Mat Driver, LHD	Embroidered 'LF1' logo		A138V4315F	1
15a	Front Floor Mat Driver, RHD	Embroidered 'LF1' logo		A138V4316F	1
16	Front Floor Mat Passenger, LHD,	Embroidered 'LF1' logo		A138V4317F	1
16a	Front Floor Mat Passenger, RHD,	Embroidered 'LF1' logo		A138V4318F	1
17	Gaiter, gear shift	Gold stitching		A138V0667S	1
18	Gaiter, handbrake	Gold stitching		A138V0668S	1
19	Nose Badge, Lotus logo	Black & Gold		A138U0074S	1
20	Badge 'L O T U S' raised gold letters	On rear transom		A138U0106S	1
21	Badge 'L' raised gold	On rear transom & above side markers, Also order relvent template see items 38,39		A138U0064S	3
21a	Badge 'F' raised gold	On rear transom & above side markers, Also order relvent template see items 38,39		A138U0065S	3
21b	Badge '1' raised gold	On rear transom & above side markers, Also order relvent template see items 38,39		A138U0066S	3
22	Badge Supercharger	Carbon		To be confirmed	1
23	Wheel Front 7.5J x17 ET26.3, five Y spoke, cast matt gold		To be confirmed	A138G0068F	2



**Function Code 99.03 LF1**

<u>Dep</u>	<u>Part Description</u>	<u>Remarks</u>	<u>Option</u>	<u>Part Number</u>	<u>Qty</u>
23a	Wheel Rear 9.5J x18 ET35, five Y spoke, cast matt gold		To be confirmed	<b>A138G0069F</b>	2
24	Wheel Centre Cover, Lotus logo	Black & Gold		<b>A138G0071S</b>	4
25	Stencil stripes, front access panel			<b>A138B0581S</b>	1
26	Stencil stripes, hard top			<b>A138B0583S</b>	1
27	Splitter Front flexible	Total Red		<b>A138B0582S</b>	1
28	Diffuser finisher	Gloss Black	To be confirmed	<b>A132U0992S</b>	1
29	Diffuser Grille Surround Assembly	Gloss Black	To be confirmed	<b>A132U0993S</b>	1
30	Upright Rear Wing, matt gold			<b>To be confirmed</b>	2
31	Bracket, wing to upright LH			<b>To be confirmed</b>	1
31a	Bracket, wing to upright RH			<b>To be confirmed</b>	1
32	Plate Rear Wing, matt gold			<b>To be confirmed</b>	2
33	Finisher Ring, cap to clamshell, matt gold			<b>To be confirmed</b>	1
34	Stencil Rear Wing LH			<b>A138B4399S</b>	1
34a	Stencil Rear Wing RH			<b>A138B4400S</b>	
35	Stencil Mirror Plinth LH			<b>A138B4401S</b>	1
35a	Stencil Mirror Plinth RH			<b>A138B4402S</b>	1
36	Screw M5 x 12 cap hd, plate to supercharger			<b>A138W5009F</b>	4
37	Washer M5, plate to supercharger			<b>A138W4004F</b>	4
38	Template side maker badge 'LF1'	Not illustrated			1
39	Template rear transom badge 'LF1'	Not illustrated			1

